

We reserve the right to change or revise specifications and product design in connection with any feature of our products. Such changes do not entitle the buyer to corresponding changes, improvements, additions or replacements for equipment previously sold or shipped.

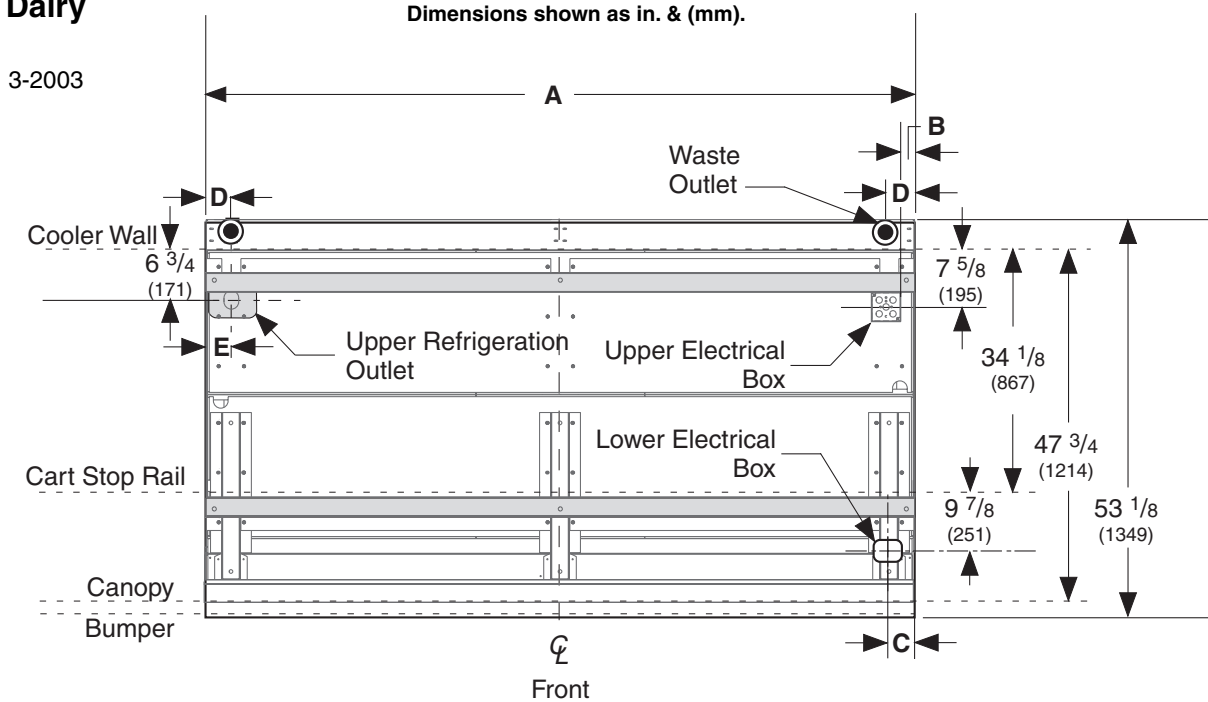
Item	Part #	Description	Wiring Item #	Item	Part #	Description	Wiring Item #
<b>FAN ASSEMBLIES AND THERMOSTATS</b>				<b>LAMPS AND BALLASTS</b>			
A.	0378349	Fan Motor, Discharge (MO.4410104)	(1)	D.	0428648	Ballast, 2 lamp Electronic (BA.4480823)	(4)
	0315470	Fan Blade (FB.0315470)		D.	0428649	Ballast, 3 lamp Electronic (BA.0428649)	(4)
B.	0047000	Fan Motor, Return (MO.4410103)	(2)	E.		Fluorescent Lamp <i>Replace with like fixtures</i>	(5)
	0315470	Fan Blade (FB.0315470)					
C.	0137880	Optional Adjustable Refrigeration Thermostat (CT.4481084)	(3)				

**Rev. B added NSF certification & Aftermarket part numbers.**

# Engineering Plan Views

NOTE: When joining D5 models with D5RRI or D5RRIS models, the drain location for the D5 must be moved forward 2.325 inches (59 mm) to allow fronts to align.

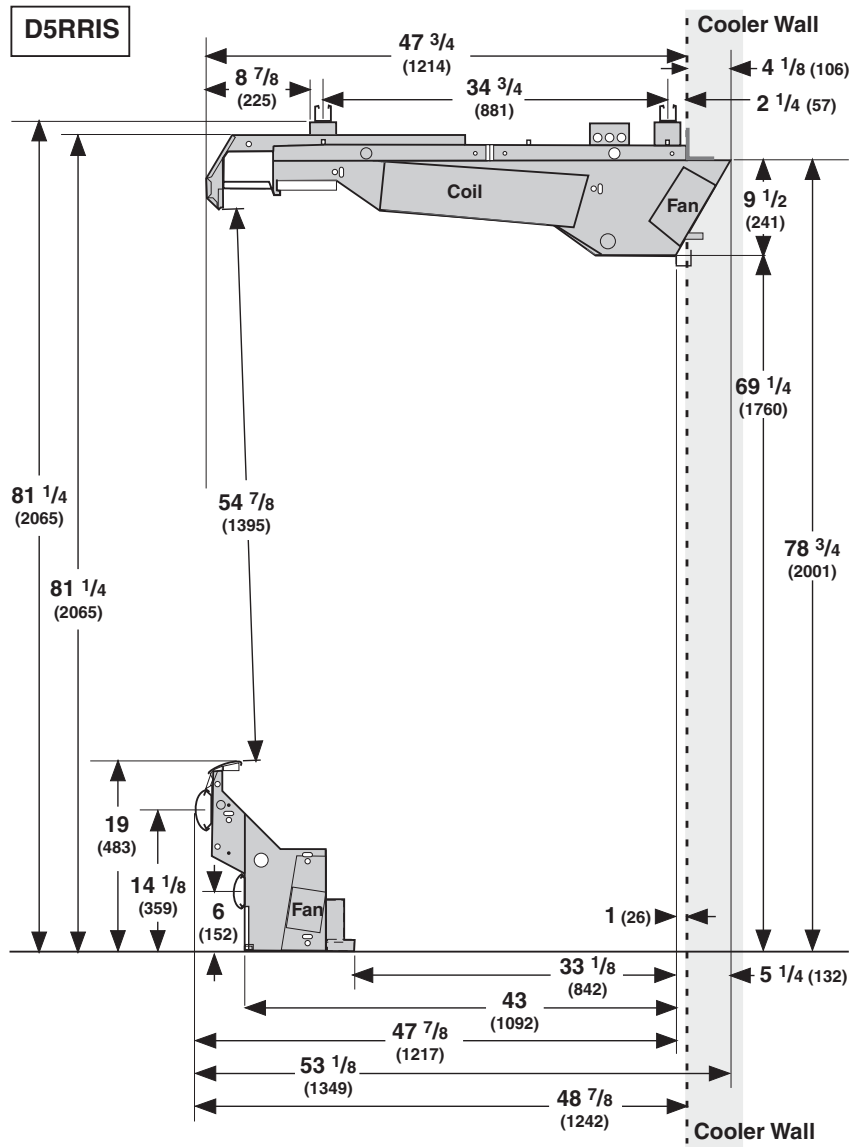
## Suspended Roll-in Rear Load Dairy



	8 ft	12 ft
<b>General</b>		
<b>(A)</b> Case Length*	96 3/8 (2448)	144 1/2 (3670)
Maximum O/S dimension of case back to front (Note: Includes bumper and wall)	53 1/8 (1349)	53 1/8 (1349)
Back of case to O/S edge of front bumper	48 7/8 (1241)	48 7/8 (1241)
Back of case to front of splashguard	44 (1118)	44 (1118)
* Each End and Insulated Partition adds 1 1/2 in. (38 mm) to the length of the lineup.		
<b>Electrical Service</b> ** Electrical Field Wiring Connection Point		
Back of case (wall) to center of 4x4x2 Electrical box	7 5/8 (195)	7 5/8 (195)
<b>(B)</b> RH End of case to center of 4x4x2 Upper Electrical box	2 1/2 (64)	2 1/2 (64)
<b>(C)</b> RH End of case to center of Lower Electrical box	3 1/8 (79)	3 1/8 (79)
<b>Waste Outlet</b>		
<b>(D)</b> End of case to the center of waste outlet	1 1/4 (32)	1 1/4 (32)
Outside diameter of the drip pipe	7/8 (22)	7/8 (22)
<b>Refrigeration Outlet</b>		
Back of case (wall) to center of refrigeration outlet	6 3/4 (171)	6 3/4 (171)
<b>(E)</b> LH end of case to center of refrigeration outlet	3 1/2 (89)	3 1/2 (89)
Outside diameter of the liquid line	3/8 (10)	3/8 (10)
Outside diameter of the suction line	7/8 (22)	7/8 (22)

**Impact D5RRIS**  
Dairy

Dimensions shown as in. & (mm).



**NSF Certification**

These merchandisers are manufactured to meet ANSI /National Sanitation Foundation (NSF®) Standard #7 requirements.

**REFRIGERATION DATA**

**Note:** This data is based on store temperature and humidity that does not exceed 75°F and 55% R.H.

	<b>D5RRIS</b>
<b>Discharge Air (°F)</b>	32
<b>Evaporator (°F)</b>	21
<b>Unit Sizing (°F)</b>	19

**Important Note:** Btu numbers are for the D5RRIS when installed to a cooler operating at a 36°F air temperature. The unit cooler coil must be sized for an **additional load of 800 Btu/hr/ft of D5RRIS case** installed to the cooler.

<i>Btu/hr/ft</i>	<b>D5RRIS</b>
	<b>Roll-in Dairy Carts</b>
<b>Parallel</b>	1035
<b>Conventional</b>	1200

**DEFROST DATA**

	<b>D5RRIS</b>
<b>Frequency (hr)</b>	6
<b>Defrost Water (lb/ft/day)</b>	6
<i>(± 15% based on case configuration and product loading).</i>	

<i>OFFTIME</i>	<b>D5RRIS</b>
<b>Time Terminated (minutes)</b>	50
<b>ELECTRIC OR GAS</b>	Not Recommended
<b>Standard Defrost Thermostat</b>	— NA

**CONVENTIONAL CONTROLS**

<b>Low Pressure Backup Control</b>	<b>D5RRIS</b>
<b>CI/CO (Temp °F)*</b>	14/4
<b>Indoor Unit Only, Pressure Defrost Termination (Temp °F)*</b>	NA

\*Use a Temperature Pressure Chart to determine PSIG conversions.

**PHYSICAL DATA**

Merchandiser Drip Pipe (in.)	7/8
Merchandiser Liquid Line (in.)	3/8
Merchandiser Suction Line (in.)	7/8

**Estimated Charge (lb)\*\***

<b>8 ft</b>	2.7
<b>12 ft</b>	3.9

\*\*This is an average for all refrigerant types. Actual refrigerant charge may vary by approximately half a pound.

<b>Length (in.) added to Lineup by Each End or Insulated Partition</b>	1 1/2
--	-------

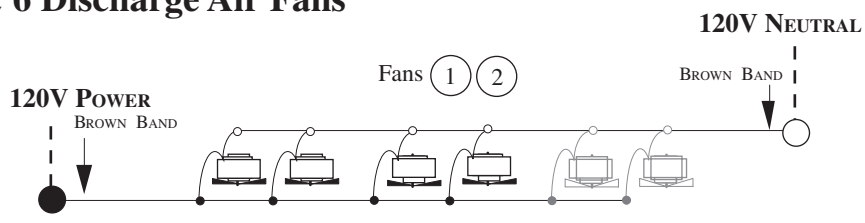
<b>Impact Dairy</b> <b>D5RRIS</b>
--------------------------------------

**Electrical Data**

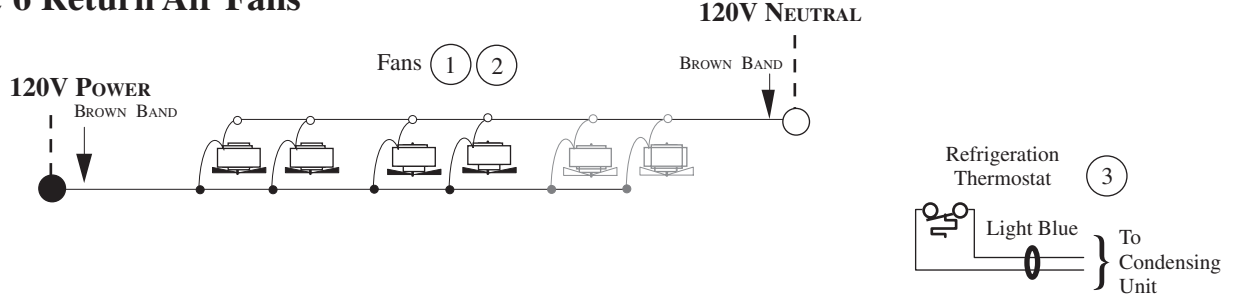
	8 ft	12 ft		
<b>Number of Fans</b>				
Discharge – 9W	4	6		
Return – 9W	4	6		
<b>Amperes</b>				
Merchandise	8 ft	12 ft	8 ft	12 ft
<b>Fans (Discharge)</b>				
Standard	3.08	4.62	248	372
Energy Efficient	1.52	2.28	100	150
<b>Fans (Return)</b>				
Standard	2.20	3.30	200	300
Energy Efficient	1.52	2.28	100	150
<b>Constant On Anti-sweat Heaters</b>				
	NA	NA	NA	NA
<b>Cycling Anti-sweat Heaters</b>				
	NA	NA	NA	NA
<b>Minimum Circuit Ampacity</b>				
With Standard Fans (60 hz)	5.5	8.2		
With Energy Efficient Fans	3.3	4.8		
<b>Maximum Over Circuit Protection 120V</b>				
	20	20		
<b>208V 1Φ Electric Defrost</b>				
	NA	NA		
<b>Standard Lighting</b>				
1 Row Canopy	0.51	0.77	59	85
<b>Optional Lighting</b>				
1 Row Canopy and 1 Row Rail	1.02	1.54	118	170
2 Rows Canopy	1.02	1.54	118	170
2 Row Canopy and 1 Row Rail	1.53	2.31	177	255
<b>Shelf Lighting</b>				
2 Rows	1.02	1.54	118	170

# Fan Wiring Offtime Defrost

## 4 & 6 Discharge Air Fans

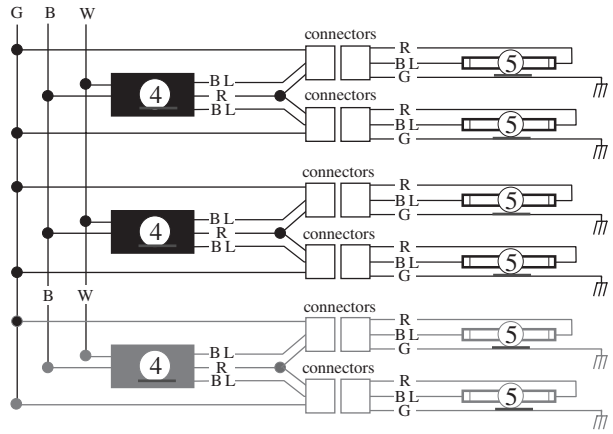


## 4 & 6 Return Air Fans



## Optional Shelf Harness and Light Circuits

# Shelf Lighting



### WARNING

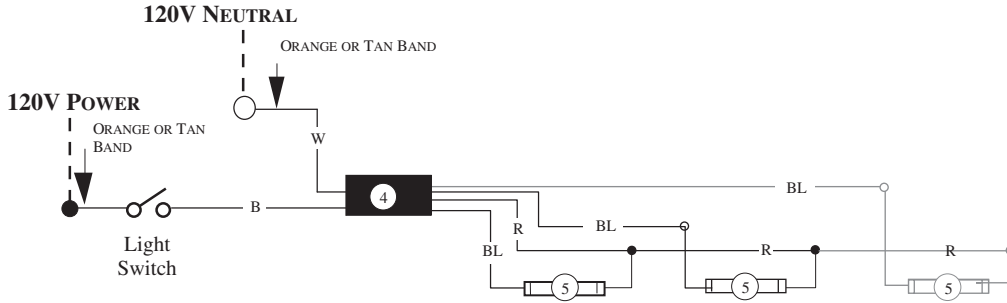
All components must have mechanical ground, and the merchandiser must be grounded.  
 Circled Numbers = Parts List Item Numbers  
 Grayed components in 12 foot models only.

R = Red    G = Green    BL = Blue    B = Black    W = White

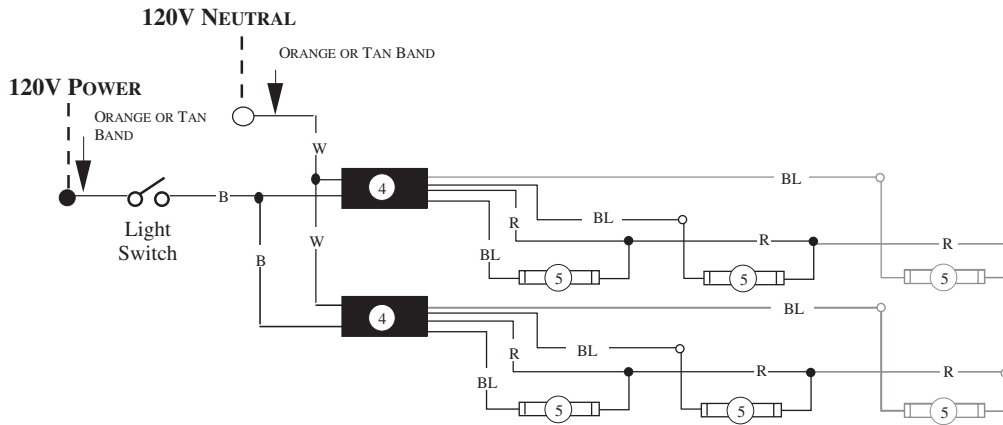
● = 120V POWER    ○ = 120V NEUTRAL    ≡ = Field GROUND    ≡≡ = Case GROUND

# Light Circuits

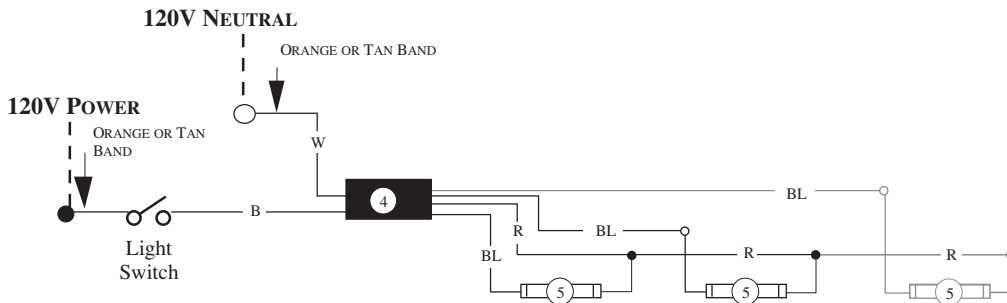
## Standard Lighting: 1 Row Canopy



## Optional Lighting: 2 Rows Canopy



## Optional Lighting: 1 Row Rail



### WARNING

All components must have mechanical ground, and the merchandiser must be grounded.

CIRCLED NUMBERS = PARTS LIST ITEM NUMBERS

Grayed components in 12 foot models only.

R = Red Y = Yellow G = Green BL = Blue B = Black W = White