

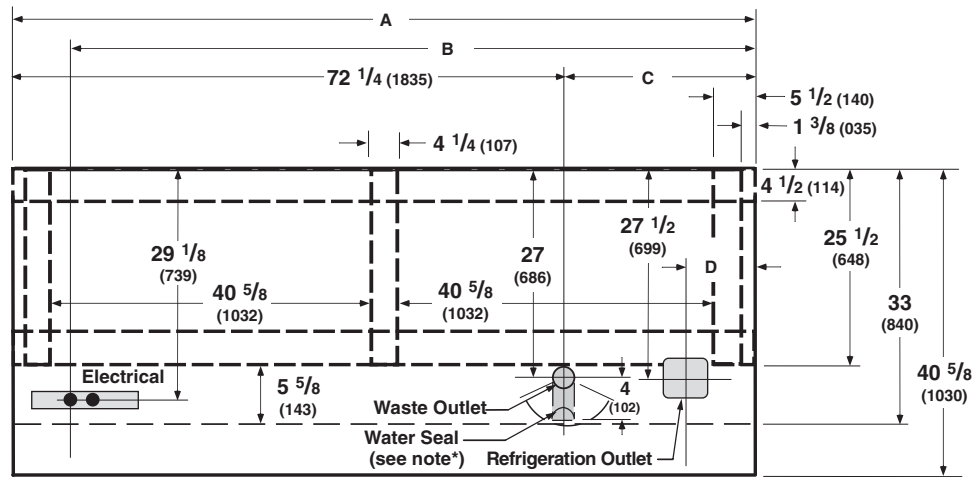
Item	Part #	Description	Wiring Item #	Item	Part #	Description	Wiring Item #
FAN ASSEMBLIES AND THERMOSTATS				LAMPS AND BALLASTS			
A.	9W Fan Assembly		(1)	D.	0376409	Ballast, 2 lamps	(4)
	0047000	Fan Motor, Evaporator		D.	0376410	Ballast, 3 lamps	(4)
	0401532	Fan Blade embossing toward motor		D.	0376411	Ballast, 4 lamps	(4)
B.	0411744	Standard Non-adjustable Defrost Thermostat	(2)	E.		Fluorescent Lamp <i>Replace with like fixtures</i>	(5)
C.	0137880	Optional Adjustable Refrigeration Thermostat	(3)				





Engineering Plan Views

Dimensions shown as in. & (mm).

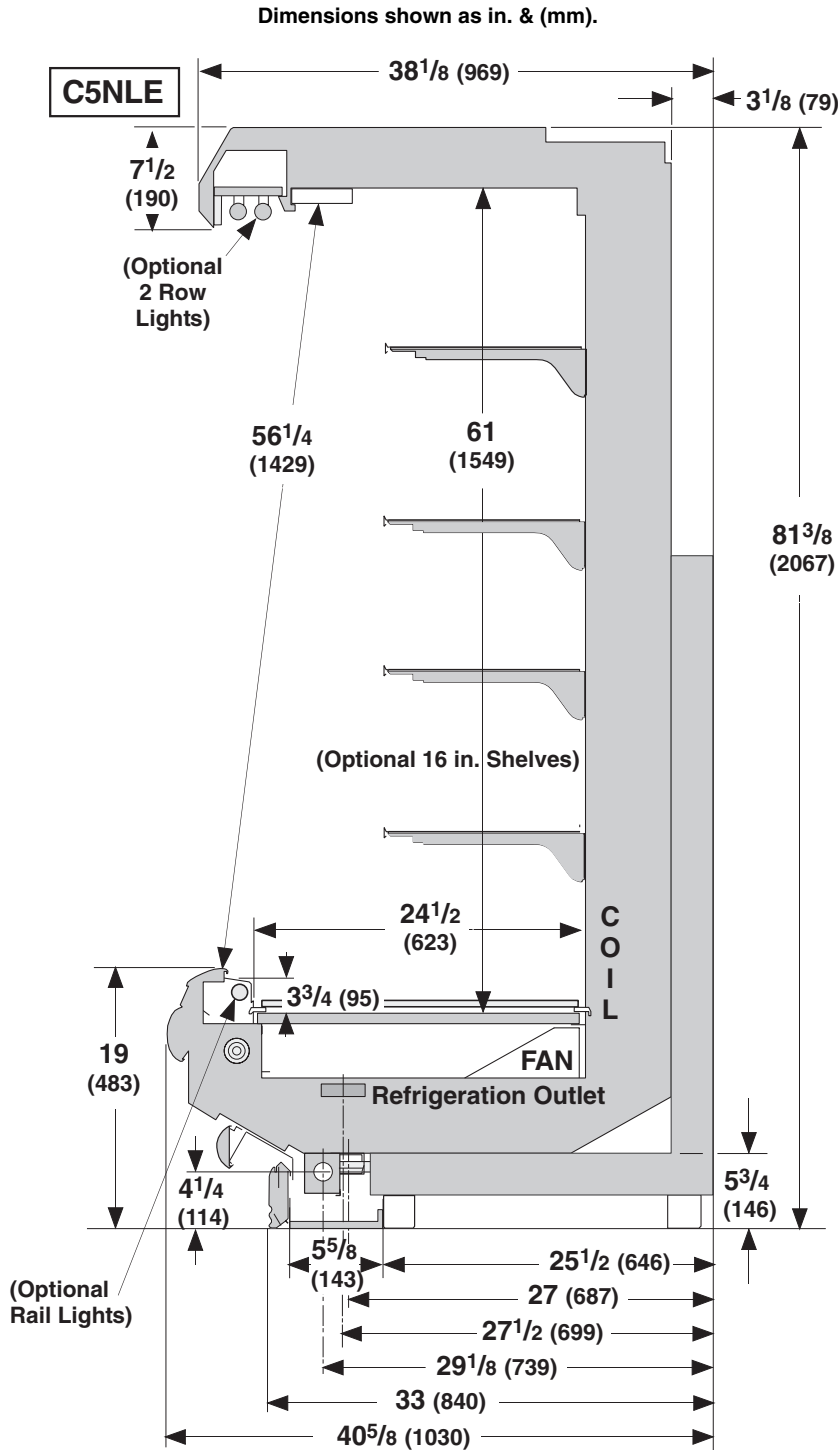
C5NLE Narrow Footprint Convertible Dairy and Delicatessen

5-2003



General	8 ft	12 ft
	(A) Case Length (<i>without ends or partitions</i>)	96 ³ / ₈ (2448)
Maximum O/S dimension of case back to front (<i>includes bumper</i>)	40 ⁵ / ₈ (1030)	40 ⁵ / ₈ (1030)
Back of case to front of splashguard	33 (840)	33 (840)
Back of case to O/S edge of front skid rail	25 ¹ / ₂ (646)	25 ¹ / ₂ (646)
Width of skid rail	4 ¹ / ₂ (114)	4 ¹ / ₂ (114)
RH end of case to outside edge of external support	5 ¹ / ₂ (140)	5 ¹ / ₂ (140)
Distance between edges of external support and center support	40 ⁵ / ₈ (1032)	40 ⁵ / ₈ (1032)
Distance between edges of center supports	NA	44 (1118)
Stub-up area between front skid rail and splashguard	5 ⁵ / ₈ (143)	5 ⁵ / ₈ (143)
Electrical Service  (<i>Electrical Field Wiring connection point</i>)		
(B) RH End of case to center of farthest knockout	88 ³ / ₈ (2245)	136 ¹ / ₂ (3467)
(C) Back of case to center of knockout	29 ¹ / ₈ (739)	29 ¹ / ₈ (739)
Length of electrical raceway	35 ⁵ / ₈ (903)	35 ⁵ / ₈ (903)
Waste Outlet 		
(D) RH End of case to the center of waste outlet	24 ¹ / ₈ (613)	74 ¹ / ₄ (1835)
LH End of case to the center of waste outlet	74 ¹ / ₄ (1835)	74 ¹ / ₄ (1835)
Water Seal 		
Edge of water seal to center of waste outlet	4 (102)	4 (102)
Outside diameter of the drip pipe	1 ¹ / ₂ (38)	1 ¹ / ₂ (38)
<i>*NOTE: Water seal outlet must clear front skid rail; water seal rotation in forward direction only due to low base.</i>		
Refrigeration Outlet 		
Back of case to center of refrigeration outlet	27 ¹ / ₂ (699)	27 ¹ / ₂ (699)
(E) RH end of case to center of refrigeration outlet	9 (230)	9 (230)

Impact C5NLE
Dairy / Delicatessen



NOTE: The bumper is 4 in. (102 mm) wide. The center of the top bumper is 14 1/8 in. (359 mm) from the floor and the center of the bottom bumper is 6 in. (152 mm) from the floor.

NSF Certification

These merchandisers are manufactured to meet ANSI /National Sanitation Foundation (NSF®) Standard #7 requirements.

REFRIGERATION DATA

Note: This data is based on store temperature and humidity that does not exceed 75°F and 55% R.H.

	C5NLE	
	Deli	Dairy
Discharge Air (°F)	29	31
Evaporator (°F)	21	24
Unit Sizing (°F)	19	22

Btu/hr/ft*	C5NLE	
LIT & UNLIT SHELVES	Deli	Dairy
Parallel	1580	1500
Conventional	1720	1635
HUSSMANN PEG SHELVES		
Parallel	1630	NA
Conventional	1760	NA

*For all refrigeration equipment other than Hussmann, use conventional Btu values.

DEFROST DATA

	C5NLE
Frequency (hr)	6
Defrost Water (lb/ft/day)	10.25

(± 15% based on case configuration and product loading).

OFFTIME	C5NLE
Temp Term (°F)	48°F
Failsafe (minutes)	35

ELECTRIC OR GAS Not Recommended

Standard Defrost Thermostat

Close on rise: close 48°F — open 33°F

CONVENTIONAL CONTROLS

Low Pressure Backup Control	C5NLE	
CI/CO**	Deli	Dairy
	14°F / 4°F	17°F / 7°F

Indoor Unit Only, Pressure Defrost Termination** 48°F

**Use a Temperature Pressure Chart to determine PSIG conversions.

PHYSICAL DATA

Merchandiser Drip Pipe (in.)	1 1/2
Merchandiser Liquid Line (in.)	3/8
Merchandiser Suction Line (in.)	7/8

Estimated Charge (lb)***

8 ft	3.2
12 ft	4.5

***This is an average for all refrigerant types.

Actual refrigerant charge may vary by approximately half a pound.

Length (in.) added to Lineup by Each End or Insulated Partition 1 1/2

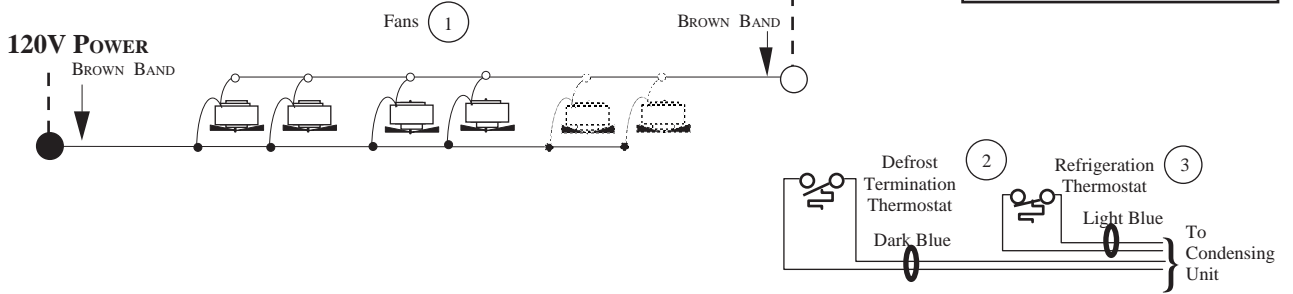
Impact C5NLE Dairy / Delicatessen
--

Electrical Data

	8 ft	12 ft		
Number of Fans — 9W	4	6		
Merchandiser	8 ft	12 ft	8 ft	12 ft
	Amperes		Watts	
Fans				
Standard: 120V 60 hz	2.80	4.20	220	330
Energy Efficient: 120V 60 hz	1.52	2.28	100	150
Export: 230V 50 hz	1.12	1.68	176	264
Anti-sweat Heaters				
Constant on	NA	NA		
Cycling	NA	NA		
Minimum Circuit Ampacity				
With Standard Fans	3.00	4.40		
With Energy Efficient Fans	1.72	2.48		
With Export Fans	1.32	1.88		
Maximum Over Current Protection	20	20		
Supplemental Gas Heaters	NA	NA		
208V 1Φ Electric Defrost	NA	NA		
Standard Lighting				
1 Row Canopy	0.51	0.77	59	85
Optional Lighting				
1 Row Canopy and 1 Row Rail	1.02	1.54	118	170
2 Rows Canopy	1.02	1.54	118	170
2 Rows Canopy and 1 Row Rail	1.53	2.31	177	255
1 Row Ledge Lights	0.51	0.77	59	85
Optional Shelf Lighting				
1 Row of Shelves	0.51	0.77	59	85
2 Rows of Shelves	1.02	1.54	118	170
3 Rows of Shelves	1.53	2.31	177	255
4 Rows of Shelves	2.04	3.08	236	340

Fan Wiring Off-time Defrost

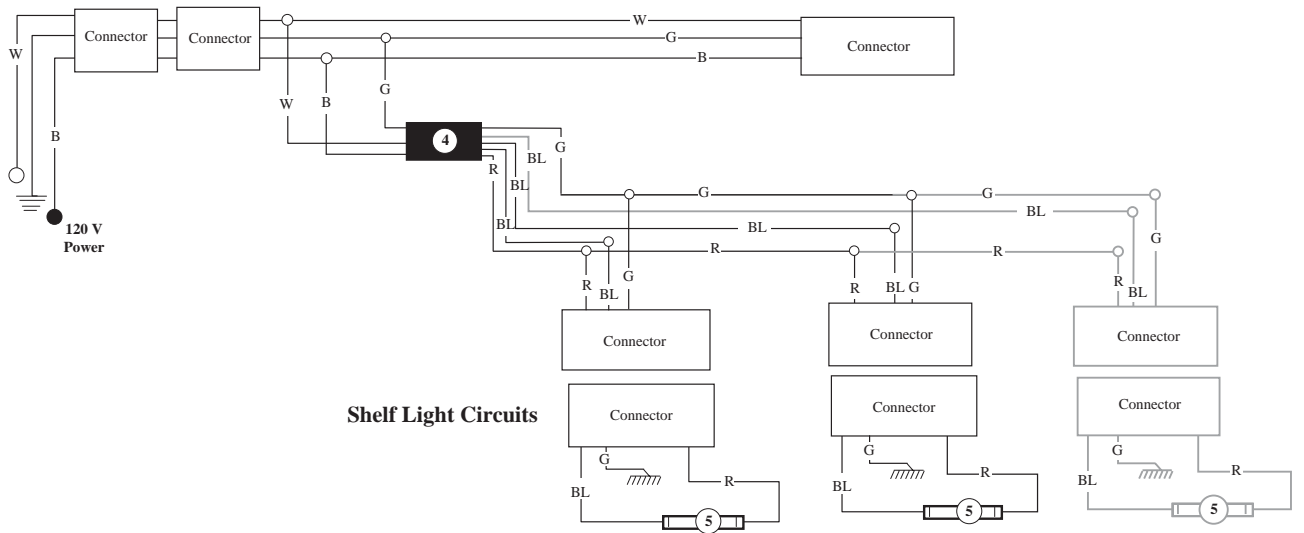
4 & 6 Fans



Optional Shelf Harness and Light Circuits for One Row of Shelves

Shelf Lighting

Shelf Harness



WARNING

All components must have mechanical ground, and the merchandiser must be grounded.

CIRCLED NUMBERS = PARTS LIST ITEM NUMBERS

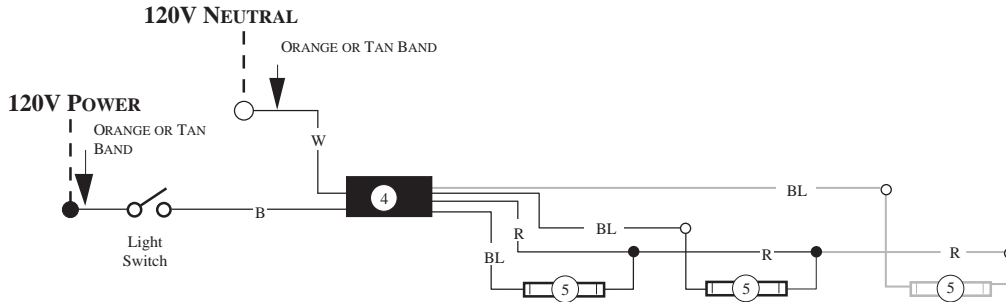
Grayed components in 12 foot models only.

R = Red Y = Yellow G = Green BL = Blue B = Black W = White

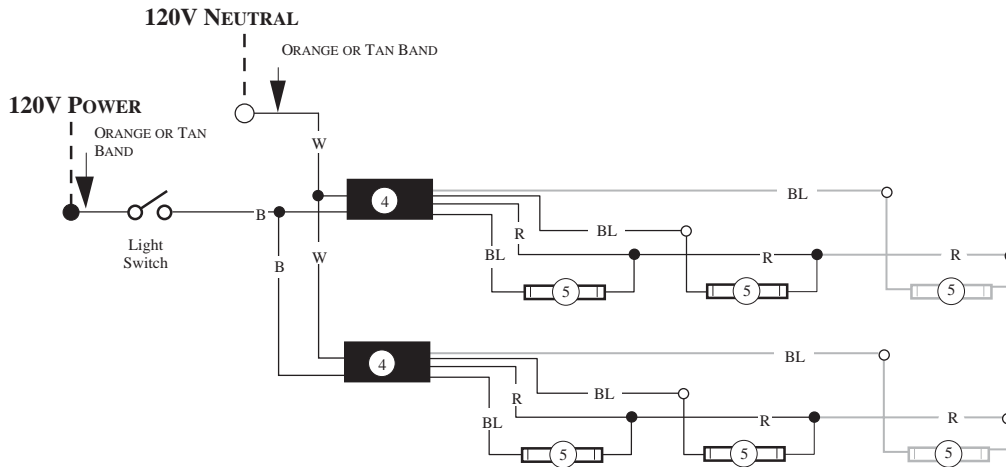
● = 120V POWER ○ = 120V NEUTRAL ≡ = Field GROUND ≡≡ = Case GROUND

Light Circuits

Standard Lighting — 1 Row Canopy Optional Lighting — 1 Row Rail or 1 Row Ledge



Optional Lighting — 2 Rows Canopy



WARNING

All components must have mechanical ground, and the merchandiser must be grounded.

CIRCLED NUMBERS = PARTS LIST ITEM NUMBERS

Grayed components in 12 foot models only.

R = Red Y = Yellow G = Green BL = Blue B = Black W = White

● = 120V POWER ○ = 120V NEUTRAL