

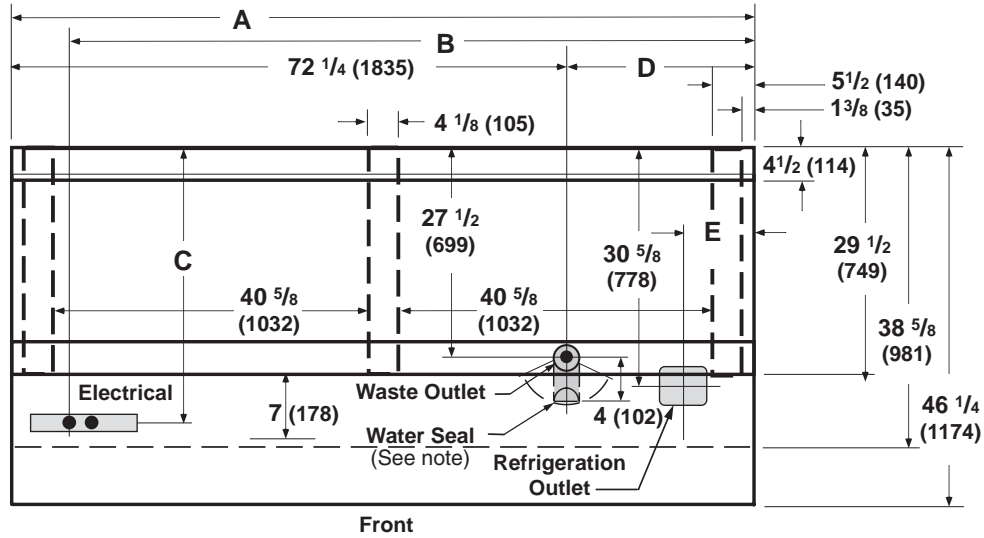
Item	Part #	Description	Wiring Item #	Item	Part #	Description	Wiring Item #
FAN ASSEMBLIES AND THERMOSTATS				LAMPS AND BALLASTS			
A.	9W Fan Assembly		(1)	D.	0376409	Ballast, 2 lamps	(4)
	0047000	Fan Motor, Evaporator		D.	0376410	Ballast, 3 lamps	(4)
	0435961	Fan Blade embossing toward motor		D.	0376411	Ballast, 4 lamps	(4)
B.	0411744	Standard Non-adjustable Defrost Thermostat	(2)	E.		Fluorescent Lamp <i>Replace with like fixtures</i>	(5)
C.	0137880	Optional Adjustable Refrigeration Thermostat	(3)				





Engineering Plan Views

Dimensions shown as in. & (mm).

Rear Stockable Dairy and Delicatessen

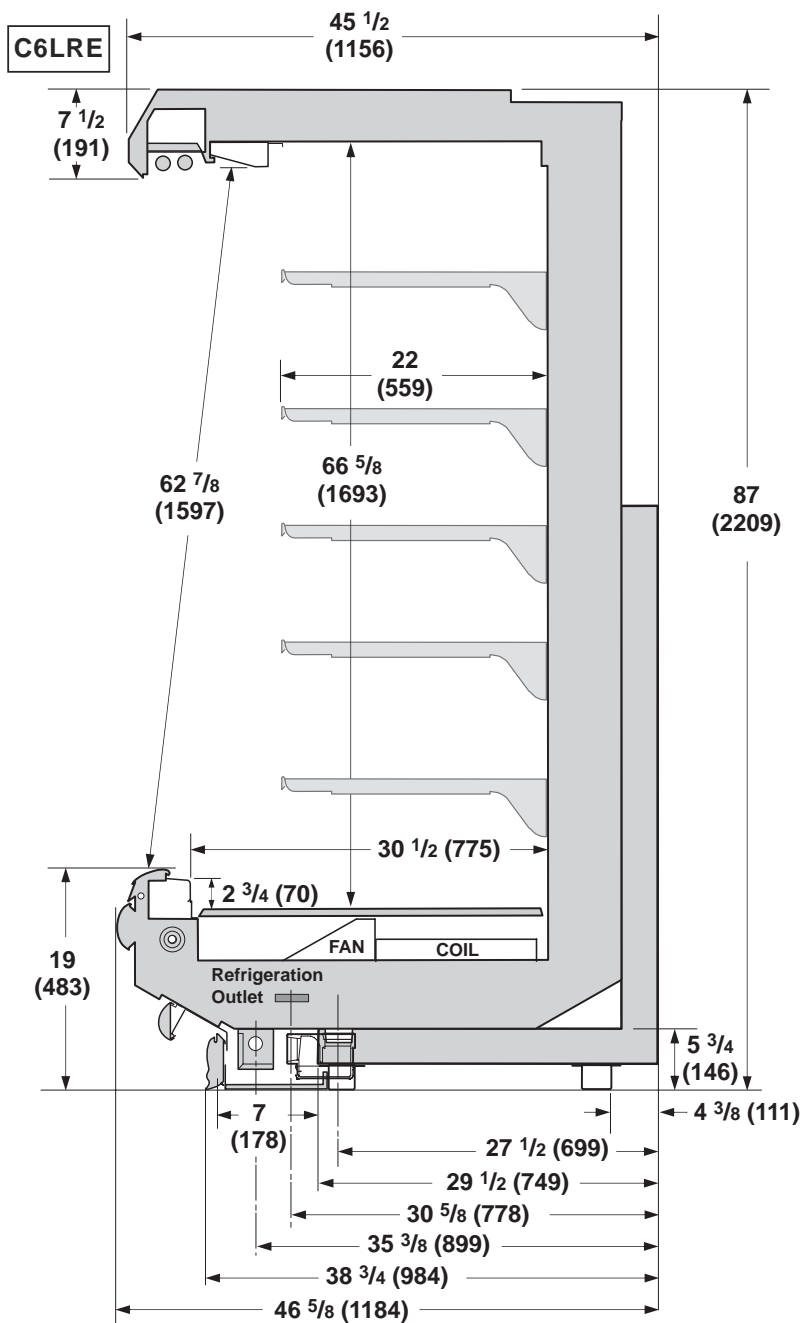
3-2003



General	8 ft	12 ft
(A) Case Length (<i>without ends or partitions</i>)	96 ³ / ₈ (2448)	144 ¹ / ₂ (3670)
Maximum O/S dimension of case back to front (<i>includes bumper</i>)	46 ¹ / ₄ (1174)	46 ¹ / ₄ (1174)
Back of case to front of splashguard	35 ⁵ / ₈ (981)	35 ⁵ / ₈ (981)
Back of case to O/S edge of front skid rail	29 ¹ / ₂ (749)	29 ¹ / ₂ (749)
Width of skid rail	4 ¹ / ₂ (114)	4 ¹ / ₂ (114)
RH end of case to outside edge of external support	5 ¹ / ₂ (140)	5 ¹ / ₂ (140)
Distance between edges of external support and center support	40 ⁵ / ₈ (1032)	40 ⁵ / ₈ (1032)
Distance between edges of center supports	NA	44 (1118)
Stub-up area between front skid rail and splashguard	7 (178)	7 (178)
Electrical Service  (<i>Electrical Field Wiring connection point</i>)		
(B) RH End of case to center of farthest knockout	88 ³ / ₈ (2245)	136 ¹ / ₂ (3467)
(C) Back of case to center of knockout	35 ³ / ₈ (899)	35 ³ / ₈ (899)
Length of electrical raceway		
Waste Outlet 		
(D) RH End of case to the center of waste outlet	24 ¹ / ₈ (613)	74 ¹ / ₄ (1835)
LH End of case to the center of waste outlet	74 ¹ / ₄ (1835)	74 ¹ / ₄ (1835)
Water Seal 		
Edge of water seal to center of waste outlet	4 (102)	4 (102)
Outside diameter of the drip pipe	1 ¹ / ₂ (38)	1 ¹ / ₂ (38)
(NOTE: Water seal outlet must clear front skid rail)		
Refrigeration Outlet 		
Back of case to center of refrigeration outlet	30 ⁵ / ₈ (778)	30 ⁵ / ₈ (778)
(E) RH end of case to center of refrigeration outlet	9 (230)	9 (230)

Impact C6LRE
Dairy / Delicatessen

Dimensions shown as in. & (mm).



NOTE: The bumpers are 4 in. (102 mm) wide. The center of the top bumper is 14 1/8 in. (359 mm) from the floor and the center of the lower bumper is 6 in. (152 mm) from the floor.

NSF Certification

These merchandisers are manufactured to meet ANSI /National Sanitation Foundation (NSF®) Standard #7 requirements.

REFRIGERATION DATA

Note: This data is based on store temperature and humidity that does not exceed 75°F and 55% R.H.

	C6LRE
Discharge Air (°F)	32
Evaporator (°F)	21
Unit Sizing (°F)	19
Btu/hr/ft*	C6LRE
Parallel	1870
Conventional	2040

*For all refrigeration equipment other than Hussmann, use conventional Btu values.

DEFROST DATA

	C6LRE
Frequency (hr)	6
Defrost Water (lb/ft/day)	10.5
(\pm 15% based on case configuration and product loading).	
OFFTIME	C6LRE
Temp Term (°F)	48°
Failsafe (minutes)	35

ELECTRIC OR GAS
Not Recommended

Standard Defrost Thermostat
Close on rise: close 48°F — open 33°F

CONVENTIONAL CONTROLS

Low Pressure Backup Control
CI/CO (Temp °F)** 14 / 4

Indoor Unit Only, Pressure Defrost Termination (Temp °F)** 48°
**Use a Temperature Pressure Chart to determine PSIG conversions.

PHYSICAL DATA

Merchandiser Drip Pipe (in.) 1 1/2
Merchandiser Liquid Line (in.) 3/8
Merchandiser Suction Line (in.) 7/8

Estimated Charge (lb)***

8 ft 3.2
12 ft 4.5

***This is an average for all refrigerant types. Actual refrigerant charge may vary by approximately half a pound.

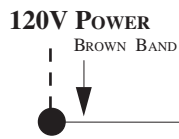
Length (in.) added to Lineup by Each End or Insulated Partition 1 1/2

Impact C6LRE Dairy / Delicatessen

Electrical Data

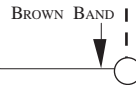
	8 ft	12 ft		
Number of Fans — 9W	4	6		
Number of Fans — 9W (Export)	4	6		
(Export: 230V 50 hz shown)				
	Amperes		Watts	
Merchandiser	8 ft	12 ft	8 ft	12 ft
Fans				
Standard: 120V 60 hz	2.80	4.20	220	330
Energy Efficient: 120V 60 hz	1.40	2.80	112	168
Export: 230V 50 hz	1.52	2.28	228	342
Anti-sweat Heaters				
Constant on	NA	NA		
Cycling	NA	NA		
Minimum Circuit Ampacity				
With Standard Fans	3.0	4.4		
With Energy Efficient Fans	1.6	3.0		
With Export Fans	2.0	2.5		
Maximum Over Current Protection	20	20		
Supplemental Gas Heaters	NA	NA		
208V 1Φ Electric Defrost	NA	NA		
Standard Lighting				
1 Row Canopy	0.51	0.77	59	85
Optional Lighting				
1 Row Canopy and 1 Row Rail	1.02	1.54	118	170
2 Rows Canopy	1.02	1.54	118	170
2 Rows Canopy and 1 Row Rail	1.53	2.31	177	255
1 Row Ledge Lights	0.51	0.77	59	85
Optional Shelf Lighting				
Not Recommended				

4 & 6 Fans

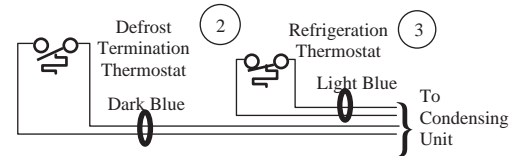


Fans (1)

120V NEUTRAL



Fan Wiring Off-time Defrost



WARNING

All components must have mechanical ground, and the merchandiser must be grounded.

CIRCLED NUMBERS = PARTS LIST ITEM NUMBERS

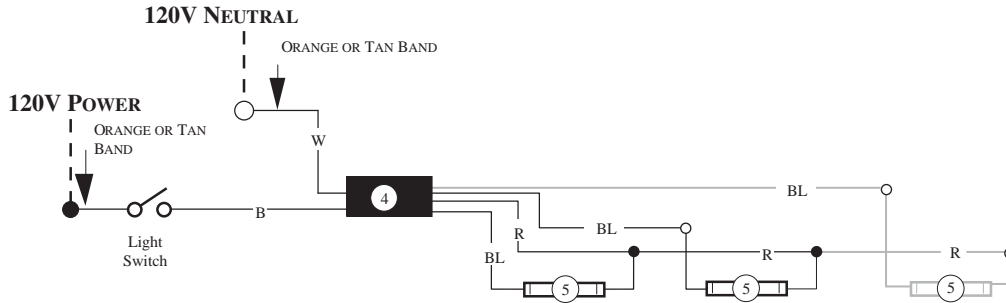
Grayed components in 12 foot models only.

R = Red Y = Yellow G = Green BL = Blue B = Black W = White

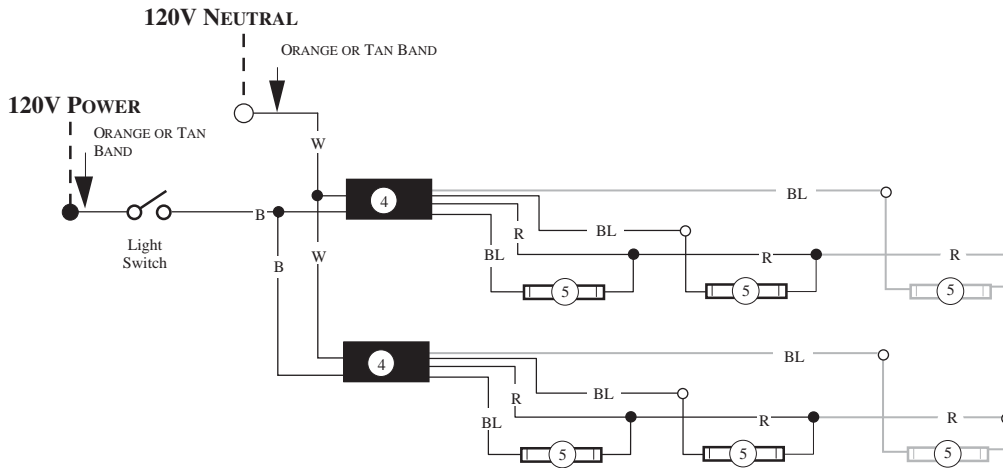
● = 120V POWER ○ = 120V NEUTRAL ≡ = Field GROUND ≡≡ = Case GROUND

Light Circuits

Standard Lighting — 1 Row Canopy Optional Lighting — 1 Row Rail or 1 Row Ledge



Optional Lighting — 2 Rows Canopy



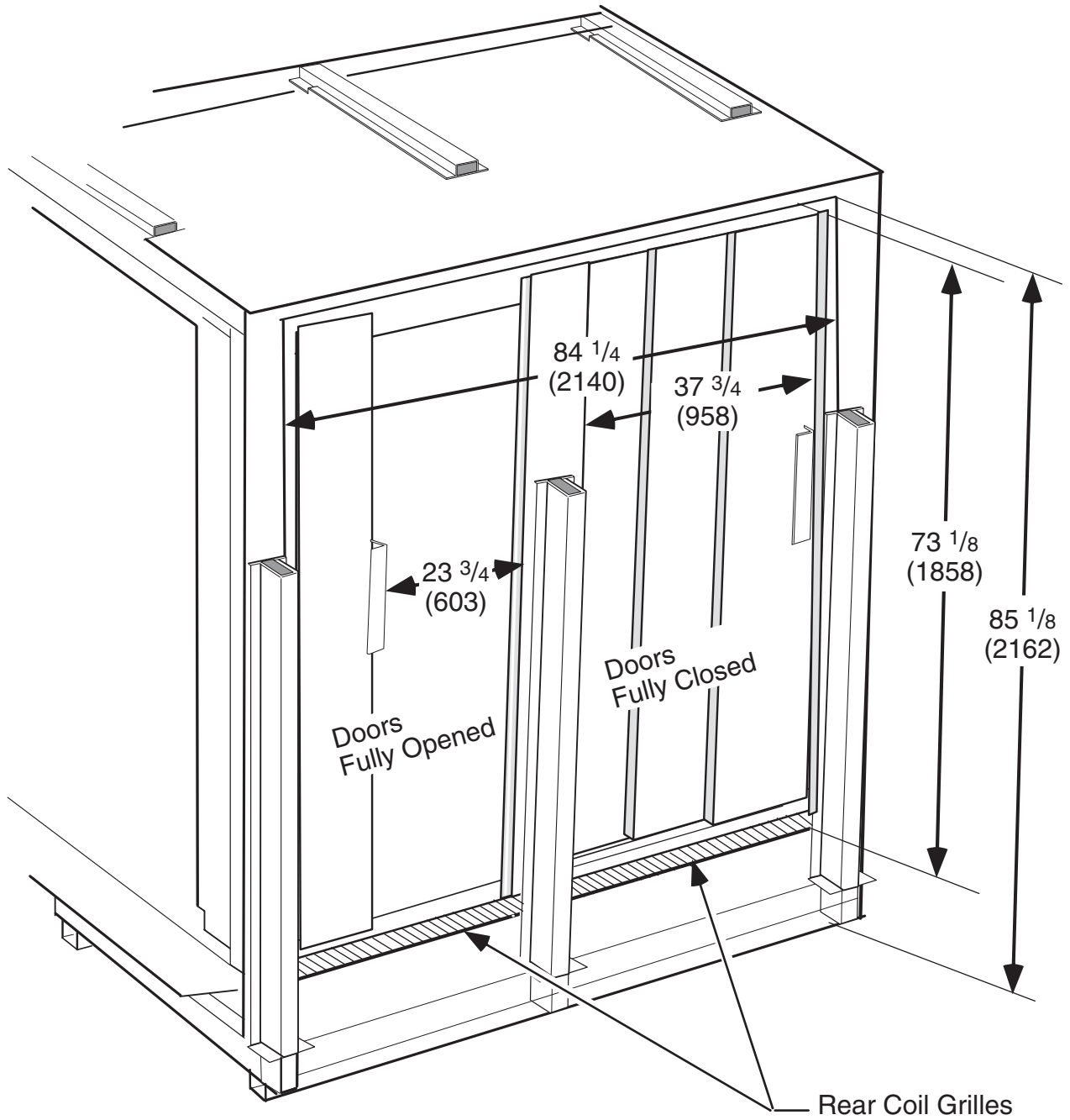
WARNING

All components must have mechanical ground, and the merchandiser must be grounded.

CIRCLED NUMBERS = PARTS LIST ITEM NUMBERS
Grayed components in 12 foot models only.

R = Red Y = Yellow G = Green BL = Blue B = Black W = White

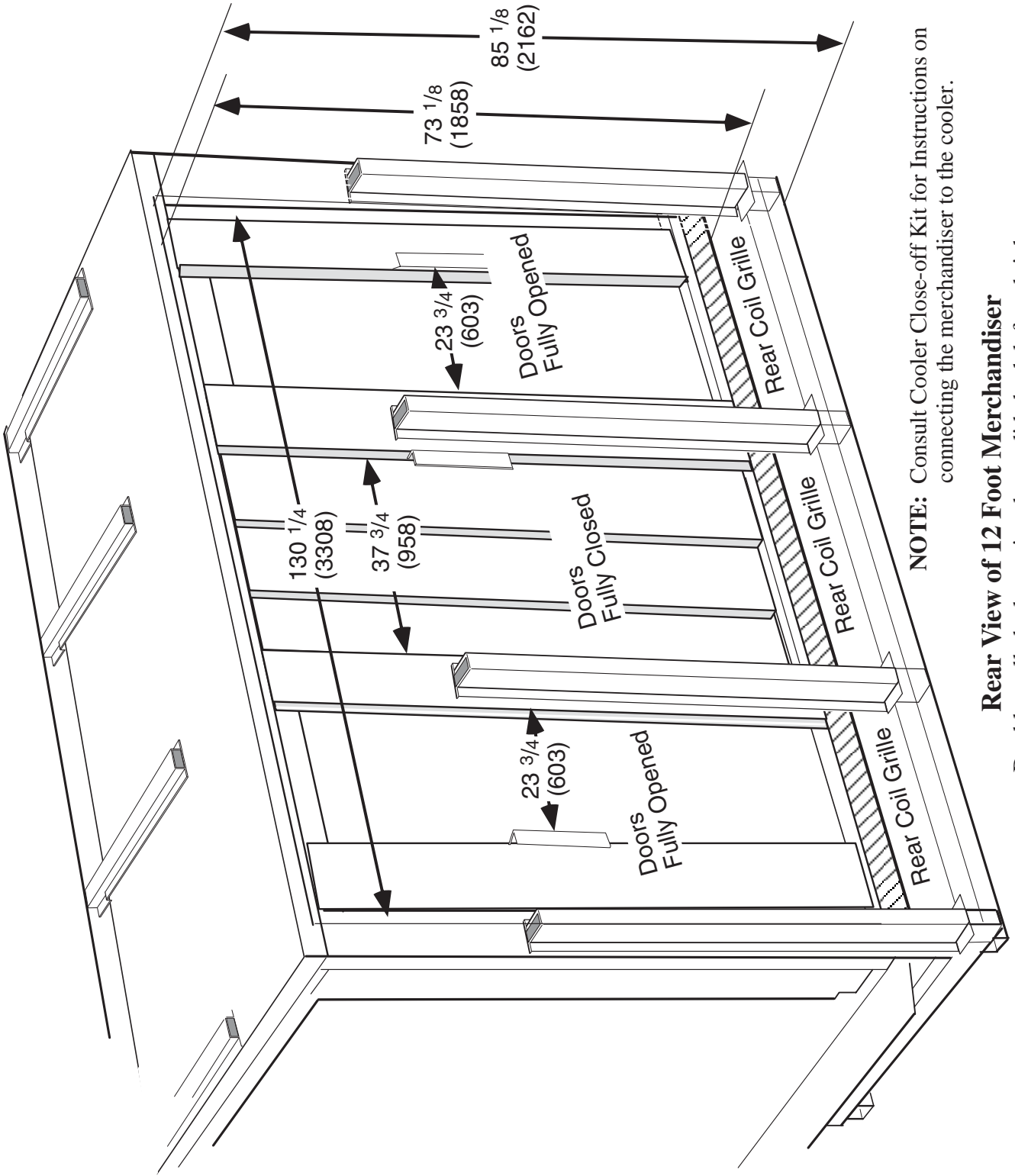
● = 120V POWER ○ = 120V NEUTRAL



Rear View of 8 Foot Merchandiser

Double-walled telescoping doors slide both left and right.

NOTE: Consult Cooler Close-off Kit for instructions on connecting the merchandiser to the cooler.



NOTE: Consult Cooler Close-off Kit for Instructions on connecting the merchandiser to the cooler.

Rear View of 12 Foot Merchandiser

Double-walled telescoping doors slide both left and right.