

We reserve the right to change or revise specifications and product design in connection with any feature of our products. Such changes do not entitle the buyer to corresponding changes, improvements, additions or replacements for equipment previously sold or shipped.

| Item                                  | Part #                 | Description                                     | Wiring Item # | Item                      | Part #  | Description   | Wiring Item # |
|---------------------------------------|------------------------|---|---------------|---------------------------|---------|---|---------------|
| <b>FAN ASSEMBLIES AND THERMOSTATS</b> |                        |   |               | <b>LAMPS AND BALLASTS</b> |         |   |               |
| A.                                    | <u>9W Fan Assembly</u> |   | (1)           | C.                        | 0376409 | Ballast, Electronic<br><b>2 lamps</b>                 | (3)           |
|                                       | 0047000                | Fan Motor, Evaporator                           |               | C.                        | 0376410 | Ballast, Electronic<br><b>3 lamps</b>                 | (3)           |
|                                       | 0315470                | Fan Blade<br>embossing toward motor             |               | D.                        |         | Fluorescent Lamp<br><i>Replace with like fixtures</i> | (4)           |
| B.                                    | 0137880                | Optional Adjustable<br>Refrigeration Thermostat | (2)           |                           |         |   |               |

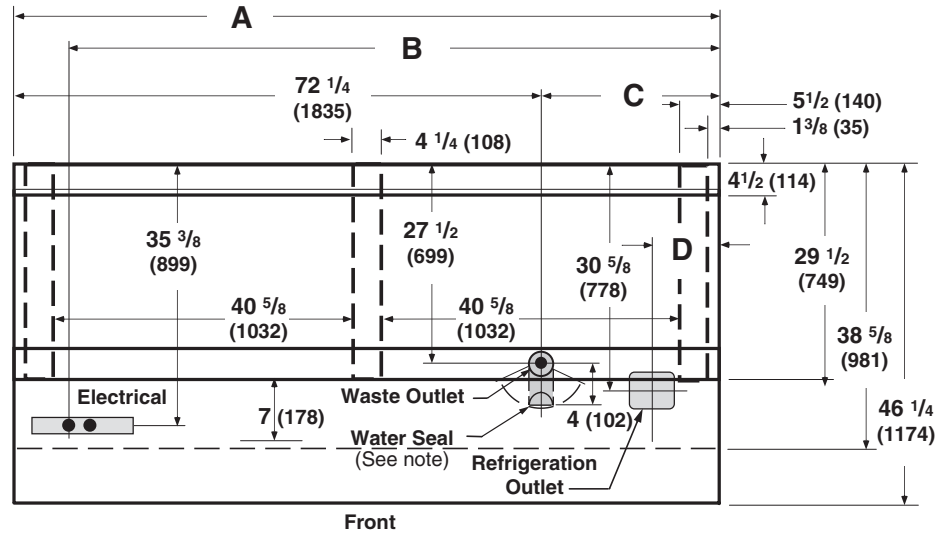
**Note: Changed items have been underlined.**





# Engineering Plan Views

## Dairy & Delicatessen

05-2003

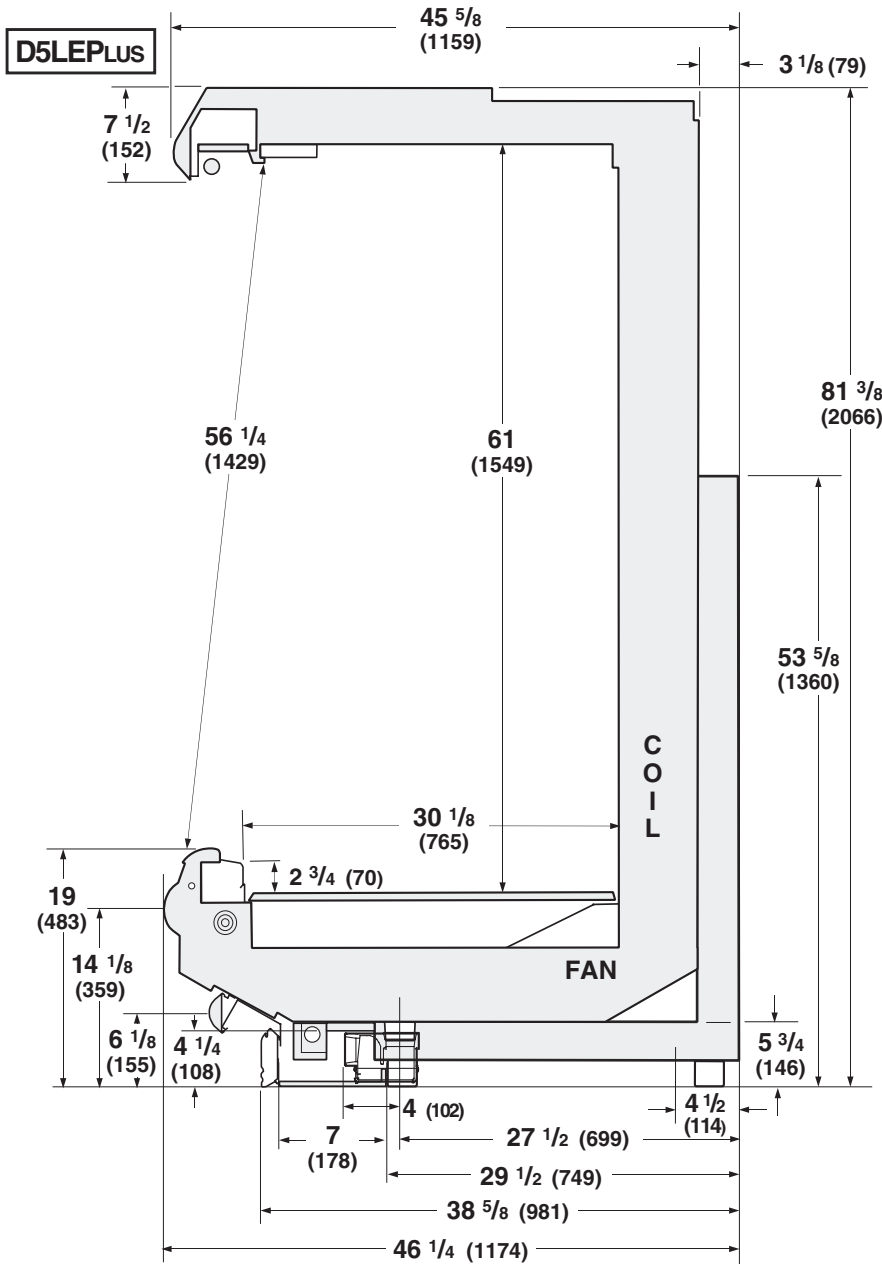
Dimensions shown as in. and (mm).



| General   | 8 ft          | 12 ft          |
|---|---------------|----------------|
| <b>(A)</b> Case Length ( <i>without ends or partitions</i> )  | 96 3/8 (2448) | 144 1/2 (3670) |
| Maximum O/S dimension of case back to front ( <i>includes bumper</i> )  | 46 1/4 (1174) | 46 1/4 (1174)  |
| Back of case to front of splashguard  | 38 5/8 (981)  | 38 5/8 (981)   |
| Back of case to O/S edge of front skid rail   | 29 1/2 (749)  | 29 1/2 (749)   |
| Width of skid rail  | 4 1/2 (114)   | 4 1/2 (114)    |
| RH end of case to outside edge of external support  | 5 1/2 (140)   | 5 1/2 (140)    |
| Distance between edges of external support and center support   | 40 5/8 (1032) | 40 5/8 (1032)  |
| Distance between edges of center supports   | NA            | 44 (1118)      |
| Stub-up area between front skid rail and splashguard  | 7 (178)       | 7 (178)        |
| <b>Electrical Service</b>  ( <i>Electrical Field Wiring connection point</i> ) |               |                |
| <b>(B)</b> RH End of case to center of farthest knockout  | 88 3/8 (2245) | 136 1/2 (3467) |
| Back of case to center of knockout  | 35 3/8 (899)  | 35 3/8 (899)   |
| Length of electrical raceway  | 34 5/8 (878)  | 34 5/8 (878)   |
| <b>Waste Outlet</b>    |               |                |
| <b>(C)</b> RH End of case to the center of waste outlet   | 24 1/8 (613)  | 72 1/4 (1835)  |
| LH End of case to the center of waste outlet  | 72 1/4 (1835) | 72 1/4 (1835)  |
| Back O/S of case to center of waste outlet  | 27 1/2 (699)  | 27 1/2 (699)   |
| <b>Water Seal</b>    |               |                |
| Edge of water seal to center of waste outlet  | 4 (102)       | 4 (102)        |
| Outside diameter of the drip pipe   | 1 1/2 (38)    | 1 1/2 (38)     |
| <i>NOTE: Water seal outlet must clear front skid rail;<br/>water seal rotation in forward direction only due to low base.</i>                                     |               |                |
| <b>Refrigeration Outlet</b>    |               |                |
| Back of case to center of refrigeration outlet  | 30 5/8 (778)  | 30 5/8 (778)   |
| <b>(D)</b> RH end of case to center of refrigeration outlet   | 9 (230)       | 9 (230)        |

**Impact D5LEPLUS**  
Dairy & Delicatessen

Dimensions shown as in. and (mm).



**REFRIGERATION DATA**

**Note:** This data is based on store temperature and humidity that does not exceed 75°F and 55% R.H.

| D5LEPLUS         | UNLIT | LIT | PEG** |
|------------------|-------|-----|-------|
| Discharge Air °F | 32    | 30  | 30    |
| Evaporator °F    | 28    | 26  | 26    |
| Unit Sizing °F   | 26    | 24  | 24    |

| Btu/hr/ft*   | D5LEPLUS |      |       |
|--------------|----------|------|-------|
|              | UNLIT    | LIT  | PEG** |
| Parallel     | 1290     | 1385 | 1445  |
| Conventional | 1365     | 1465 | 1530  |

\*For all refrigeration equipment other than Hussmann, use conventional Btu values.

\*\* Hussmann Peg Shelves (Deli only).

**DEFROST DATA**

|  |      |
|--|------|
| Frequency Hrs  | 12   |
| Defrost Water (lb/ft/day)                                | 10.5 |
| (± 15% based on case configuration and product loading). |      |

| OFFTIME         | D5LEPLUS        |
|-----------------|-----------------|
| Time (minutes)  | 40              |
| ELECTRIC OR GAS | Not Recommended |

**CONVENTIONAL CONTROLS**

|                             |                        |
|-----------------------------|------------------------|
| Low Pressure Backup Control |                        |
| CI/CO**                     | D5LEPLUS<br>19°F / 9°F |

**Indoor Unit Only, Pressure Defrost**  
Termination\*\* 48°F  
\*\*Use a Temperature Pressure Chart to determine PSIG conversions.

**PHYSICAL DATA**

|                    |       |
|--------------------|-------|
| Drip Pipe (in.)    | 1 1/2 |
| Liquid Line (in.)  | 3/8   |
| Suction Line (in.) | 7/8   |

| Estimated Charge (lb)*** | D5LEPLUS |
|--------------------------|----------|
| 8 ft                     | 3.7      |
| 12 ft                    | 5.1      |

\*\*\*This is an average for all refrigerant types. Actual refrigerant charge may vary by approximately half a pound.

| Length Added to Lineup by      |       |
|--------------------------------|-------|
| Each End (in.)                 | 1 1/2 |
| Each Insulated Partition (in.) | 1 1/2 |

**NSF Certification**

These merchandisers are manufactured to meet ANSI /National Sanitation Foundation (NSF®) Standard #7 requirements.

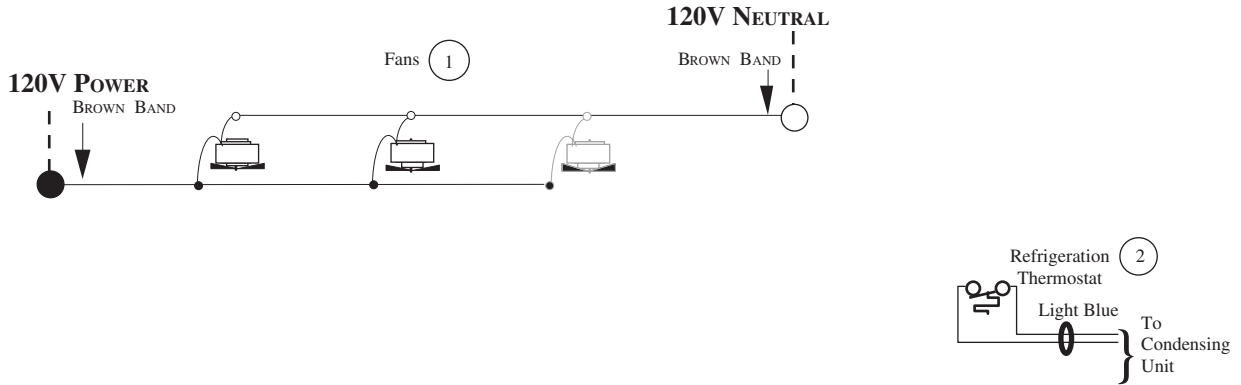
|  |
|--|
| Impact <b>D5LEPLUS</b><br>Dairy & Delicatessen |
|--|

## Electrical Data

|   |                |              |              |              |
|---|----------------|--------------|--------------|--------------|
| <b>Number of Fans</b>                       | <b>8 ft</b>    | <b>12 ft</b> |              |              |
| <b>Refrigeration – 9W</b>                   | <b>2</b>       | <b>3</b>     |              |              |
| <b>Export – 9W</b>                          | <b>2</b>       | <b>3</b>     |              |              |
|   | <b>Amperes</b> |              | <b>Watts</b> |              |
| <b>Merchandiser</b>                         | <b>8 ft</b>    | <b>12 ft</b> | <b>8 ft</b>  | <b>12 ft</b> |
| <b>Fans (Refrigeration)</b>                 |                |              |              |              |
| Standard (120V 60Hz)                        | 1.40           | 2.10         | <u>110</u>   | <u>165</u>   |
| Energy Efficient (120V 60Hz)                | 0.76           | 1.14         | 50           | 75           |
| Export (230V 50Hz)                          | 0.76           | 1.14         | 114          | 171          |
| <b>Constant On Anti-sweat Heaters</b>       | NA             | NA           | NA           | NA           |
| <b>Cycling Anti-sweat Heaters</b>           | NA             | NA           | NA           | NA           |
| <b>Minimum Circuit Ampacity</b>             |                |              |              |              |
| With Standard Fans                          | 1.60           | 2.30         |              |              |
| With Energy Efficient Fans                  | 0.96           | 1.34         |              |              |
| With Export Fans (230V 50Hz)                | 0.96           | 1.34         |              |              |
| <b>Maximum Over Current Protection 120V</b> | <b>20</b>      | <b>20</b>    |              |              |
| Export (230V 50Hz)                          | <b>15</b>      | <b>15</b>    |              |              |
| <b>Electric Defrost Heaters (208V 1Φ)</b>   | NA             | NA           | NA           | NA           |
| <b>Gas Defrost Heaters (208V)</b>           | NA             | NA           | NA           | NA           |
| <b>Standard Lighting</b>                    | <b>8 ft</b>    | <b>12 ft</b> | <b>8 ft</b>  | <b>12 ft</b> |
| 1 Row Canopy                                | 0.51           | 0.77         | 59           | 85           |
| <b>Optional Lighting</b>                    |                |              |              |              |
| 1 Row Canopy and 1 Row Rail                 | 1.02           | 1.54         | 118          | 170          |
| 2 Rows Canopy                               | 1.02           | 1.54         | 118          | 170          |
| 2 Rows Canopy and 1 Row Rail                | 1.53           | 2.31         | 177          | 255          |
| <b>Optional Shelf Lighting</b>              |                |              |              |              |
| 1 Row of Shelves                            | 0.51           | 0.77         | 59           | 85           |
| 2 Rows of Shelves                           | 1.02           | 1.54         | 118          | 170          |
| 3 Rows of Shelves                           | 1.53           | 2.31         | 177          | 255          |
| 4 Rows of Shelves                           | 2.04           | 3.08         | 236          | 340          |

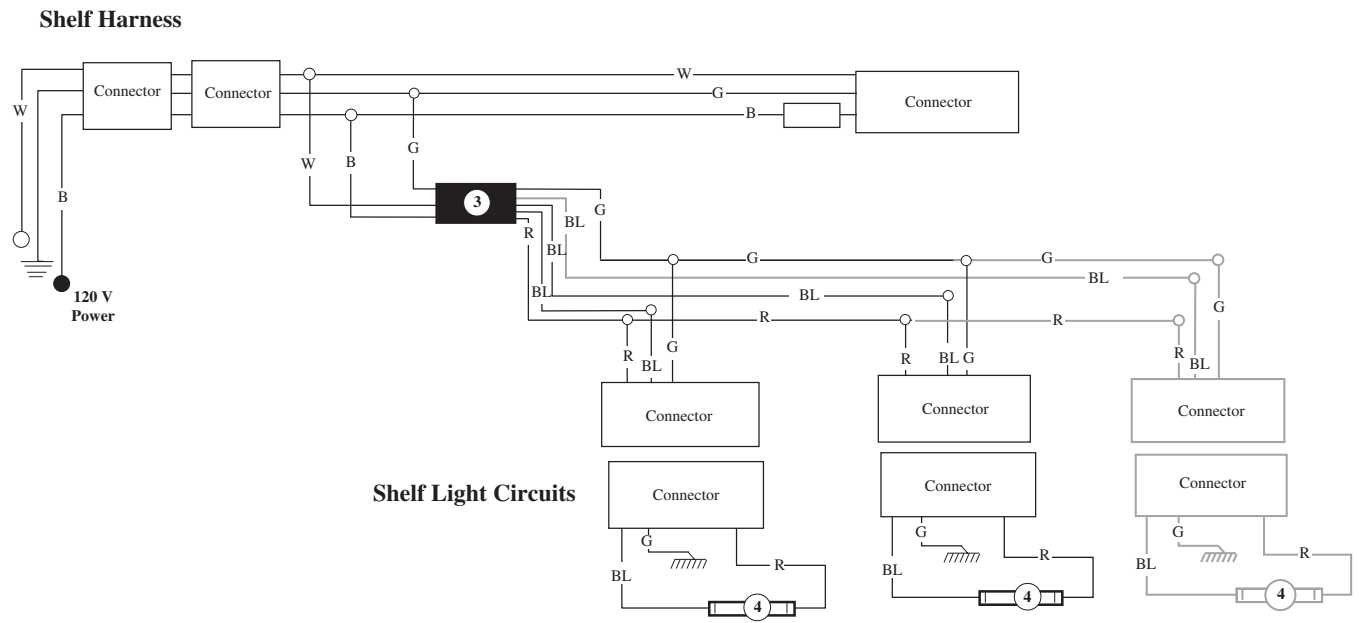
# Fan Wiring Offtime Defrost

## 2 & 3 Fans



## Optional Shelf Harness and Light Circuits for One Row of Shelves

# Shelf Lighting



### WARNING

All components must have mechanical ground, and the merchandiser must be grounded.

CIRCLED NUMBERS = PARTS LIST ITEM NUMBERS

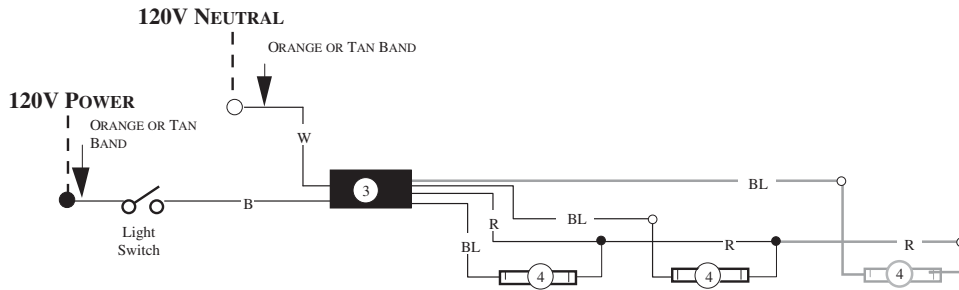
Grayed components in 12 foot models only.

R = Red   Y = Yellow   G = Green   BL = Blue   B = Black   W = White

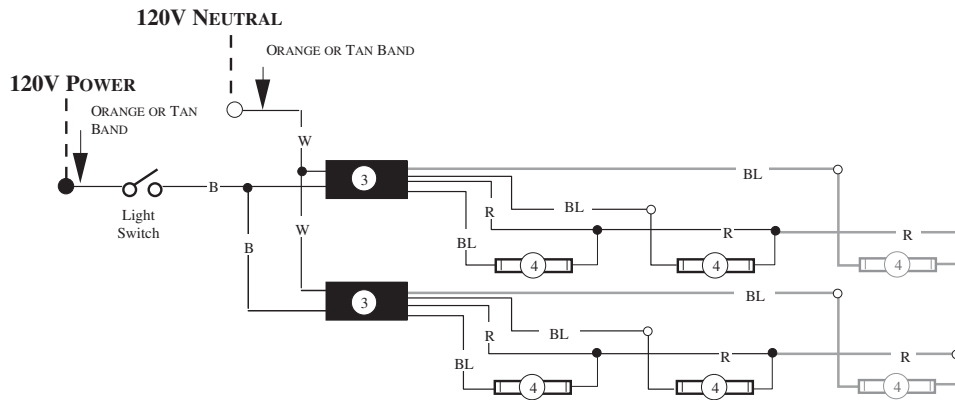
● = 120V POWER   ○ = 120V NEUTRAL   ≡ = FIELD GROUND   ≡≡ = CASE GROUND

# Light Circuits

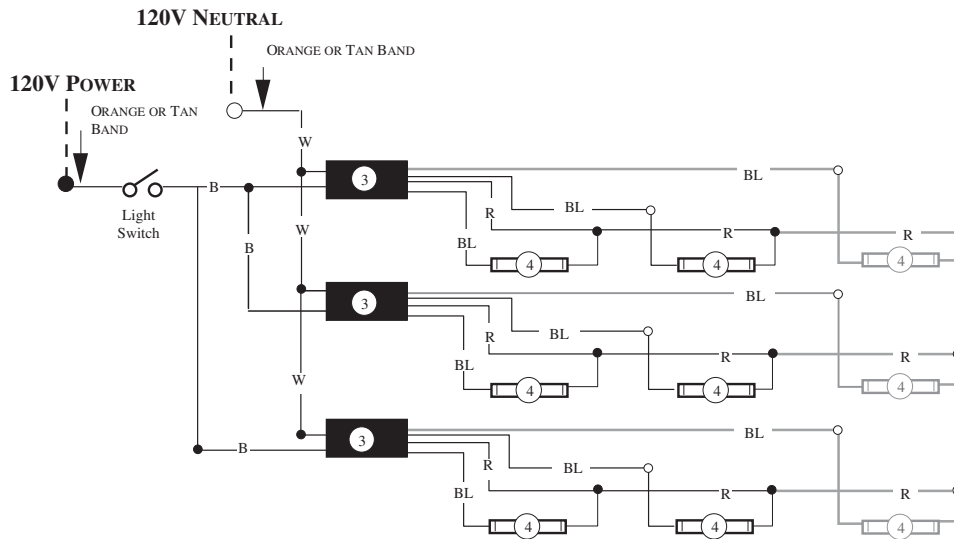
## Standard Lighting 1 Row Canopy or Optional 1 Row Rail



## Optional Lighting 2 Rows Canopy



## Optional Lighting 3 Row Canopy



### WARNING

All components must have mechanical ground, and the merchandiser must be grounded.

CIRCLED NUMBERS = PARTS LIST ITEM NUMBERS

Grayed components in 12 foot models only.

R = Red Y = Yellow G = Green BL = Blue B = Black W = White

● = 120V POWER ○ = 120V NEUTRAL