

We reserve the right to change or revise specifications and product design in connection with any feature of our products. Such changes do not entitle the buyer to corresponding changes, improvements, additions or replacements for equipment previously sold or shipped.

Item	Part #	Description	Wiring Item #	Item	Part #	Description	Wiring Item #
<b>FAN ASSEMBLIES AND THERMOSTATS</b>				<b>HEATERS</b>			
A.	4W Standard Fan Assembly		(1)	D.	0496496	Heater, Anti-Sweat (HE.4850738)	(4)
	0392457	Fan Motor, Evaporator (MO.4410101)					
	0409513	Fan Blade, (FB.0409513) embossing toward motor		<b>LAMPS AND BALLASTS</b>			
B.	0411744	Standard Non-adjustable Defrost Thermostat (CT.0411744)	(2)	E.	0355716	Ballast, Electronic 2 lamps (BA.0355716)	(5)
C.	Optional Adjustable Refrigeration Thermostat		(3)			Fluorescent Lamp	(6)
						<i>Replace with like fixtures</i>	

Note: Revision C adds page 5 and updates pages 1, 2 & 4. Changes are underlined, circled or marked with a vertical line in the margin.



# Engineering Plan Views

## PHYSICAL DATA

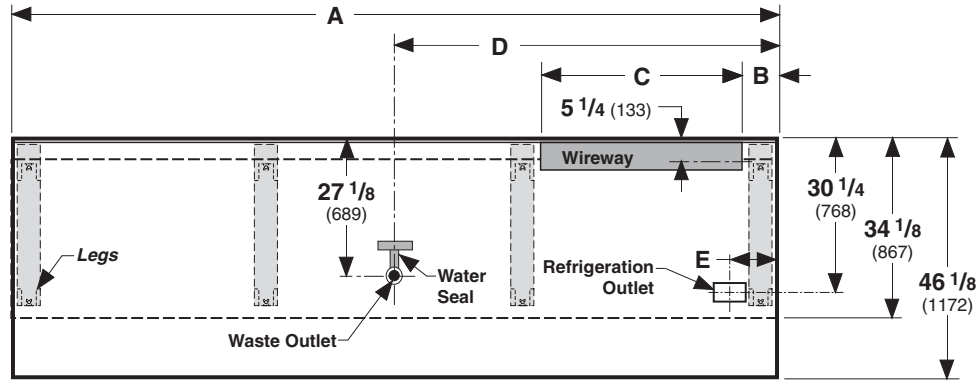
Merchandiser Drip Pipe (in.)	1 1/2
Merchandiser Liquid Line (in.)	3/8
Merchandiser Suction Line (in.)	7/8

E1




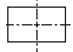
Delicatessen  
Precut & Packaged  
Produce

Dimensions shown as inches and (mm).

04-2010



Front

	4 ft	6 ft	8 ft	12 ft
<b>General</b>				
<b>(A)</b> Case Length ( <i>without ends or partitions</i> )	48 1/4 (1226)	72 3/8 (1838)	96 3/8 (2448)	144 1/2 (3670)
<i>NOTE: Each end or insulated partition adds 1 inch to lineup.</i>				
Maximum O/S dimension back to front ( <i>with bumper</i> )	46 1/8 (1172)	46 1/8 (1172)	46 1/8 (1172)	46 1/8 (1172)
Back of case to front of front panel	34 1/8 (867)	34 1/8 (867)	34 1/8 (867)	34 1/8 (867)
RH end of case to outside edge of external support	1 3/8 (35)	1 3/8 (35)	1 3/8 (35)	1 3/8 (35)
Distance between edges of external support and center support	NA	28 1/2 (724)	40 1/2 (1029)	40 1/2 (1029)
Distance between edges of center supports	NA	NA	NA	43 7/8 (1114)
Distance between edges of external supports	37 (940)	NA	NA	NA
<b>Electrical Service</b>  ( <i>Electrical Field Wiring connection point</i> )				
<b>(C)</b> Length of electrical wireway	34 1/2 (876)	26 (660)	38 (965)	38 (965)
RH End of case to center of farthest knockout	12 1/4 (311)	12 1/4 (311)	12 1/4 (311)	12 1/4 (311)
Back of case to center of end knockout	5 1/4 (133)	5 1/4 (133)	5 1/4 (133)	5 1/4 (133)
<b>(B)</b> RH End of case to RH end of raceway	6 7/8 (175)	6 7/8 (175)	6 7/8 (175)	6 7/8 (175)
<b>Waste Outlet</b> 				
<b>(D)</b> RH End of case to the center of waste outlet	24 1/8 (613)	24 1/8 (613)	24 1/8 (613)	72 1/4 (1835)
LH End of case to the center of waste outlet	24 1/8 (613)	48 1/4 (1226)	72 1/4 (1835)	72 1/4 (1835)
Back O/S of case to center of waste outlet	27 1/8 (689)	27 1/8 (689)	27 1/8 (689)	27 1/8 (689)
<b>Water Seal</b> 				
Edge of water seal to center of waste outlet	4 (102)	4 (102)	4 (102)	4 (102)
Schedule 40 diameter of the drip pipe	1 1/2 (38)	1 1/2 (38)	1 1/2 (38)	1 1/2 (38)
<i>(Field installed water seal outlets, tees, and connectors are shipped with the merchandiser.)</i>				
<b>Refrigeration Outlet</b> 				
Back of case to center of refrigeration outlet	30 1/4 (768)	30 1/4 (768)	30 1/4 (768)	30 1/4 (768)
<b>(E)</b> RH end of case to center of refrigeration outlet	9 3/8 (238)	9 3/8 (238)	9 3/8 (238)	9 3/8 (238)

Elite specialty self-serve merchandiser, curved front glass, 1 display level

**Impact *Elite* E1**  
**Delicatessen**  
**Precut & Packaged Produce**

**REFRIGERATION DATA**

**Note:** This data is based on store temperature and humidity that does not exceed 75 (°F) and 55% R.H.

	<b>E1</b>
<b>Discharge Air (°F)</b>	27
<b>Evaporator (°F)</b>	20
<b>Unit Sizing (°F)</b>	18
<b>Btu/hr/ft</b>	<b>E1</b>
<b>Parallel</b>	490
<b>Conventional</b>	525

**DEFROST DATA**

	<b>E1</b>
<b>Frequency (hr)</b>	12
<b>Defrost Water (lb/ft/day)</b>	8
<i>(± 15% based on case configuration and product loading).</i>	

<b>OFFTIME</b>	<b>E1</b>
<b>Temp Term (°F)</b>	43
<b>Failsafe (minutes)</b>	90

*ELECTRIC OR GAS* Not Recommended

**Standard Defrost Thermostat**  
 Close on rise: close 48°F – open 33°F

**CONVENTIONAL CONTROLS**

<b>Low Pressure Backup Control</b>	
<b>C/CO*</b>	<b>E1</b>
<b>Temp (°F)</b>	13 / 3

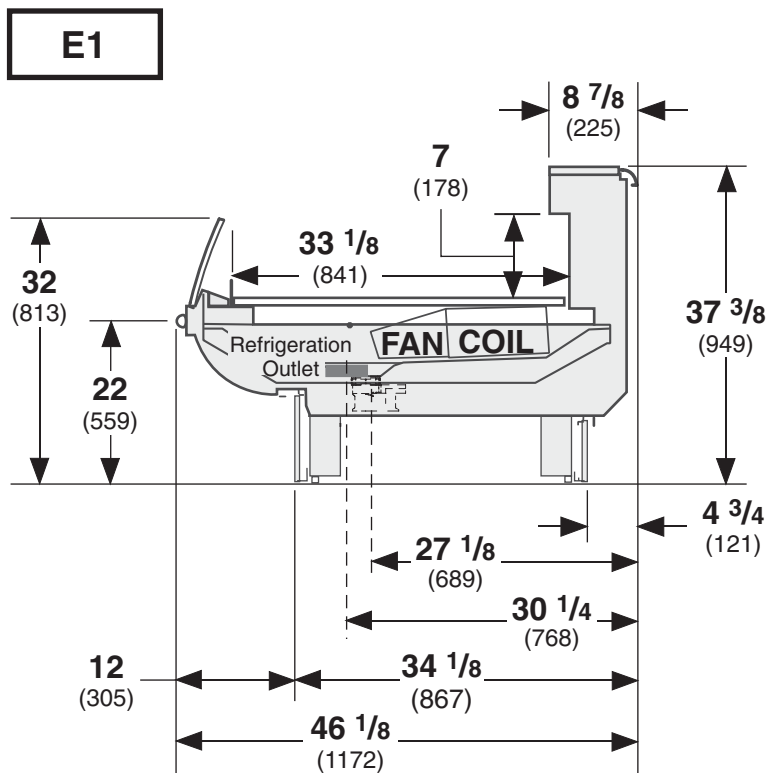
**Indoor Unit Only, Pressure Defrost Termination** Not Recommended

\*Use a Temperature Pressure Chart to determine PSIG conversions.

<b>Estimated Charge **</b>	<b>E1</b>
<b>4 ft</b> 0.8 lb    13 oz    0.4 kg	
<b>6 ft</b> 1.2 lb    19 oz    0.5 kg	
<b>8 ft</b> 1.5 lb    24 oz    0.7 kg	
<b>12 ft</b> 2.0 lb    32 oz    1.9 kg	

\*\*This is an average for all refrigerant types actual refrigerant charge may vary by approximately half a pound.

Dimensions shown as inches and (mm).



**NSF Certification**

This merchandiser model is manufactured to meet ANSI/NSF (National Sanitation Foundation) Standard #7 requirements for construction, materials & cleanability.

# Impact *Elite* E1

Delicatessen  
Precut & Packaged Produce

## Electrical Data

	4 ft	6 ft	8 ft	12 ft				
<b>Number of Fans — 4W</b>	1	2	2	3				
		<b>Amperes</b>				<b>Watts</b>		
	<b>4 ft</b>	<b>6 ft</b>	<b>8 ft</b>	<b>12 ft</b>	<b>4 ft</b>	<b>6 ft</b>	<b>8 ft</b>	<b>12 ft</b>
<b>Evaporator Fans</b>								
120V 60Hz Standard	0.31	0.62	0.62	0.93	24	48	48	72
120V 50Hz Standard	<u>0.38</u>	<u>0.76</u>	<u>0.76</u>	<u>1.14</u>	<u>27</u>	<u>54</u>	<u>54</u>	<u>81</u>
230V 60Hz Export	NA							
230V 50Hz Export	NA							
120V 60 Hz Energy Efficient	NA							
230V 60Hz Energy Efficient	NA							
<b>Cycling Anti-sweat Heaters</b>	0.13	0.26	0.26	0.39	16	32	32	48
<b>Minimum Circuit Ampacity</b>								
120V 60Hz Standard	0.64	1.08	1.08	1.52				
120V 50Hz Standard	<u>0.71</u>	<u>1.22</u>	<u>1.22</u>	<u>1.73</u>				
230V 60Hz Export	NA							
230V 50Hz Export	NA							
120V 60 Hz Energy Efficient	NA							
230V 60Hz Energy Efficient	NA							
<b>Maximum Over Current Protection 120V</b>	20	20	20	20				
Maximum Over Current Protection 230V	NA							
<b>Standard Lighting (T-8 fluorescent)</b>								
None								
<b>Optional Lighting (T-8 fluorescent)</b>								
1 Row Rail Lights	0.49	0.49	0.49	0.71	59	59	59	86
1 Row Ledge Lights	0.49	0.49	0.49	0.71	59	59	59	86

**Product Data**

<i>Recommended Usable Cube</i> <sup>1</sup> (Cu Ft/Ft)	1.04 ft <sup>3</sup> /ft (0.10 m <sup>3</sup> /m)
<i>AHRI Total Display Area</i> <sup>2</sup> (Sq Ft/Ft)	2.69 ft <sup>2</sup> /ft (0.82 m <sup>2</sup> /m)
<i>Shelf Area</i> <sup>3</sup> (Sq Ft/Ft)	2.76 ft <sup>2</sup> /ft (0.84 m <sup>2</sup> /m)

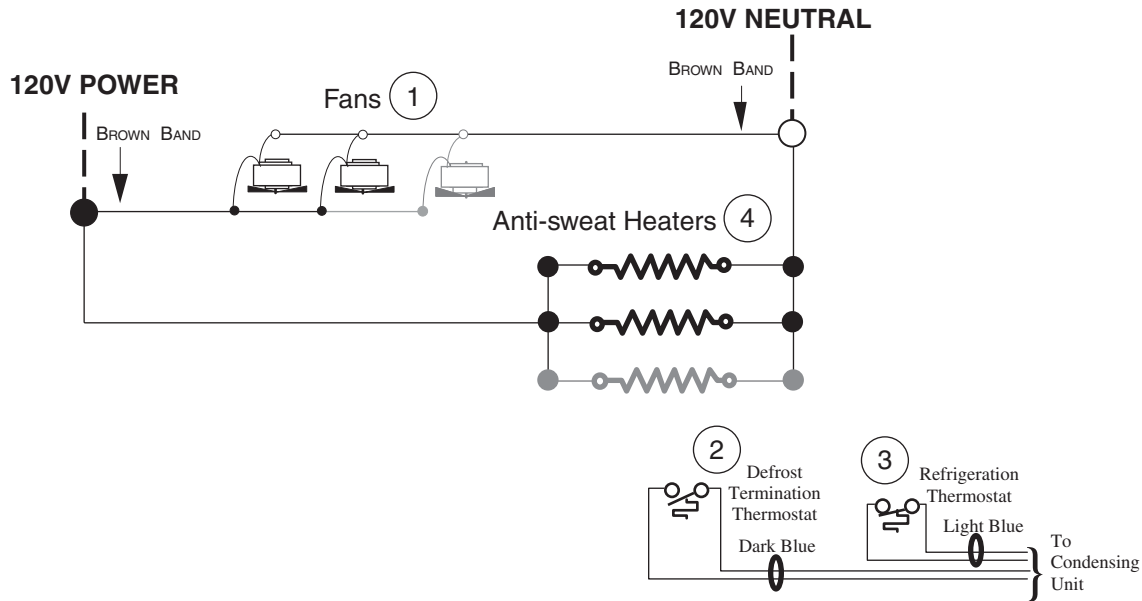
- <sup>1</sup> AHRI Refrigerated Volume less shelving and other unusable space: Refrigerated Volume/Unit of Length, ft<sup>3</sup>/ft [m<sup>3</sup>/m]
- <sup>2</sup> Computed using AHRI 1200 standard methodology: Total Display Area, ft<sup>2</sup> [m<sup>2</sup>]/Unit of Length, ft [m]
- <sup>3</sup> Shelf surface area is composed of bottom deck plus standard shelf complement, as shown in the Hussmann *Product Reference Guide*. The standard shelf complement for this model is *NONE*.

<b>ESTIMATED SHIPPING WEIGHT <sup>4</sup></b>					
<b>Case</b>	<i>4 ft</i>	<i>6 ft</i>	<i>8 ft</i>	<i>12 ft</i>	<b>Solid End</b>
<b>lb (kg)</b>	400 (181)	600 (272)	800 (363)	1000 (454)	<i>(each)</i> 75 (34)

<sup>4</sup> Actual weights will vary according to optional kits included.

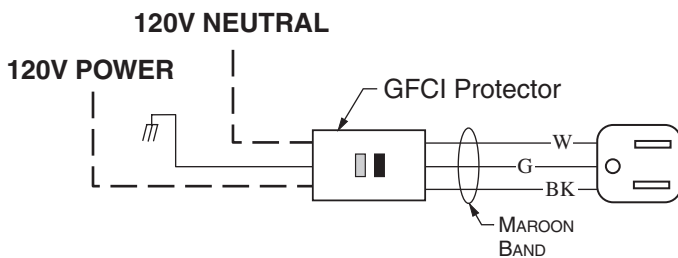
# Fan Wiring Offtime Defrost

**Fans**  
 4 ft case has 1 Fan  
 6 ft case has 2 Fans  
 8 ft case has 2 Fans  
 12 ft case has 3 Fans



# Receptacle

## Electric Service Receptacle



### WARNING

All components must have mechanical ground, and the merchandiser must be grounded.

CIRCLED NUMBERS = PARTS LIST ITEM NUMBERS

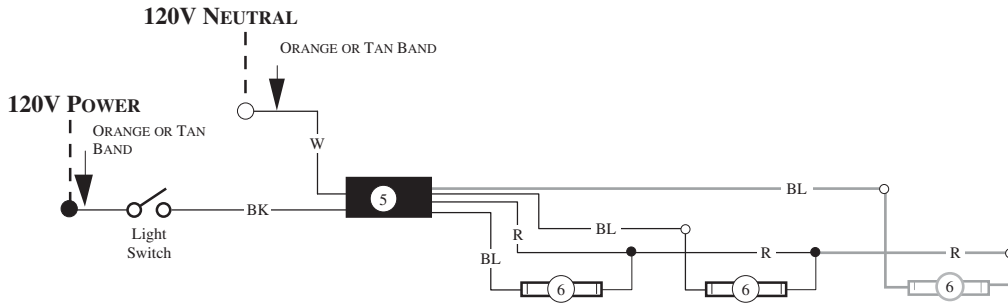
Grayed components in 12 foot models only

R = Red Y = Yellow G = Green BL = Blue LB = Light Blue DB = Dark Blue BK = Black W = White

● = 120V POWER ○ = 120V NEUTRAL  $\perp$  = FIELD GROUND  $\parallel$  = CASE GROUND

# Light Circuits

## Optional Lighting: 1 Row Ledge or 1 Row Rail



### WARNING

All components must have mechanical ground, and the merchandiser must be grounded.

CIRCLED NUMBERS = PARTS LIST ITEM NUMBERS

Grayed components in 12 foot models only

R = Red Y = Yellow G = Green BL = Blue BK = Black W = White

● = 120V POWER      ○ = 120V NEUTRAL