

We reserve the right to change or revise specifications and product design in connection with any feature of our products. Such changes do not entitle the buyer to corresponding changes, improvements, additions or replacements for equipment previously sold or shipped.

| Item | Part # | Description | Wiring Item # | Item | Part # | Description | Wiring Item # |
|---------------------------------------|--|--|---------------|--------------------------------------|---------|-----------------------------------|---------------|
| FAN ASSEMBLIES AND THERMOSTATS | | | | LAMPS AND BALLASTS | | | |
| A. | 4W Standard Fan Assembly | | (1) | E. | 0355716 | Ballast, Electronic | |
| | 0392457 | Fan Motor, Evaporator | | | | 2 lamps | (5) |
| | 0409513 | Fan Blade, embossing toward motor | | | | Fluorescent Lamp | (6) |
| B. | 0411744 | Standard Non-adjustable Defrost Thermostat | (2) | | | <i>Replace with like fixtures</i> | |
| C. | Optional Adjustable Refrigeration Thermostat | | (3) | LED FIXTURES AND POWER SUPPLY | | | |
| | | | | G. | 0501213 | Power Supply | (7) |
| | | | | H. | | LED Rail Fixture | (8) |
| | | | | | | <i>Replace with like fixtures</i> | |
| HEATERS | | | | | | | |
| D. | 0496496 | Heater, Anti-Sweat | (4) | | | | |

Data sheet-Elite E1S

Note: Revision H: April 2017. Updated LED energy values. Other changes marked with a bar, circle or underline.

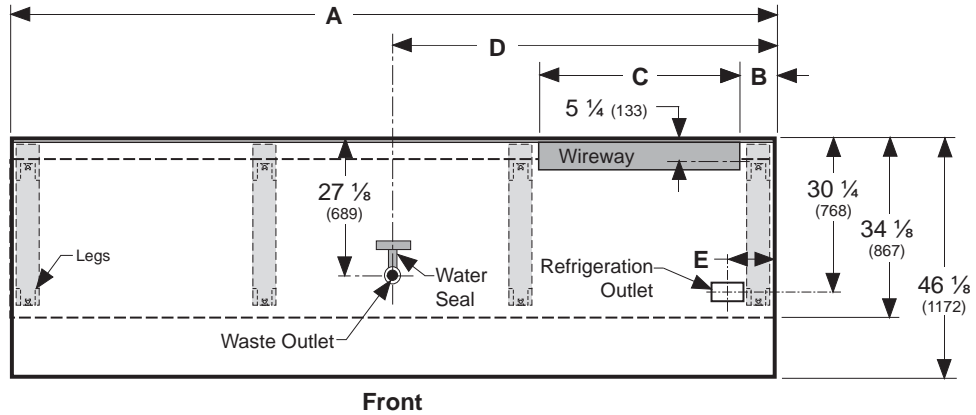
Engineering Plan Views





| PHYSICAL DATA | |
|---------------------------------|-------|
| Merchandiser Drip Pipe (in.) | 1 1/2 |
| Merchandiser Liquid Line (in.) | 3/8 |
| Merchandiser Suction Line (in.) | 7/8 |

Dimensions shown as inches and (mm).

E1S
Delicatessen
Precut & Packaged
Produce

04-2010



| | 8 ft | 12 ft |
|---|---------------|----------------|
| General | | |
| (A) Case Length <i>(without ends or partitions)</i> | 96 3/8 (2448) | 144 1/2 (3670) |
| <i>NOTE: Each end or insulated partition adds 1 inch to lineup.</i> | | |
| Maximum O/S dimension back to front <i>(with bumper)</i> | 46 1/8 (1172) | 46 1/8 (1172) |
| Back of case to front of front panel | 34 1/8 (867) | 34 1/8 (867) |
| RH end of case to outside edge of external support | 1 3/8 (35) | 1 3/8 (35) |
| Distance between edges of external support and center support | 40 1/2 (1029) | 40 1/2 (1029) |
| Distance between edges of center supports | NA | 43 7/8 (1114) |
| Distance between edges of external supports | NA | NA |
| Electrical Service  <i>(Electrical Field Wiring connection point)</i> | | |
| (C) Length of electrical wireway | 38 (965) | 38 (965) |
| RH End of case to center of farthest knockout | 12 1/4 (311) | 12 1/4 (311) |
| Back of case to center of end knockout | 5 1/4 (133) | 5 1/4 (133) |
| (B) RH End of case to RH end of raceway | 6 7/8 (175) | 6 7/8 (175) |
| Waste Outlet  | | |
| (D) RH End of case to the center of waste outlet | 24 1/8 (613) | 72 1/4 (1835) |
| LH End of case to the center of waste outlet | 72 1/4 (1835) | 72 1/4 (1835) |
| Back O/S of case to center of waste outlet | 27 1/8 (689) | 27 1/8 (689) |
| Water Seal  | | |
| Edge of water seal to center of waste outlet | 4 (102) | 4 (102) |
| Schedule 40 diameter of the drip pipe | 1 1/2 (38) | 1 1/2 (38) |
| <i>(Field installed water seal outlets, tees, and connectors are shipped with the merchandiser.)</i> | | |
| Refrigeration Outlet  | | |
| Back of case to center of refrigeration outlet | 30 1/4 (768) | 30 1/4 (768) |
| (E) RH end of case to center of refrigeration outlet | 9 3/8 (238) | 9 3/8 (238) |

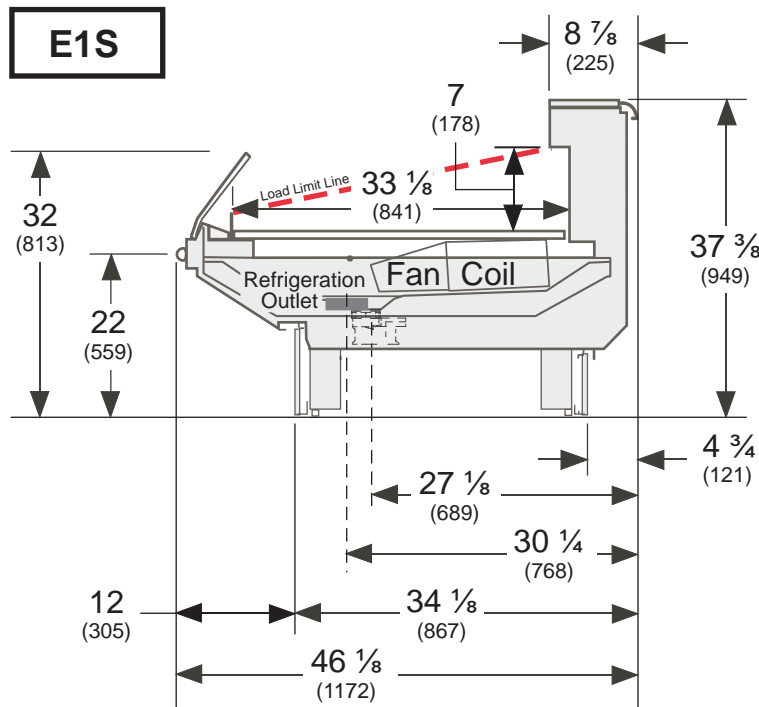
Elite specialty self-serve merchandiser, straight front glass, 1 display level



Husmann refrigerated merchandisers configured for sale for use in the United States meet or surpass the requirements of the DOE 2017 energy efficiency standards.



Dimensions shown as inches and (mm).



| Estimated Charge ** | | E1S | |
|---------------------|--------------|--------|--|
| 8 ft | 1.5 lb 24 oz | 0.7 kg | |
| 12 ft | 2.0 lb 32 oz | 1.9 kg | |

**This is an average for all refrigerant types. Actual refrigerant charge may vary by approximately half a pound (8 oz/0.2 kg).

NSF Certification

This merchandiser model is manufactured to meet NSF/ANSI (National Sanitation Foundation) Standard #7 requirements for construction, materials & cleanability.

REFRIGERATION DATA

Note: This data is based on store temperature and humidity that does not exceed 75 (°F) and 55% R.H.

| | E1S§ |
|--------------------|------|
| Discharge Air (°F) | 27 |
| Evaporator (°F) | 20 |
| Unit Sizing (°F) | 18 |

§ Average evaporator temperature shown. Use dew point for high glide refrigerants for unit sizing. Care should be taken to use the dew point in PT tables for measuring and adjusting superheat. Adjust evaporator pressure as needed to maintain discharge air temperature shown.

| Btu/hr/ft | E1S |
|--------------|-----|
| Parallel | 490 |
| Conventional | 525 |

DEFROST DATA

| | E1S |
|---------------------------|-----|
| Frequency (hr) | 12 |
| Defrost Water (lb/ft/day) | 8 |

(± 15% based on case configuration and product loading).

| OFFTIME | E1S |
|--------------------|-----|
| Temp Term (°F) | 43 |
| Failsafe (minutes) | 90 |

ELECTRIC OR GAS Not Recommended

Standard Defrost Thermostat

Close on rise: close 48°F – open 33°F

CONVENTIONAL CONTROLS

Low Pressure Backup Control

| | |
|-----------|--------|
| CI/CO* | E1S |
| Temp (°F) | 13 / 3 |

Indoor Unit Only, Pressure Defrost Termination

Not Recommended
*Use a Temperature Pressure Chart to determine PSIG conversions.

| |
|---|
| Elite E1S Delicatessen Precut & Packaged Produce |
|---|

Electrical Data

| | 8 ft | 12 ft | | |
|---|---------|-------|-------|-------|
| Number of Fans — 4W | 2 | 3 | | |
| | Amperes | | Watts | |
| | 8 ft | 12 ft | 8 ft | 12 ft |
| Evaporator Fans | | | | |
| 120V 60Hz Standard | 0.62 | 0.93 | 48 | 72 |
| 120V 50Hz Standard | 0.76 | 1.14 | 54 | 81 |
| 230V 60Hz Export | NA | | | |
| 230V 50Hz Export | NA | | | |
| 120V 60 Hz Energy Efficient | NA | | | |
| 230V 60Hz Energy Efficient | NA | | | |
| Cycling Anti-sweat Heaters | 0.26 | 0.39 | 32 | 48 |
| Minimum Circuit Ampacity | | | | |
| 120V 60Hz Standard | 1.08 | 1.52 | | |
| 120V 50Hz Standard | 1.22 | 1.73 | | |
| 230V 60Hz Export | NA | | | |
| 230V 50Hz Export | NA | | | |
| 120V 60 Hz Energy Efficient | NA | | | |
| 230V 60Hz Energy Efficient | NA | | | |
| Maximum Over Current Protection 120V | 20 | 20 | | |
| Maximum Over Current Protection 230V | NA | | | |
| Standard Lighting (T-8 fluorescent) | | | | |
| None | | | | |
| ONLY LIGHTING CONFIGURATIONS THAT ARE COMPLIANT WITH THE U.S. DEPT. OF ENERGY (DOE) 2017 REGULATION ARE AVAILABLE FOR SALE FOR USE IN THE U.S.A. | | | | |
| Optional Lighting (T-8 fluorescent) | | | | |
| 1 Row Rail Lights | 0.49 | 0.71 | 59 | 86 |
| 1 Row Ledge Lights | 0.49 | 0.71 | 59 | 86 |
| Optional EcoShine II LED Lighting | | | | |
| 1 Row Rail Lights | 0.16 | 0.25 | 19.8 | 29.7 |

Please note: some combinations of fluorescent lights on this case model may not be compliant with DOE 2017 and may not be available to order in the US and Canada. More lighting options are available with LED lights. The Hussmann Product Configurator will not allow lighting options that do not comply with the DOE 2017 standards.

Product Data

| | |
|--|---|
| <i>Recommended Usable Cube</i> ¹ (Cu Ft/Ft) | 1.04 ft ³ /ft (0.10 m ³ /m) |
| <i>AHRI Total Display Area</i> ² (Sq Ft/Ft) | 3.05 ft ² /ft (0.93 m ² /m) |
| <i>Shelf Area</i> ³ (Sq Ft/Ft) | 2.76 ft ² /ft (0.84 m ² /m) |

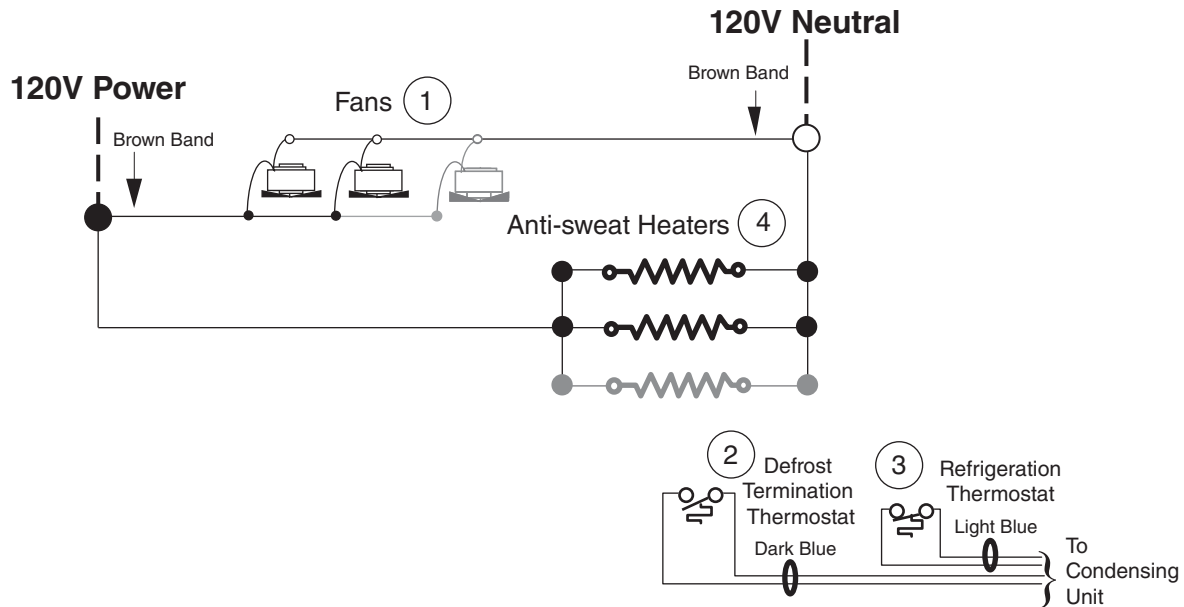
- ¹ AHRI Refrigerated Volume less shelving and other unusable space: Refrigerated Volume/Unit of Length, ft³/ft [m³/m]
- ² Computed using AHRI 1200 standard methodology: Total Display Area, ft² [m²]/Unit of Length, ft [m]
- ³ Shelf surface area is composed of bottom deck plus standard shelf complement, as shown in the Hussmann *Product Reference Guide*. The standard shelf complement for this model is *NONE*.

| ESTIMATED SHIPPING WEIGHT ⁴ | | | |
|---|--------------------------|------------|--------------------------|
| Case | <i>8 ft</i> <i>12 ft</i> | | Solid End |
| lb (kg) | 800 (363) | 1000 (454) | <i>(each)</i> 75 (34) |

⁴ Actual weights will vary according to optional kits included.

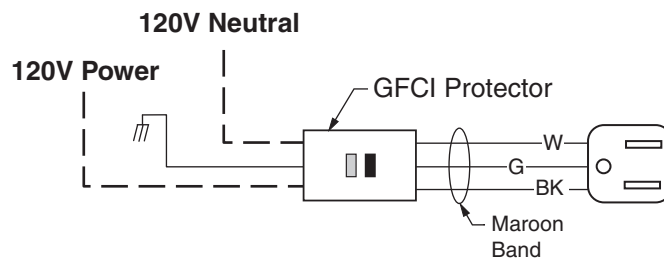
Fan Wiring Offtime Defrost

Fans
8 Ft Case Has 2 Fans
12 Ft Case Has 3 Fans



Receptacle

Electric Service Receptacle



WARNING

All components must have mechanical ground, and the merchandiser must be grounded.

Circled Numbers = Parts List Item Numbers

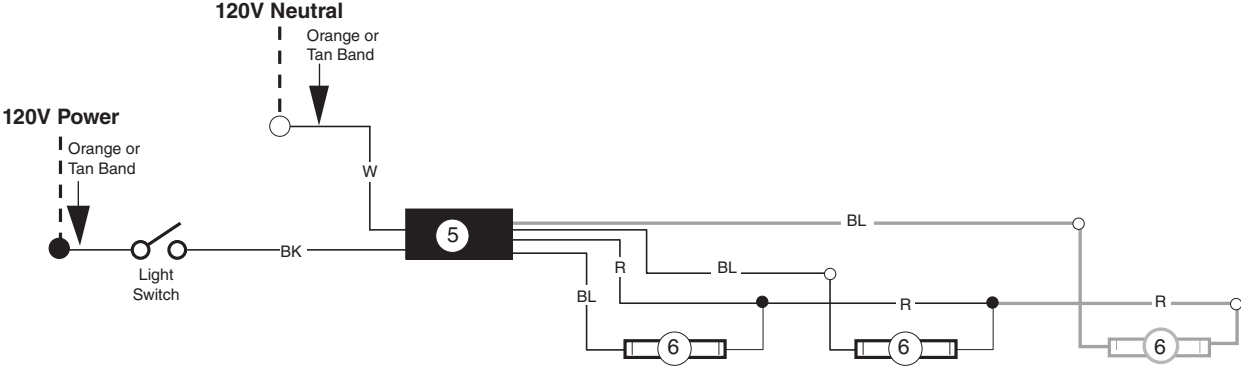
Grayed components in 12 foot models only.

R = Red Y = Yellow G = Green BL = Blue LB = Light Blue DB = Dark Blue BK = Black W = White

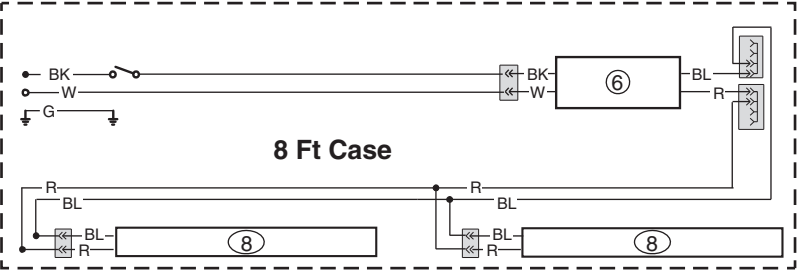
● = 120V Power ○ = 120V Neutral ⊥ = Field Ground ≡ = Case Ground

Light Circuits

Optional Fluorescent Lighting: 1 Row Ledge or 1 Row Rail



EcoShine II LED Rail Lighting – 1 Row



WARNING

All components must have mechanical ground, and the merchandiser must be grounded.

Circled Numbers = Parts List Item Numbers

Grayed components in 12 foot models only.

R = Red Y = Yellow G = Green BL = Blue BK = Black W = White

● = 120V Power ○ = 120V Neutral