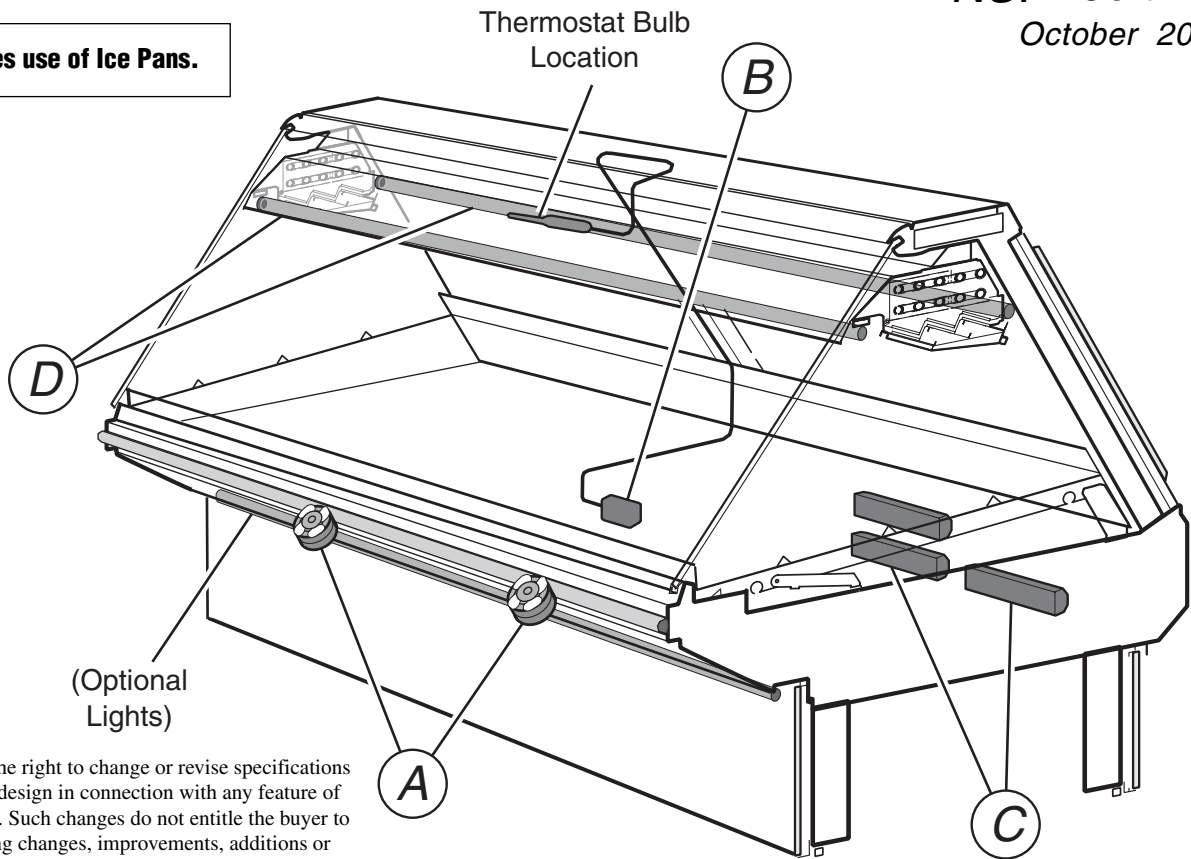


Requires use of Ice Pans.



We reserve the right to change or revise specifications and product design in connection with any feature of our products. Such changes do not entitle the buyer to corresponding changes, improvements, additions or replacements for equipment previously sold or shipped.

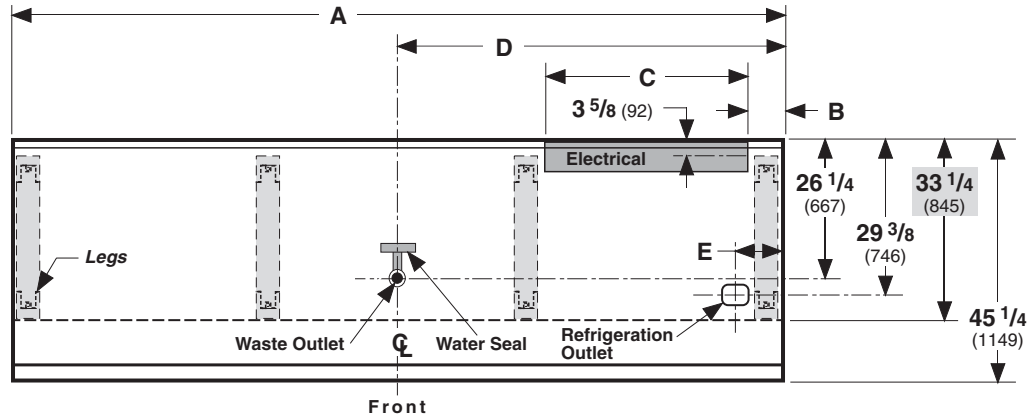
Item	Part #	Description	Wiring Item #	Item	Part #	Description	Wiring Item #
FAN ASSEMBLIES AND THERMOSTATS				LAMPS AND BALLASTS			
A.	0404551	Fan Motor, Ambient (120V)	(1)	C.	0355716	Ballast, Electronic, 2 lamps (120V)	(3)
	0404552	Fan Motor, Ambient (230V)		C.	0355398	Ballast, Electronic, 3 lamps (120V)	(4)
B.	0353949	Optional Adjustable Refrigeration Thermostat	(2)	C.	0440215	Ballast, Electronic, 2 lamps (230V 50-60 Hz)	(3)
				C.	0428652	Ballast, Electronic, 3 lamps (230V 50-60 Hz)	(4)
					0385104	Ballast Transformer (230V 50-60 Hz, per ballast)	
				D.		Fluorescent Lamp <i>Replace with like fixtures</i>	(5)




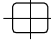
Note: Changed items have been underlined.

Engineering Plan Views

Elite Straight Hinged Glass Seafood/Meat/Delicatessen

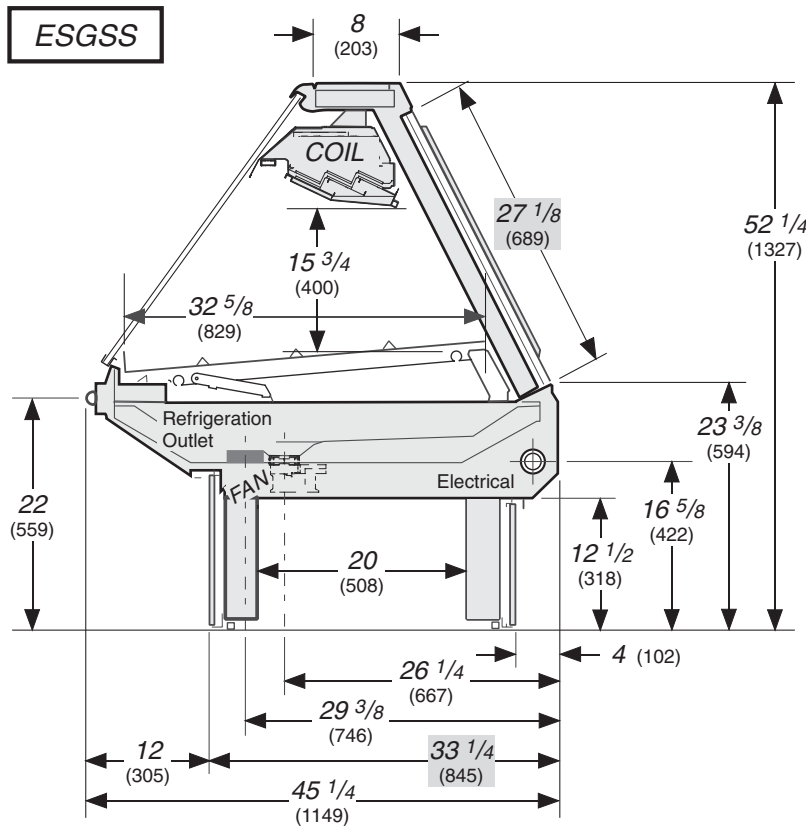
Dimensions shown as in. and (mm).



	4 ft	6 ft	8 ft	12 ft
General				
(A) Case Length (without ends or partitions)	48 1/4 (1226)	72 3/8 (1838)	96 3/8 (2448)	144 1/2 (3670)
Maximum O/S dimension back to front (with bumper)	45 1/4 (1149)	45 1/4 (1149)	45 1/4 (1149)	45 1/4 (1149)
Back of case to front of front panel	33 1/4 (845)	33 1/4 (845)	33 1/4 (845)	33 1/4 (845)
RH end of case to outside edge of external support	1 5/8 (41)	1 5/8 (41)	1 5/8 (41)	1 5/8 (41)
Distance between edges of external support and center support	NA	28 1/2 (724)	40 5/8 (1032)	40 5/8 (1032)
Distance between edges of center supports	NA	NA	NA	44 (1118)
Distance between edges of external supports	37 (940)	NA	NA	NA
Electrical Service  (Electrical Field Wiring connection point)				
(C) Length of electrical raceway	38 (965)	29 5/8 (752)	41 3/4 (1060)	41 3/4 (1060)
RH End of case to center of farthest knockout	10 3/8 (264)	10 (254)	10 3/8 (264)	10 1/4 (260)
Back of case to center of end knockout	3 5/8 (92)	3 5/8 (92)	3 5/8 (92)	3 5/8 (92)
(B) RH End of case to RH end of raceway	5 (127)	5 (127)	5 (127)	5 (127)
Waste Outlet 				
(D) RH End of case to the center of waste outlet	24 1/8 (613)	24 1/8 (613)	24 1/8 (613)	72 1/4 (1835)
LH End of case to the center of waste outlet	24 1/8 (613)	48 1/4 (1226)	72 1/4 (1835)	72 1/4 (1835)
Back O/S of case to center of waste outlet	26 1/4 (667)	26 1/4 (667)	26 1/4 (667)	26 1/4 (667)
Water Seal 				
Edge of water seal to center of waste outlet	4 (102)	4 (102)	4 (102)	4 (102)
Outside diameter of the drip pipe	1 1/2 (38)	1 1/2 (38)	1 1/2 (38)	1 1/2 (38)
(Field installed water seal outlets, tees, and connectors are shipped with the merchandiser.)				
Refrigeration Outlet 				
Back of case to center of refrigeration outlet	29 3/8 (746)	29 3/8 (746)	29 3/8 (746)	29 3/8 (746)
(E) RH end of case to center of refrigeration outlet	8 1/4 (210)	8 1/4 (210)	8 1/4 (210)	8 1/4 (210)

Impact Elite ESGSS
Seafood / Meat / Delicatessen

Dimensions shown as in. and (mm).



REFRIGERATION DATA

Note: This data is based on store temperature and humidity that does not exceed 75°F and 55% R.H. Schedule defrost at night while lights are off.

	ESGSS
Discharge Air (°F)	27
Evaporator (°F)	22
Unit Sizing (°F)	20

Btu/hr/ft*	ESGSS
Parallel	270
Conventional	290

*For all refrigeration equipment other than Hussmann, use conventional Btu values.

DEFROST DATA

	ESGSS
Frequency (hr)	<u>24</u>
Defrost Water (lb/ft/day)	<u>0.5</u>
<small>(± 15% based on case configuration and product loading).</small>	

	ESGSS
OFFTIME (minutes)	110
Failsafe (minutes)	110

ELECTRIC OR GAS Not Recommended

CONVENTIONAL CONTROLS

Low Pressure Backup Control	ESGSS
CI/CO (Temp °F)**	15 / 5
Indoor Unit Only, Pressure Defrost Termination (Temp °F)**	Not Recommended

**Use a Temperature Pressure Chart to determine PSIG conversions.

PHYSICAL DATA

Merchandiser Drip Pipe (in.)	1 1/2
Merchandiser Liquid Line (in.)	3/8
Merchandiser Suction Line (in.)	5/8

Estimated Charge (lb)***	
4 ft	0.8
6 ft	1.2
8 ft	1.5
12 ft	2.0

***This is an average for all refrigerant types. Actual refrigerant charge may vary by approximately half a pound.

Length Added to Lineup by:
Each End/Partition (in.) **1**

NSF Certification

These merchandisers are manufactured to meet ANSI /National Sanitation Foundation (NSF®) Standard #7 requirements.

Impact Elite ESGSS
Seafood / Meat / Delicatessen

Electrical Data

Number of Fans	4 ft	6 ft	8 ft	12 ft
Refrigeration (120V 60hz) – 4W	N/A			
Ambient Air Wipe – 15W	1	2	2	3
Export Refrigeration (230V 50 hz) – 4W	N/A			
Export Ambient Air Wipe – 15W	1	2	2	3

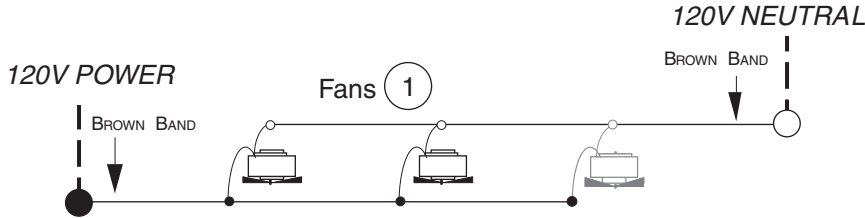
Merchandise	Amperes				Watts			
	4 ft	6 ft	8 ft	12 ft	4 ft	6 ft	8 ft	12 ft
Refrigeration Fans	N/A							
Ambient Air Wipe Fans								
Standard (120V 60hz)	0.26	0.52	0.52	0.78	23	45	45	68
Energy Efficient(120V 60hz)	N/A							
Export: 230V 50 hz	0.15	0.30	0.30	0.45	25	50	50	75
Constant On Anti-sweat Heaters	N/A							
Cycling Anti-sweat Heaters	N/A							
Minimum Circuit Ampacity								
With Standard Fans (120V 60hz)	0.46	0.72	0.72	0.98				
With Energy Efficient Fans (120V 60hz)	N/A							
With Export Fans (230V 50 hz)	0.35	0.50	0.50	0.65				
Maximum Over Circuit Protection 120V	20							
Maximum Over Circuit Protection 230V	15							

Standard Lighting* (120V 60hz)	4 ft	6 ft	8 ft	12 ft	4 ft	6 ft	8 ft	12 ft
2 Row Canopy	0.49	0.98	0.98	1.42	59	118	118	171
Optional Lighting								
1 Row Ledge	0.49	0.49	0.49	0.71	59	59	59	86
1 Row Rail	0.49	0.49	0.49	0.71	59	59	59	86

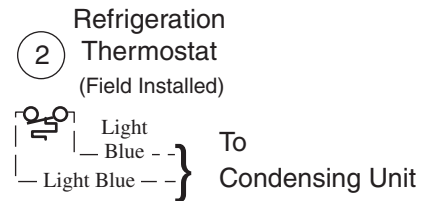
***230V lighting values are under review.**

*Ambient Fan
Wiring
Glass Air Wipe
Offtime Defrost*

Fans

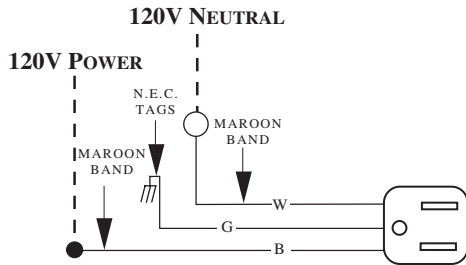


- 4 ft case has 1 Fan
- 6 ft case has 2 Fans
- 8 ft case has 2 Fans
- 12 ft case has 3 Fans



Electric Service Receptacle

Receptacles



WARNING

All components must have mechanical ground, and the merchandiser must be grounded.

Circled Numbers = Parts List Item Numbers

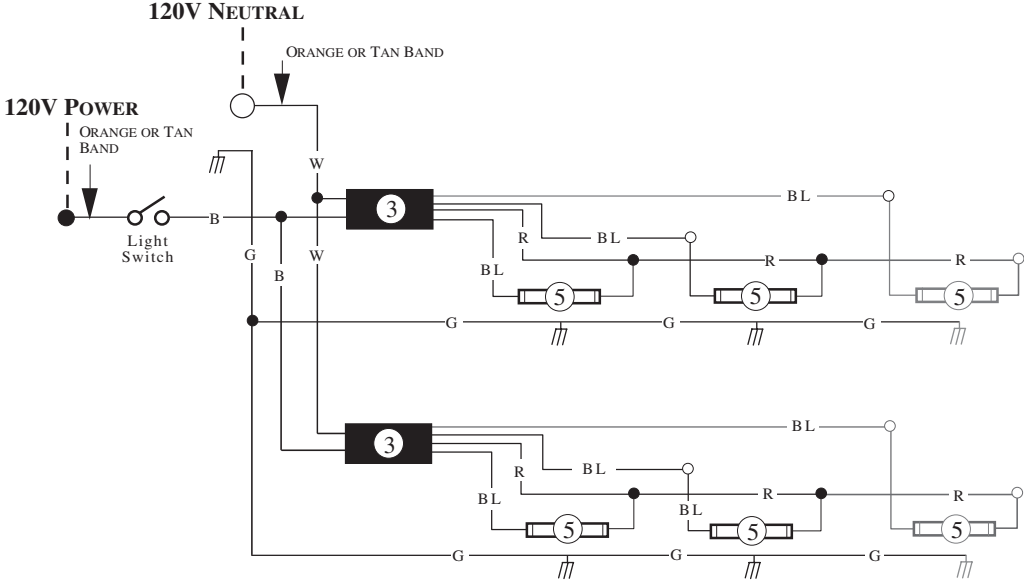
Grayed components in 12 foot models only.

R = Red G = Green BL = Blue LB = Light Blue DB = Dark Blue B = Black W = White

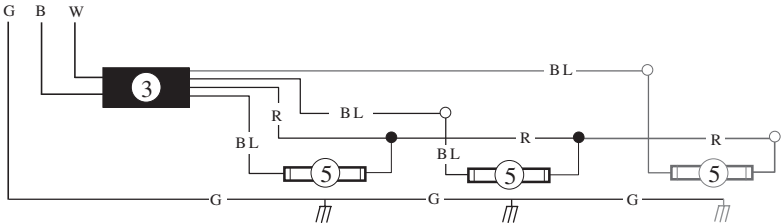
● = 120V POWER ○ = 120V NEUTRAL ≡ = Field GROUND ≡ = Case GROUND

Light Circuits

Standard Lighting — 2 Row Canopy



Optional Ledge Light Circuit or Optional Rail Light Circuit



WARNING

All components must have mechanical ground, and the merchandiser must be grounded.
 Circled Numbers = Parts List Item Numbers
 Grayed components in 12 foot models only.

R = Red G = Green BL = Blue B = Black W = White

● = 120V POWER ○ = 120V NEUTRAL ≡ = Field GROUND ≡ = Case GROUND