

Item	Part #	Description	Wiring Item #	Item	Part #	Description	Wiring Item #
FAN ASSEMBLIES, AND THERMOSTATS				LAMPS AND BALLASTS			
A.	<u>4W Fan Assemblies</u> 0404551	Fan Motor, Ambient	(1)	B.	0355398	Ledge Lamps Electronic 3-Lamp Ballast (Optional)	(2)
				C.		Fluorescent Lamp Replace with like fixtures	(3)

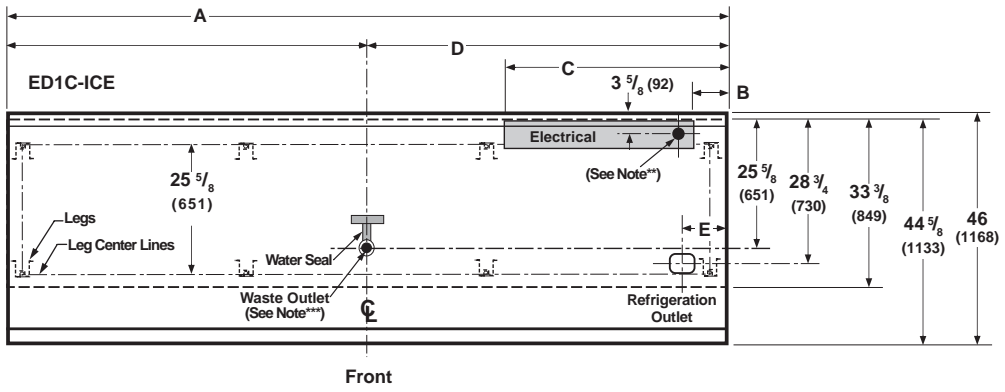
Note: Changed items have been underlined.

Engineering Plan Views

Delicatessen Curved Glass Models

07-2003

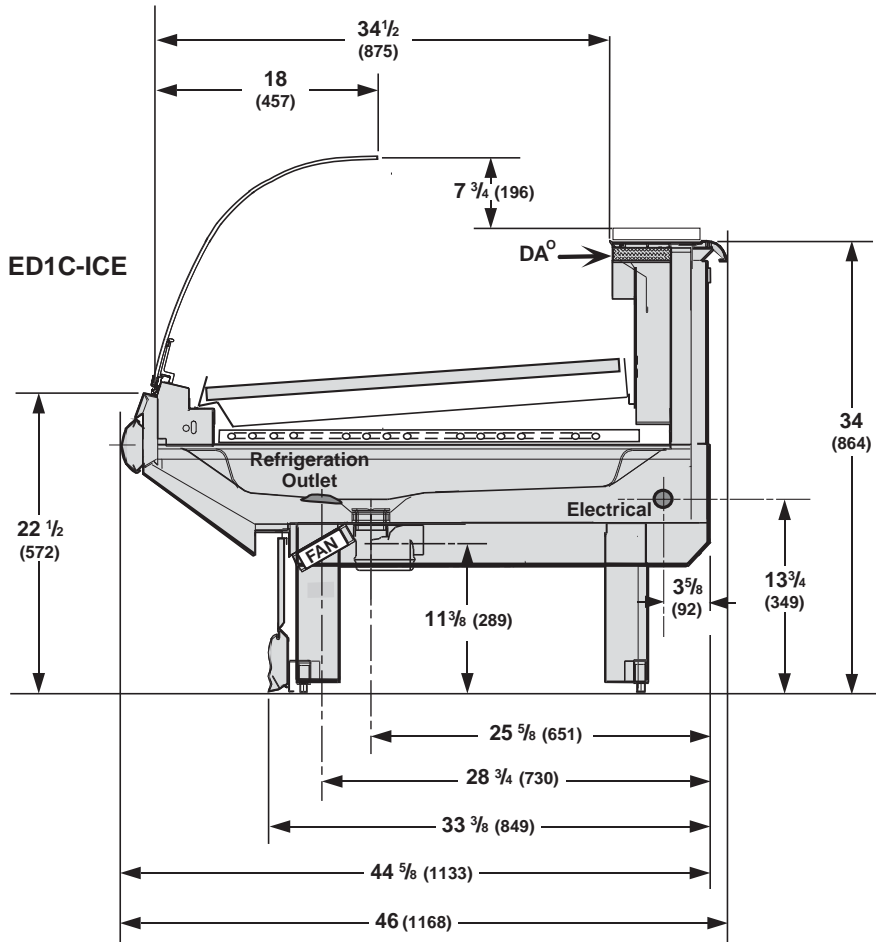
Dimensions shown as inches and (mm).



		12 ft
General		
(A) Length of Case*		144 1/2 (3670)
*Each End and Partition adds 1 1/2 inches (38 mm.) to the length of the lineup.		
Maximum outside dimensions of case back to front		46 (1168)
(includes bumper and Rear Sill)		
Back of case to front of splashguard		33 3/8 (849)
Center of rear legs to center of front legs		25 5/8 (651)
Electrical Service		
(B) Righthand end of case to right edge of electrical raceway		7 (178)
(C) Righthand end of case to left edge of electrical raceway		44 1/2 (1131)
Back outside of case to center of knockout		3 5/8 (92)
***Note: Electrical Field Wiring Connection Point		
Waste Outlet		
(D) Right end of case to center of waste outlet		72 1/4 (1835)
Left end of case to center of waste outlet		72 1/4 (1835)
Back outside of case to center of waste outlet		25 5/8 (652)
Water Seal		
Edge of water seal to center of waste outlet		4 (102)
Outside diameter of drip pipe lines		1 1/2 (38)
***Note: Field installed water seal outlets, tees, and connectors are shipped with the merchandiser.		
Refrigeration Outlet		
(E) Right end of case to center of refrigeration outlet		9 3/8 (238)
Back of case to center of refrigeration outlet		28 3/4 (730)
Outside diameter of the liquid line		3/8 (9.5)
Outside diameter of the suction line		5/8 (16)

Impact ED1C-ICE
Delicatessen

Dimensions shown in inches & (mm).



NOTE: The bumper is 4 inches wide. Center of the bumper is 18 1/2 (470 mm.) inches from the floor.

REFRIGERATION DATA

Note: This data is based on store temperature and humidity that does not exceed 75°F and 55% R.H.

	EDIC
Discharge Air (°F)	24
Evaporator(°F)	22
Unit Sizing (°F)	20

Btu/hr/ft*	EDIC
Parallel	150
Conventional	155

*For all refrigeration equipment other than Hussmann, use conventional Btu values.

DEFROST DATA

	EDIC
Frequency (hr)	24
Defrost Water (lb/ft/day)	NA
($\pm 15\%$ based on case configuration and product loading).	

OFFTIME	EDIC
Temp Term (°F)	70°F
Failsafe minutes	90

ELECTRIC OR GAS Not Recommended

Standard Defrost Thermostat N/A

CONVENTIONAL CONTROLS

Low Pressure Backup Control	
	EDIC
CI/CO**	28°F/1°F

Indoor Unit Only, Pressure Defrost Termination** N/A

**Use a Temperature Pressure Chart to determine PSIG conversions.

PHYSICAL DATA

	EDIC
Merchandiser Drip Pipe (in.)	1 1/2
Liquid Line (in.)	3/8
Suction Line (in.)	5/8

Estimated Charge (lb)***
12 ft 1.0

***This is an average for all refrigerant types. Actual refrigerant charge may vary by approximately half a pound.

Length Added to Lineup by:	
Each Plastic End w/ Bumper (in.)	3 1/2
Each End/Partition (in.)	1 1/2

Impact ED1C-ICE Delicatessen

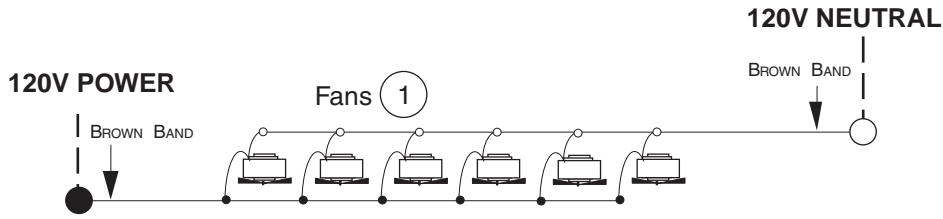
Electrical Data

Number of Fans	12 ft	
Ambient Air Wipe — 15W	6	
	Amperes	Watts
Merchandiser	12 ft	12 ft
Fans (Refrigeration)	NA	NA
Fans (Ambient Air Wipe)		
Standard (120V 60Hz)	1.56	90
Export (230V 50Hz)	NA	NA
Minimum Circuit Ampacity	1.76	
Maximum Over Current Protection 120V	20	
Optional Lighting*		
Optional Ledge Lighting	0.71	85

*230V lighting values are under review.

Fans

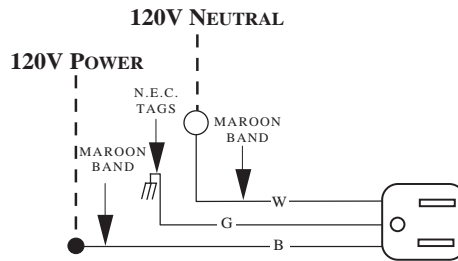
**Ambient Fan
Wiring
Glass Air Wipe**



12 ft case has 6 Fans

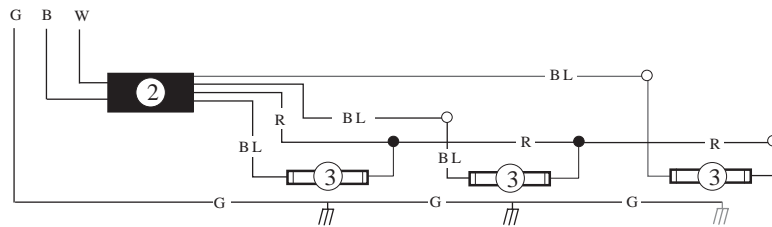
Electric Service Receptacle

Receptacles



Optional Ledge Light Circuit

Light Circuits



WARNING

All components must have mechanical ground, and the merchandiser must be grounded.

Circled Numbers = Parts List Item Numbers

R = Red G = Green BL = Blue LB = Light Blue DB = Dark Blue B = Black W = White

● = 120V POWER ○ = 120V NEUTRAL ≡ = Field GROUND ≡ = Case GROUND