

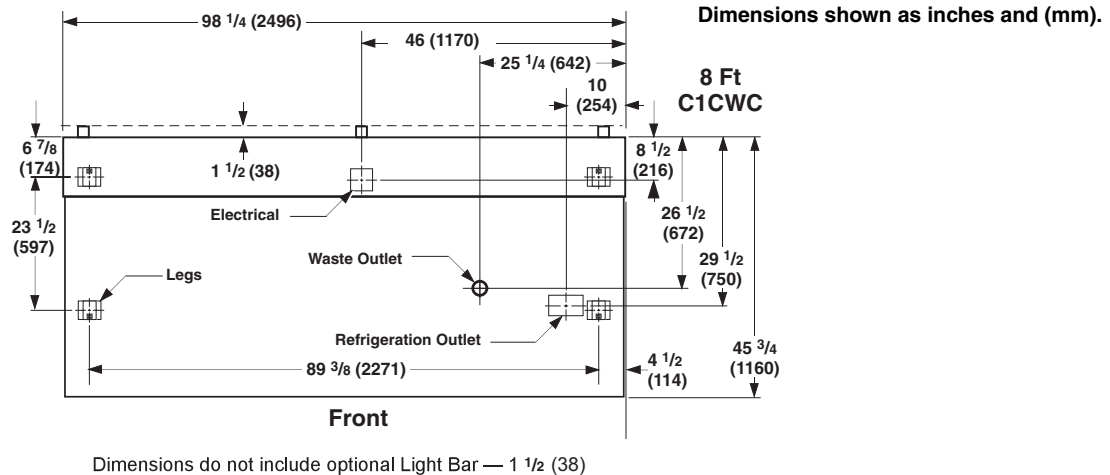
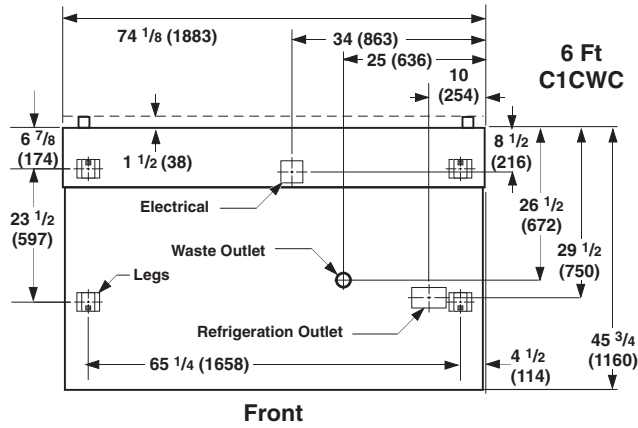
Item	Part #	Description	Wiring Item #	Item	Part #	Description	Wiring Item #
FAN ASSEMBLIES AND THERMOSTATS				HEATERS			
A.	4W Fan Assembly		(1)	D.	0401555	Nosing Anti-Sweat Heater, 4 ft	(4)
	0392457	Fan Motor, Evaporator (MO.4410101)				(HE.4850465)	
	0409511	Fan Blade (FB.0409511) embossing toward motor			0401556	Nosing Anti-Sweat Heater, 6 ft	(4)
						(HE.4850466)	
B.	0382028	Standard Non-adjustable Defrost Thermostat (CT.0382028)	(2)	LAMPS AND BALLASTS			
C.	0253451	Optional Adjustable Refrigeration Thermostat (CT.4480780)	(3)	E.	0428648	Ballast, Electronic, 2 lamps	(5)
						(BA.4480823)	
				F.		Fluorescent Lamp	(6)
						<i>Replace with like fixtures</i>	

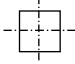

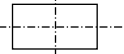
Note: Revision A corrects Page 1 illustration and Page 2 plan view.

Engineering Plan Views

Prepackaged Meat & Delicatessen

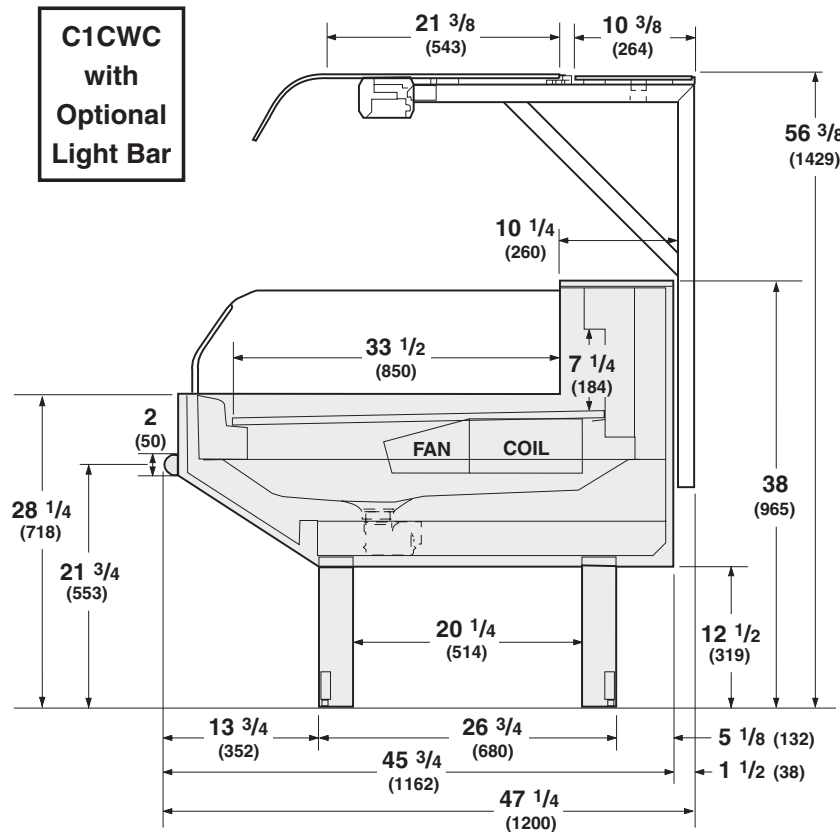
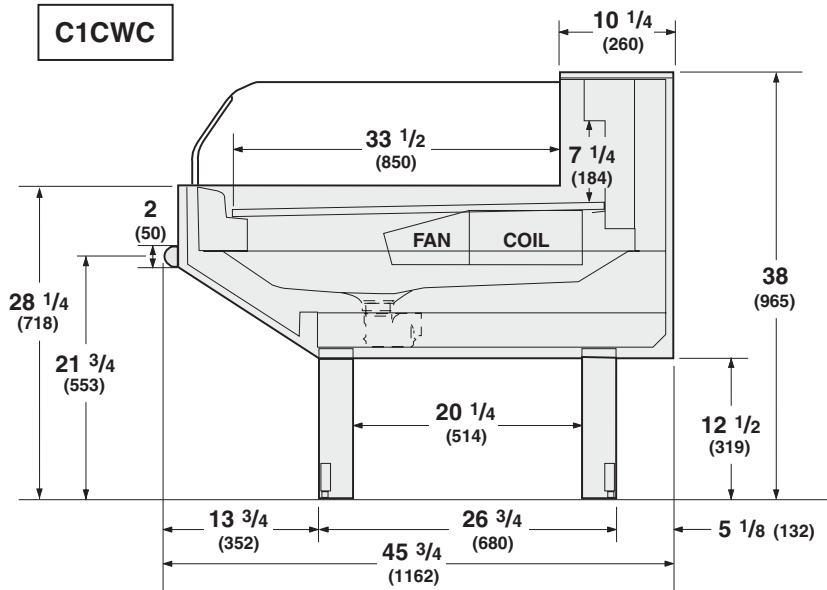
09-2003



	6 ft	8 ft
General		
Case Length (including ends)	74 1/8 (2448)	98 1/4 (3670)
Optional End Bumpers (One pair)	2 (51)	2 (51)
Maximum O/S dimension of case back to front (including bumper)	45 3/4 (1160)	45 3/4 (1160)
Back of case to front of splashguard	31 7/8 (810)	35 7/8 (810)
Center of rear legs to center of front legs	23 1/2 (597)	23 1/2 (597)
Electrical Service  (Electrical Field Wiring connection point)		
Right-hand end of case to center of knockout	34 (863)	46 (1170)
Back of case to center of knockout	<u>8 1/2 (216)</u>	<u>8 1/2 (216)</u>
Length of electrical raceway	31 5/8 (803)	31 5/8 (803)
Waste Outlet 		
Right-hand end of case to the center of waste outlet	25 (636)	25 1/4 (642)
Back outside of case to center of waste outlet	26 1/2 (672)	26 1/2 (672)
Water Seal		
Edge of water seal to center of waste outlet	4 (102)	4 (102)
Outside diameter of the drip pipe	1 1/2 (38)	1 1/2 (38)
Refrigeration Outlet 		
Back of case to center of refrigeration outlet	29 1/2 (750)	29 1/2 (750)
Right-hand end of case to center of refrigeration outlet	10 (254)	10 (254)

Dimensions shown as inches and (mm).

Impact C1CWC
Prepackaged Meat & Delicatessen



REFRIGERATION DATA

Note: This data is based on store temperature and humidity that does not exceed 75°F and 55% R.H.

	C1CWC
Discharge Air °F	29
Evaporator °F	18
Unit Sizing °F	16

Btu/hr/ft	C1CWC
Parallel	422
Conventional	453

DEFROST DATA

Frequency Hrs	12
Defrost Water (lb/ft/day)	0.2
(± 15% based on case configuration and product loading).	

OFFTIME	C1CWC
Temp Term °F	48
Failsafe Minutes	90

ELECTRIC OR GAS Not Recommended

Standard Defrost Thermostat

Close on rise: close 48°F — open 33°F

CONVENTIONAL CONTROLS

Low Pressure Backup Control

C/CO* 11°F / 1°F

Indoor Unit Only, Pressure Defrost

Termination* 48°F

*Use a Temperature Pressure Chart to determine PSIG conversions.

PHYSICAL DATA

Merchandiser Drip Pipe (in.)	1 1/2
Merchandiser Liquid Line (in.)	3/8
Merchandiser Suction Line (in.)	5/8

Estimated Charge (lb)**

	C1CWC
6 ft	1.5
8 ft	2.0

**This is an average for all refrigerant types. Actual refrigerant charge may vary by approximately half a pound.

Length Added to Lineup by Each

End or Insulated Partition (in.) N/A

NSF Certification

These merchandisers are manufactured to meet ANSI /National Sanitation Foundation (NSF®) Standard #7 requirements.

Impact C1CWC Prepackaged Meat & Delicatessen

Electrical Data

Number of Fans	6 ft	8 ft
Refrigeration – 9W	4	6
Export – 9W	4	6

Merchandiser	Amperes		Watts	
	6 ft	8 ft	6 ft	8 ft
Fans (Refrigeration)				
120V 60Hz Standard	0.62	0.62	48	48
120V 60Hz Energy Efficient	NA	NA	NA	NA
230V 50Hz Export	NA	NA	NA	NA
Constant On Anti-sweat Heaters	0.2	0.26	24	32

Minimum Circuit Ampacity		
120V 60Hz Standard	0.9	0.9
120V 60Hz Energy Efficient	NA	NA
230V 50Hz Export	NA	NA

Maximum Over Current Protection 120V	20	20
230V 50Hz Export	NA	NA

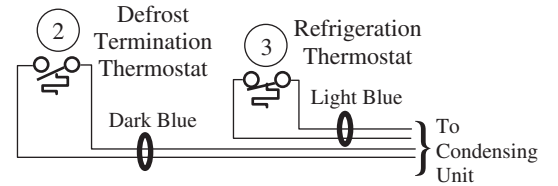
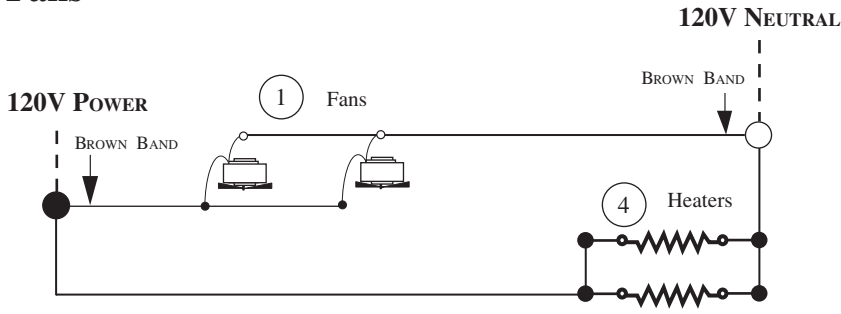
208V Electric Defrost Heaters	NA	NA	NA	NA
--------------------------------------	----	----	----	----

208V Gas Defrost Heaters	NA	NA	NA	NA
---------------------------------	----	----	----	----

Optional Light Bar	6 ft	8ft	6 ft	8 ft
1 Row	0.51	0.51	62	62

Fan Wiring Offtime Defrost

2 Fans



WARNING

All components must have mechanical ground, and the merchandiser must be grounded.

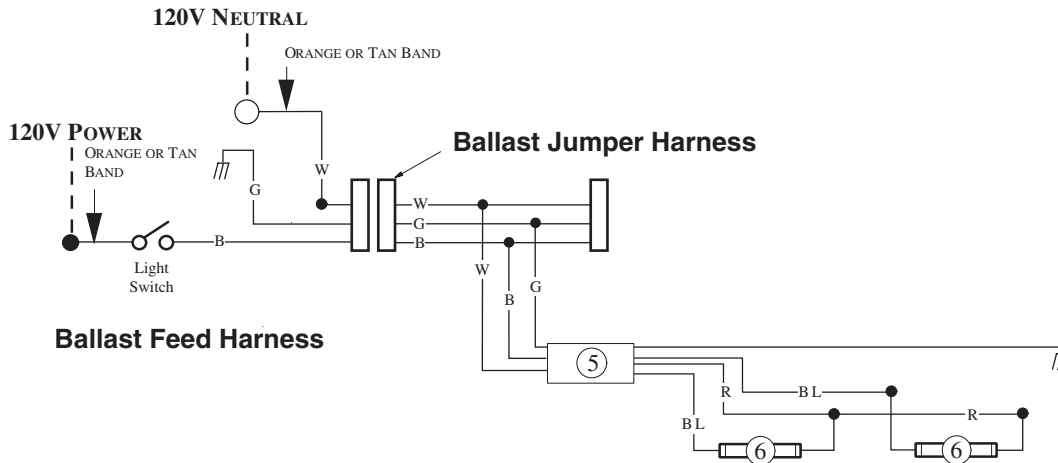
CIRCLED NUMBERS = PARTS LIST ITEM NUMBERS

R = Red Y = Yellow G = Green BL = Blue B = Black W = White

● = 120V POWER ○ = 120V NEUTRAL ≡ = FIELD GROUND ≡≡ = CASE GROUND

Light Circuits

Standard Lighting for Optional Light Bar — 1 Row



WARNING

All components must have mechanical ground, and the merchandiser must be grounded.

CIRCLED NUMBERS = PARTS LIST ITEM NUMBERS

Grayed components in 12 foot models only.

R = Red Y = Yellow G = Green BL = Blue B = Black W = White

● = 120V POWER ○ = 120V NEUTRAL