

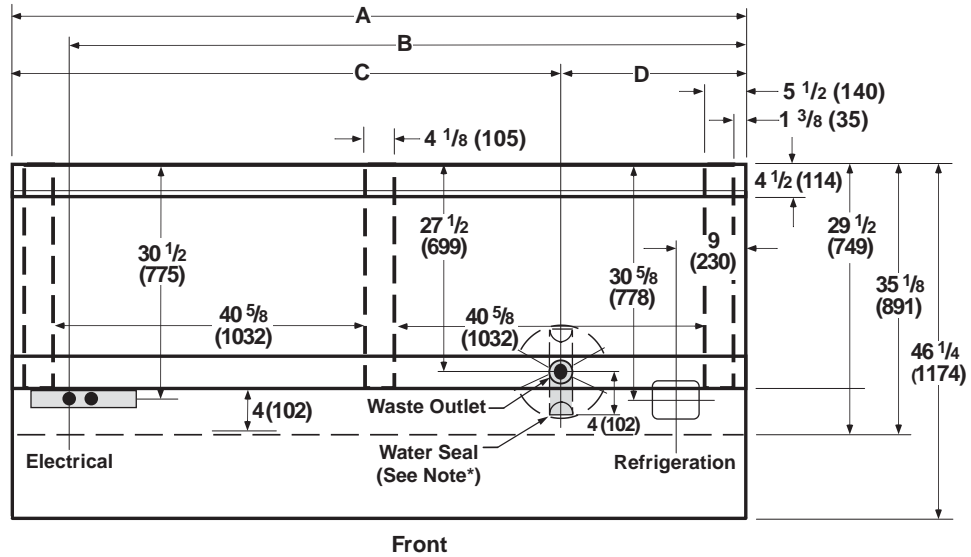
Item	Part #	Description	Wiring Item #	Item	Part #	Description	Wiring Item #
FAN ASSEMBLIES, AND THERMOSTATS				LAMPS AND BALLASTS			
A.	6W Fan Assembly		(1)			None	
	0058698	Fan Motor, Evaporator					
	0382383	Fan Blade embossing toward motor					
B.	0382028	Standard Non-adjustable Thermostat	(2)				
C.	0137880	Optional Adjustable Refrigeration Thermostat	(3)				

Engineering Plan Views





Dimensions shown as inches and (mm).

Meat and Produce

11-2003



Front

	8 Ft	12 ft
General		
(A) Length of Case (<i>without ends or partitions</i>)	96 3/8 (2448)	144 1/2 (3670)
Maximum outside dimensions of case back to front (<i>includes bumper</i>)	46 1/4 (1174)	46 1/4 (1174)
Back of case to front of splashguard	35 1/8 (891)	35 1/8 (891)
Back of case to outside edge of front skidrail	29 1/2 (749)	29 1/2 (749)
Width of skidrail	4 1/2 (114)	4 1/2 (114)
Right end of case to inside edge of external support	5 1/2 (140)	5 1/2 (140)
Distance between inside edges of external support and center support	40 5/8 (1032)	40 5/8 (1032)
Distance between inside edges of center supports	NA	44 (1118)
Width of external support	4 1/8 (105)	4 1/8 (105)
Stub-up area between front skidrail and splashguard	4 (102)	4 (102)
Electrical Service  (<i>Electrical Field Wiring connection point</i>)		
(B) Right end of case to center of farthest knockout	88 3/8 (2245)	136 1/2 (3467)
Back outside of case to center of knockout	30 1/2 (775)	30 1/2 (775)
Length of electrical raceway	34 1/2 (878)	34 1/2 (878)
Waste Outlet 		
(C) Left end of case to center of waste outlet	72 1/4 (1835)	72 1/4 (1835)
(D) Right end of case to center of waste outlet	24 1/8 (613)	72 1/4 (1835)
Back outside of case to center of waste outlet	27 1/2 (699)	27 1/2 (699)
Water Seal 		
Edge of water seal to center of waste outlet	4 (102)	4 (102)
Outside diameter of drip pipe	1 1/2 (38)	1 1/2 (38)
*Note: Water seal outlet must clear front skid rail.		
Refrigeration Outlet 		
Right end of case to center of refrigeration outlet	9 (230)	9 (230)
Back outside of case to center of refrigeration outlet	30 5/8 (778)	30 5/8 (778)

Impact M1DE
Meat/Delicatessen
Precut & Packaged Produce

REFRIGERATION DATA

Note: This data is based on store temperature and humidity that does not exceed 75°F and 55% R.H.

	M1DE
Discharge Air °F	27
Evaporator °F	18
Unit Sizing °F	16

Btu/hr/ft**	M1DE
Parallel	495
Conventional	530
**For all refrigeration equipment other than Hussmann, use conventional BTU values.	

DEFROST DATA

	M1DE
Frequency (hr)	6
Defrost Water (lb/ft/day)	2
(±15% based on case configuration and product loading.)	

OFFTIME	M1DE
Temp Term °F	43°F
Failsafe Minutes	35

ELECTRIC OR GAS Not Recommended

Standard Defrost Thermostat
 Close on rise: close 43°F — open 33°F

CONVENTIONAL CONTROLS

Low Pressure Backup Control	M1DE
C/CO**	14/8°F

Indoor Unit Only, Pressure Defrost Termination** 48°F

****Use a Temperature Pressure Chart to determine PSIG conversions.**

PHYSICAL DATA

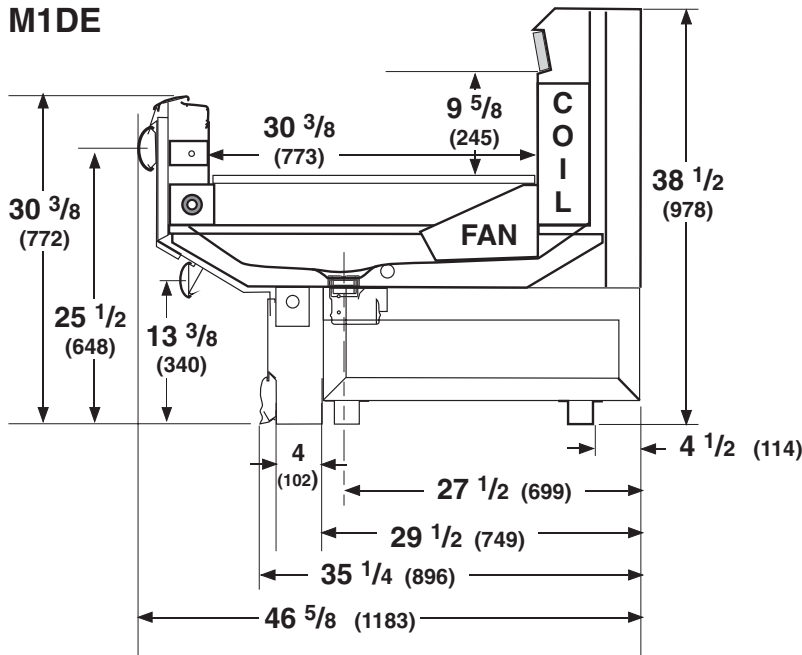
Merchandiser Drip Pipe (in.)	1 1/2
Liquid Line (in.)	3/8
Suction Line (in.)	5/8

Estimated Charge (lbs)***	M1DE
8 ft	1.7
12 ft	2.3

*****This is an average for all refrigerant types actual refrigerant charge may vary by approximately half a pound.**

Length (in.) Added to Lineup by Each End or Insulated Partition	1 1/2
--	-------

Dimensions shown as inches and (mm).



NSF Certification

These merchandisers are manufactured to meet ANSI /National Sanitation Foundation (NSF®) Standard #7 requirements.

Impact M1DE
Meat/Delicatessen
Precut & Packaged Produce

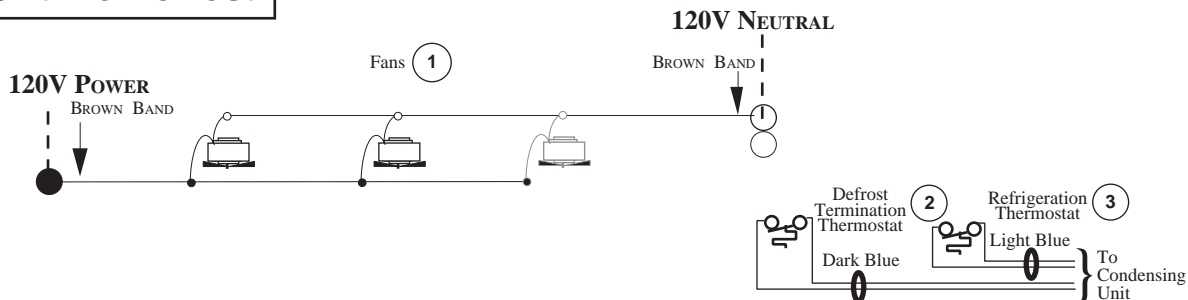
Electrical Data

	8 ft	12 ft		
Number of Fans — 6W	2	3		
	Amperes		Watts	
	8 ft	12 ft	8 ft	12 ft
Merchandiser				
Fans				
Standard (120V 60Hz)	1.00	1.50	78	117
Export (230V 50Hz)	0.56	0.84	88	132
Energy Efficient (120V 60Hz)	0.52	0.78	36	54
Minimum Circuit Ampacity				
With Standard Fans (120V 60Hz)	1.20	1.70		
Export (230V 50Hz)	0.76	1.04		
With Energy Efficient Fans (120V 60Hz)	0.72	0.98		
Maximum Over Current Protection 120V	20	20		
Maximum Over Current Protection 230V	15	15		
Supplemental Gas Heaters	NA			
208V 1Φ Electric Defrost	NA			

Standard Lighting	Optional Lighting	Optional Shelf Lighting
None	None	None

Fan Wiring
Offtime Defrost

2 & 3 Fans



WARNING

All components must have mechanical ground, and the merchandiser must be grounded.

CIRCLED NUMBERS = PARTS LIST ITEM NUMBERS

GRAYED COMPONENTS IN 12 FOOT MODELS ONLY.

● = 120V POWER ○ = 120V NEUTRAL