

Item	Part #	Description	Wiring Item #	Item	Part #	Description	Wiring Item #
FAN ASSEMBLIES, AND THERMOSTATS				LAMPS AND BALLASTS			
A.	<u>4W</u> Fan Assembly		(1)			None	
	0392457	Fan Motor, Evaporator					
	0376413	Fan Blade embossing toward motor					
B.	0382028	Standard Non-adjustable Thermostat	(2)				
C.	0137880	Optional Adjustable Refrigeration Thermostat	(3)				

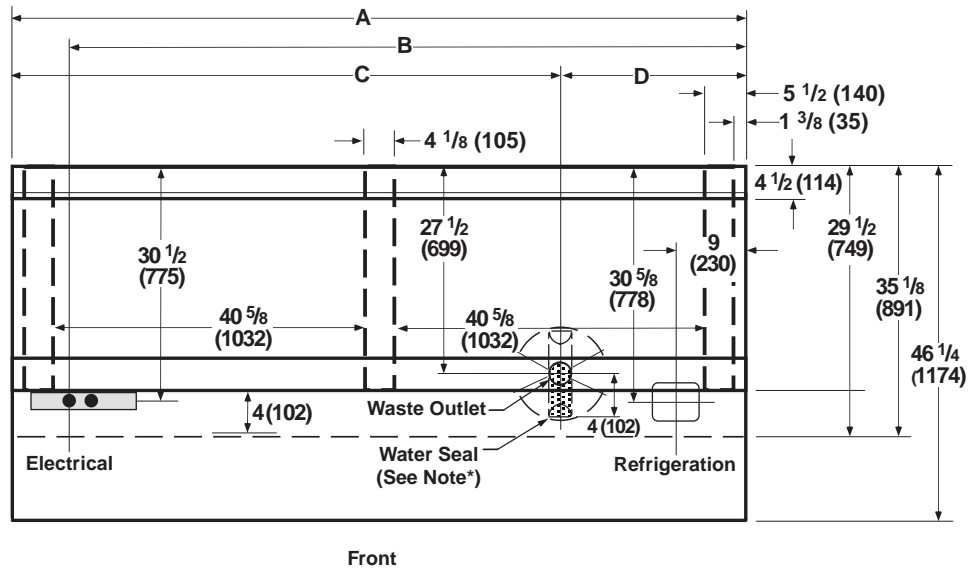
Note: Changed items have been underlined.

Engineering Plan Views

Dimensions shown as inches and (mm).

Bulk Produce

06-2003



	8 Ft	12 ft
General		
(A) Length of Case (<i>without ends or partitions</i>)	96 ³ / ₈ (2448)	144 ¹ / ₂ (3670)
Maximum outside dimensions of case back to front (<i>includes bumper</i>)	46 ¹ / ₄ (1174)	46 ¹ / ₄ (1174)
Back of case to front of splashguard	35 ¹ / ₈ (891)	35 ¹ / ₈ (891)
Back of case to outside edge of front skidrail	29 ¹ / ₂ (749)	29 ¹ / ₂ (749)
Width of skidrail	4 ¹ / ₂ (114)	4 ¹ / ₂ (114)
Right end of case to outside edge of external support	5 ¹ / ₂ (140)	5 ¹ / ₂ (140)
Distance between inside edges of external support and center support	40 ⁵ / ₈ (1032)	40 ⁵ / ₈ (1032)
Distance between inside edges of center supports	NA	44 (1118)
Stub-up area between front skidrail and splashguard	4 (102)	4 (102)
Electrical Service (<i>Electrical Field Wiring connection point</i>)		
(B) Right end of case to center of farthest knockout	88 ³ / ₈ (2245)	136 ¹ / ₂ (3467)
Back outside of case to center of knockout	30 ¹ / ₂ (775)	30 ¹ / ₂ (775)
Length of electrical raceway	34 ¹ / ₂ (878)	34 ¹ / ₂ (878)
Waste Outlet		
(C) Left end of case to center of waste outlet	72 ¹ / ₄ (1835)	72 ¹ / ₄ (1835)
(D) Right end of case to center of waste outlet	24 ¹ / ₈ (613)	72 ¹ / ₄ (1835)
Back outside of case to center of waste outlet	27 ¹ / ₂ (699)	27 ¹ / ₂ (699)
Water Seal		
Edge of water seal to center of waste outlet	4 (102)	4 (102)
Outside diameter of drip pipe	1 ¹ / ₂ (38)	1 ¹ / ₂ (38)
*Note: Water seal outlet must clear front skid rail.		
Refrigeration Outlet		
Right end of case to center of refrigeration outlet	9 (230)	9 (230)
Back outside of case to center of refrigeration outlet	30 ⁵ / ₈ (778)	30 ⁵ / ₈ (778)

Impact P1X49
Bulk Produce

REFRIGERATION DATA

Note: This data is based on store temperature and humidity that does not exceed 75°F and 55% R.H.

	P1X49
Discharge Air °F	31
Evaporator °F	24
Unit Sizing °F	22
Btu/hr/ft**	P1X49
Parallel	559
Conventional	594

**For all refrigeration equipment other than Hussmann, use conventional BTU values.

DEFROST DATA

	P1X49
Frequency (hr)	8
Defrost Water (lb/ft/day) (±15% based on case configuration and product loading.)	4
OFFTIME	P1X49
Temp Term °F	43°F
Failsafe Minutes	35
ELECTRIC OR GAS	Not Recommended

Standard Defrost Thermostat
Close on rise: close 43°F — open 33°F

CONVENTIONAL CONTROLS

Low Pressure Backup Control	P1X49
CI/CO**	14/4°F

Indoor Unit Only, Pressure Defrost Termination** 48°F
**Use a Temperature Pressure Chart to determine PSIG conversions.

PHYSICAL DATA

Merchandise Drip Pipe (in.)	1 1/2
Liquid Line (in.)	3/8
Suction Line (in.)	5/8

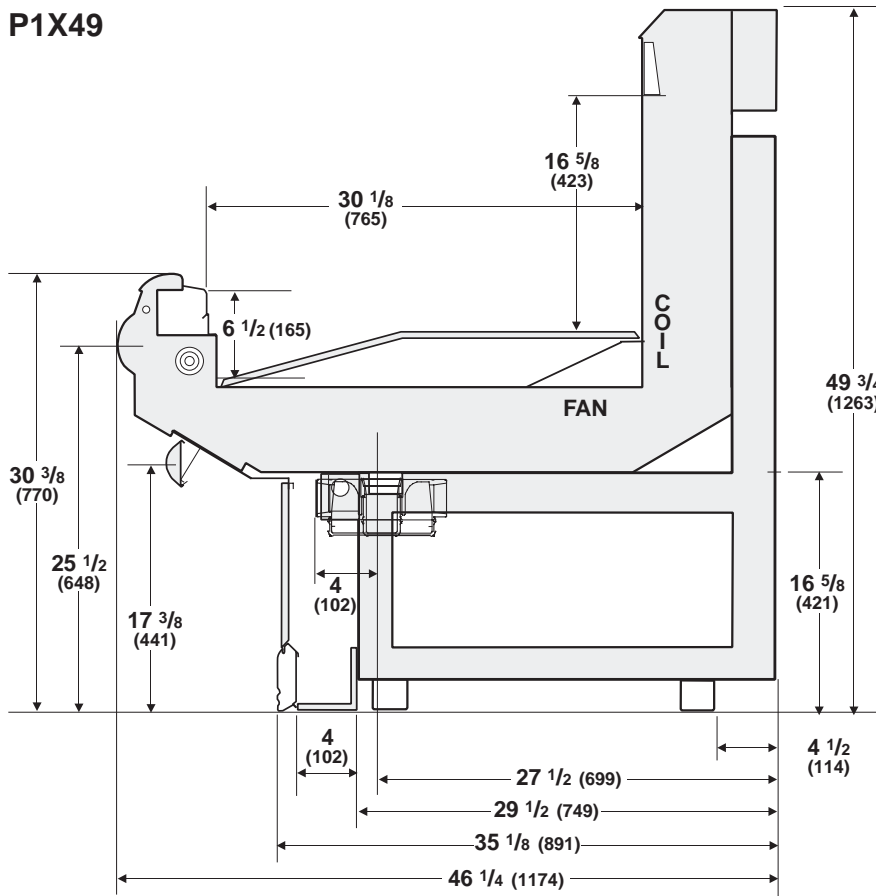
Estimated Charge (lbs)***	P1X49
8 ft	1.5
12 ft	2.0

***This is an average for all refrigerant types actual refrigerant charge may vary by approximately half a pound.

Length (in.) Added to Lineup by Each End or Insulated Partition 1 1/2

Dimensions shown as inches and (mm).

P1X49



NSF Certification

These merchandisers are manufactured to meet ANSI /National Sanitation Foundation (NSF®) Standard #7 requirements.

Impact P1X49
Bulk Produce

Electrical Data

	8 ft	12 ft		
Number of Fans — 4W	2	3		
	Amperes		Watts	
Merchandise	8 ft	12 ft	8 ft	12 ft
Fans				
Standard (120V 60Hz)	0.62	0.93	72	120
Export (230V 50Hz)	0.36	0.54	54	81
Energy Efficient (120V 60Hz)	0.28	0.42	20	30
Constant on Anti-sweat Heaters	NA			
Cycling Anti-sweat Heaters	NA			
Minimum Circuit Ampacity				
With Standard Fans (120V 60Hz)	0.82	1.13		
Export (230V 50Hz)	0.56	0.74		
With Energy Efficient Fans (120V 60Hz)	0.48	0.62		
Maximum Over Current Protection 120V	20	20		
Supplemental Gas Heaters	NA			
208V 1Φ Electric Defrost	NA			

Standard Lighting

None

Optional Lighting

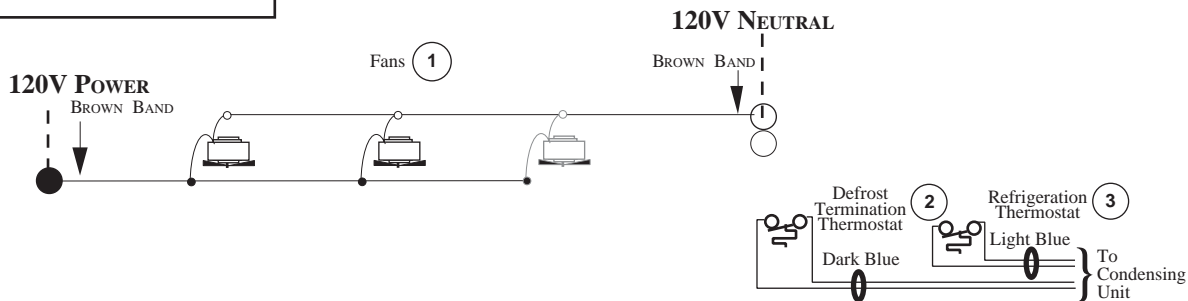
None

Optional Shelf Lighting

None

Fan Wiring Offtime Defrost

2 & 3 Fans



WARNING

All components must have mechanical ground, and the merchandiser must be grounded.

CIRCLED NUMBERS = PARTS LIST ITEM NUMBERS

GRAYED COMPONENTS IN 12 FOOT MODELS ONLY.

● = 120V POWER ○ = 120V NEUTRAL