

We reserve the right to change or revise specifications and product design in connection with any feature of our products. Such changes do not entitle the buyer to corresponding changes, improvements, additions or replacements for equipment previously sold or shipped.

Item	Part #	Description	Wiring Item #	Item	Part #	Description	Wiring Item #
FAN ASSEMBLIES AND THERMOSTATS				HEATERS			
A.	6W Fan Assembly		(1)	C.	Canopy Anti-Sweat Heater		(3)
	0058698	Fan Motor, Evaporator		NA	4 ft		
	0142780	Fan Blade embossing toward motor		0109417	6 ft		
				0109417	8 ft		
				0109418	12 ft		
B.	0137880	Optional Adjustable Refrigeration Thermostat	(2)	LAMPS AND BALLASTS			
				D.	Ballast, Electronic		(4)
				0376409	2 lamps		
				0376410	3 lamps		
				E.	Fluorescent Lamp		(5)
					<i>Replace with like fixtures</i>		

Note: Changes are NOT underlined.
Revision A added the canopy anti-sweat heater (pages 1, 4, 5 & 8); added 4-ft and 6-ft data (pages 1, 2, 3 & 4); and updated wiring diagrams.
Revision B returned the correct data to page 3.
Revision C returned the correct data to page 1.

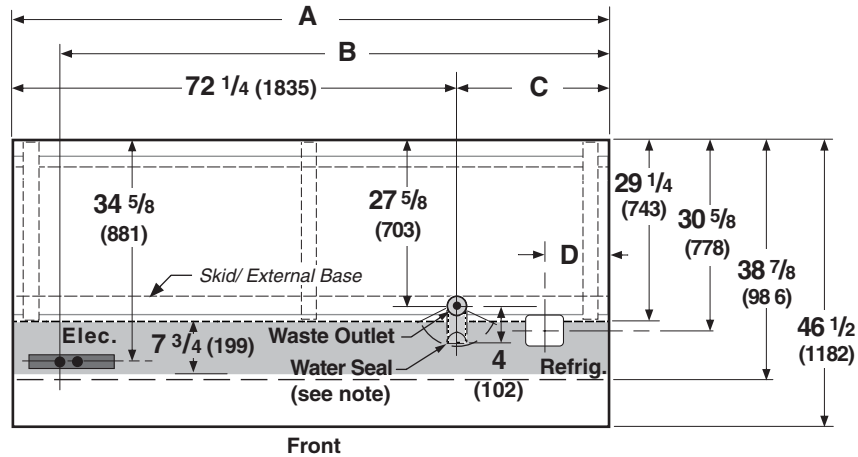
Engineering Plan Views




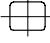
Dimensions shown as inches and (mm).

Dairy / Delicatessen Precut & Packaged Produce

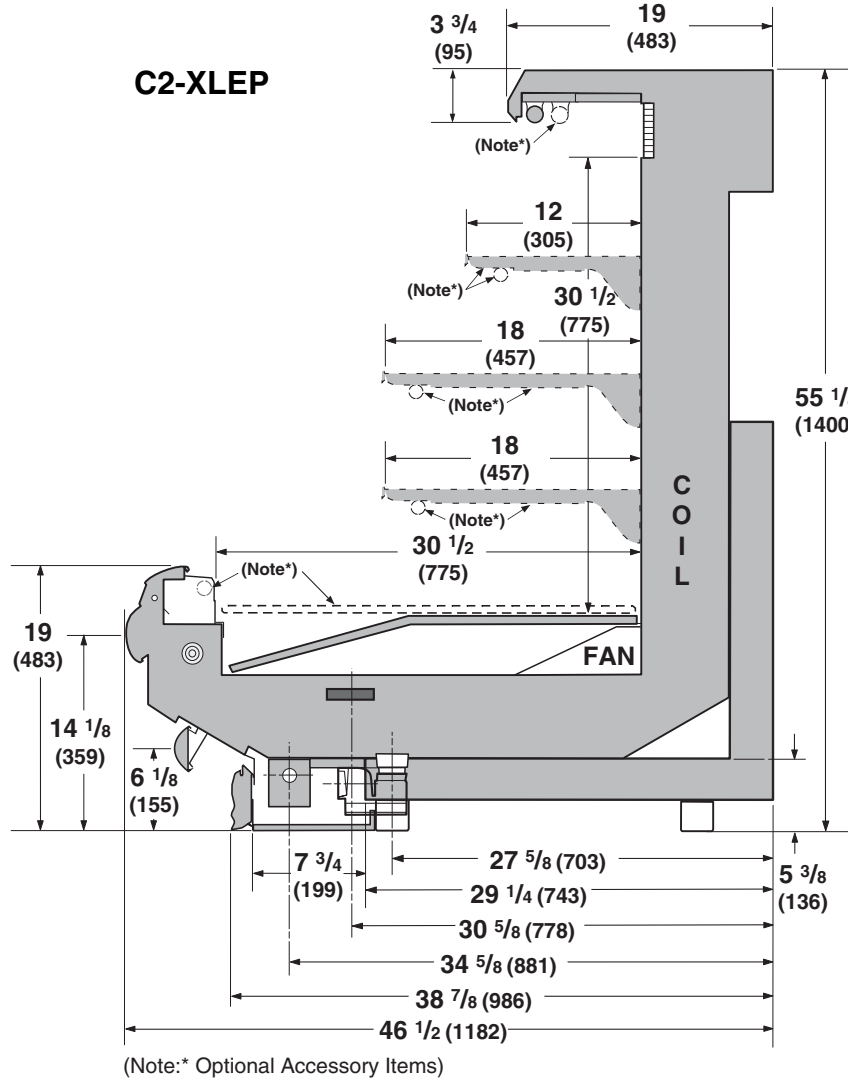
05-2003

C2XLE



	4 ft	6 ft	8 ft	12 ft
General				
(A) Case Length (without ends or partitions) <i>(Each end and insulated partition adds 1 1/2 in. (38 mm) to case line up.)</i>	48 1/4 (1226)	72 3/8 (1838)	96 3/8 (2448)	144 1/2 (3670)
Maximum O/S dimension of case				
back to front (includes bumper)	46 1/2 (1182)	46 1/2 (1182)	46 1/2 (1182)	46 1/2 (1182)
Back of case to front of splashguard	38 7/8 (986)	38 7/8 (986)	38 7/8 (986)	38 7/8 (986)
Back of case to O/S edge of front skid rail	29 1/4 (743)	29 1/4 (743)	29 1/4 (743)	29 1/4 (743)
Width of skid rail	4 1/2 (114)	4 1/2 (114)	4 1/2 (114)	4 1/2 (114)
RH end of case to outside edge of external support	5 1/2 (140)	5 1/2 (140)	5 1/2 (140)	5 1/2 (140)
Distance between edges of external and center supports	NA	31 1/8 (790)	40 5/8 (1032)	40 5/8 (1032)
Distance between edges of center supports	41 1/4 (1048)	NA	NA	44 (1118)
Stub-up area between front skid rail and splashguard	7 3/4 (199)	7 3/4 (199)	7 3/4 (199)	7 3/4 (199)
Electrical Service  <i>(Electrical Field Wiring connection point)</i>				
(B) RH End of case to center of farthest knockout	38 1/4 (972)	64 3/8 (1635)	88 3/8 (2245)	136 1/2 (3467)
Back O/S of case to center of knockout	34 5/8 (881)	34 5/8 (881)	34 5/8 (881)	34 5/8 (881)
Length of electrical raceway	16 1/8 (410)	34 1/2 (876)	35 5/8 (903)	35 5/8 (903)
Waste Outlet 				
(C) RH End of case to the center of waste outlet	24 1/8 (613)	24 1/8 (613)	24 1/8 (613)	72 1/4 (1835)
LH End of case to the center of waste outlet	24 1/8 (613)	48 1/4 (1226)	72 1/4 (1835)	72 1/4 (1835)
Water Seal 				
Edge of water seal to center of waste outlet	4 (102)	4 (102)	4 (102)	4 (102)
Outside diameter of the drip pipe	1 1/2 (38)	1 1/2 (38)	1 1/2 (38)	1 1/2 (38)
<i>Note: Water seal outlet must clear front skid rail.</i>				
Refrigeration Outlet 				
Back of case to center of refrigeration outlet	30 5/8 (778)	30 5/8 (778)	30 5/8 (778)	30 5/8 (778)
(D) RH end of case to center of refrigeration outlet	9 (230)	9 (230)	9 (230)	9 (230)

Dimensions shown as inches and (mm).



Impact C2-XLEP
Dairy / Delicatessen
Precut & Packaged Produce

REFRIGERATION DATA

Note: This data is based on store temperature and humidity that does not exceed 75°F and 55% R.H.

C2-XLEP	UNLIT	LIT
Discharge Air (°F)	32	30
Evaporator (°F)	28	26
Unit Sizing (°F)	26	24

Btu/hr/ft*	UNLIT	LIT
Parallel	900	970
Conventional	960	1030

*For all refrigeration equipment other than Hussmann, use conventional Btu values.

DEFROST DATA

	C2-XLEP
Frequency (hr)	8
Defrost Water (lb/ft/day)	7

(± 15% based on case configuration and product loading).

OFF TIME	C2-XLEP
Time (minutes)	30

ELECTRIC OR GAS Not Recommended

CONVENTIONAL CONTROLS

Low Pressure Backup Control	C2-XLEP
CI/CO**	19°F / 9°F

Indoor Unit Only, Pressure Defrost Termination** 48°F
 **Use a Temperature Pressure Chart to determine PSIG conversions.

PHYSICAL DATA

Merchandiser Drip Pipe (in.)	1 1/2
Merchandiser Liquid Line (in.)	3/8
Merchandiser Suction Line (in.)	7/8

Estimated Charge (lb)***	
4 ft	1.6
6 ft	2.3
8 ft	3.2
12 ft	4.5

***This is an average for all refrigerant types. Actual refrigerant charge may vary by approximately half a pound.

NSF Certification

These merchandisers are manufactured to meet ANSI /National Sanitation Foundation (NSF®) Standard #7 requirements.

Impact C2-XLEP Dairy / Delicatessen Precut & Packaged Produce
--

Electrical Data

			4 ft	6 ft	8 ft	12 ft						
Number of Fans—6W			1	2	2	3						
				Amperes					Watts			
			4 ft	6 ft	8 ft	12 ft		4 ft	6 ft	8 ft	12 ft	
Evaporator Fan												
120V 60Hz Standard			0.50	1.00	1.00	1.50		39	78	78	117	
120V 50Hz Standard			0.55	1.10	1.10	1.65		42	84	84	126	
230V 60Hz Export			0.25	0.50	0.50	0.75		40	80	80	120	
230V 50Hz Export			0.28	0.56	0.56	0.84		44	88	88	132	
120V 60Hz Energy Efficient			0.26	0.52	0.52	0.78		18	36	36	54	
230V 60Hz Energy Efficient			NA									
Canopy Anti-sweat Heaters			NA	0.75	0.75	1.00		45	90	90	120	
Minimum Circuit Ampacity												
120V 60Hz Standard			0.70	1.95	1.95	2.70						
120V 50Hz Standard			0.75	2.05	2.05	2.85						
230V 60Hz Export			0.45	1.45	1.45	1.95						
230V 50Hz Export			0.48	1.51	1.51	2.04						
120V 60Hz Energy Efficient			0.46	1.47	1.47	1.98						
230V 60Hz Energy Efficient			NA									
Maximum Over Current Protection 120V			20	20	20	20						
Maximum Over Current Protection 230V			15	15	15	15						
Standard Lighting												
1 Row Canopy			0.26	0.51	0.51	0.77		30	59	59	85	
Optional Lighting												
Additional 1 Row Canopy			0.26	0.51	0.51	0.77		30	59	59	85	
Additional 2 Row Canopy			0.51	1.02	1.02	1.54		59	118	118	170	
1 Row Rail Light			0.26	0.51	0.51	0.77		30	59	59	85	
1 Row Ledge Light			0.26	0.51	0.51	0.77		30	59	59	85	
Optional Shelf Lighting												
1 Row Shelf Receptacle			0.26	0.51	0.51	0.77		30	59	59	85	
2 Row Shelf Receptacle			0.51	1.02	1.02	1.53		59	118	118	177	

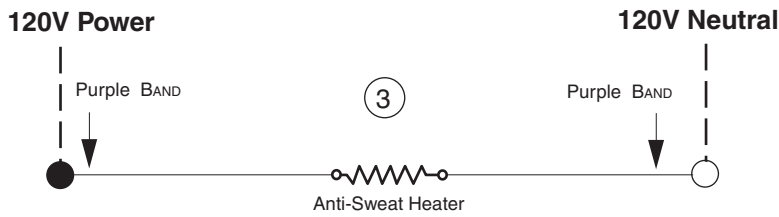
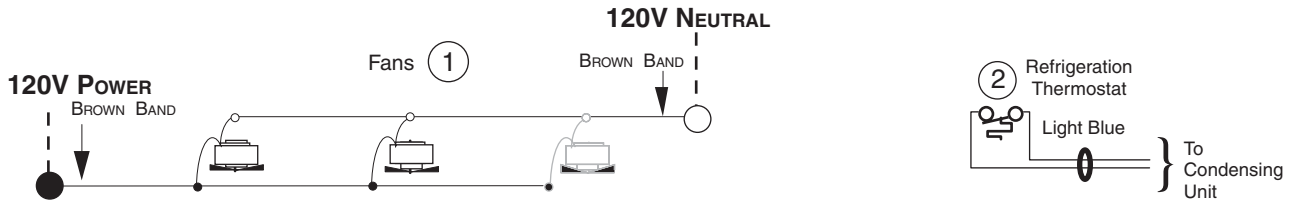
115V Lighting Circuit Total = Standard Lighting + Total Optional Lighting + Optional Shelf Lighting

230V Lighting Circuit Total = Multiply 115V Lighting Circuit Total by 0.52

1, 2 & 3 Fans

- 4 ft — 1 Fan
- 6 ft — 2 Fans
- 8 ft — 2 Fans
- 12 ft — 3 Fans

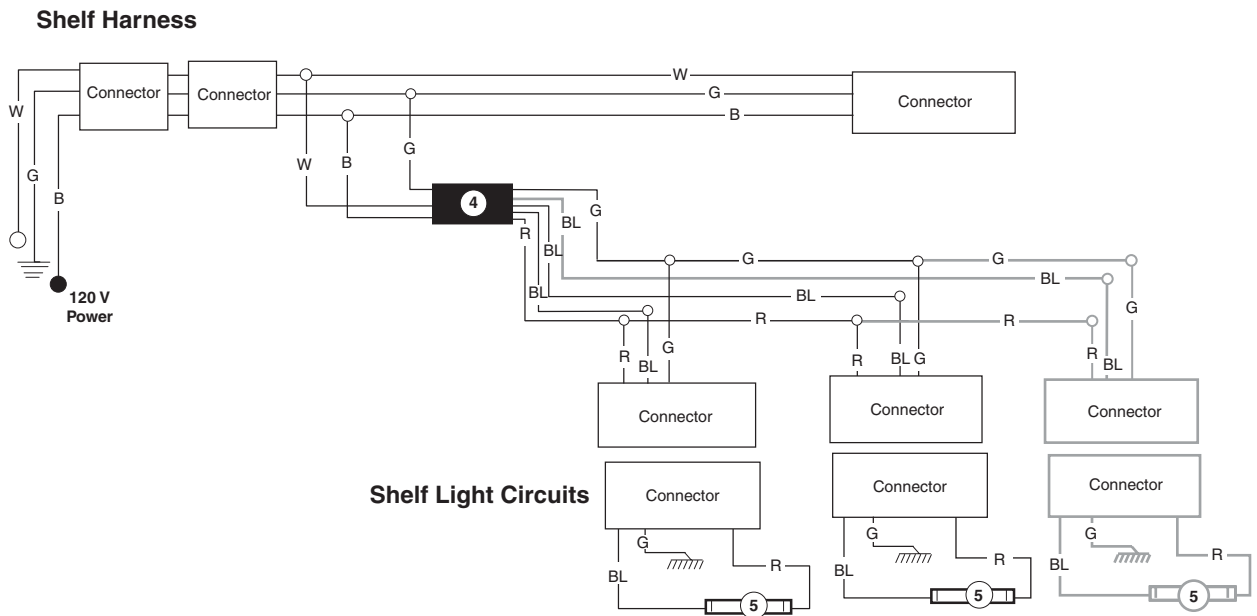
Fan Wiring Offtime Defrost



Canopy Anti-Sweat Heater

Optional Shelf Harness and Light Circuits for One Row of Shelves

Shelf Lighting



WARNING

All components must have mechanical ground, and the merchandiser must be grounded.

CIRCLED NUMBERS = PARTS LIST ITEM NUMBERS

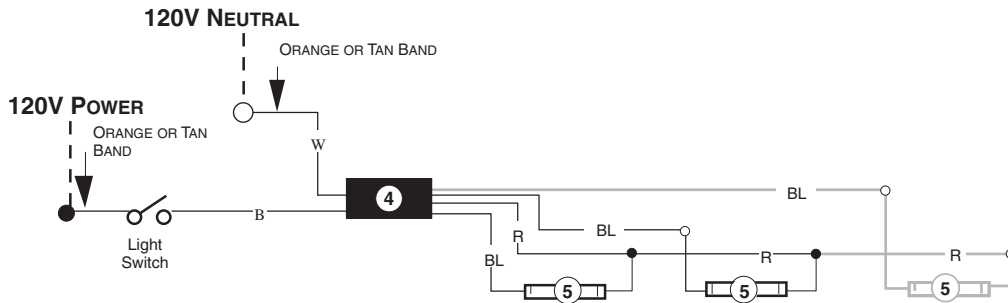
Grayed components in 12 foot models only.

R = Red Y = Yellow G = Green BL = Blue B = Black W = White

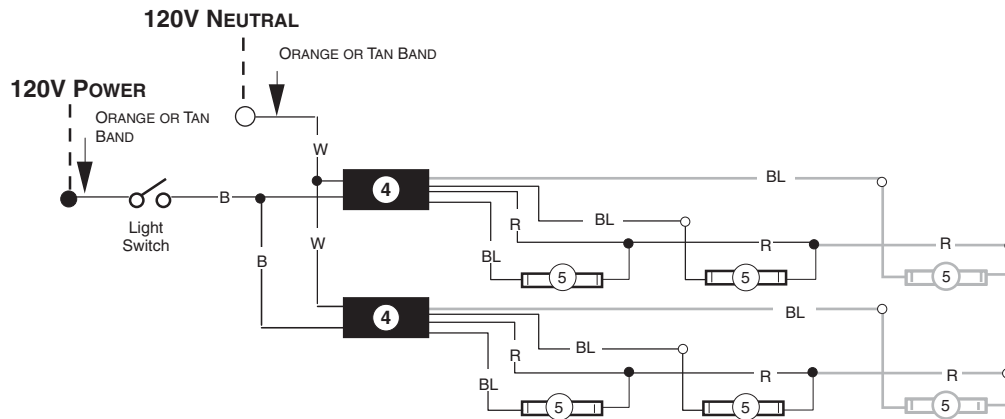
● = 120V POWER ○ = 120V NEUTRAL ≡ = Field GROUND ≡≡ = Case GROUND

Light Circuits

Standard Lighting 1 Row Canopy or Optional 1 Row Rail



Optional Lighting 2 Rows Canopy



WARNING

All components must have mechanical ground, and the merchandiser must be grounded.

CIRCLED NUMBERS = PARTS LIST ITEM NUMBERS

Grayed components in 12 foot models only.

R = Red Y = Yellow G = Green BL = Blue B = Black W = White

● = 120V POWER ○ = 120V NEUTRAL

SHELF CONFIGURATION

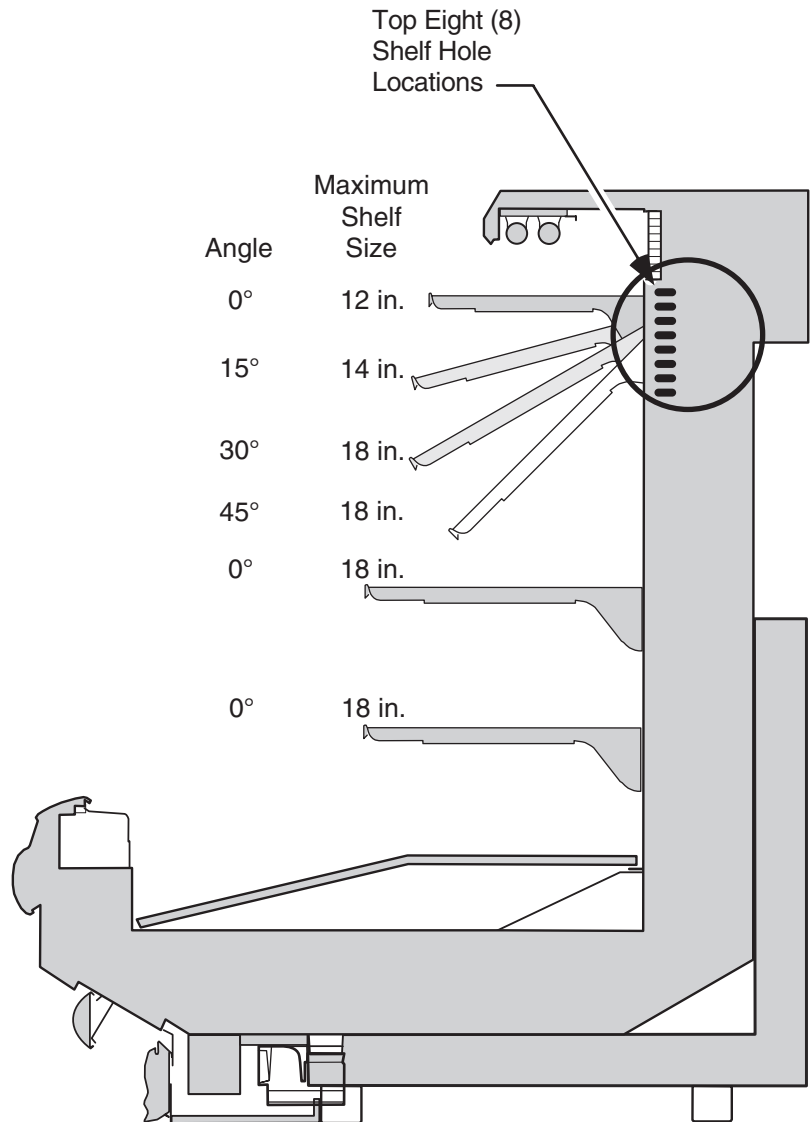
This merchandiser is designed for one, two or three shelves.

The depth of the shelf used in the top eight (8) shelf hole locations is critical to case performance.

If a shelf is placed in one of the top eight (8) locations it must comply with the angle/depth requirements listed below.

Shelf Angle	Maximum Shelf Depth
0°	12 in.
15°	14 in. or less
30°	18 in. or less
45°	18 in. or less

NOTE: Shelves placed in the lower positions may be up to 18 in. deep when positioned at a 0° angle.



Impact C2-XLEP
Dairy / Delicatessen
Precut & Packaged Produce

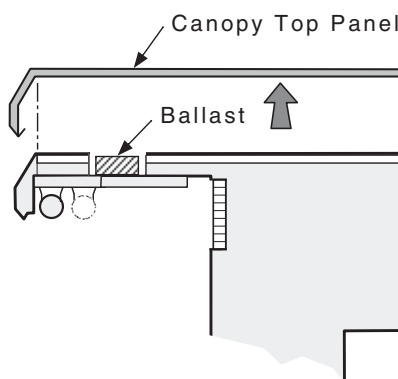
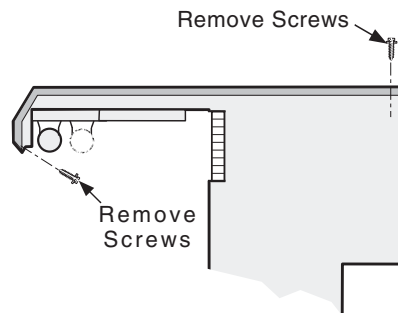
CANOPY AND SHELF LAMP BALLAST

The ballast for the canopy and shelf lamps is located behind the canopy on the left-hand end (when facing case) of the merchandiser.

To access the ballast:

1. Remove screws at bottom edge of canopy and rear of top panel.
2. Remove the one piece canopy top panel by moving panel forward slightly to clear flange in front then lifting up.
3. Service or replace ballasts as required.
4. Reassemble items as they were originally installed.

NOTE: Rail lamp ballast is located behind the lower front panel.



CANOPY ANTI-SWEAT HEATER

The canopy anti-sweat heater location is shown below. Connections are in the Electrical wireway.

