

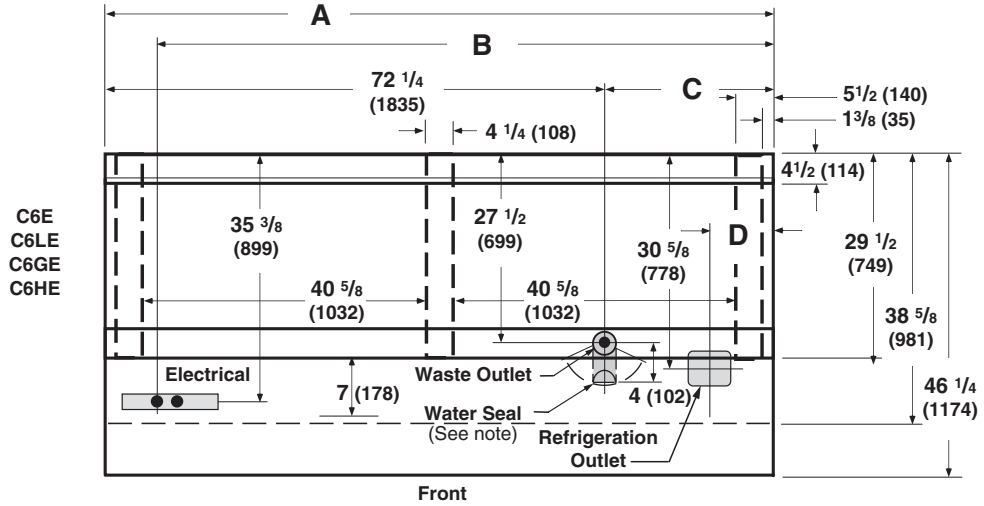
Item	Part #	Description	Wiring Item #	Item	Part #	Description	Wiring Item #
<b>FAN ASSEMBLIES AND THERMOSTATS</b>				<b>LAMPS AND BALLASTS</b>			
A.	<u>9W Fan Assembly</u>		(1)	C.	0428648	Ballast, Electronic <b>2 lamps</b>	(3)
	0047000	Fan Motor, Evaporator		C.	0428649	Ballast, Electronic <b>3 lamps</b>	(3)
	0436427	Fan Blade embossing toward motor		D.		Fluorescent Lamp <i>Replace with like fixtures</i>	(4)
B.	0137880	Optional Adjustable Refrigeration Thermostat	(2)				

**Note: Changed items have been underlined.**

# Engineering Plan Views

Dimensions shown as inches and (mm).

**Dairy**  
01-2004

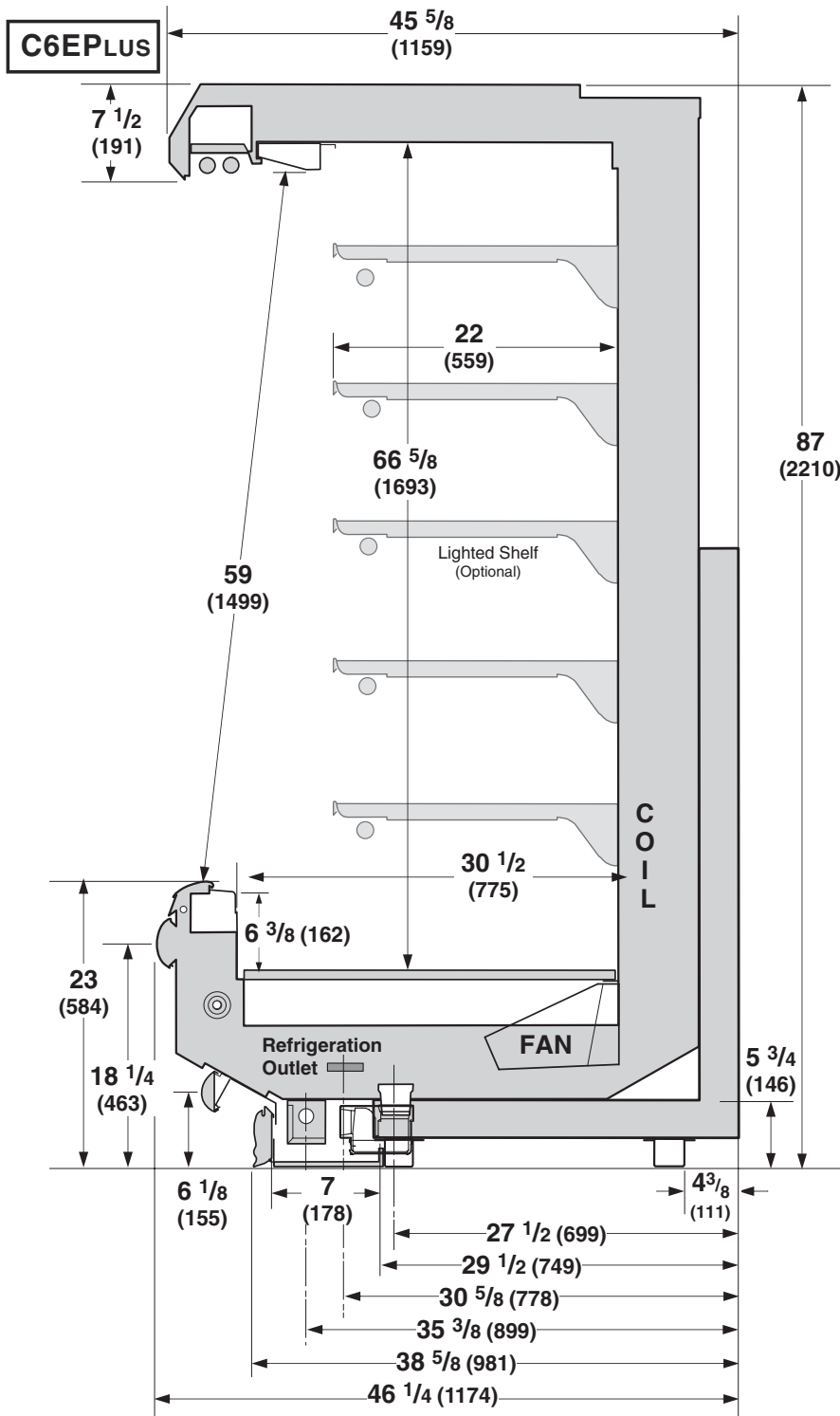


General	8 ft	12 ft
<b>(A)</b> Case Length <i>(without ends or partitions)</i>	96 3/8 (2448)	144 1/2 (3670)
Maximum O/S dimension of case back to front <i>(includes bumper)</i>	46 1/4 (1174)	46 1/4 (1174)
Back of case to front of splashguard	38 5/8 (981)	38 5/8 (981)
Back of case to O/S edge of front skid rail	29 1/2 (749)	29 1/2 (749)
Width of skid rail	4 1/2 (114)	4 1/2 (114)
RH end of case to outside edge of external support	5 1/2 (140)	5 1/2 (140)
Distance between edges of external support and center support	40 5/8 (1032)	40 5/8 (1032)
Distance between edges of center supports	NA	44 (1118)
Stub-up area between front skid rail and splashguard	7 (178)	7 (178)
<b>Electrical Service</b> <i>(Electrical Field Wiring connection point)</i>		
<b>(B)</b> RH End of case to center of farthest knockout	88 3/8 (2245)	136 1/2 (3467)
Back of case to center of knockout	35 3/8 (899)	35 3/8 (899)
Length of electrical raceway	34 5/8 (878)	34 5/8 (878)
<b>Waste Outlet</b>		
<b>(C)</b> RH End of case to the center of waste outlet	24 1/8 (613)	72 1/4 (1835)
LH End of case to the center of waste outlet	72 1/4 (1835)	72 1/4 (1835)
Back O/S of case to center of waste outlet	27 1/2 (699)	27 1/2 (699)
<b>Water Seal</b>		
Edge of water seal to center of waste outlet	4 (102)	4 (102)
Outside diameter of the drip pipe	1 1/2 (38)	1 1/2 (38)
<i>NOTE: Water seal outlet must clear front skid rail; water seal rotation in forward direction only due to low base.</i>		
<b>Refrigeration Outlet</b>		
Back of case to center of refrigeration outlet	30 5/8 (778)	30 5/8 (778)
<b>(D)</b> RH end of case to center of refrigeration outlet	9 (230)	9 (230)

Multi-deck, 5 Display Levels

Dimensions shown as in. & (mm).

**Impact C6EPLUS Dairy**



**REFRIGERATION DATA**

**Note:** This data is based on store temperature and humidity that does not exceed 75°F and 55% R.H.

C6EPLUS FOR DAIRY	UNLIT	LIT
Discharge Air °F	33	31
Evaporator °F	28	26
Unit Sizing °F	26	24

Btu/hr/ft*	C6EPLUS FOR DAIRY	
	UNLIT	LIT
Parallel	1405	1475
Conventional	1465	1535

\*For all refrigeration equipment other than Hussmann, use conventional Btu values.

**DEFROST DATA**

Frequency Hrs	12
Defrost Water (lb/ft/day)	10.5
(± 15% based on case configuration and product loading).	

OFFTIME	C6EPLUS FOR DAIRY
Time (minutes)	30

**ELECTRIC OR GAS** Not Recommended

**CONVENTIONAL CONTROLS**

Low Pressure Backup Control	
C/CO**	C6EPLUS FOR DAIRY
	19°F/9°F

**Indoor Unit Only, Pressure Defrost Termination\*\*** 48°F

\*\*Use a Temperature Pressure Chart to determine PSIG conversions.

**PHYSICAL DATA**

Drip Pipe (in.)	1 1/2
Liquid Line (in.)	3/8
Suction Line (in.)	7/8

Estimated Charge (lb)***	C6EPLUS FOR DAIRY
8 ft	3.7
12 ft	5.1

\*\*\*This is an average for all refrigerant types. Actual refrigerant charge may vary by approximately half a pound.

**Length (in.) Added to Lineup by Each End or Insulated Partition** 1 1/2

**NSF Certification**

These merchandisers are manufactured to meet ANSI /National Sanitation Foundation (NSF®) Standard #7 requirements.

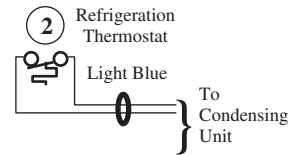
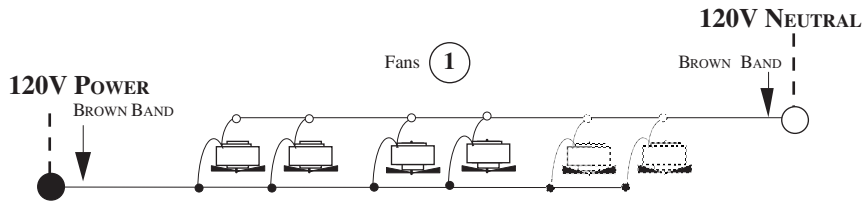
<b>Impact C6EPLUS</b> <b>Dairy</b>
---------------------------------------

## Electrical Data

	8 ft	12 ft		
<b>Number of Fans — 9W</b>	<b>4</b>	<b>6</b>		
<b>Number of Fans — 9W (Export)</b>	<b>4</b>	<b>6</b>		
(Export: 230V 50 hz shown)				
	<b>Amperes</b>		<b>Watts</b>	
<b>Merchandiser</b>	<b>8 ft</b>	<b>12 ft</b>	<b>8 ft</b>	<b>12 ft</b>
<b>Fans</b>				
Standard (120V 60Hz)	2.80	4.20	210	320
Energy Efficient (120V 60Hz)	1.52	2.28	100	150
Export (230V 50Hz)	1.52	2.28	228	342
<b>Cycling Anti-sweat Heaters</b>	NA			
<b>Minimu Circuit Ampacity</b>				
With Standard Fans (120V 60Hz)	3.00	4.40		
With Energy Efficient Fans (120V 60Hz)	1.72	2.48		
With Export Fans (230V 50Hz)	1.72	2.48		
<b>Maximum Over Current Protection</b>	20	20		
Export (230V 50Hz)	<b>15</b>	<b>15</b>		
<b>Electric Defrost Heaters (208V 1Φ)</b>	NA			
<b>Standard Lighting</b>				
1 Row Canopy	0.51	0.77	59	85
<b>Optional Lighting</b>				
1 Row Canopy and 1 Row Rail	1.02	1.54	118	170
2 Rows Canopy	1.02	1.54	118	170
2 Rows Canopy and 1 Row Rail	1.53	2.31	177	255
1 Row Ledge Lights	0.51	0.77	59	85
<b>Optional Shelf Lighting</b>				
1 Row of Shelves	0.51	0.77	59	85
2 Rows of Shelves	1.02	1.54	118	170
3 Rows of Shelves	1.53	2.31	177	255
4 Rows of Shelves	2.04	3.08	236	340
5 Rows of Shelves	2.55	3.85	295	425

# Fan Wiring Offtime Defrost

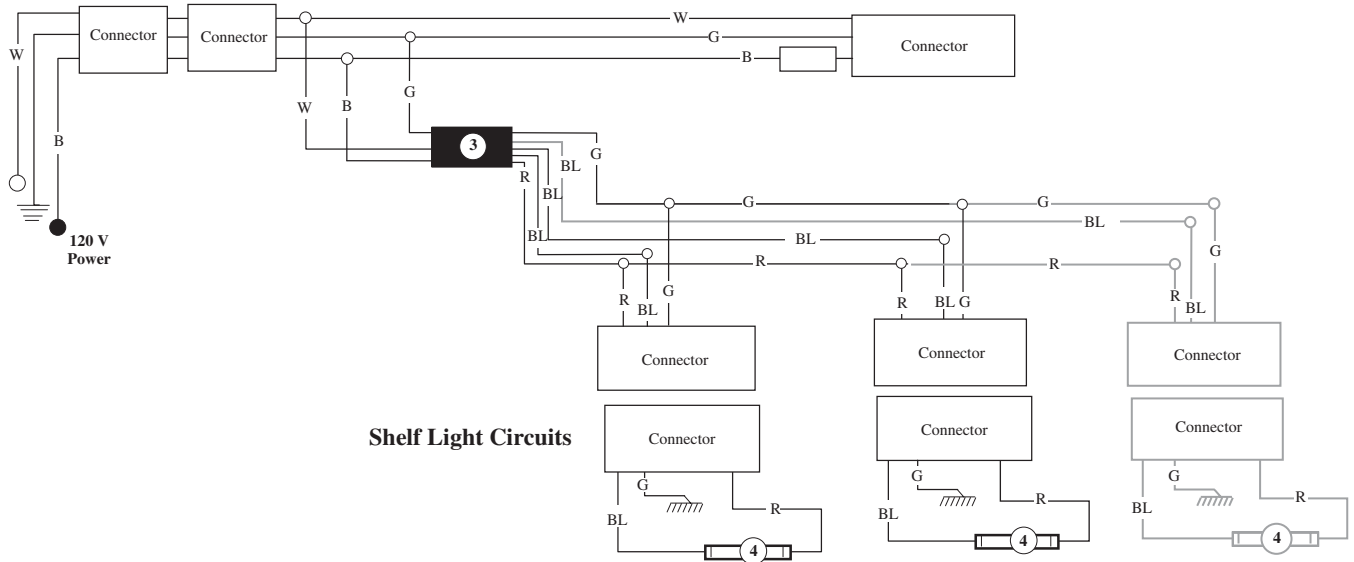
## 4 & 6 Fans



## Optional Shelf Harness and Light Circuits for One Row of Shelves

# Shelf Lighting

### Shelf Harness



### WARNING

All components must have mechanical ground, and the merchandiser must be grounded.

CIRCLED NUMBERS = PARTS LIST ITEM NUMBERS

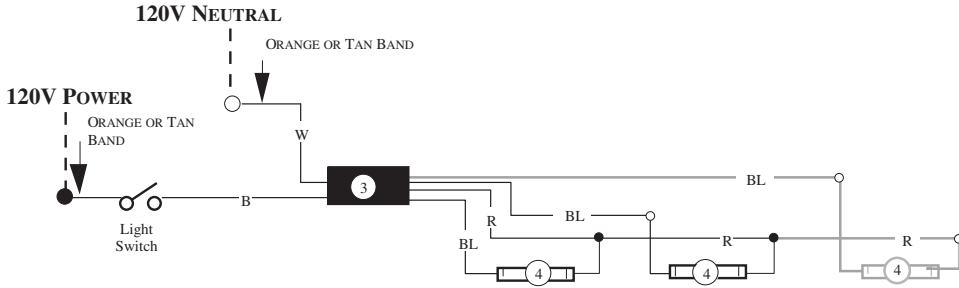
Grayed components in 12 foot models only.

R = Red Y = Yellow G = Green BL = Blue B = Black W = White

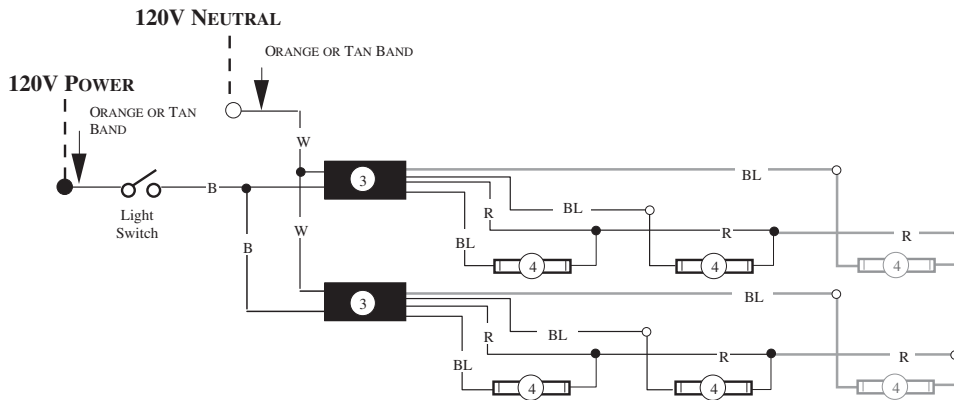
● = 120V POWER ○ = 120V NEUTRAL ≡ = FIELD GROUND ≡ = CASE GROUND

# Light Circuits

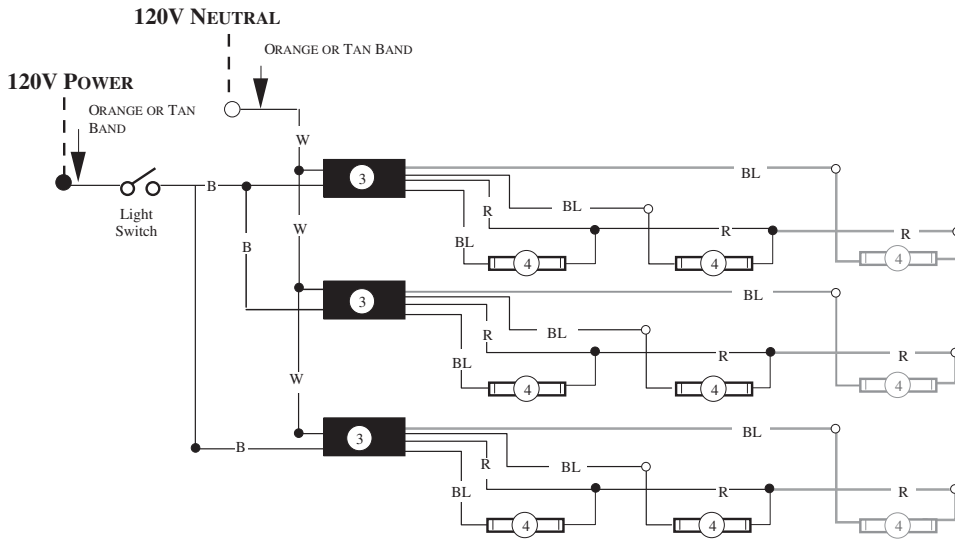
## Standard Lighting 1 Row Canopy or Optional 1 Row Rail



## Optional Lighting 2 Rows Canopy



## Optional Lighting 3 Row Canopy



### WARNING

All components must have mechanical ground, and the merchandiser must be grounded.

CIRCLED NUMBERS = PARTS LIST ITEM NUMBERS

Grayed components in 12 foot models only.

R = Red Y = Yellow G = Green BL = Blue B = Black W = White

● = 120V POWER ○ = 120V NEUTRAL