

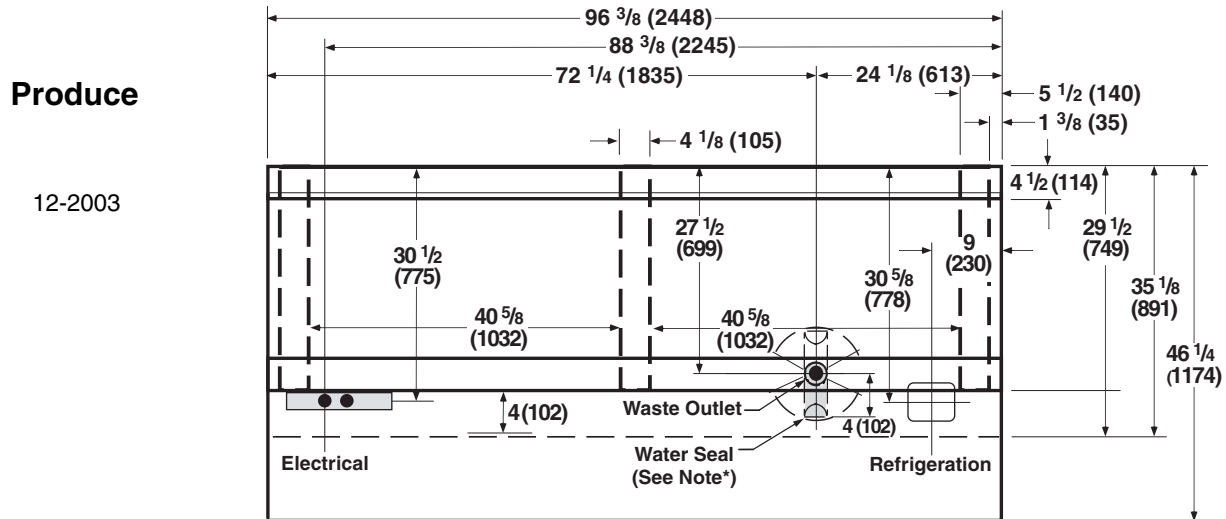
We reserve the right to change or revise specifications and product design in connection with any feature of our products. Such changes do not entitle the buyer to corresponding changes, improvements, additions or replacements for equipment previously sold or shipped.





Item	Part #	Description	Wiring Item #	Item	Part #	Description	Wiring Item #
FAN ASSEMBLIES AND THERMOSTATS				LAMPS AND BALLASTS			
A.	<u>9W Fan Assembly</u>		(1)	C.	0428648	Ballast 2 lamps	(3)
	0047000	Fan Motor, Evaporator			0428649	Ballast 3 lamps	(3)
	0380485	Fan Blade embossing toward motor		D.		Fluorescent Lamp Replace with like fixtures	(4)
B.	0137880	Optional Adjustable Refrigeration Thermostat	(2)				

Note: Changed items have been underlined.

Engineering Plan View

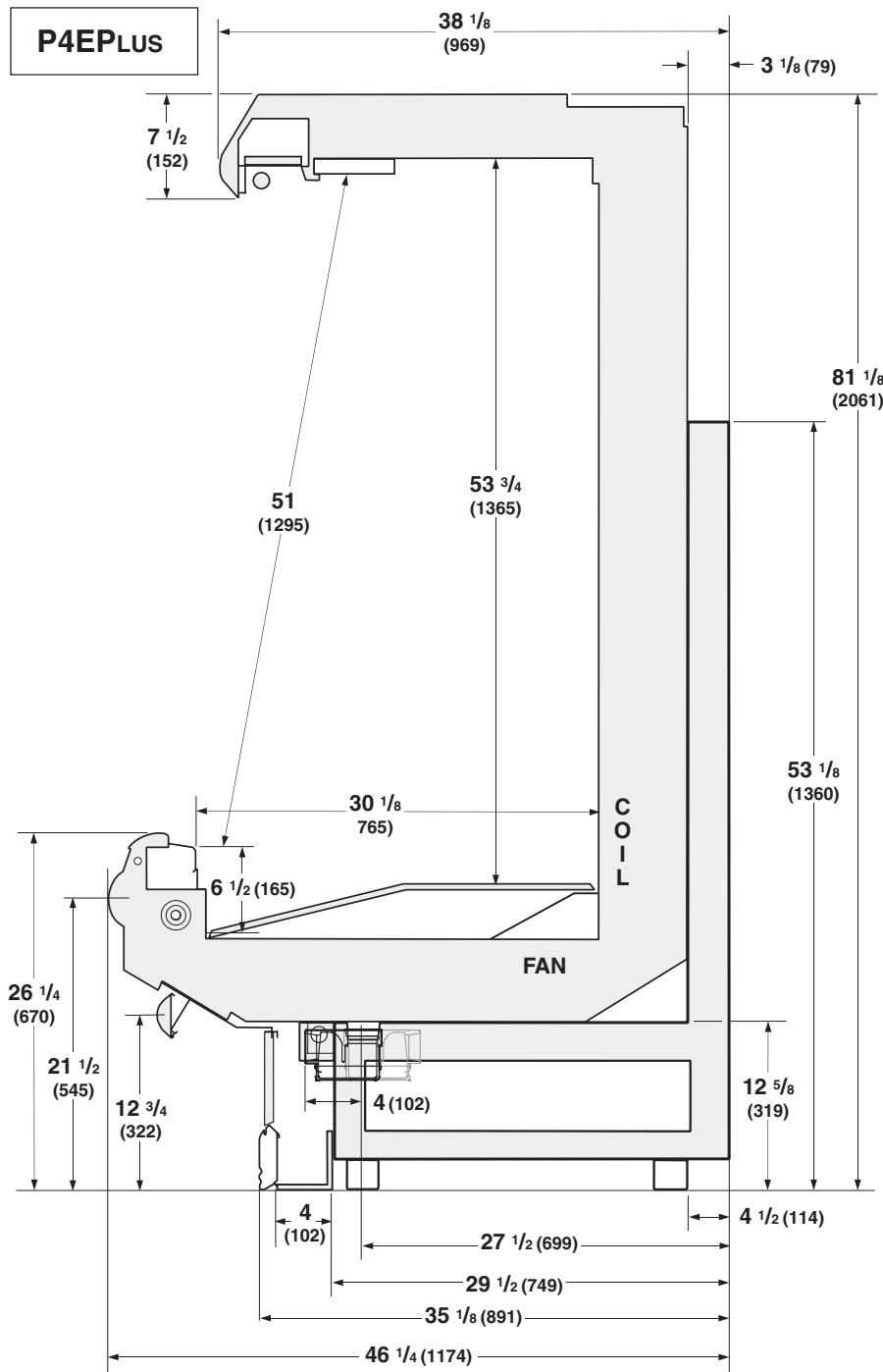
Dimensions shown as inches and (mm).



	8 Ft	12 ft
General		
Length of Case (<i>without ends or partitions</i>)	$96 \frac{3}{8}$ (2448)	$144 \frac{1}{2}$ (3670)
Maximum outside dimensions of case back to front (<i>includes bumper</i>)	$46 \frac{1}{4}$ (1174)	$46 \frac{1}{4}$ (1174)
Back of case to front of splashguard	$35 \frac{1}{8}$ (891)	$35 \frac{1}{8}$ (891)
Back of case to outside edge of front skidrail	$29 \frac{1}{2}$ (749)	$29 \frac{1}{2}$ (749)
Width of skidrail	$4 \frac{1}{2}$ (114)	$4 \frac{1}{2}$ (114)
Right end of case to outside edge of external support	$5 \frac{1}{2}$ (140)	$5 \frac{1}{2}$ (140)
Distance between inside edges of external support and center support	$40 \frac{5}{8}$ (1032)	$40 \frac{5}{8}$ (1032)
Distance between inside edges of center supports	NA	44 (1118)
Width of external support	$4 \frac{1}{8}$ (105)	$4 \frac{1}{8}$ (105)
Stub-up area between front skidrail and splashguard	4 (102)	4 (102)
Right edge of case (excluding end) to inside edge of external support	$1 \frac{3}{8}$ (35)	$1 \frac{3}{8}$ (35)
Electrical Service 		
Right end of case to center of farthest knockout	$88 \frac{3}{8}$ (2245)	$136 \frac{1}{2}$ (3467)
Back outside of case to center of knockout	$30 \frac{1}{2}$ (775)	$30 \frac{1}{2}$ (775)
Length of electrical raceway	$34 \frac{1}{2}$ (778)	$34 \frac{1}{2}$ (778)
Waste Outlet 		
Right end of case to center of waste outlet	$24 \frac{1}{8}$ (613)	$72 \frac{1}{4}$ (1835)
Left end of case to center of waste outlet	$72 \frac{1}{4}$ (1835)	$72 \frac{1}{4}$ (1835)
Back outside of case to center of waste outlet	$27 \frac{1}{2}$ (699)	$27 \frac{1}{2}$ (699)
Water Seal 		
Edge of water seal to center of waste outlet	4 (102)	4 (102)
Outside diameter of drip pipe	$1 \frac{1}{2}$ (38)	$1 \frac{1}{2}$ (38)
*Note: Water seal outlet must clear front skid rail.		
Refrigeration Outlet 		
Right end of case to center of refrigeration outlet	9 (230)	9 (230)
Back outside of case to center of refrigeration outlet	$30 \frac{5}{8}$ (778)	$30 \frac{5}{8}$ (778)

Impact P4EPLUS
All Produce

Dimensions shown as inches and (mm).



REFRIGERATION DATA

Note: This data is based on store temperature and humidity that does not exceed 75°F and 55% R.H.

P4EPLUS	MODULAR PRODUCE		
	UNLIT	LIT	INSERT*†
Discharge Air °F	33	31	33
Evaporator °F	30	28	30
Unit Sizing °F	28	26	28

* All display levels must use baffles.

Btu/hr/ft**	UNLIT	LIT	INSERT
Parallel	1275	1315	1160
Conventional	1390	1435	1265

**For all refrigeration equipment other than Hussmann, use conventional BTU values.

DEFROST DATA

	P4EPLUS
Frequency (hr)	6
Defrost Water (lb/ft/day)	9

(±15% based on case configuration and product loading.)

OFFTIME	P4EPLUS
Time (minutes)	30

ELECTRIC OR GAS Not Recommended

CONVENTIONAL CONTROLS

Low Pressure Backup Control	P4EPLUS
CI/CO***	21/11°F
Indoor Unit Only, Pressure Defrost Termination***	48°F

***Use a Temperature Pressure Chart to determine PSIG conversions.

PHYSICAL DATA

Merchandiser Drip Pipe (in.)	1 1/2
Liquid Line (in.)	3/8
Suction Line (in.)	7/8

Estimated Charge (lbs)****	P4EPLUS
8 ft	3.7
12 ft	5.1

****This is an average for all refrigerant types actual refrigerant charge may vary by approximately half a pound.

Length (in.) Added to Lineup by Each End or Insulated Partition	
	1 1/2

NSF Certification

These merchandisers are manufactured to meet ANSI /National Sanitation Foundation (NSF®) Standard #7 requirements.

† This is test data for one third-party insert. Contact your Hussmann representative for further information.

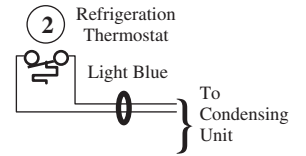
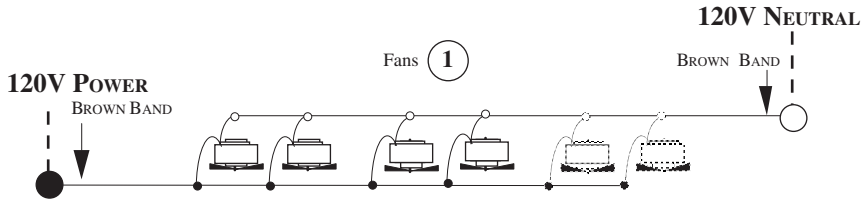
Impact P4EPLUS Bulk Produce
--

Electrical Data

	8 Ft	12 Ft		
Number of Fans — 6W	2	3		
	Amperes		Watts	
Merchandise	8 Ft	12 Ft	8 Ft	12 Ft
Fans				
Standard (120V 60Hz)	2.80	4.20	210	320
Energy Efficient (120V 60Hz)	1.52	2.28	100	150
Export (230V 50Hz)	1.52	2.28	228	342
Constant on Anti-sweat Heaters	NA			
Cycling Anti-sweat Heaters	NA			
Min. Circuit Ampacity				
With Standard Fans (120V 60Hz)	3.00	4.40		
Export (230V 50Hz)	1.72	2.48		
With Energy Efficient Fans (120V 60Hz)	1.72	2.48		
Maximum Over Current Protection 120V	20	20		
Maximum Over Current Protection 230V	15	15		
Supplemental Gas Heaters	NA			
208V 1Φ Electric Defrost	NA			
Standard Lighting				
1 Row Canopy	0.51	0.77	59	85
Optional Lighting				
1 Row Canopy and 1 Rail	1.02	1.54	118	170
2 Rows Canopy	1.02	1.54	118	170
2 Rows Canopy and 1 Row Rail	1.53	2.31	177	255
Optional Shelf Lighting				
1 Row of Shelves	0.51	0.77	59	85
2 Rows of Shelves	1.02	1.54	118	170
3 Rows of Shelves	1.53	2.31	177	255

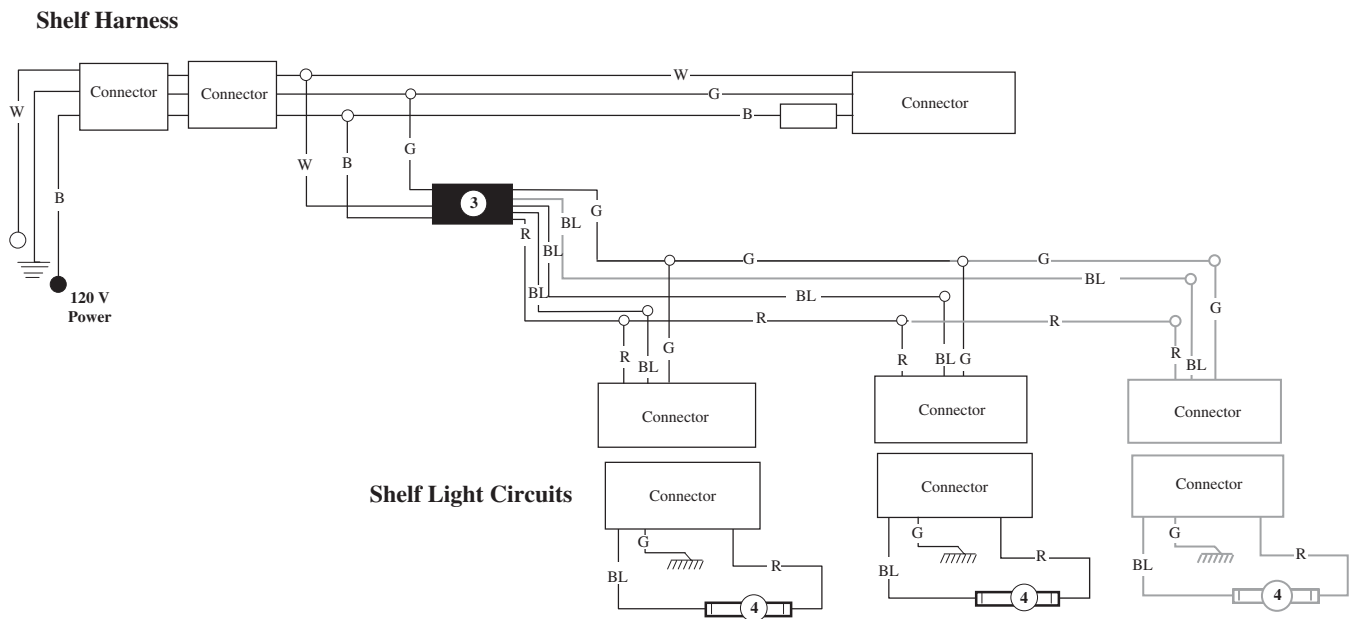
Fan Wiring Offtime Defrost

4 & 6 Fans



Optional Shelf Harness and Light Circuits for One Row of Shelves

Shelf Lighting



WARNING

All components must have mechanical ground, and the merchandiser must be grounded.

CIRCLED NUMBERS = PARTS LIST ITEM NUMBERS

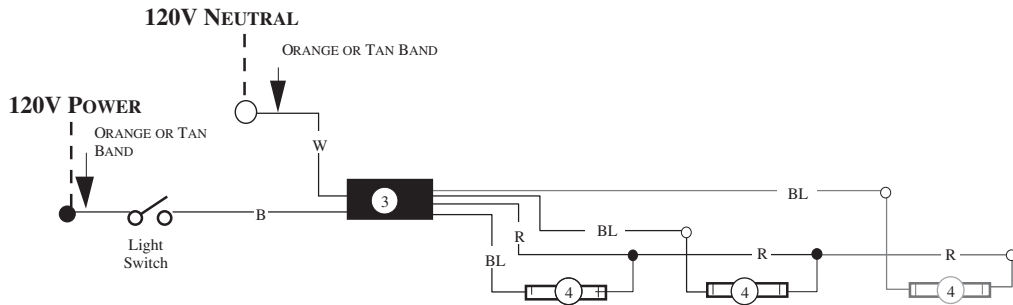
Grayed components in 12 foot models only.

R = Red Y = Yellow G = Green BL = Blue B = Black W = White

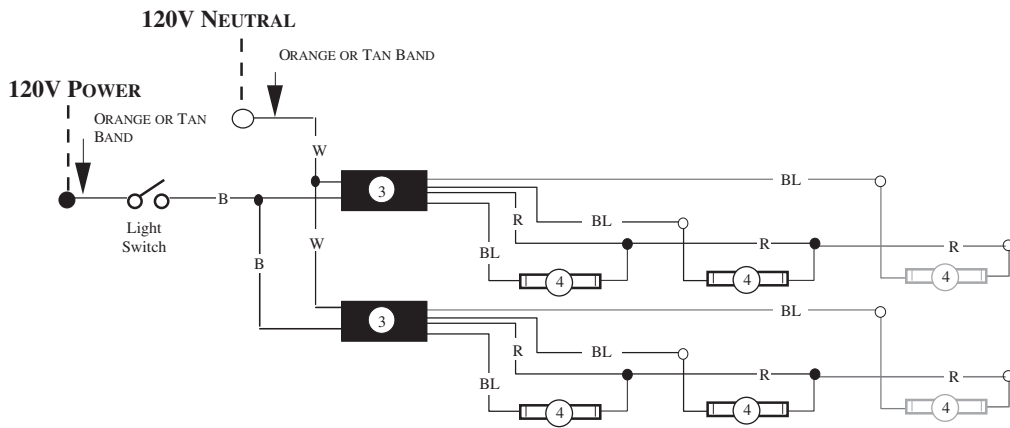
● = 120V POWER ○ = 120V NEUTRAL ≡ = FIELD GROUND ≡ = CASE GROUND

Light Circuits

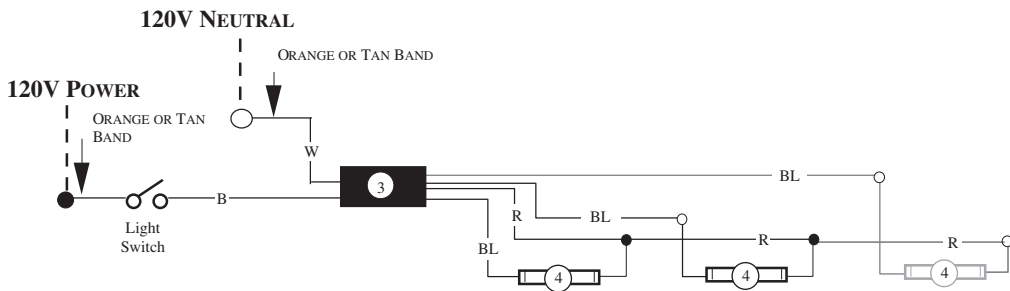
Standard Lighting — 1 Row Canopy (Standard on Multi-deck)



Optional Lighting — 2 Rows Canopy



Optional Lighting — 1 Row Rail



WARNING

All components must have mechanical ground, and the merchandiser must be grounded.

CIRCLED NUMBERS = PARTS LIST ITEM NUMBERS

Grayed components in 12 foot models only.

R = Red Y = Yellow G = Green BL = Blue B = Black W = White

● = 120V POWER ○ = 120V NEUTRAL