

We reserve the right to change or revise specifications and product design in connection with any feature of our products. Such changes do not entitle the buyer to corresponding changes, improvements, additions or replacements for equipment previously sold or shipped.

Item	Part #	Description	Wiring Item #	Item	Part #	Description	Wiring Item #
FAN ASSEMBLIES AND THERMOSTATS				CONTROL PANEL			
A.	4W	Standard Fan Assembly	(1)	E.	0106236	Defrost Timer (TC.4440604)	(5)
	0392457	Fan Motor, Evaporator – 120V (MO.4410101)		F.	0019187	Disconnect Switch (SW.4440647)	(6)
	0409511	Fan Blade (FB.0409511)		G.	0138400	Contactor (CN.4480909)	(7)
	NA	Energy Efficient		H.	0394263	Pressure Control (CT.4481202)	(8)
B.	0510349	Standard Adjustable Refrigeration Thermostat (CT.4441543)	(2)	REFRIGERATION			
HEATERS				I.	0498126	Condensing Unit Assembly 230V (EQ.4671410)	
C.	0496493	Nosing Anti-sweat Heater 120V (HE.4850736)	(3)	J.	0417890	TEV (VR.4611654)	
D.	0322013	Evaporator Pan Heater 230V (HE.4850230)	(4)	K.	0331344	Sight Glass (GL.4974431)	
				L.	0111482	Drier (FI.4611727)	
				LAMPS AND BALLASTS (IN OPTIONAL LIGHT BAR)			
				M.	0466234	Ballast, Electronic 2 lamps (BA.4480823)	(9)
				N.		Fluorescent Lamp	(10)
				<i>Replace with like fixtures</i>			

Engineering Plan Views

PHYSICAL DATA

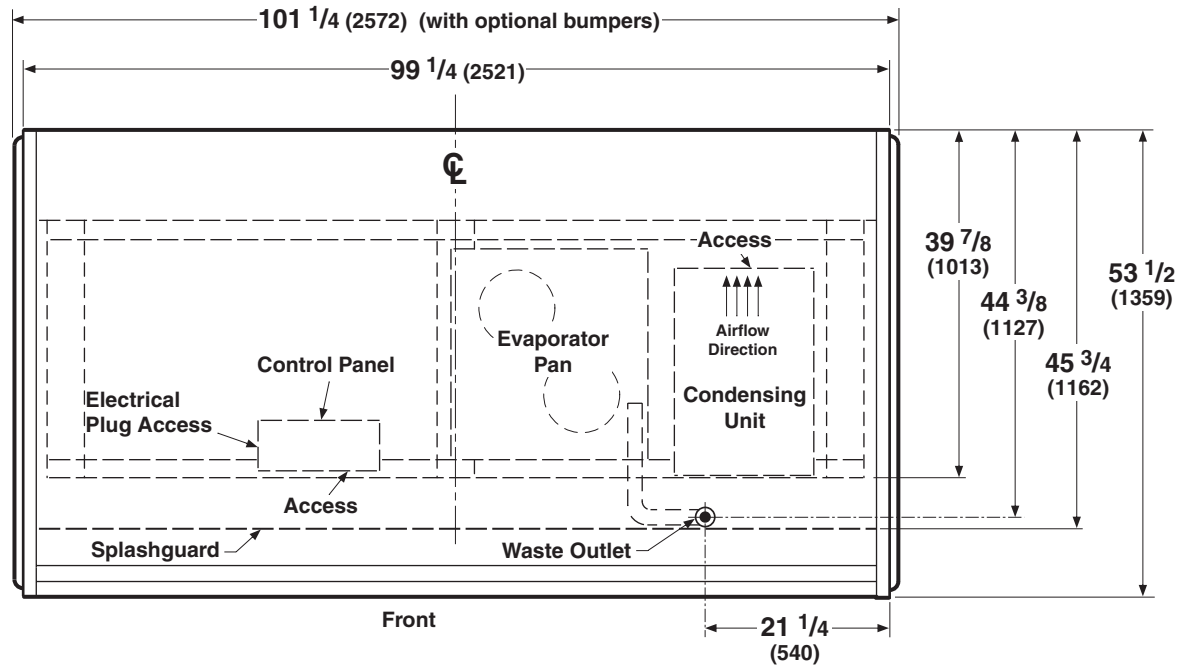
Merchandiser Drip Pipe (in.)	1 1/4
Merchandiser Liquid Line (in.)	3/8
Merchandiser Suction Line (in.)	7/8

BEXD-A

Bakery, Self-Contained

Dimensions shown as inches and (mm).

10-09



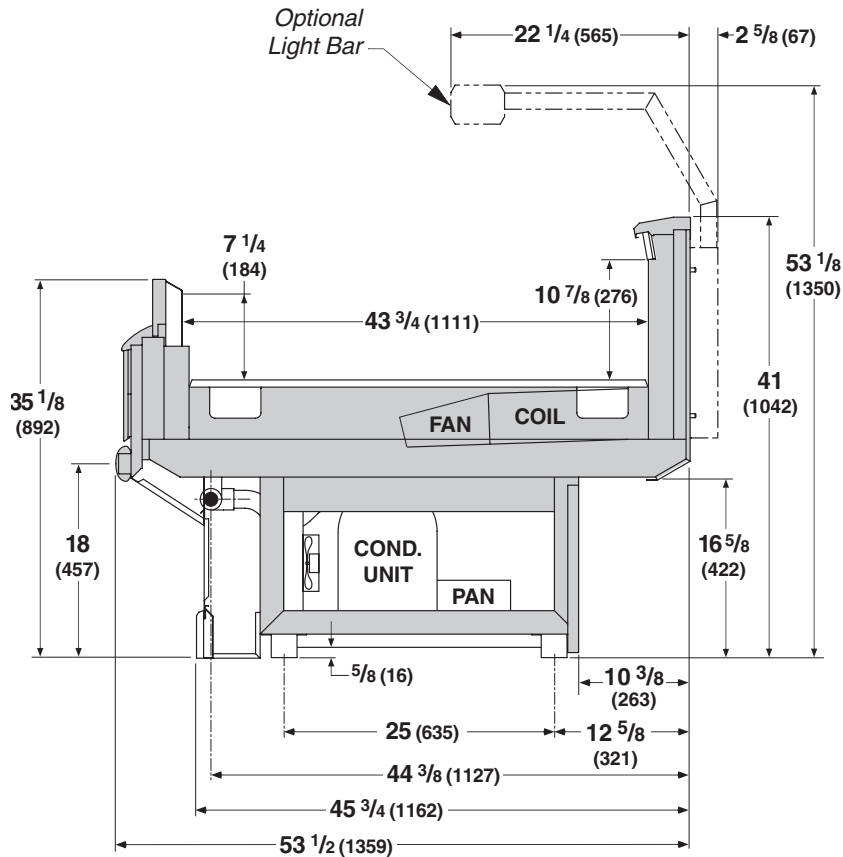
General	8 ft
Case Length (Note: Includes One Pair Ends)	99 1/4 (2521)
Optional End Bumpers (One Pair)	2 (51)
Maximum O/S dimension of case back to front (Note: Includes bumper)	53 1/2 (1359)
Back of case to front of splashguard	45 3/4 (1162)
Center of rear legs to center of front legs	25 (635)
Waste Outlet ●	
RH end of case (from outside of End Assembly) to center of waste outlet	21 1/4 (540)
Back of case to center of waste outlet	44 3/8 (1127)

Impact BEXD-A
Bakery, Self Contained

Dimensions shown as inches and (mm).

BEXD-A

10-2009



NSF® Certification

This merchandiser is manufactured to meet ANSI/NSF® (National Sanitation Foundation) Standard #7 requirements for construction, materials & cleanability.

REFRIGERATION DATA

Note: This data is based on store temperature and humidity that does not exceed 75°F and 55% R.H. Schedule defrost at night while lights are off.

	BEXD-A
Discharge Air (°F)	15
Evaporator (°F)	11

Btu/hr/case	BEXD-A
8 ft	4528

DEFROST DATA

	BEXD-A
Frequency (hr)	12
Defrost Water (lb/ft/day)	NA
<i>(± 15% based on case configuration and product loading).</i>	

OFFTIME

Failsafe (minutes)	70
---------------------------	----

ELECTRIC OR GAS	Not Available
------------------------	---------------

Standard Defrost Thermostat	NA
------------------------------------	----

CONVENTIONAL CONTROLS

Low Pressure Backup Control	
	BEXD-A
CI/CO*	30°F/20°F

Indoor Unit Only, Pressure Defrost

Termination*	48°F
---------------------	------

*Use a Temperature Pressure Chart to determine PSIG conversions.

Estimated Charge (lb)**	BEXD-A
8 ft	4.6

**This is an average for all refrigerant types. Actual refrigerant charge may vary by approximately half a pound.

Impact BEXD-A Bakery, Self-Contained

Electrical Data

	8 ft	
Number of Fans – 4W	2	
	Amperes	Watts
	8 ft	8 ft
Evaporator Fans		
120V 60Hz Standard	0.58	48
230V 50Hz Export	NA	NA
120V 60Hz Energy Efficient	NA	NA
Nosing Anti-sweat Heaters (120V)	0.67	80
Evaporator Pan Heaters (230V)	4.0	460
Condensing Unit (208/230V)		
Minimum Circuit Ampacity	12.5	
Compressor LRA	45.0	
Compressor RLA	9.2	
Lighting		
Standard	8 ft	8 ft
None	NA	NA
Optional Light Bar		
1 Row Fluorescent Lamp	0.50	60
Circuit Amp Rating at Plug 208/230V		
120V 60Hz Standard	16	
230V 50Hz Export	NA	
120V 60Hz Energy Efficient	NA	
Maximum Over Circuit Protection 208/230V	20	

Product Data

BEXD-8A

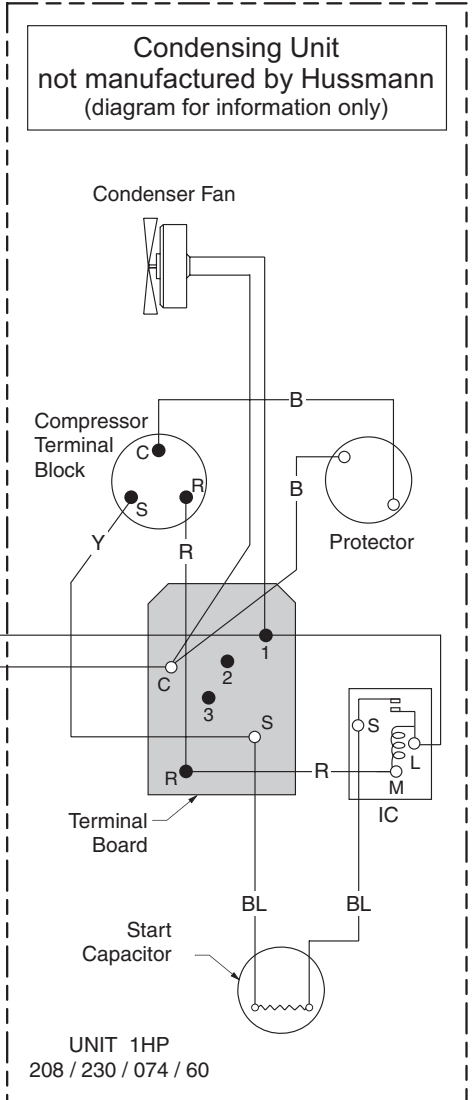
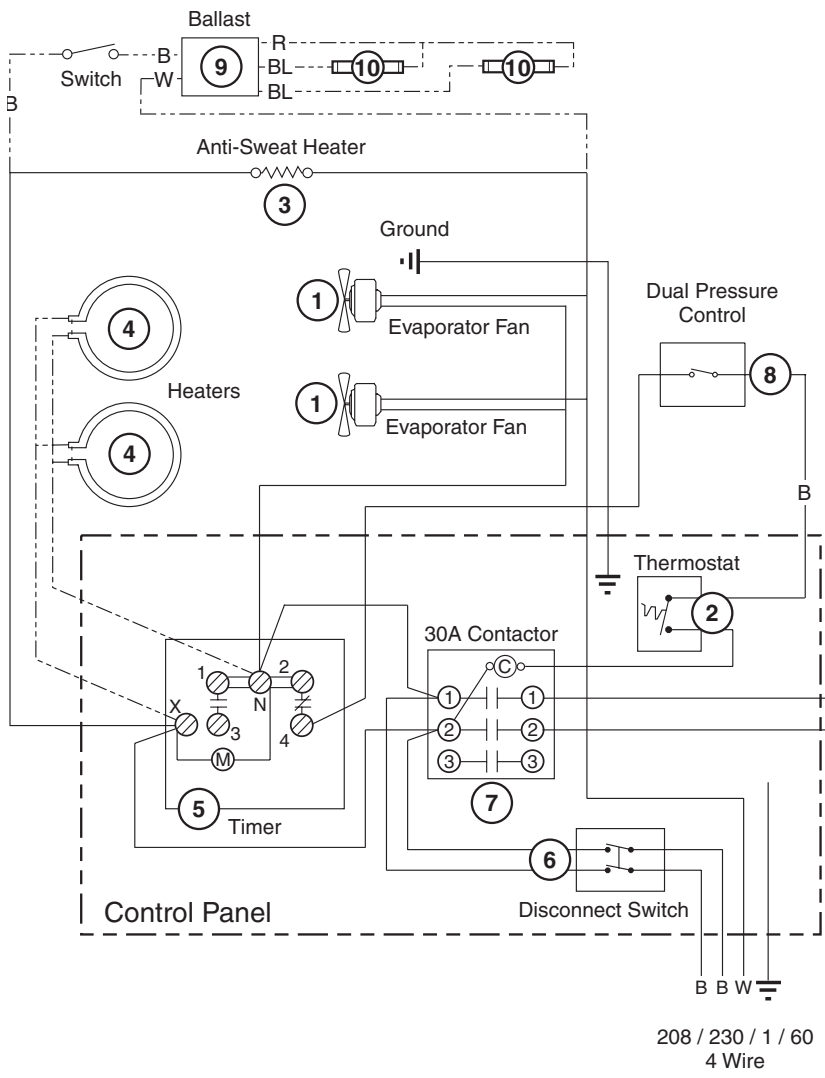
<i>Recommended Usable Cube</i> ¹ (Cu Ft/Case)	22.77 ft ³ /case (0.64 m ³ /case)
<i>ARI Total Display Area</i> ² (Sq Ft/Case)	29.64 ft ² /case (2.75 m ² /case)
<i>Shelf Area</i> ³ (Sq Ft/Case)	30.15 ft ² /case (2.80 m ² /case)

¹ ARI Refrigerated Volume less shelving and other unusable space: Refrigerated Volume / Unit of Length, ft³/ft [m³/m]
² Computed using ARI 1200 standard methodology: Total Display Area, ft² [m²] / Unit of Length, ft [m]
³ Shelf surface area is composed of bottom deck plus standard shelf complement, as shown in the Hussmann *Product Reference Guide*.

ESTIMATED SHIPPING WEIGHT ⁵		
Case	<i>8 ft</i>	<i>End</i>
lb (kg)	1000 (454)	Included
⁵ Actual weights will vary according to optional kits included.		

Impact BEXD-A
Bakery, Self-Contained

Electrical Wiring



WARNING

All components must have mechanical ground, and the merchandiser must be grounded.

CIRCLED NUMBERS = PARTS LIST ITEM NUMBERS

R = Red Y = Yellow G = Green BL = Blue B = Black W = White

● = 120V POWER ○ = 120V NEUTRAL ⊥ = FIELD GROUND ≡ = CASE GROUND