

### NSF Certification

This merchandiser model is manufactured to meet NSF/ANSI (National Sanitation Foundation) Standard #7 requirements for construction, materials and cleanability.



Scan the QR code on your mobile device to access additional product information or order parts.

Parts may also be ordered at:

[parts.hussmann.com](http://parts.hussmann.com)

Call toll free: 1.855.487.7778

We reserve the right to change or revise specifications and product design in connection with any feature of our products. Such changes do not entitle the buyer to corresponding changes, improvements, additions or replacements for equipment previously sold or shipped.

Note: Revision N: July 2019. Updated Lighting and CaseShieldPTM.

Data sheet-Excel-D5X-E

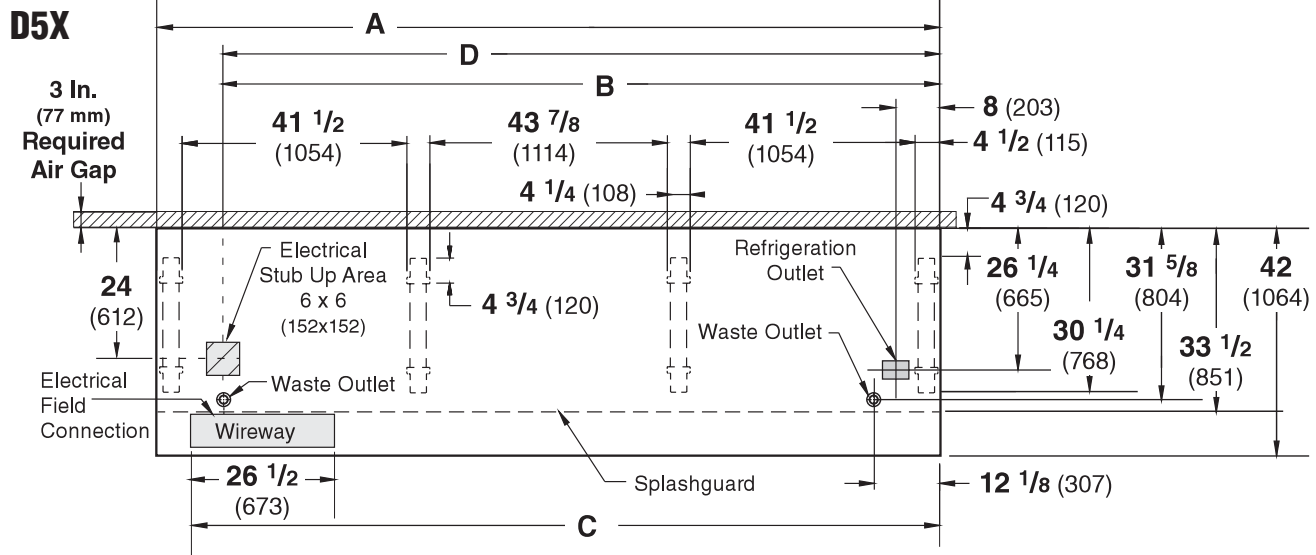
# Engineering Plan Views

## Dairy & Delicatessen

09-2004

Dimensions shown as in. and (mm).

PHYSICAL DATA	
Merchandiser Drip Pipe (in.)	1 1/4
Merchandiser Liquid Line (in.)	3/8
Merchandiser Suction Line (in.)	7/8



NOTE: Case-to-Case Electrical Connections are made IN FRONT OF SPLASHGUARD.

FRONT

	6 ft	8 ft	12 ft
<b>General</b>			
<b>(A)</b> Case Length (without ends or partitions) <i>(Each end and insulated partition adds 1 1/2 in. (38 mm) to case line up.) Optional view end with bumper adds 3 3/4 in. [95 mm].</i>	72 3/8 (1838)	96 3/8 (2448)	144 1/2 (3670)
Maximum O/S dimension of case back to front <i>(includes bumper)</i>	42 (1064)	42 (1064)	42 (1064)
Back of case to front of splashguard	33 1/2 (851)	33 1/2 (851)	33 1/2 (851)
Back of case to O/S edge of front leg	30 1/4 (768)	30 1/4 (768)	30 1/4 (768)
Distance between edges of external legs and center legs	29 1/2 (750)	41 1/2 (1054)	41 1/2 (1054)
Distance between edges of center legs	NA	NA	43 7/8 (1114)
Distance between front legs and splashguard	2 3/4 (70)	2 3/4 (70)	2 3/4 (70)
<b>Electrical Service</b> <input checked="" type="checkbox"/> <i>(Electrical Field Wiring connection point)</i>			
<b>(B)</b> RH End of case to center of stub up area	60 1/4 (1530)	84 1/4 (2140)	132 3/8 (3363)
Back of case to center of stub up area	24 (612)	24 (612)	24 (612)
Length of electrical wireway <input type="checkbox"/> Wireway	26 1/2 (673)	26 1/2 (673)	26 1/2 (673)
<b>(C)</b> RH End of case to LH end of wireway	66 1/8 (1680)	90 1/8 (2289)	138 1/4 (3511)
<b>Waste Outlets</b> (One each end) <input checked="" type="checkbox"/>			
<b>(D)</b> RH End of case to the center of LH waste outlet	60 1/4 (1530)	84 1/4 (2140)	132 3/8 (3363)
RH End of case to the center of RH waste outlet	12 1/8 (307)	12 1/8 (307)	12 1/8 (307)
Back O/S of case to center of waste outlets	31 5/8 (804)	31 5/8 (804)	31 5/8 (804)
Schedule 40 PVC drip pipe	1 1/4 (32)	1 1/4 (32)	1 1/4 (32)
<b>Refrigeration Outlet</b>			
Back of case to center of refrigeration outlet	26 1/4 (665)	26 1/4 (665)	26 1/4 (665)
RH end of case to center of refrigeration outlet	8 (203)	8 (203)	8 (203)

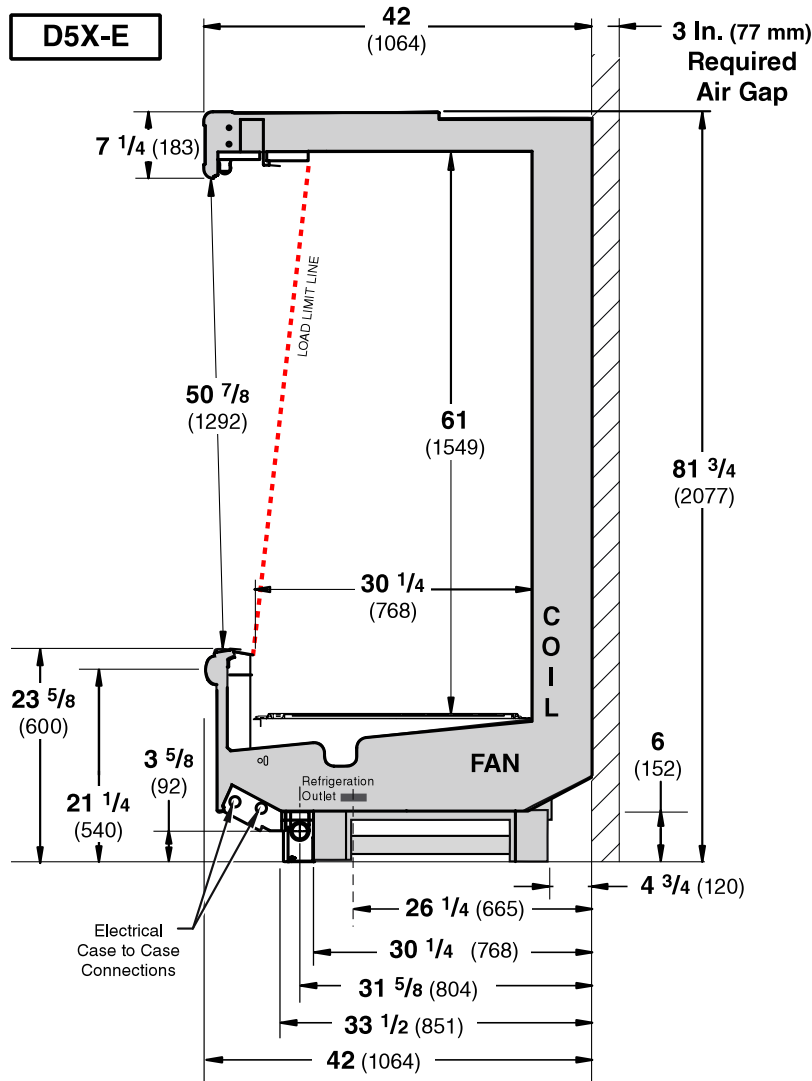
Multi-deck, 5 Display Levels



Hussmann refrigerated merchandisers configured for sale for use in the United States meet or surpass the requirements of the DOE 2017 energy efficiency standards.

**Excel D5X-E**  
Dairy & Delicatessen

Dimensions shown as in. and (mm).



Estimated Charge ***		D5X-E	
6 ft	1.9 lb	30 oz	0.9 kg
8 ft	2.7 lb	43 oz	1.2 kg
12 ft	3.9 lb	62 oz	1.8 kg

\*\*\*This is an average for all refrigerant types. Actual refrigerant charge may vary by approximately half a pound (8 oz/0.2 kg).

**REFRIGERATION DATA**

Note: This data is based on store temperature and humidity that does not exceed 75°F and 55% R.H.

	D5X-E§
Discharge Air °F	32
Evaporator °F	24
Unit Sizing °F	22

§ Average evaporator temperature shown. Use dew point for high glide refrigerants for unit sizing. Care should be taken to use the dew point in PT tables for measuring and adjusting superheat. Adjust evaporator pressure as needed to maintain discharge air temperature shown.

**Btu/hr/ft — Unlit Shelves‡**

D5X-E	Parallel	Conventional
UNLIT	1328	1413
PEG*	1448	1533

\* Hussmann Peg Shelves (Deli only).  
‡ Add 10 Btu/hr/ft per shelf row for LED fixtures. Add 20 Btu/hr/ft per shelf row for fluorescent lamps. Reduce refrigeration load by 15% if fitted with CaseShieldPTM.

**DEFROST DATA**

Frequency Hr	6
Defrost Water (lb/ft/day)	10.50

(± 15% based on case configuration and product loading).

OFFTIME	D5X-E
Temp Term °F	48
Failsafe Minutes	35

**ELECTRIC OR GAS** Not Recommended

**Standard Defrost Thermostat**

Close on rise: close 48°F — open 33°F

**CONVENTIONAL CONTROLS**

**Low Pressure Backup Control**

	D5X-E
CI/CO**	17°F / 7°F

**Indoor Unit Only, Pressure Defrost**

Termination\*\* 48°F

\*\*Use a Temperature Pressure Chart to determine PSIG conversions.

**Excel D5X-E**  
**Dairy & Delicatessen**

**Electrical Data**

	6 ft	8 ft	12 ft			
Number of Fans—12W	—	2	3			
Number of Fans—7W	2	—	—			
	Amperes			Watts		
Evaporator Fan	6 ft	8 ft	12 ft	6 ft	8 ft	12 ft
120V 50/60Hz Energy Efficient	0.38	0.60	0.90	28	36	54
230V 50/60Hz Energy Efficient	0.20	0.30	0.45	28	36	54
230V 60Hz Export	0.50	0.66	0.99	78	100	150
230V 50Hz Export	0.56	0.76	1.14	84	114	171
Minimum Circuit Ampacity						
120V 50/60Hz Energy Efficient	0.58	0.80	1.10			
230V 50/60Hz Energy Efficient	0.40	0.50	0.65			
230V 60Hz Export	0.70	0.86	1.19			
230V 50Hz Export	0.76	0.96	1.34			
<b>Maximum Over Current Protection 120V</b>	<b>20</b>	<b>20</b>	<b>20</b>			
Maximum Over Current Protection 230V	15	15	15			

ONLY LIGHTING CONFIGURATIONS THAT ARE COMPLIANT WITH THE U.S. DEPT. OF ENERGY (DOE) 2017 REGULATION ARE AVAILABLE FOR SALE FOR USE IN THE U.S.A.

	Amperes			Watts		
LED LIGHTING	6ft	8 ft	12 ft	6 ft	8 ft	12 ft
<b>EcoShine ULTRA Canopy Lights</b>						
1 Row EcoShine ULTRA	0.26	0.36	0.54	31	43	64
<b>EcoShine II Canopy Lights</b>						
1 Row EcoShine II	0.26	0.32	0.48	32	39	58
1 Row EcoShine II HO	0.33	0.44	0.66	40	53	79
<b>EcoShine II Shelf Lights</b>						
1 Rows of Shelves	0.12	0.16	0.25	14	20	30
4 Rows of Shelves	0.47	0.66	0.99	56	79	119
5 Rows of Shelves	0.59	0.82	1.24	71	99	148
6 Rows of Shelves	0.70	0.99	1.48	85	119	178
<b>EcoShine II Rail Light — 1 Row</b>	0.12	0.16	0.25	14	20	30
<b>Standard Lighting (T-8 Fluorescent) 1 Row Canopy</b>						
Each Row of Canopy, Shelf or Rail Lights	0.51	0.51	0.77	59	59	85

120V Lighting Circuit Total = Standard Lighting + Total Optional Lighting + Optional Shelf Lighting

120V EcoShine LED Lighting Circuit Total = Total Canopy Lighting + Optional Shelf Lighting

230V Lighting Circuit Total = Multiply 120V Lighting Circuit Total by 0.52

*Please note: some combinations of fluorescent lights on this case model may not be compliant with DOE 2017 and may not be available to order in the US and Canada. More lighting options are available with LED lights. The Hussmann Product Configurator will not allow lighting options that do not comply with the DOE 2017 standards.*

**Product Data**

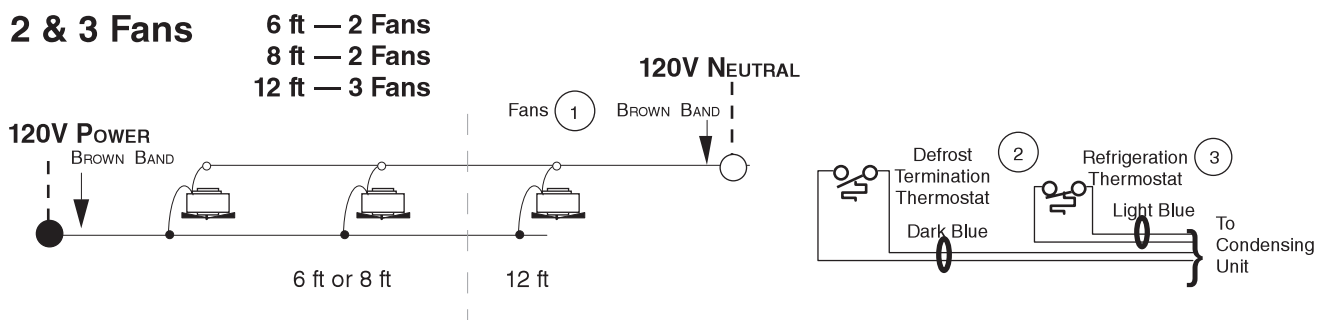
<i>Recommended Usable Cube</i> <sup>1</sup> (Cu Ft/Ft)	9.39 ft <sup>3</sup> /ft (0.87 m <sup>3</sup> /m)
<i>AHRI Total Display Area</i> <sup>2</sup> (Sq Ft/Ft)	4.24 ft <sup>2</sup> /ft (1.29 m <sup>2</sup> /m)
<i>Shelf Area</i> <sup>3</sup> (Sq Ft/Ft)	9.89 ft <sup>2</sup> /ft (3.02 m <sup>2</sup> /m)

- <sup>1</sup> AHRI Refrigerated Volume less shelving and other unusable space: Refrigerated Volume/Unit of Length, ft<sup>3</sup>/ft [m<sup>3</sup>/m]
- <sup>2</sup> Computed using AHRI 1200 standard methodology: Total Display Area, ft<sup>2</sup> [m<sup>2</sup>]/Unit of Length, ft [m]
- <sup>3</sup> Shelf surface area is composed of bottom deck plus standard shelf complement, as shown in the Hussmann *Product Reference Guide*. The standard shelf complement for this model is (4) rows of 22-inch shelves.

<b>ESTIMATED SHIPPING WEIGHT</b> <sup>4</sup>				
Case	<i>6 ft</i>	<i>8 ft</i>	<i>12 ft</i>	Solid End (each)
<b>lb (kg)</b>	1000 (454)	1200 (544)	1400 (635)	100 (45)

<sup>4</sup> Actual weights will vary according to optional kits included.

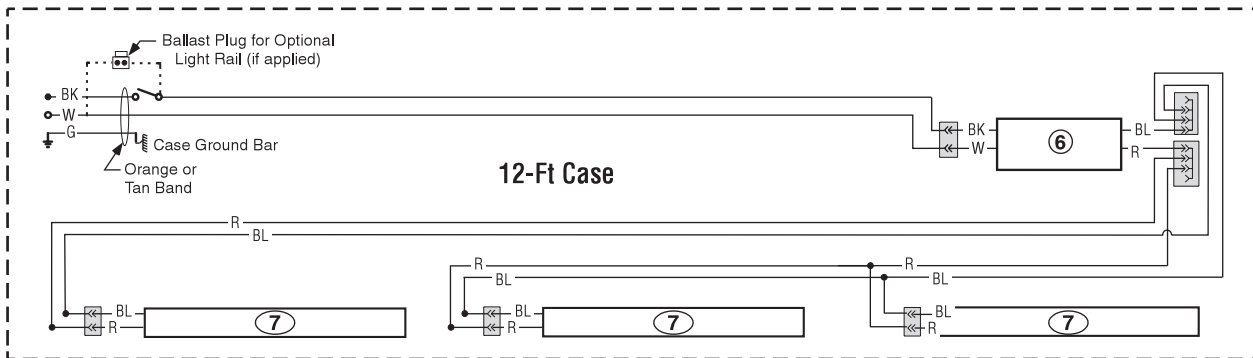
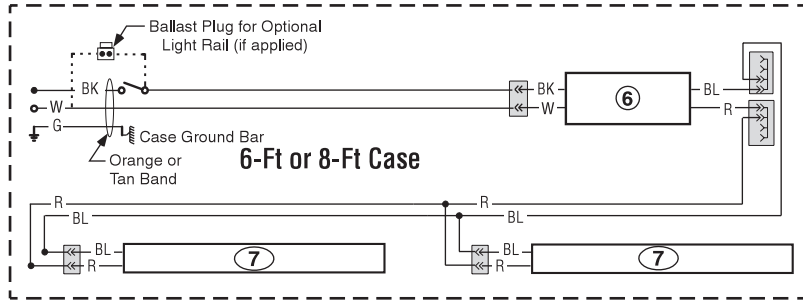
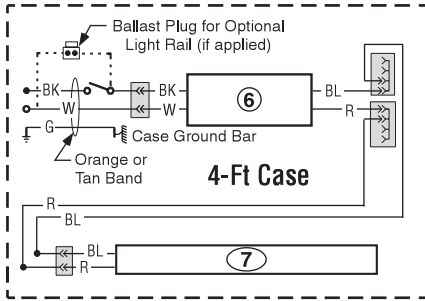
**Fan Wiring  
Offtime Defrost**



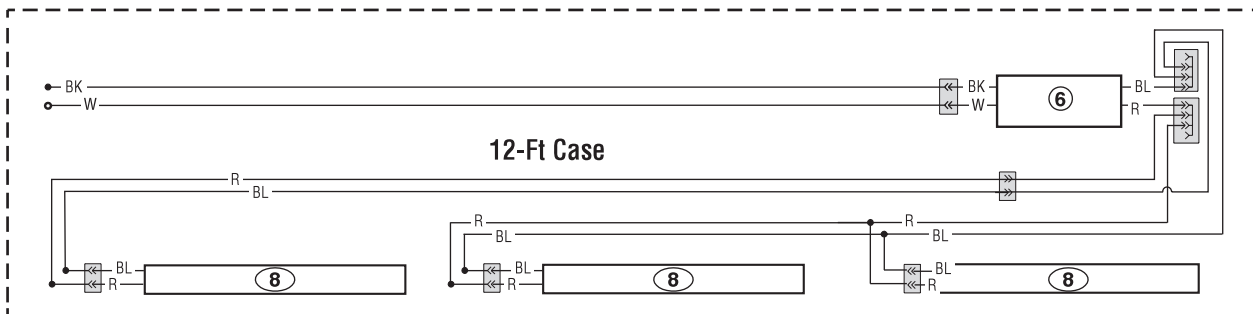
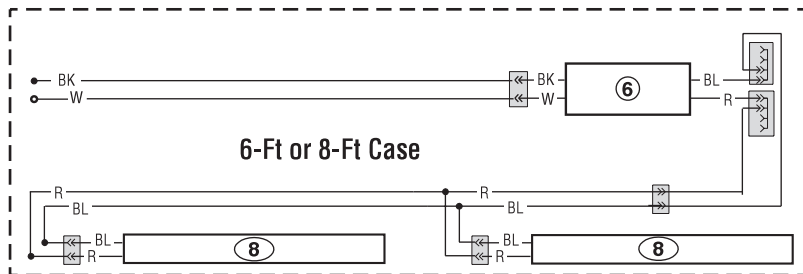
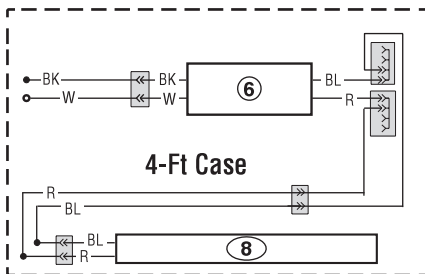
Scan QR code to access  
Fluorescent Wiring Diagrams  
on your mobile device.

# LED Canopy and Rail Light Circuits

## LED Canopy Lighting — 1 Row



## LED Rail Lighting — 1 Row



### WARNING

All components must have mechanical ground, and the merchandiser must be grounded.

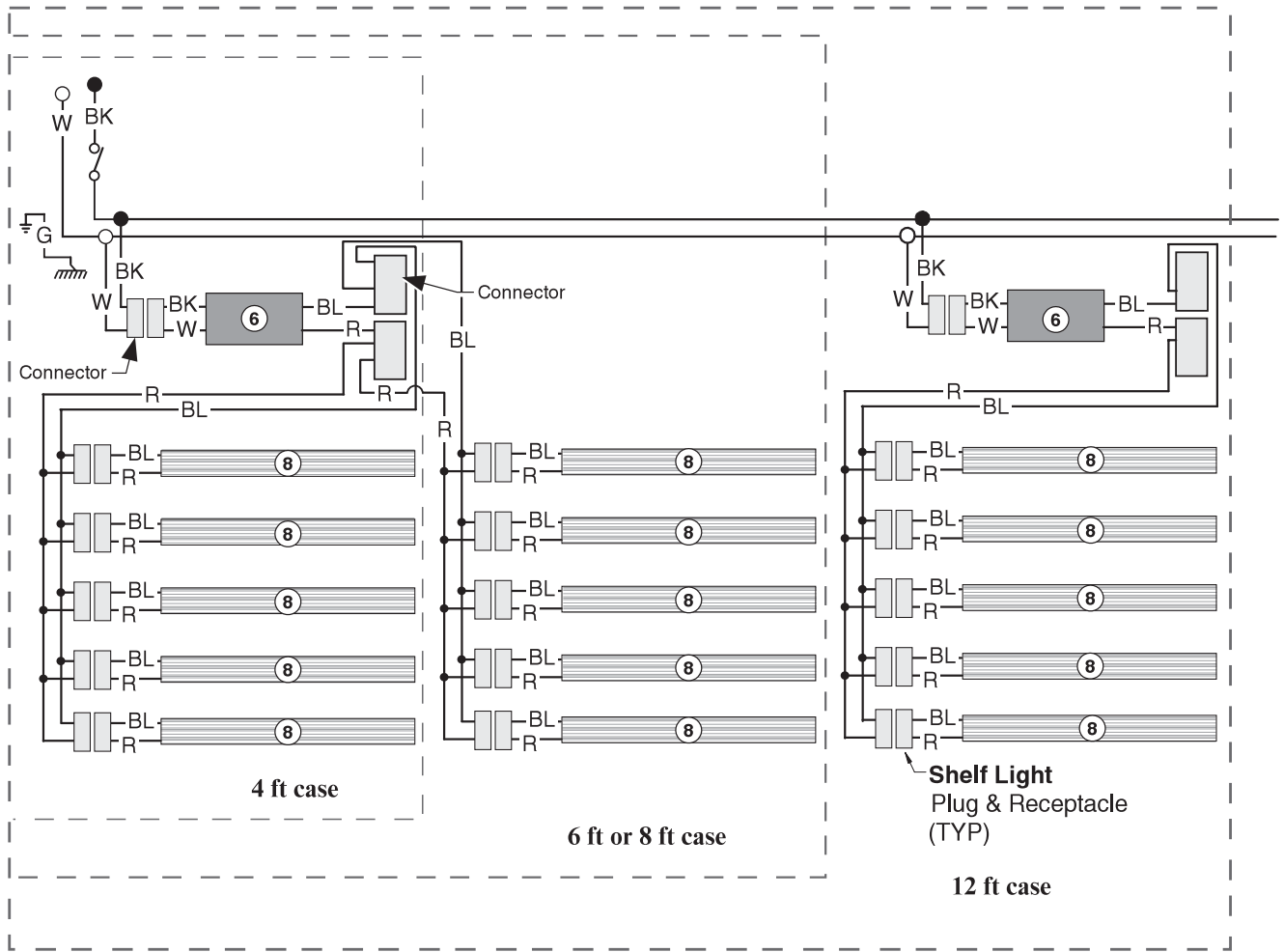
CIRCLED NUMBERS = PARTS LIST ITEM NUMBERS

R = Red Y = Yellow G = Green BL = Blue BK = Black W = White

● = 120V POWER ○ = 120V NEUTRAL ⊥ = FIELD GROUND  $\overline{\text{m}}$  = CASE GROUND

# Optional Shelf Lighting LED Fixtures

## Shelf Harness and LED Light Circuits for 4 or 5 Rows of Shelves



### WARNING

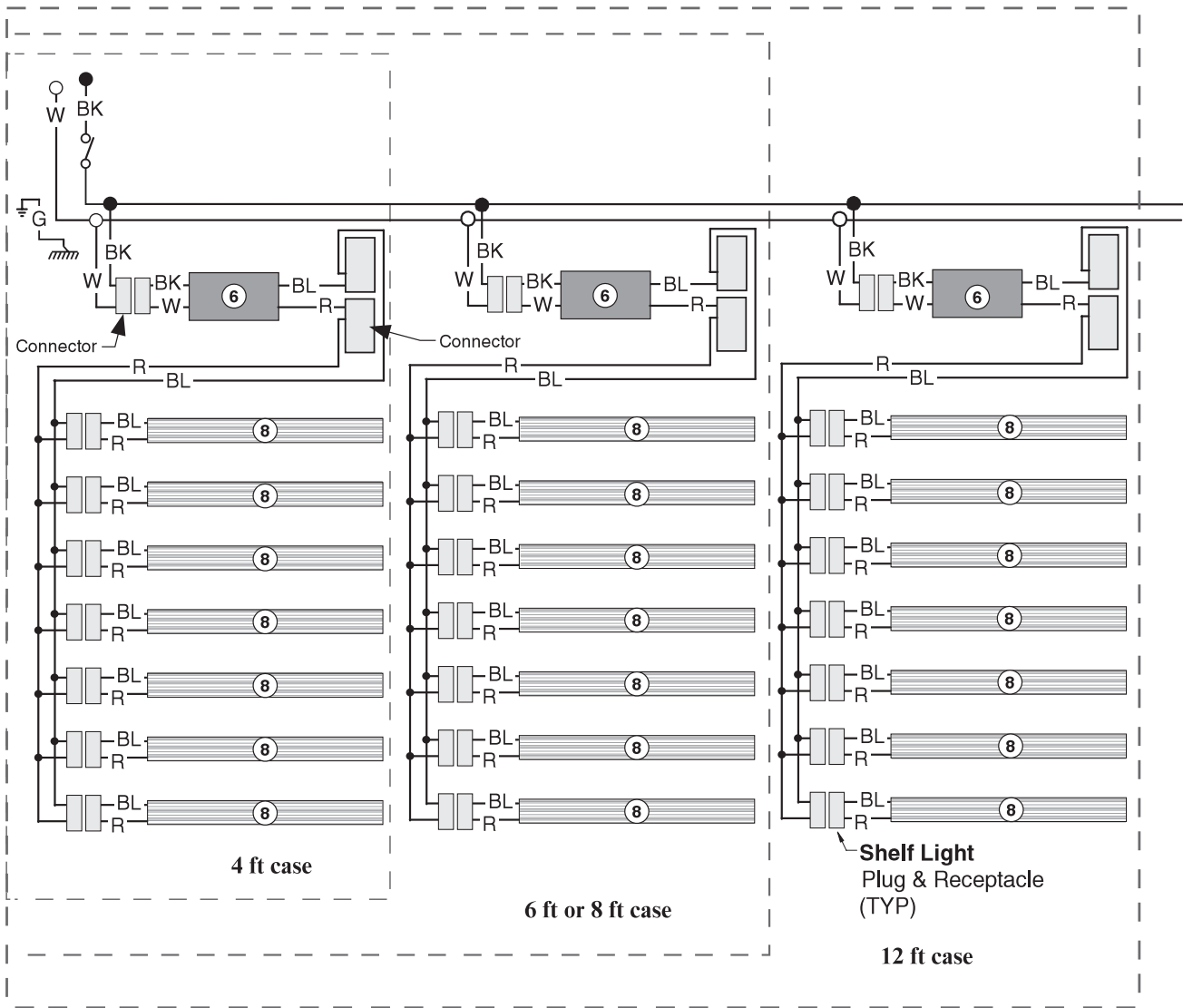
All components must have mechanical ground, and the merchandiser must be grounded.

CIRCLED NUMBERS = PARTS LIST ITEM NUMBERS

- |               |                 |                  |                   |           |
|---------------|-----------------|------------------|-------------------|-----------|
| R = Red       | G = Green       | BL = Blue        | BK = Black        | W = White |
| ● = 80V POWER | ○ = 80V NEUTRAL | ⊥ = FIELD GROUND | mmm = CASE GROUND |           |

# Optional Shelf Lighting LED Fixtures

## Shelf Harness and LED Light Circuits for 6 or 7 Rows of Shelves



### WARNING

All components must have mechanical ground, and the merchandiser must be grounded.

CIRCLED NUMBERS = PARTS LIST ITEM NUMBERS

R = Red      G = Green      BL = Blue      BK = Black      W = White

● = 80V POWER      ○ = 80V NEUTRAL      ⚡ = FIELD GROUND      *mm* = CASE GROUND