

We reserve the right to change or revise specifications and product design in connection with any feature of our products. Such changes do not entitle the buyer to corresponding changes, improvements, additions or replacements for equipment previously sold or shipped.

Item	Part #	Description	Wiring Item #	Item	Part #	Description	Wiring Item #
FAN ASSEMBLIES				THERMOSTATS			
4 Ft, 8 Ft & 12 Ft				B. 0411744 Standard Non-adjustable Defrost Thermostat (CT.0411744) (2)			
A.	12W Standard	Fan Assembly	(1)	C. Optional Adjustable Refrigeration Thermostat (3)			
	0047000	Fan Motor, Evaporator (MO.4410103)		LAMPS AND BALLASTS			
	0461805	Fan Blade (FB.4780446)		D. Ballast, Electronic (4)			
	12W Energy Efficient	Fan Assembly	(1)	0480130 2 lamps (BA.4481676)			
	0477655	Fan Motor, Evaporator (MO.4410546)		0480131 3 lamps (BA.4481654)			
	0461805	Fan Blade (FB.4780446)		0480132 4 lamps (BA.4481677)			
6 Ft Only				E. Fluorescent Lamp (5) <i>Replace with like fixtures</i>			
A.	7W Standard	Fan Assembly	(1)	LED FIXTURES AND POWER SUPPLY			
	0058698	Fan Motor, Evaporator (MO.4410102)		F. 0501213 Power Supply (EP.4481861) (6)			
	0142780	Fan Blade (FB.0142780)		G. LED Canopy Fixture (7) <i>Replace with like fixtures — See Page 5.</i>			
	7W Energy Efficient	Fan Assembly	(1)	H. LED Shelf Fixture (8) <i>Replace with like fixtures — See Page 5.</i>			
	0477654	Fan Motor, Evaporator (MO.4410545)					
	0142780	Fan Blade (FB.0142780)					

Note: Revision E adds Btu note (page 3), EcoShine LED (page 4) and parts (page 5), and revises canopy wiring diagram (page 6). Other changes marked by bar, underline or circle.



Engineering Plan Views

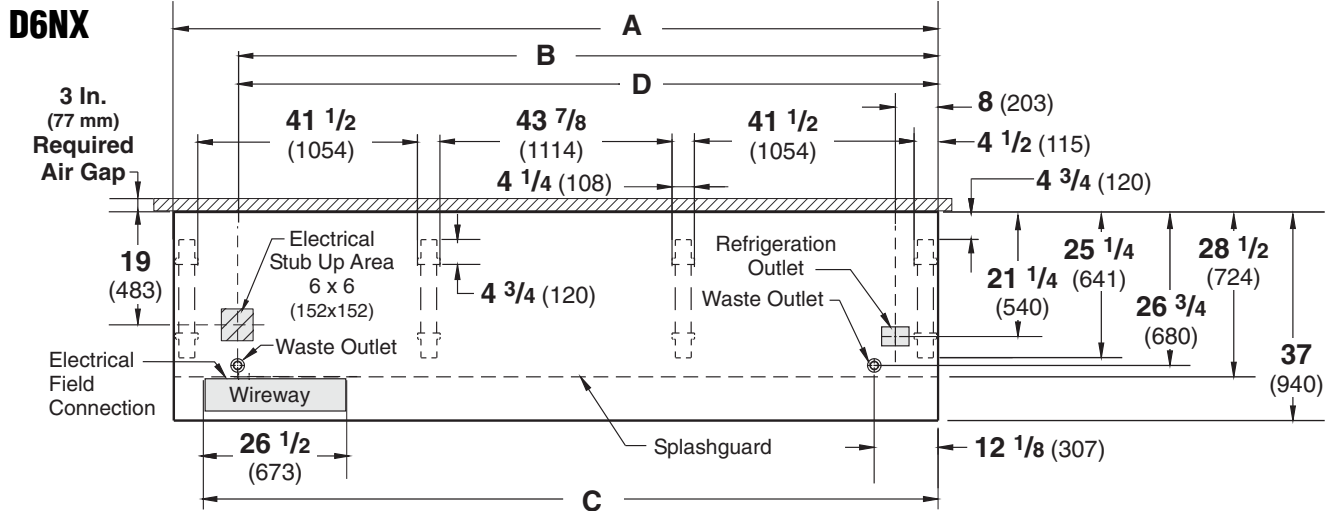
PHYSICAL DATA

Merchandiser Drip Pipe (in.)	1 1/4
Merchandiser Liquid Line (in.)	3/8
Merchandiser Suction Line (in.)	7/8

Narrow Dairy & Delicatessen





10-2004

Dimensions shown as in. and (mm).



NOTE: Case-to-Case Electrical Connections are made IN FRONT OF SPLASHGUARD.

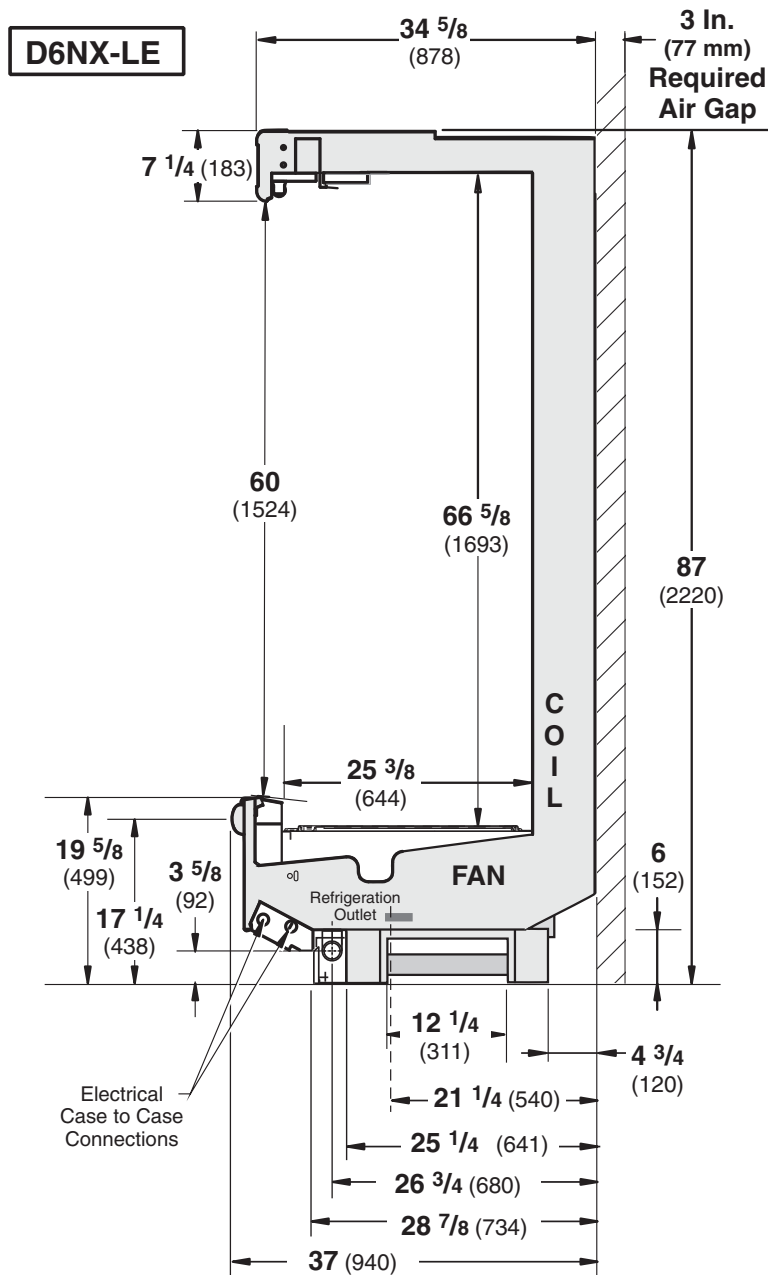
FRONT

	4 ft	6 ft	8 ft	12 ft
General				
(A) Case Length (without ends or partitions) <i>(Each end and insulated partition adds 1 1/2 in. (38 mm) to case line up.)</i>	48 3/8 (1229)	72 3/8 (1838)	96 3/8 (2448)	144 1/2 (3670)
Maximum O/S dimension of case back to front <i>(includes bumper)</i>	37 (940)	37 (940)	37 (940)	37 (940)
Back of case to front of splashguard	28 1/2 (724)	28 1/2 (724)	28 1/2 (724)	28 1/2 (724)
Back of case to O/S edge of front leg	25 1/4 (641)	25 1/4 (641)	25 1/4 (641)	25 1/4 (641)
Distance between edges of external legs and center legs	NA	29 1/2 (750)	41 1/2 (1054)	41 1/2 (1054)
Distance between edges of center legs	NA	NA	NA	43 7/8 (1114)
Distance between front legs and splashguard	2 3/4 (70)	2 3/4 (70)	2 3/4 (70)	2 3/4 (70)
Electrical Service  <i>(Electrical Field Wiring connection point)</i>				
(B) RH End of case to center of stub up area	36 1/4 (921)	60 1/4 (1530)	84 1/4 (2140)	132 3/8 (3363)
Back of case to center of stub up area	19 (483)	19 (483)	19 (483)	19 (483)
Length of electrical wireway 	26 1/2 (673)	26 1/2 (673)	26 1/2 (673)	26 1/2 (673)
(C) RH End of case to LH end of wireway	42 1/8 (1070)	66 1/8 (1680)	90 1/8 (2289)	138 1/4 (3511)
Waste Outlets <i>(One each end)</i> 				
(D) RH End of case to the center of LH waste outlet	36 1/4 (921)	60 1/4 (1530)	84 1/4 (2140)	132 3/8 (3363)
RH End of case to the center of RH waste outlet	12 1/8 (307)	12 1/8 (307)	12 1/8 (307)	12 1/8 (307)
Back O/S of case to center of waste outlets	26 3/4 (680)	26 3/4 (680)	26 3/4 (680)	26 3/4 (680)
Schedule 40 PVC drip pipe	1 1/4 (32)	1 1/4 (32)	1 1/4 (32)	1 1/4 (32)
Refrigeration Outlet 				
Back of case to center of refrigeration outlet	21 1/4 (540)	21 1/4 (540)	21 1/4 (540)	21 1/4 (540)
RH end of case to center of refrigeration outlet	8 (203)	8 (203)	8 (203)	8 (203)

Multi-deck, Narrow Footprint, 6 Display Levels, Low Front

Impact Excel D6NX-LE
Dairy & Delicatessen

Dimensions shown as in. and (mm).



REFRIGERATION DATA

Note: This data is based on store temperature and humidity that does not exceed 75°F and 55% R.H.

D6NX-LE	UNLIT	LIT	PEG*
Discharge Air °F	34	32	32
Evaporator °F	26	24	24
Unit Sizing °F	24	22	22

Btu/hr/ft[‡] — Unlit Shelves^{‡‡}

D6NX-LE	Parallel	Conventional
UNLIT	1490	1595
PEG*	1685	1785

* Hussmann Peg Shelves (Deli only).

[‡] Optional energy efficient motors reduce the refrigeration load by 55 Btu/hr/ft.
^{‡‡} Add 10 Btu/hr/ft per shelf row for LED fixtures.
Add 20 Btu/hr/ft per shelf row for fluorescent lamps.

DEFROST DATA

Frequency Hr	6
Defrost Water (lb/ft/day)	10.5
(± 15% based on case configuration and product loading).	

OFFTIME	D6NX-LE
Temp Term °F	48
Failsafe Minutes	35

ELECTRIC OR GAS Not Recommended

Standard Defrost Thermostat

Close on rise: close 48°F — open 33°F

CONVENTIONAL CONTROLS

Low Pressure Backup Control

CI/CO**	D6NX-LE
	17°F / 7°F

Indoor Unit Only, Pressure Defrost

Termination**	48°F
---------------	------

**Use a Temperature Pressure Chart to determine PSIG conversions.

Estimated Charge ***	D6NX-LE		
4 ft	1.4 lb	22 oz	0.6 kg
6 ft	1.9 lb	30 oz	0.9 kg
8 ft	2.7 lb	43 oz	1.2 kg
12 ft	3.9 lb	62 oz	1.8 kg

***This is an average for all refrigerant types. Actual refrigerant charge may vary by approximately half a pound.

NSF Certification

This merchandiser model is manufactured to meet ANSI/NSF (National Sanitation Foundation) Standard #7 requirements for construction, materials & cleanability.

Impact *Excel* D6NX-LE
Dairy & Delicatessen

Electrical Data

			4 ft	6 ft	8 ft	12 ft				
Number of Fans—12W			2	—	4	6				
Number of Fans—7W			—	4	—	—				
			Amperes				Watts			
			4 ft	6 ft	8 ft	12 ft	4 ft	6 ft	8 ft	12 ft
Evaporator Fan										
120V	60Hz	Standard	1.30	2.00	2.60	3.90	100	156	200	300
120V	50Hz	Standard	1.50	2.20	3.00	4.50	114	168	228	342
230V	60Hz	Export	0.66	1.00	1.32	1.98	100	156	200	300
230V	50Hz	Export	0.76	1.12	1.52	2.28	114	168	228	342
120V	60Hz	Energy Efficient	0.60	0.76	1.20	1.80	36	56	72	108
230V	60Hz	Energy Efficient	0.30	0.40	0.60	0.90	36	56	72	108
Minimum Circuit Ampacity										
120V	60Hz	Standard	1.50	2.20	2.80	4.10				
120V	50Hz	Standard	1.70	2.40	3.20	4.70				
230V	60Hz	Export	0.86	1.20	1.52	2.18				
230V	50Hz	Export	0.96	1.32	1.72	2.48				
120V	60Hz	Energy Efficient	0.80	0.96	1.40	2.00				
230V	60Hz	Energy Efficient	0.50	0.60	0.80	1.10				
Maximum Over Current Protection 120V			20	20	20	20				
Maximum Over Current Protection 230V			15	15	15	15				
Standard Lighting (T-8 Fluorescent)										
1 Row Canopy			0.26	0.51	0.51	0.77	30	59	59	85
Optional Lighting (T-8 Fluorescent)										
Additional 1 Row Canopy			0.26	0.51	0.51	0.77	30	59	59	85
Additional 2 Row Canopy			0.51	1.02	1.02	1.54	59	118	118	170
Additional 3 Row Canopy			0.77	1.53	1.53	2.31	89	177	177	255
1 Row Rail Light			0.26	0.51	0.51	0.77	30	59	59	85
1 Row of Shelves			0.26	0.51	0.51	0.77	30	59	59	85
4 Rows of Shelves			1.02	2.04	2.04	3.08	118	236	236	340
5 Rows of Shelves			1.28	2.55	2.55	3.85	148	295	295	425
6 Rows of Shelves			1.53	3.06	3.06	4.62	177	354	354	510
EcoShine Multi-deck — Normal CRI—120VAC, 50/60Hz										
2 Row Canopy (Front & Rear)			0.28	0.41	0.55	0.82	33	49	66	98
1 Row of Shelves			0.10	0.15	0.20	0.29	12	18	24	35
4 Rows of Shelves			0.39	0.58	0.78	1.17	47	70	93	140
5 Rows of Shelves			0.48	0.73	0.97	1.45	58	87	116	174
6 Rows of Shelves			0.58	0.88	1.17	1.74	70	105	140	209
EcoShine Multi-deck — High CRI —120VAC, 50/60Hz										
2 Row Canopy (Front & Rear)			0.32	0.47	0.63	0.93	38	56	75	112
1 Row of Shelves			0.12	0.18	0.23	0.35	14	21	28	42
4 Rows of Shelves			0.47	0.70	0.93	1.40	56	84	112	168
5 Rows of Shelves			0.58	0.88	1.17	1.75	70	105	140	210
6 Rows of Shelves			0.70	1.05	1.40	2.10	84	126	168	252
Always*Bright Multi-deck —120VAC, 50/60Hz										
2 Row Canopy (Front & Rear)			0.38	0.55	0.71	1.08	45	66	85	130
1 Row of Shelves			0.15	0.19	0.23	0.38	18	23	28	45
4 Rows of Shelves			0.47	0.68	0.93	1.40	56	82	112	168
5 Rows of Shelves			0.57	0.83	1.13	1.69	68	99	136	203
6 Rows of Shelves			0.67	0.96	1.33	2.00	80	115	160	240

120V Lighting Circuit Total = Standard Lighting + Total Optional Lighting + Optional Shelf Lighting

230V Lighting Circuit Total = Multiply 120V Lighting Circuit Total by 0.52

Product Data

<i>Recommended Usable Cube</i> ¹ (Cu Ft/Ft)	7.54 ft ³ /ft (0.70 m ³ /m)
<i>AHRI Total Display Area</i> ² (Sq Ft/Ft)	5.25 ft ² /ft (1.60 m ² /m)
<i>Shelf Area</i> ³ (Sq Ft/Ft)	8.81 ft ² /ft (2.69 m ² /m)

- ¹ AHRI Refrigerated Volume less shelving and other unusable space: Refrigerated Volume/Unit of Length, ft³/ft [m³/m]
² Computed using AHRI 1200 standard methodology: Total Display Area, ft² [m²]/Unit of Length, ft [m]
³ Shelf surface area is composed of bottom deck plus standard shelf complement, as shown in the Hussmann *Product Reference Guide*. The standard shelf complement for this model is (5) rows of 16-inch shelves.

ESTIMATED SHIPPING WEIGHT ⁴					
Case	<i>4 ft</i>	<i>6 ft</i>	<i>8 ft</i>	<i>12 ft</i>	Solid End (each)
lb (kg)	800 (363)	1000 (454)	1200 (544)	1600 (726)	100 (45)

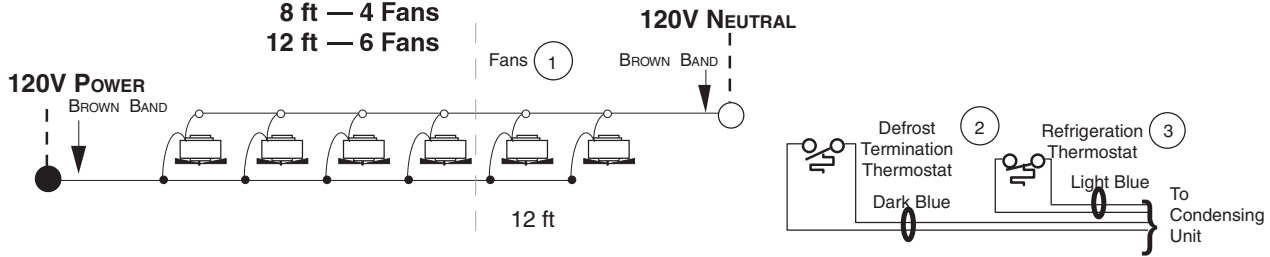
⁴ Actual weights will vary according to optional kits included.

PARTS LIST (Continued from Page 1)							
Item	Part #	Description	Item	Part #	Description		
LED FIXTURES AND POWER SUPPLY							
F.	0501213	Power Supply (EP.4481861)	(6)	G.	(CONTINUED) EcoShine LED Canopy Fixture		
				4441713	Rear 36-inch	2900K	HCRI
				4441715	Rear 36-inch	3500K	HCRI
G.	EcoShine LED Canopy Fixture		(7)	4441717	Rear 36-inch	3500K	
	4441720	Front 48-inch		4441719	Rear 36-inch	4100K	
	4441722	Front 48-inch					
	4441724	Front 48-inch		H.	EcoShine LED Shelf Fixture		(8)
	4441726	Front 48-inch		4441590	48-inch	2900K	HCRI
	4441721	Rear 48-inch		4441591	48-inch	3500K	HCRI
	4441723	Rear 48-inch		4441592	48-inch	3500K	
	4441725	Rear 48-inch		4441593	48-inch	4100K	
	4441727	Rear 48-inch					
	4441712	Front 36-inch		4441586	36-inch	2900K	HCRI
	4441714	Front 36-inch		4441587	36-inch	3500K	HCRI
	4441716	Front 36-inch		4441588	36-inch	3500K	
	4441718	Front 36-inch		4441589	36-inch	4100K	

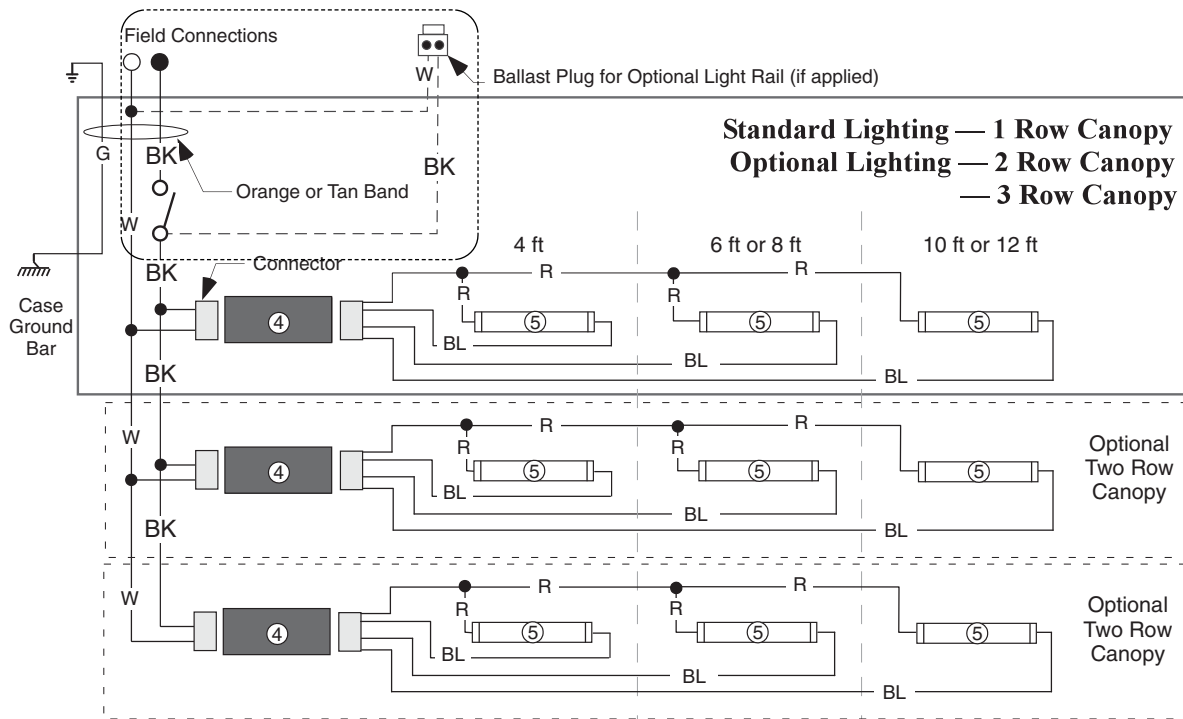
Note: Always*Bright lamps will be replaced with the latest generation of EcoShine lamps.

Fan Wiring Offtime Defrost

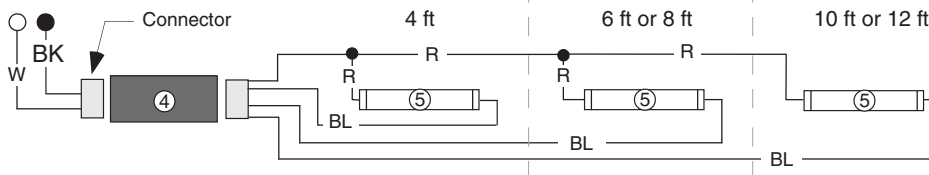
2, 4 & 6 Fans 4 ft — 2 Fan
 6 ft — 4 Fans
 8 ft — 4 Fans
 12 ft — 6 Fans



Canopy Light Circuits — Fluorescent Fixtures



Optional Lighting — 1 Row Rail



WARNING

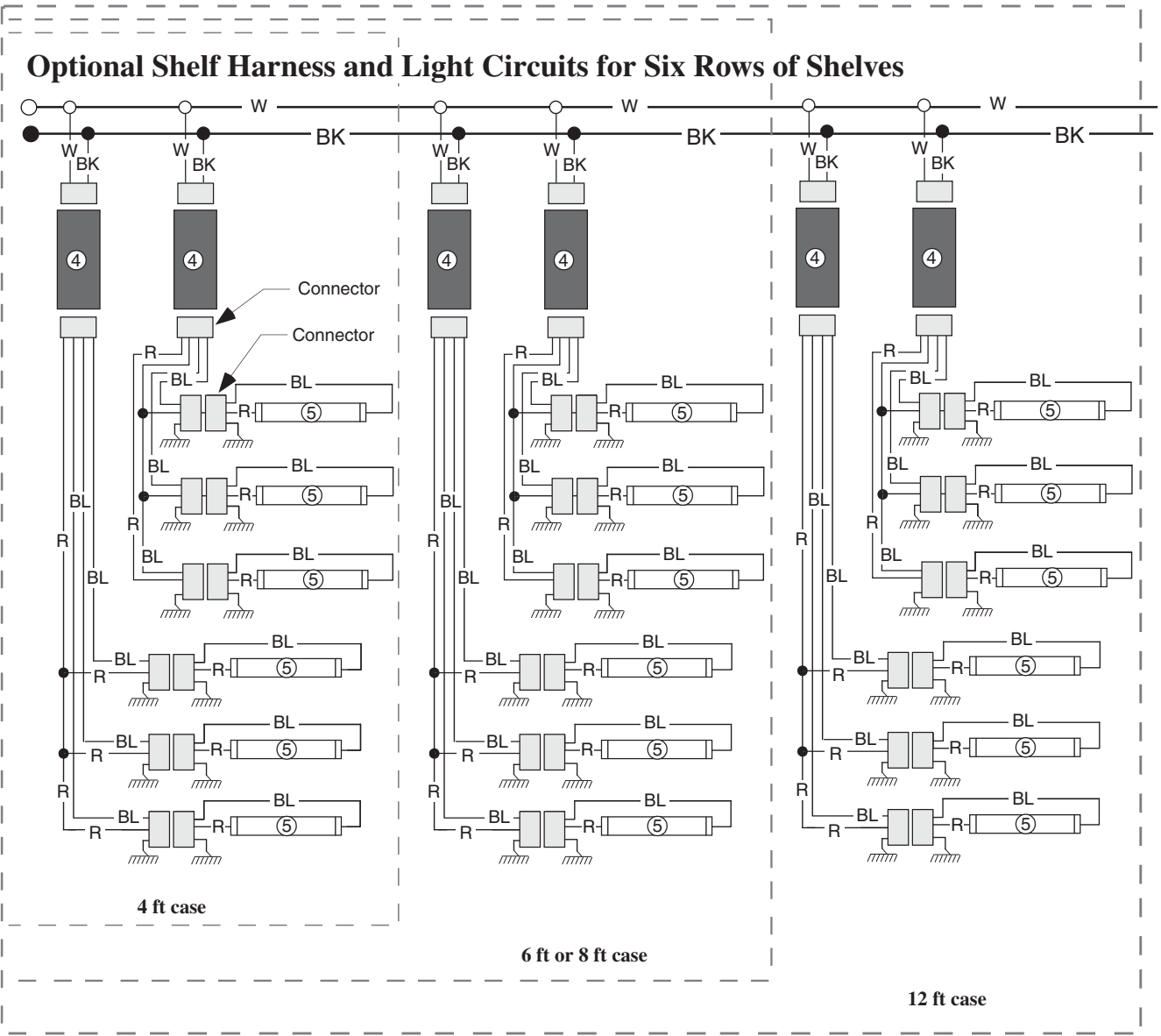
All components must have mechanical ground, and the merchandiser must be grounded.

CIRCLED NUMBERS = PARTS LIST ITEM NUMBERS

R = Red Y = Yellow G = Green BL = Blue BK = Black W = White

● = 120V POWER ○ = 120V NEUTRAL ⊥ = FIELD GROUND ⏏ = CASE GROUND

Optional Shelf Lighting Fluorescent Fixtures



WARNING

All components must have mechanical ground, and the merchandiser must be grounded.

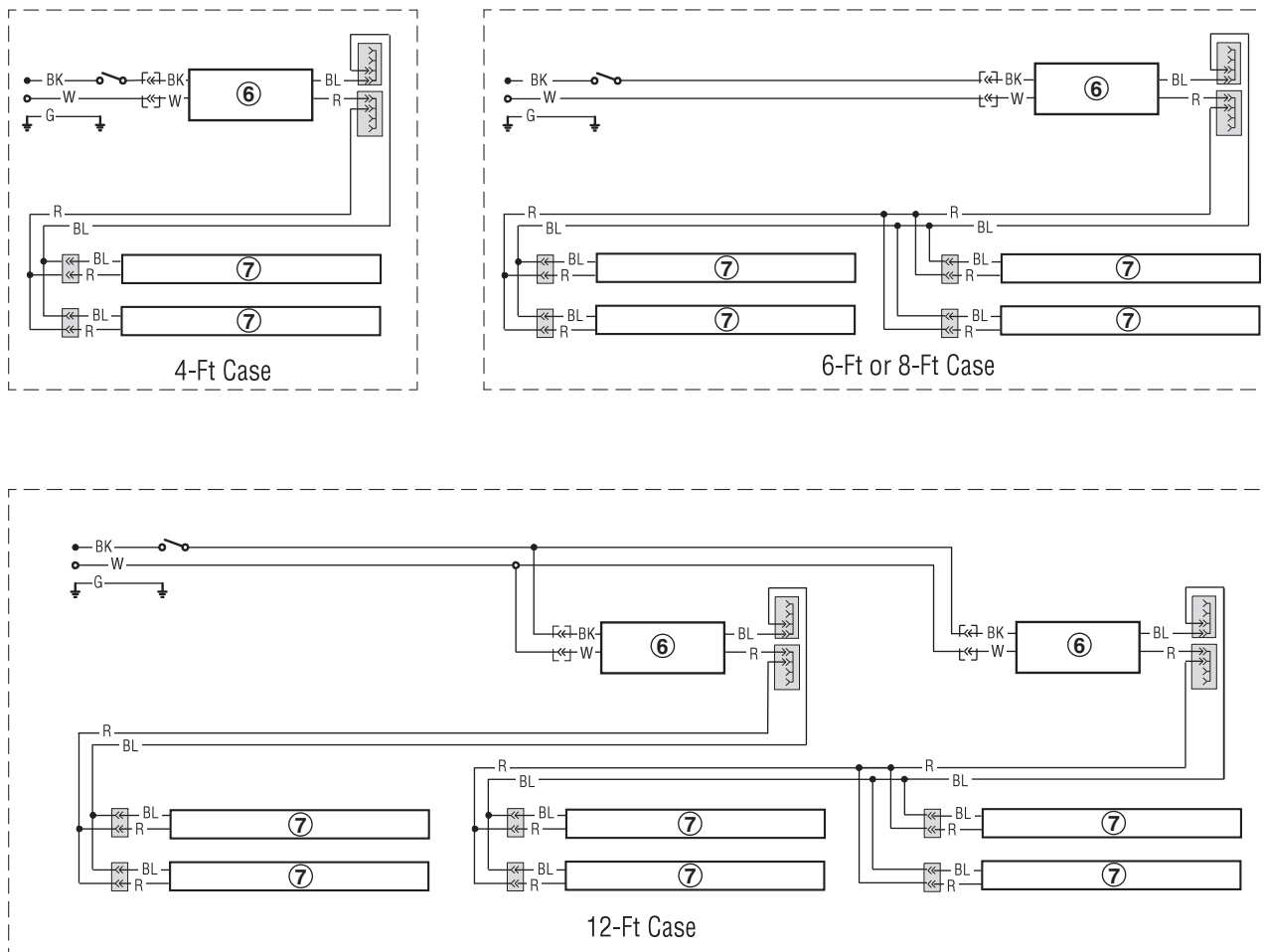
CIRCLED NUMBERS = PARTS LIST ITEM NUMBERS

R = Red Y = Yellow G = Green BL = Blue BK = Black W = White

● = 120V POWER ○ = 120V NEUTRAL ⊥ = FIELD GROUND ≡ = CASE GROUND

Optional Canopy Lighting LED Fixtures

Standard LED Canopy Lighting — 2 Row Canopy



WARNING

All components must have mechanical ground, and the merchandiser must be grounded.

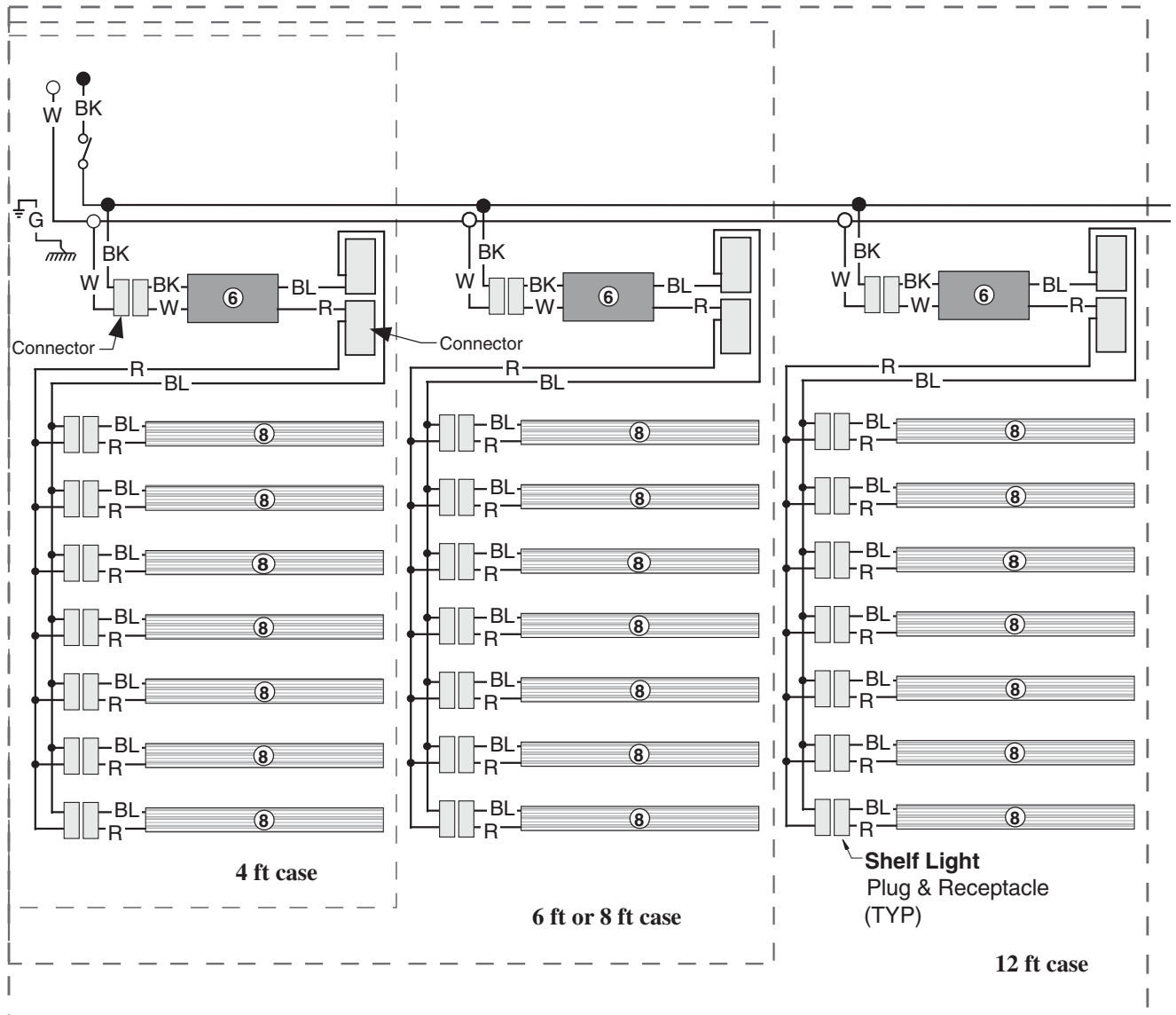
CIRCLED NUMBERS = PARTS LIST ITEM NUMBERS

R = Red Y = Yellow G = Green BL = Blue BK = Black W = White

● = 120V POWER ○ = 120V NEUTRAL \perp = FIELD GROUND $|||$ = CASE GROUND

Optional Shelf Lighting LED Fixtures

Optional Shelf Harness and LED Light Circuits for 3, 4, 5, 6 & 7 Rows of Shelves



WARNING

All components must have mechanical ground, and the merchandiser must be grounded.

CIRCLED NUMBERS = PARTS LIST ITEM NUMBERS

R = Red G = Green BL = Blue BK = Black W = White

● = 120V POWER ○ = 120V NEUTRAL ⊥ = FIELD GROUND $\overline{\text{mm}}$ = CASE GROUND