

We reserve the right to change or revise specifications and product design in connection with any feature of our products. Such changes do not entitle the buyer to corresponding changes, improvements, additions or replacements for equipment previously sold or shipped.

Item	Part #	Description	Wiring Item #	Item	Part #	Description	Wiring Item #
FAN ASSEMBLIES				LAMPS AND BALLASTS			
4 Ft, 8 Ft & 12 Ft				D.		Ballast, Electronic	(4)
A.		12W Standard Energy Efficient Fan Assembly (1)		0480130		2 lamps (BA.4481676)	
	0477655	Fan Motor, Evaporator (MO.4410546)		0480131		3 lamps (BA.4481654)	
	0461805	Fan Blade (FB.4780446)		0480132		4 lamps (BA.4481677)	
6 Ft Only				E.		Fluorescent Lamp	(5)
A.		7W Standard Energy Efficient Fan Assembly (1)				<i>Replace with like fixtures</i>	
	0477654	Fan Motor, Evaporator (MO.4410545)		LED FIXTURES AND POWER SUPPLY			
	0142780	Fan Blade (FB.0142780)		F.	0501213	Power Supply (EP.4481861)	(6)
THERMOSTATS				G.		LED Canopy Fixture	(7)
B.	0411744	Standard Non-adjustable Defrost Thermostat (CT.0411744)	(2)			<i>Replace with like fixtures</i>	
C.		Optional Adjustable Refrigeration Thermostat(3)		H.		LED Shelf Fixture	(8)
						<i>Replace with like fixtures</i>	

Data sheet-Excel-D6NX-LE

Note: Revision P: Updated plan view dimension. Other changes marked with a bar, circle or underline.

Engineering Plan Views

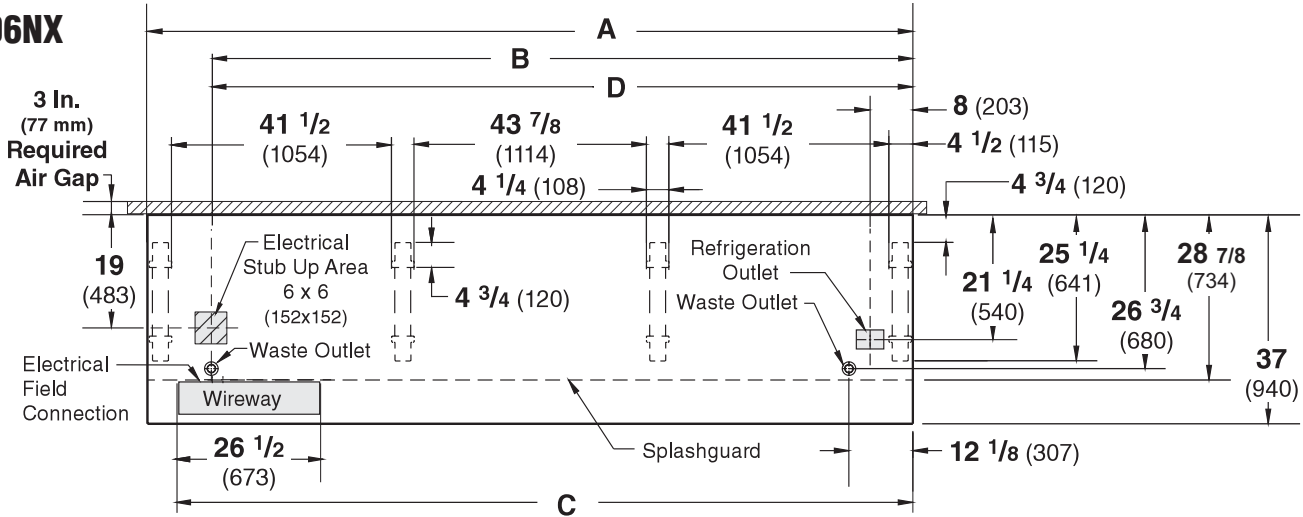
PHYSICAL DATA	
Merchandiser Drip Pipe (in.)	1 1/4
Merchandiser Liquid Line (in.)	3/8
Merchandiser Suction Line (in.)	7/8

Narrow Dairy & Delicatessen

10-2004

Dimensions shown as in. and (mm).

D6NX



NOTE: Case-to-Case Electrical Connections are made IN FRONT OF SPLASHGUARD.

FRONT

	4 ft	6 ft	8 ft	12 ft
General				
(A) Case Length (<i>without ends or partitions</i>)	48 3/8 (1229)	72 3/8 (1838)	96 3/8 (2448)	144 1/2 (3670)
<i>(Each end and insulated partition adds 1 1/2 in. (38 mm) to case line up.)</i>				
Maximum O/S dimension of case back to front <i>(includes bumper)</i>	37 (940)	37 (940)	37 (940)	37 (940)
Back of case to front of splashguard	28 1/2 (724)	28 1/2 (724)	28 1/2 (724)	28 1/2 (724)
Back of case to O/S edge of front leg	25 1/4 (641)	25 1/4 (641)	25 1/4 (641)	25 1/4 (641)
Distance between edges of external legs and center legs	NA	29 1/2 (750)	41 1/2 (1054)	41 1/2 (1054)
Distance between edges of center legs	NA	NA	NA	43 7/8 (1114)
Distance between front legs and splashguard	2 3/4 (70)	2 3/4 (70)	2 3/4 (70)	2 3/4 (70)
Electrical Service <input checked="" type="checkbox"/> (<i>Electrical Field Wiring connection point</i>)				
(B) RH End of case to center of stub up area	36 1/4 (921)	60 1/4 (1530)	84 1/4 (2140)	132 3/8 (3363)
Back of case to center of stub up area	19 (483)	19 (483)	19 (483)	19 (483)
Length of electrical wireway <input type="checkbox"/> Wireway	26 1/2 (673)	26 1/2 (673)	26 1/2 (673)	26 1/2 (673)
(C) RH End of case to LH end of wireway	42 1/8 (1070)	66 1/8 (1680)	90 1/8 (2289)	138 1/4 (3511)
Waste Outlets (<i>One each end</i>) <input checked="" type="checkbox"/>				
(D) RH End of case to the center of LH waste outlet	36 1/4 (921)	60 1/4 (1530)	84 1/4 (2140)	132 3/8 (3363)
RH End of case to the center of RH waste outlet	12 1/8 (307)	12 1/8 (307)	12 1/8 (307)	12 1/8 (307)
Back O/S of case to center of waste outlets	26 3/4 (680)	26 3/4 (680)	26 3/4 (680)	26 3/4 (680)
Schedule 40 PVC drip pipe	1 1/4 (32)	1 1/4 (32)	1 1/4 (32)	1 1/4 (32)
Refrigeration Outlet <input type="checkbox"/>				
Back of case to center of refrigeration outlet	21 1/4 (540)	21 1/4 (540)	21 1/4 (540)	21 1/4 (540)
RH end of case to center of refrigeration outlet	8 (203)	8 (203)	8 (203)	8 (203)

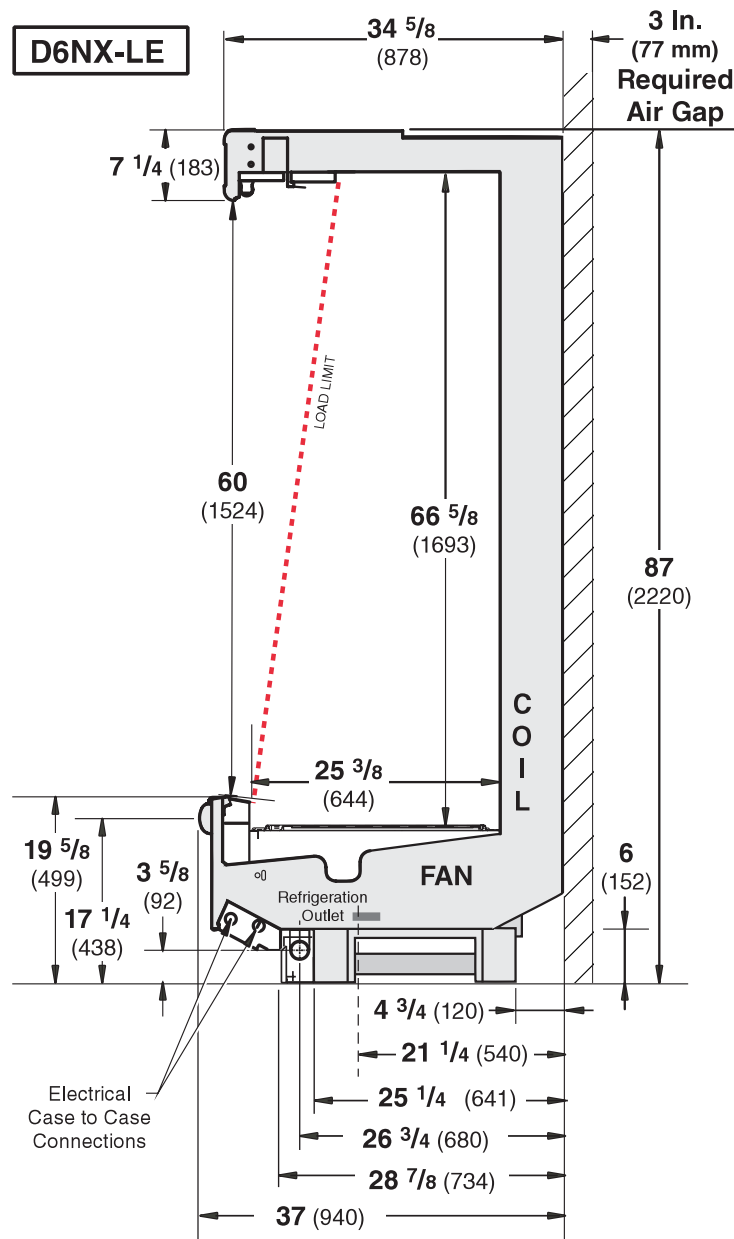
Multi-deck, Narrow Footprint, 6 Display Levels, Low Front



Husmann refrigerated merchandisers configured for sale for use in the United States meet or surpass the requirements of the DOE 2017 energy efficiency standards.



Dimensions shown as in. and (mm).



Estimated Charge ***	D6NX-LE		
4 ft	1.4 lb	22 oz	0.6 kg
6 ft	1.9 lb	30 oz	0.9 kg
8 ft	2.7 lb	43 oz	1.2 kg
12 ft	3.9 lb	62 oz	1.8 kg

***This is an average for all refrigerant types. Actual refrigerant charge may vary by approximately half a pound (8 oz/0.2 kg).

NSF Certification

This merchandiser model is manufactured to meet NSF/ANSI (National Sanitation Foundation) Standard #7 requirements for construction, materials & cleanability.

REFRIGERATION DATA

Note: This data is based on store temperature and humidity that does not exceed 75°F and 55% R.H.

D6NX-LE§	UNLIT	LIT	PEG*
Discharge Air °F	34	32	32
Evaporator °F	26	24	24
Unit Sizing °F	24	22	22

§ Average evaporator temperature shown. Use dew point for high glide refrigerants for unit sizing. Care should be taken to use the dew point in PT tables for measuring and adjusting superheat. Adjust evaporator pressure as needed to maintain discharge air temperature shown.

Btu/hr/ft — Unlit Shelves†

D6NX-LE	Parallel	Conventional
UNLIT	1470	1630
PEG*	1610	1785

* Husmann Peg Shelves (Delí only).

† Add 10 Btu/hr/ft per shelf row for LED fixtures. Add 20 Btu/hr/ft per shelf row for fluorescent lamps.

DEFROST DATA

Frequency Hr 6
 Defrost Water (lb/ft/day) 10.5
 (± 15% based on case configuration and product loading).

OFFTIME	D6NX-LE
Temp Term °F	48
Failsafe Minutes	35

ELECTRIC OR GAS Not Recommended

Standard Defrost Thermostat

Close on rise: close 48°F — open 33°F

CONVENTIONAL CONTROLS

Low Pressure Backup Control

CI/CO**	D6NX-LE
	17°F / 7°F

Indoor Unit Only, Pressure Defrost

Termination** 48°F

**Use a Temperature Pressure Chart to determine PSIG conversions.

Excel D6NX-LE
Dairy & Delicatessen

Electrical Data			4 ft	6 ft	8 ft	12 ft				
Number of Fans—12W			2	—	4	6				
Number of Fans—7W			—	4	—	—				
			Amperes				Watts			
			4 ft	6 ft	8 ft	12 ft	4 ft	6 ft	8 ft	12 ft
Evaporator Fan										
120V	50/60Hz	Standard Energy Efficient	0.60	0.76	1.20	1.80	36	56	72	108
230V	50/60Hz	Standard Energy Efficient	0.30	0.40	0.60	0.90	36	56	72	108
230V	60Hz	Export	0.66	1.00	1.32	1.98	100	156	200	300
230V	50Hz	Export	0.76	1.12	1.52	2.28	114	168	228	342
Minimum Circuit Ampacity										
120V	50/60Hz	Standard Energy Efficient	0.80	0.96	1.40	2.00				
230V	50/60Hz	Standard Energy Efficient	0.50	0.60	0.80	1.10				
230V	60Hz	Export	0.86	1.20	1.52	2.18				
230V	50Hz	Export	0.96	1.32	1.72	2.48				
Maximum Over Current Protection 120V			20	20	20	20				
Maximum Over Current Protection 230V			15	15	15	15				
Standard Lighting (T-8 Fluorescent)										
1 Row Canopy			0.26	0.51	0.51	0.77	30	59	59	85
ONLY LIGHTING CONFIGURATIONS THAT ARE COMPLIANT WITH THE U.S. DEPT. OF ENERGY (DOE) 2017 REGULATION ARE AVAILABLE FOR SALE FOR USE IN THE U.S.A.										
Optional Lighting (T-8 Fluorescent)										
Additional 1 Row Canopy			0.26	0.51	0.51	0.77	30	59	59	85
Additional 2 Row Canopy			0.51	1.02	1.02	1.54	59	118	118	170
Additional 3 Row Canopy			0.77	1.53	1.53	2.31	89	177	177	255
1 Row Rail Light			0.26	0.51	0.51	0.77	30	59	59	85
1 Row of Shelves			0.26	0.51	0.51	0.77	30	59	59	85
4 Rows of Shelves			1.02	2.04	2.04	3.08	118	236	236	340
5 Rows of Shelves			1.28	2.55	2.55	3.85	148	295	295	425
6 Rows of Shelves			1.53	3.06	3.06	4.62	177	354	354	510
EcoShine II Canopy										
EcoShine II			0.16	0.26	0.32	0.48	19.3	31.6	38.6	58.0
EcoShine II HO			0.22	0.33	0.44	0.66	26.5	39.5	53.0	79.4
EcoShine II Rail Light —1 Row			0.08	0.12	0.16	0.25	9.9	14.1	19.8	29.7
EcoShine II Shelf										
1 Row of Shelves			0.08	0.12	0.16	0.25	9.9	14.1	19.8	29.7
4 Rows of Shelves			0.33	0.47	0.66	0.99	39.5	56.4	79.1	118.6
5 Rows of Shelves			0.41	0.59	0.82	1.24	49.4	70.5	98.9	148.3
6 Rows of Shelves			0.49	0.70	0.99	1.48	59.3	84.5	118.6	178.0

120V Lighting Circuit Total = Standard Lighting + Total Optional Lighting + Optional Shelf Lighting

120V LED Lighting Circuit Total = Canopy Lighting + Shelf Lighting

230V Lighting Circuit Total = Multiply 120V Lighting Circuit Total by 0.52

Please note: some combinations of fluorescent lights on this case model may not be compliant with DOE 2017 and may not be available to order in the US and Canada. More lighting options are available with LED lights. The Hussmann Product Configurator will not allow lighting options that do not comply with the DOE 2017 standards.

Product Data

<i>Recommended Usable Cube</i> ¹ (Cu Ft/Ft)	7.54 ft ³ /ft (0.70 m ³ /m)
<i>AHRI Total Display Area</i> ² (Sq Ft/Ft)	5.00 ft ² /ft (1.52 m ² /m)
<i>Shelf Area</i> ³ (Sq Ft/Ft)	8.81 ft ² /ft (2.69 m ² /m)

- ¹ AHRI Refrigerated Volume less shelving and other unusable space: Refrigerated Volume/Unit of Length, ft³/ft [m³/m]
² Computed using AHRI 1200 standard methodology: Total Display Area, ft² [m²]/Unit of Length, ft [m]
³ Shelf surface area is composed of bottom deck plus standard shelf complement, as shown in the Husmann *Product Reference Guide*. The standard shelf complement for this model is (5) rows of 16-inch shelves.

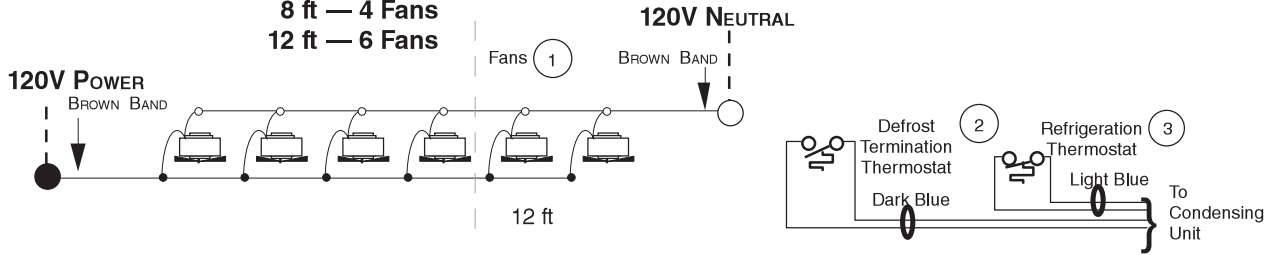
ESTIMATED SHIPPING WEIGHT⁴

Case	<i>4 ft</i>	<i>6 ft</i>	<i>8 ft</i>	<i>12 ft</i>	Solid End (each)
lb (kg)	800 (363)	1000 (454)	1200 (544)	1600 (726)	100 (45)

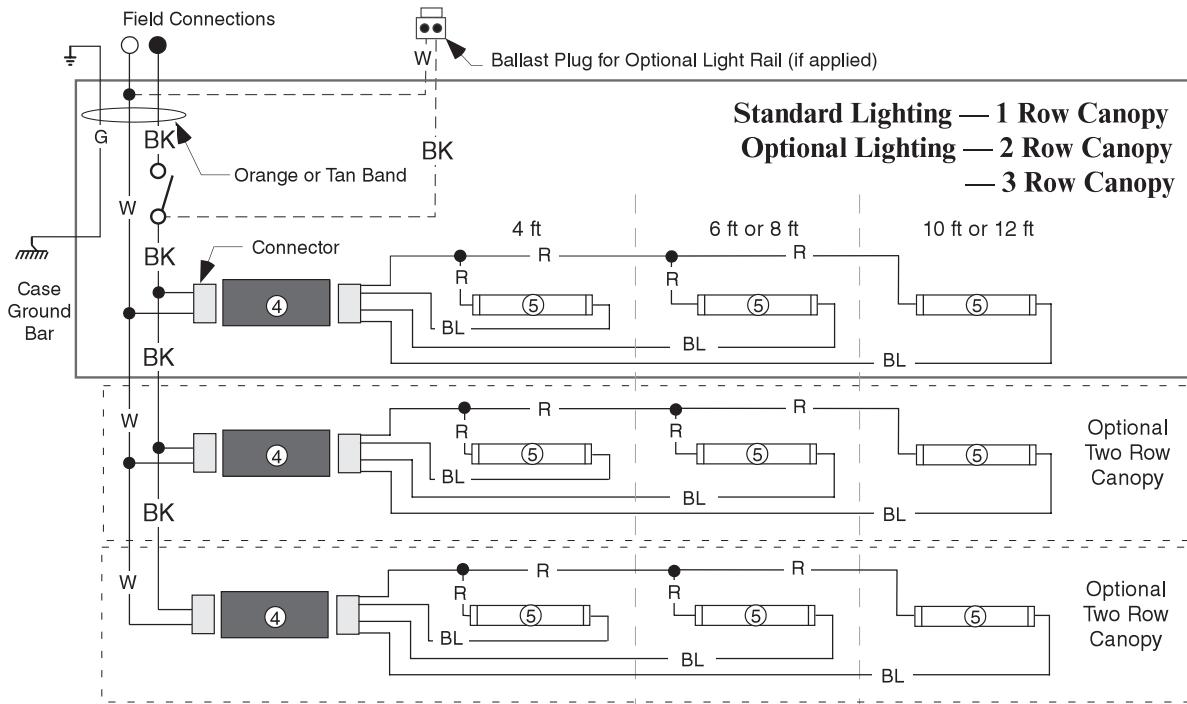
⁴ Actual weights will vary according to optional kits included.

Fan Wiring Offtime Defrost

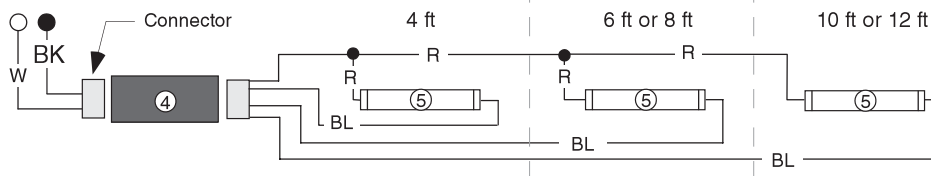
2, 4 & 6 Fans 4 ft — 2 Fan
 6 ft — 4 Fans
 8 ft — 4 Fans
 12 ft — 6 Fans



Canopy Light Circuits — Fluorescent Fixtures



Optional Lighting — 1 Row Rail



WARNING

All components must have mechanical ground, and the merchandiser must be grounded.

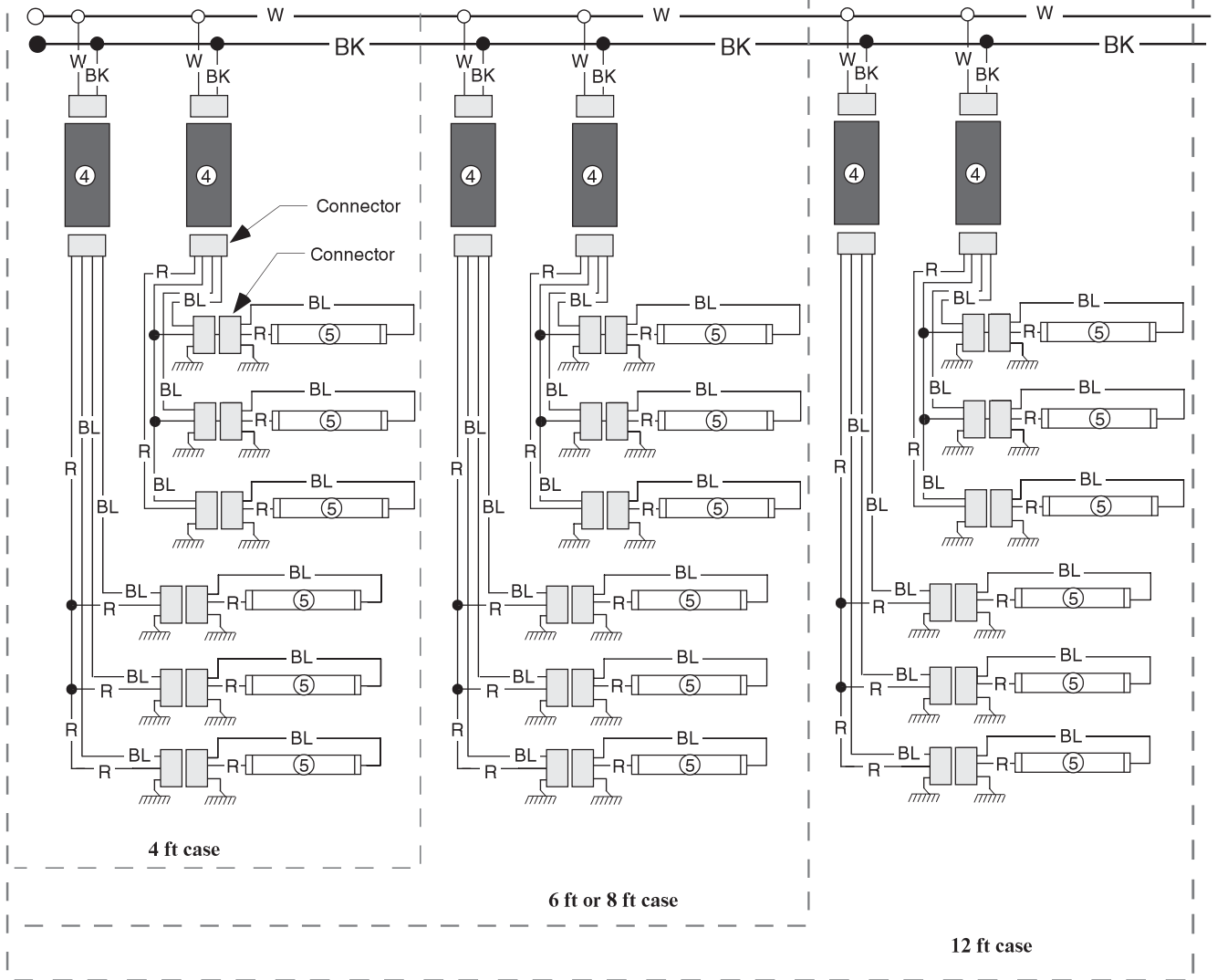
CIRCLED NUMBERS = PARTS LIST ITEM NUMBERS

R = Red Y = Yellow G = Green BL = Blue BK = Black W = White

● = 120V POWER ○ = 120V NEUTRAL ⊥ = FIELD GROUND ≡ = CASE GROUND

Optional Shelf Lighting Fluorescent Fixtures

Optional Shelf Harness and Light Circuits for Six Rows of Shelves



WARNING

All components must have mechanical ground, and the merchandiser must be grounded.

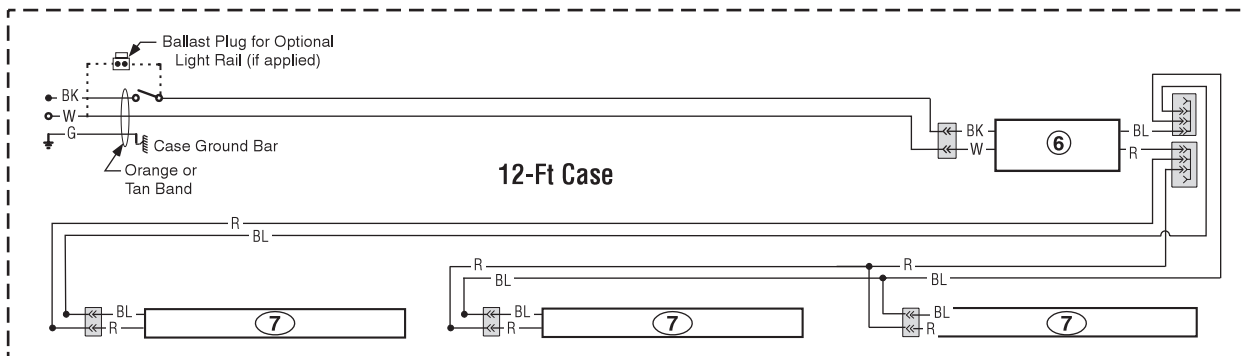
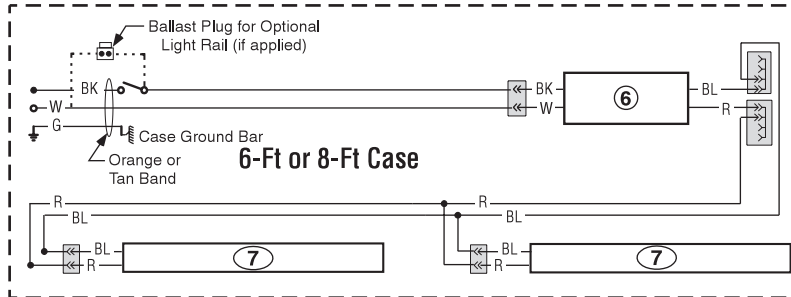
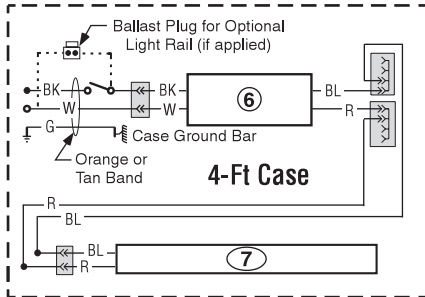
CIRCLED NUMBERS = PARTS LIST ITEM NUMBERS

R = Red Y = Yellow G = Green BL = Blue BK = Black W = White

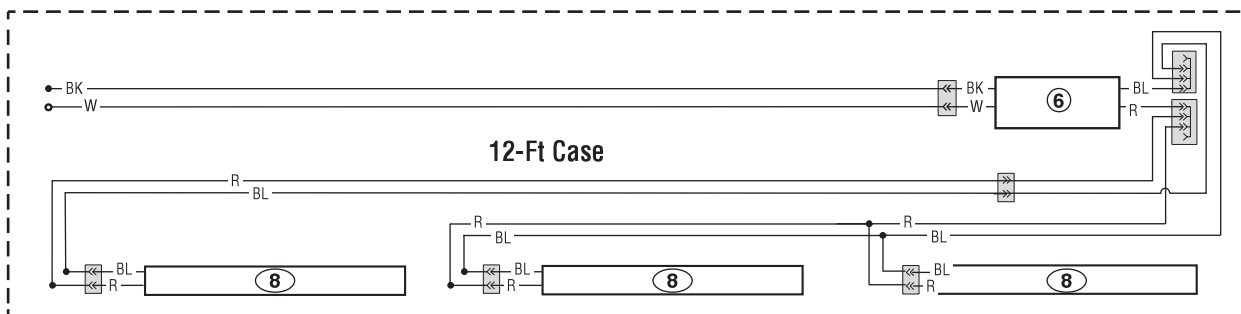
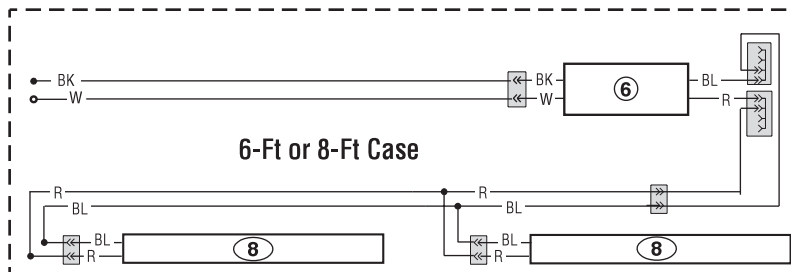
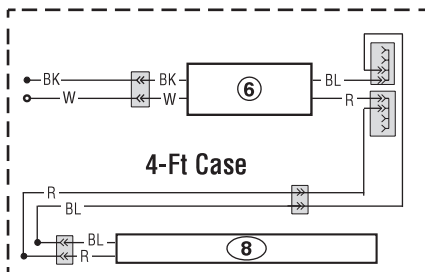
● = 120V POWER ○ = 120V NEUTRAL ⊥ = FIELD GROUND ≡ = CASE GROUND

Optional Canopy and Rail Light Circuits — LED Fixtures

EcoShine II LED Canopy Lighting — 1 Row



EcoShine II LED Rail Lighting — 1 Row



WARNING

All components must have mechanical ground, and the merchandiser must be grounded.

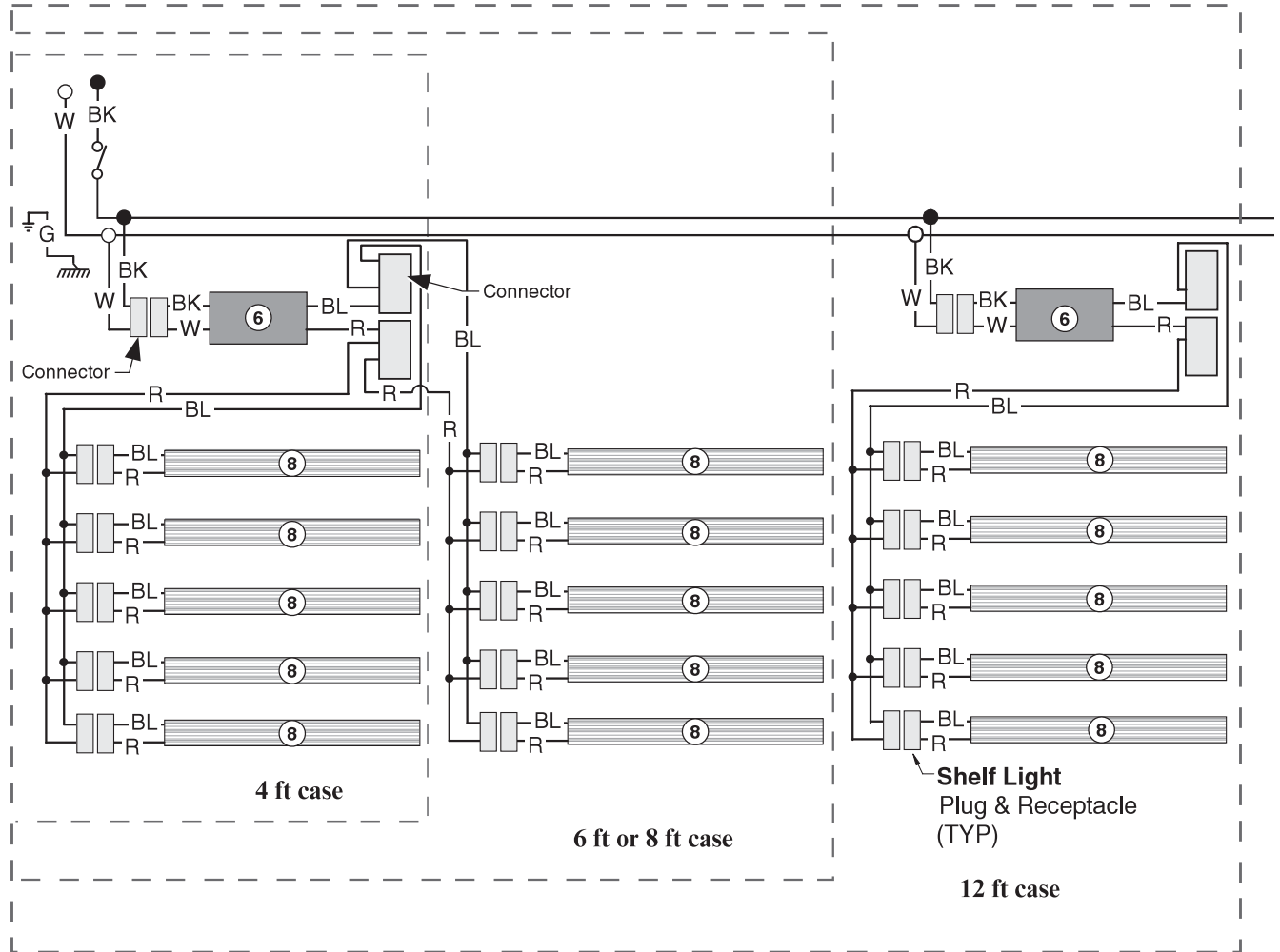
CIRCLED NUMBERS = PARTS LIST ITEM NUMBERS

R = Red Y = Yellow G = Green BL = Blue BK = Black W = White

● = 120V POWER ○ = 120V NEUTRAL ⊥ = FIELD GROUND ⇨ = CASE GROUND

Optional Shelf Lighting LED Fixtures

Optional Shelf Harness and LED Light Circuits for 4 or 5 Rows of Shelves



WARNING

All components must have mechanical ground, and the merchandiser must be grounded.

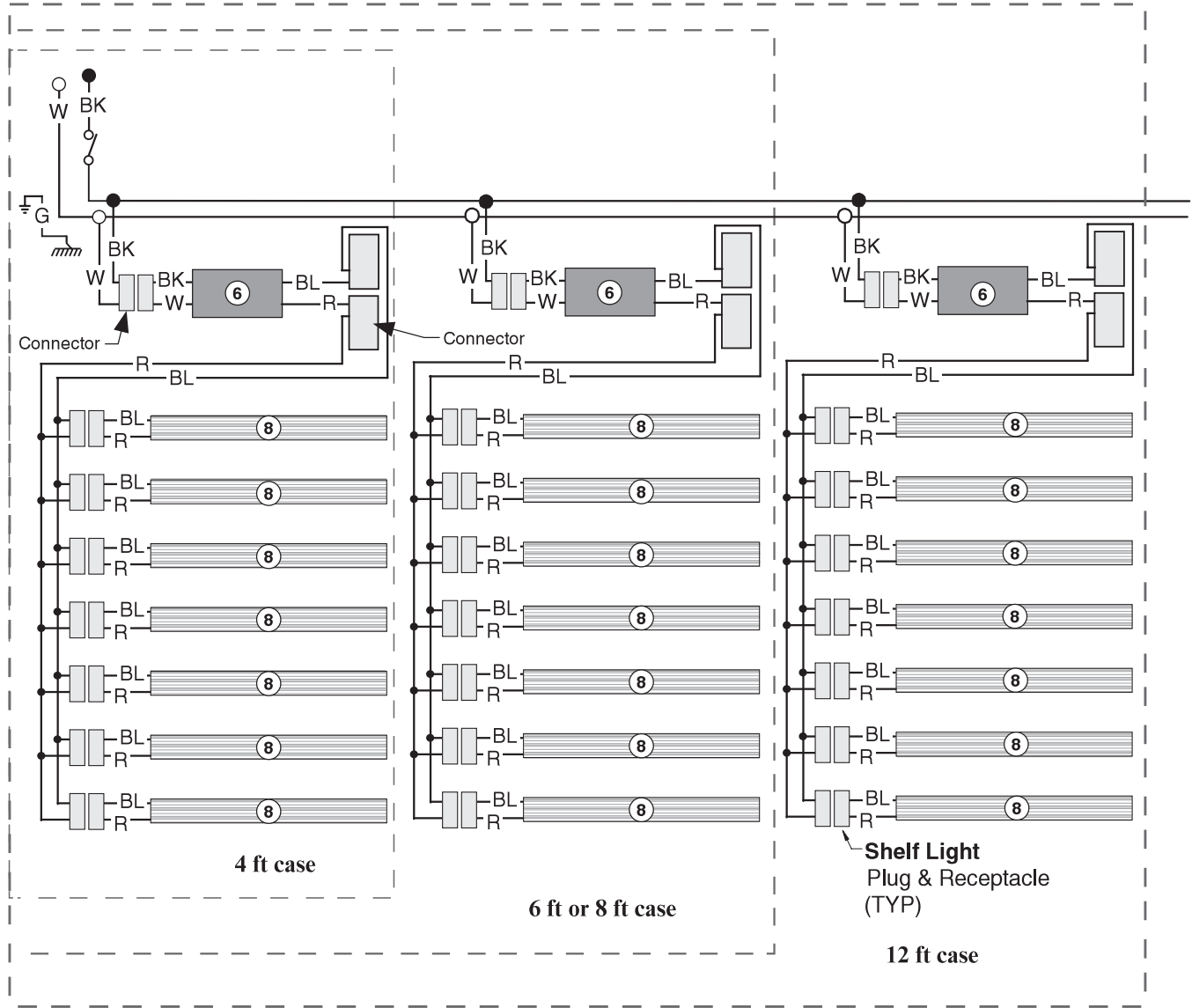
CIRCLED NUMBERS = PARTS LIST ITEM NUMBERS

R = Red G = Green BL = Blue BK = Black W = White

● = 80V POWER ○ = 80V NEUTRAL ⚡ = FIELD GROUND mm = CASE GROUND

Optional Shelf Lighting LED Fixtures

Optional Shelf Harness and LED Light Circuits for 6 or 7 Rows of Shelves



WARNING

All components must have mechanical ground, and the merchandiser must be grounded.

CIRCLED NUMBERS = PARTS LIST ITEM NUMBERS

R = Red

G = Green

BL = Blue

BK = Black

W = White

● = 80V POWER

○ = 80V NEUTRAL

⏏ = FIELD GROUND

mmmm = CASE GROUND