

We reserve the right to change or revise specifications and product design in connection with any feature of our products. Such changes do not entitle the buyer to corresponding changes, improvements, additions or replacements for equipment previously sold or shipped.

Item	Part #	Description	Wiring Item #	Item	Part #	Description	Wiring Item #
FAN ASSEMBLIES				THERMOSTATS			
8 Ft & 12 Ft				B. 0411744 Standard Non-adjustable Defrost Thermostat (2)			
A.	25W Standard	Fan Assembly	(1)	C. Optional Adjustable Refrigeration Thermostat (3)			
	0501486	Fan Motor, Evaporator (MO.4410702)		FLUORESCENT LAMPS AND BALLASTS			
	0501484	Fan Blade (FB.4780657)		D.	Ballast, Electronic		(4)
	25W Energy Efficient	Fan Assembly	(1)		0480130	2 lamps (BA.4481676)	
	0501485	Fan Motor, Evaporator (MO.4410701)			0480131	3 lamps (BA.4481654)	
	0501484	Fan Blade (FB.4780657)			0480132	4 lamps (BA.4481677)	
6 Ft Only				E.	Fluorescent Lamp		(5)
A.	7W Standard	Fan Assembly	(1)	<i>Replace with like fixtures</i>			
	0058698	Fan Motor, Evaporator (MO.4410102)		LED FIXTURES AND POWER SUPPLY			
	0142780	Fan Blade (FB.0142780)		F.	0501213	Power Supply (EP.4481861)	(6)
	7W Energy Efficient	Fan Assembly	(1)	G.		LED Canopy Fixture	(7)
	0477654	Fan Motor, Evaporator (MO.4410545)		<i>Replace with like fixtures — See Page 5.</i>			
	0142780	Fan Blade (FB.0142780)		H.		LED Shelf Fixture	(8)
				<i>Replace with like fixtures — See Page 5.</i>			

Note: Revision E adds EcoShine LED (page 4) and parts (page 5), and revises canopy wiring diagram (page 6). Other changes marked by bar, underline or circle.

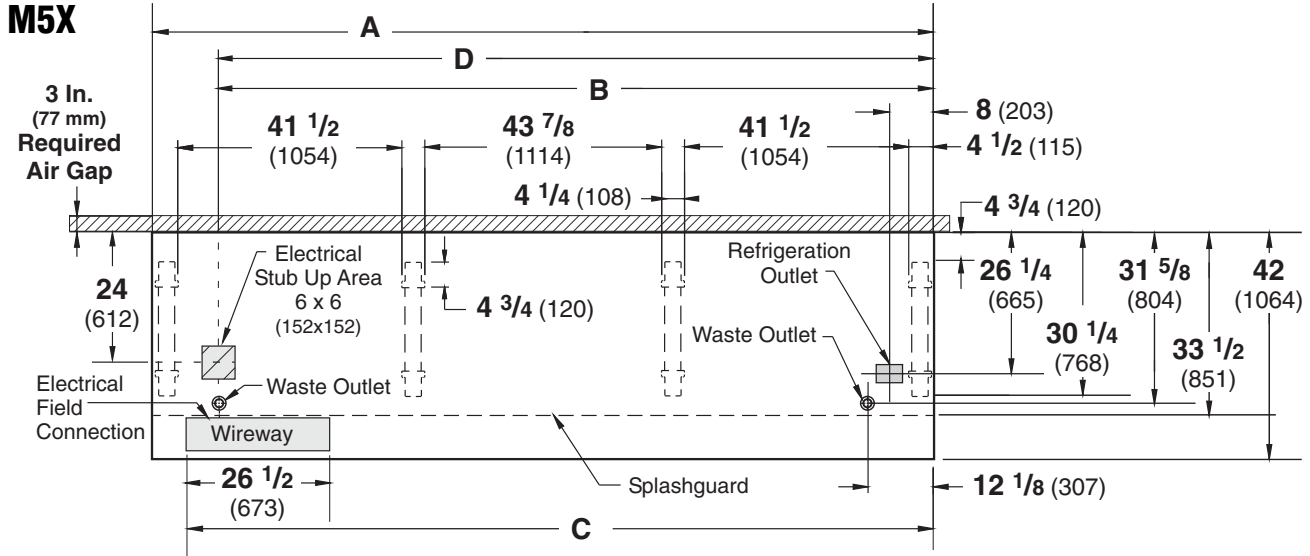


Engineering Plan Views

PHYSICAL DATA	
Merchandiser Drip Pipe (in.)	1 1/4
Merchandiser Liquid Line (in.)	3/8
Merchandiser Suction Line (in.)	7/8

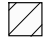
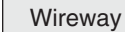


Meat and Produce
10-2004

Dimensions shown as inches and (mm).



NOTE: Case-to-Case Electrical Connections are made IN FRONT OF SPLASHGUARD.

FRONT

	6 ft	8 ft	12 ft
General			
(A) Case Length (without ends or partitions) (Each end and insulated partition adds 1 1/2 in. (38 mm) to case line up.) Maximum O/S dimension of case back to front (includes bumper)	72 3/8 (1838)	96 3/8 (2448)	144 1/2 (3670)
Back of case to front of splashguard	42 (1064)	42 (1064)	42 (1064)
Back of case to O/S edge of front leg	33 1/2 (851)	33 1/2 (851)	33 1/2 (851)
Distance between edges of external legs and center legs	30 1/4 (768)	30 1/4 (768)	30 1/4 (768)
Distance between edges of center legs	29 1/2 (750)	41 1/2 (1054)	41 1/2 (1054)
Distance between front legs and splashguard	NA	NA	43 7/8 (1114)
	2 3/4 (70)	2 3/4 (70)	2 3/4 (70)
Electrical Service  (Electrical Field Wiring connection point)			
(B) RH End of case to center of stub up area	60 1/4 (1530)	84 1/4 (2140)	132 3/8 (3363)
Back of case to center of stub up area	24 (612)	24 (612)	24 (612)
Length of electrical wireway 	26 1/2 (673)	26 1/2 (673)	26 1/2 (673)
(C) RH End of case to LH end of wireway	66 1/8 (1680)	90 1/8 (2289)	138 1/4 (3511)
Waste Outlets (One each end) 			
(D) RH End of case to the center of LH waste outlet	60 1/4 (1530)	84 1/4 (2140)	132 3/8 (3363)
RH End of case to the center of RH waste outlet	12 1/8 (307)	12 1/8 (307)	12 1/8 (307)
Back O/S of case to center of waste outlets	31 5/8 (804)	31 5/8 (804)	31 5/8 (804)
Schedule 40 PVC drip pipe	1 1/4 (32)	1 1/4 (32)	1 1/4 (32)
Refrigeration Outlet 			
Back of case to center of refrigeration outlet	26 1/4 (665)	26 1/4 (665)	26 1/4 (665)
RH end of case to center of refrigeration outlet	8 (203)	8 (203)	8 (203)

Impact *Excel* M5X-GE
Meat & Delicatessen

REFRIGERATION DATA

Note: This data is based on store temperature and humidity that does not exceed 75°F and 55% R.H.

	M5X-GE
Discharge Air °F	28
Evaporator °F	21
Unit Sizing °F	19

Btu/hr/ft ‡ — *Unlit Shelves* ††

	M5X-GE Parallel	Conventional
UNLIT	1320	1440

‡ Optional energy efficient motors reduce the refrigeration load by 46 Btu/hr/ft.
 †† Add 10 Btu/hr/ft *per shelf row* for LED fixtures.
 Add 20 Btu/hr/ft *per shelf row* for fluorescent lamps.

DEFROST DATA

Frequency Hr	6
Defrost Water (lb/ft/day)	9
<i>(± 15% based on case configuration and product loading).</i>	

<i>OFFTIME</i>	M5X-GE
Temp Term °F	48
Failsafe Minutes	35

ELECTRIC OR GAS Not Recommended

Standard Defrost Thermostat

Close on rise: close 48°F — open 33°F

CONVENTIONAL CONTROLS

Low Pressure Backup Control

CI/CO*	M5X-GE
	14°F / 4°F

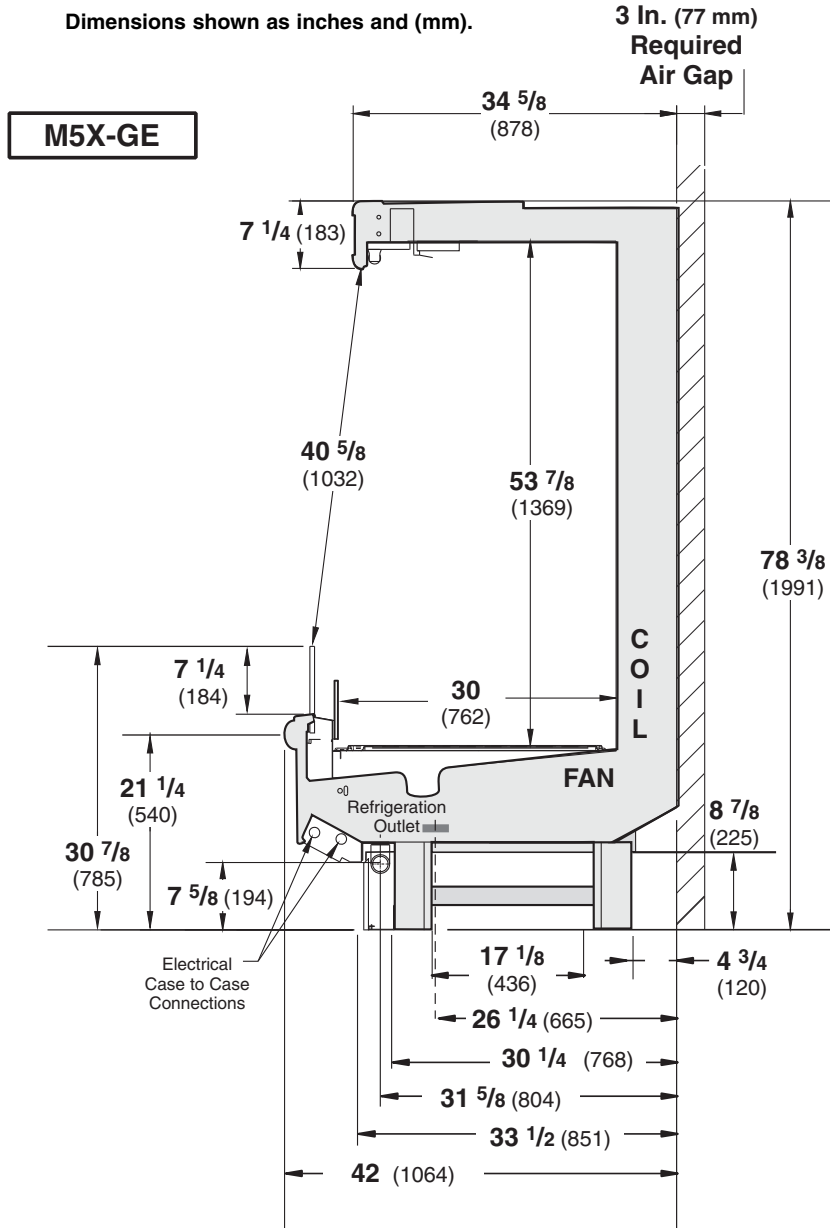
Indoor Unit Only,

Pressure Defrost Termination* 48°F

*Use a Temperature Pressure Chart to determine PSIG conversions.

	M5X-GE		
Estimated Charge**			
6 ft	1.9 lb	30 oz	0.9 kg
8 ft	2.7 lb	43 oz	1.2 kg
12 ft	3.9 lb	62 oz	1.8 kg

***This is an average for all refrigerant types.
 Actual refrigerant charge may vary by approximately half a pound.



NSF Certification

This merchandiser model is manufactured to meet ANSI/NSF (National Sanitation Foundation) Standard #7 requirements for construction, materials & cleanability.

Impact *Excel* M5X-GE

Meat & Delicatessen

Electrical Data

			6 ft	8 ft	12 ft			
Number of Fans—25W			—	2	3			
Number of Fans—7W			4	—	—			
			Amperes			Watts		
			6 ft	8 ft	12 ft	6 ft	8 ft	12 ft
Evaporator Fan								
120V	60Hz	Standard	2.00	2.46	3.69	156	180	270
120V	50Hz	Standard	2.20	2.66	3.99	168	206	309
230V	60Hz	Export	1.00	1.32	1.98	156	200	300
230V	50Hz	Export	1.12	1.52	2.28	168	228	342
120V	60Hz	Energy Efficient	0.76	1.20	1.80	56	72	108
230V	60Hz	Energy Efficient	0.40	0.60	0.90	56	72	108
Minimum Circuit Ampacity								
120V	60Hz	Standard	2.20	2.66	3.89			
120V	50Hz	Standard	2.40	2.86	4.19			
230V	60Hz	Export	1.20	1.52	2.18			
230V	50Hz	Export	1.32	1.72	2.48			
120V	60Hz	Energy Efficient	0.96	1.40	2.00			
230V	60Hz	Energy Efficient	0.60	0.80	1.10			
Maximum Over Current Protection 120V			20	20	20			
Maximum Over Current Protection 230V			15	15	15			
Standard Lighting (T-8 fluorescent)								
1 Row Canopy			0.51	0.51	0.77	59	59	85
Optional Lighting (T-8 fluorescent)								
Additional 1 Row Canopy			0.51	0.51	0.77	59	59	85
Additional 2 Row Canopy			1.02	1.02	1.54	118	118	170
Additional 3 Row Canopy			1.53	1.53	2.31	177	177	255
1 Row Rail Light			NA — Glass front does not accept rail light					
4 Rows of Shelves			2.04	2.04	3.08	236	236	340
5 Rows of Shelves			2.55	2.55	3.85	295	295	425
EcoShine Multi-deck — Normal CRI—120VAC, 50/60Hz								
2 Row Canopy (Front & Rear)			0.41	0.55	0.82	49	66	98
4 Rows of Shelves			0.58	0.78	1.17	70	93	140
5 Rows of Shelves			0.73	0.97	1.45	87	116	174
EcoShine Multi-deck — High CRI — 120VAC, 50/60Hz								
2 Row Canopy (Front & Rear)			0.47	0.63	0.93	56	75	112
3 Rows of Shelves			0.53	0.70	1.05	63	84	126
4 Rows of Shelves			0.70	0.93	1.40	84	112	168
5 Rows of Shelves			0.88	1.17	1.75	105	140	210
Always*Bright Multi-deck Lighting — 120VAC, 50/60Hz								
2 Row Canopy (Front & Rear)			0.55	0.71	1.08	66	85	130
4 Rows of Shelves			0.68	0.93	1.40	82	112	168
5 Rows of Shelves			0.83	1.13	1.69	99	136	203

120V Lighting Circuit Total = Standard Lighting + Total Optional Lighting + Optional Shelf Lighting

230V Lighting Circuit Total = Multiply 120V Lighting Circuit Total by 0.52

Product Data

<i>Recommended Usable Cube</i> ¹ (Cu Ft/Ft)	6.95 ft ³ /ft (0.65 m ³ /m)
<i>AHRI Total Display Area</i> ² (Sq Ft/Ft)	4.40 ft ² /ft (1.34 m ² /m)
<i>Shelf Area</i> ³ (Sq Ft/Ft)	8.36 ft ² /ft (2.55 m ² /m)

- ¹ AHRI Refrigerated Volume less shelving and other unusable space: Refrigerated Volume/Unit of Length, ft³/ft [m³/m]
² Computed using AHRI 1200 standard methodology: Total Display Area, ft² [m²]/Unit of Length, ft [m]
³ Shelf surface area is composed of bottom deck plus standard shelf complement, as shown in the Hussmann *Product Reference Guide*. The standard shelf complement for this model is (2) rows of 16-inch shelves and (2) rows of 18-inch shelves.

ESTIMATED SHIPPING WEIGHT ⁴				
Case	<i>6 ft</i>	<i>8 ft</i>	<i>12 ft</i>	Solid End (each)
lb (kg)	1000 (454)	1100 (499)	1500 (680)	100 (45)

⁴ Actual weights will vary according to optional kits included.

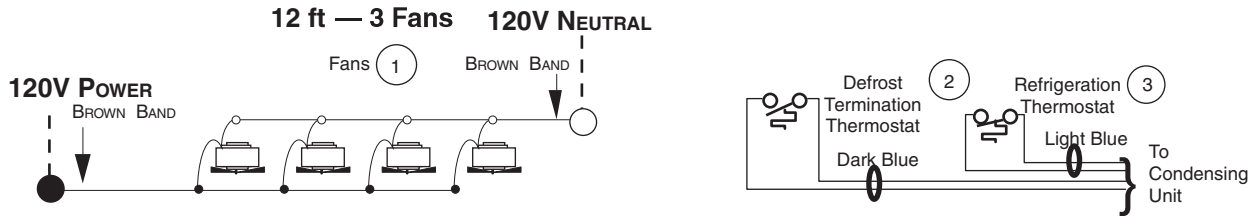
PARTS LIST (Continued from Page 1)				
Item	Part #	Description	Item	Part # Description
LED FIXTURES AND POWER SUPPLY				
F.	0501213	Power Supply (EP.4481861) (6)	G.	(CONTINUED) EcoShine LED Canopy Fixture
G.	4441720	Front 48-inch 2900K HCRI		4441713 Rear 36-inch 2900K HCRI
	4441722	Front 48-inch 3500K HCRI		4441715 Rear 36-inch 3500K HCRI
	4441724	Front 48-inch 3500K		4441717 Rear 36-inch 3500K
	4441726	Front 48-inch 4100K		4441719 Rear 36-inch 4100K
	4441721	Rear 48-inch 2900K HCRI	H.	EcoShine LED Shelf Fixture (8)
	4441723	Rear 48-inch 3500K HCRI		4441590 48-inch 2900K HCRI
	4441725	Rear 48-inch 3500K		4441591 48-inch 3500K HCRI
	4441727	Rear 48-inch 4100K		4441592 48-inch 3500K
				4441593 48-inch 4100K
	4441712	Front 36-inch 2900K HCRI		4441586 36-inch 2900K HCRI
	4441714	Front 36-inch 3500K HCRI		4441587 36-inch 3500K HCRI
	4441716	Front 36-inch 3500K		4441588 36-inch 3500K
	4441718	Front 36-inch 4100K		4441589 36-inch 4100K

Note: Always*Bright lamps will be replaced with the latest generation of EcoShine lamps.

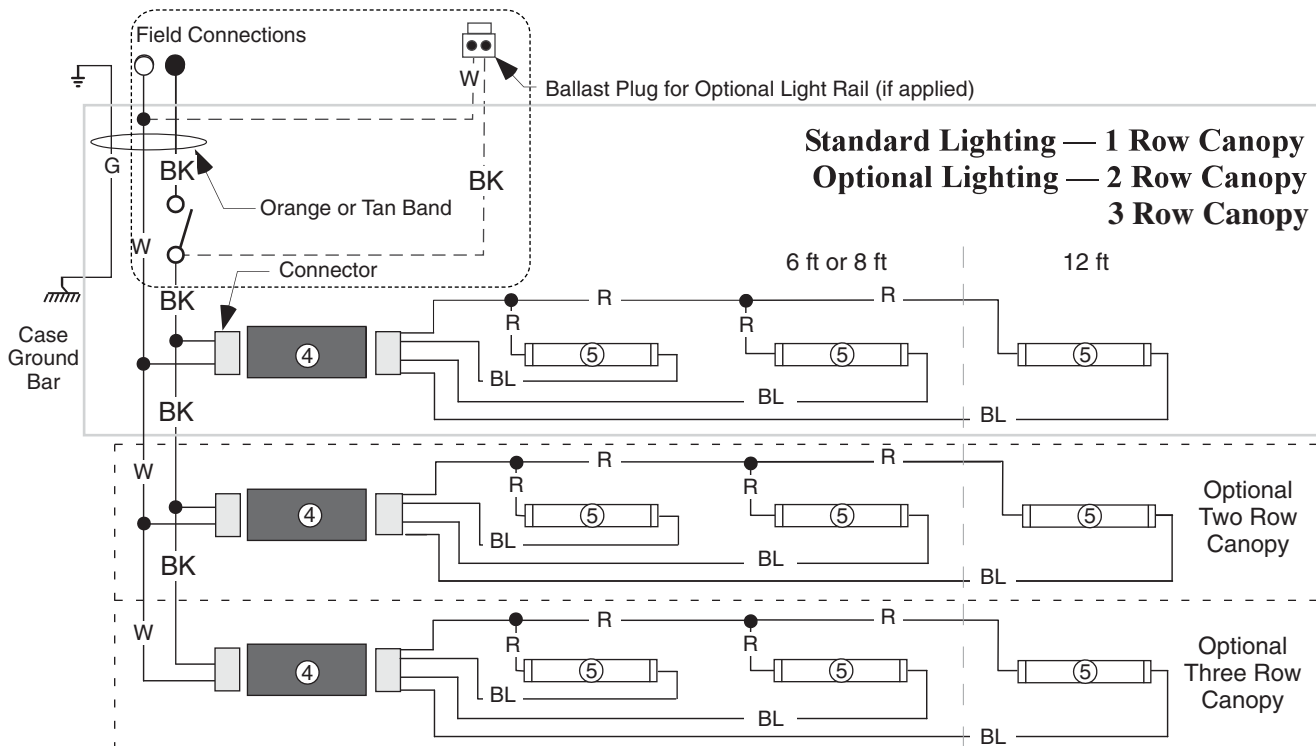
Fan Wiring Offtime Defrost

2, 3 & 4 Fans

6 ft — 4 Fans
8 ft — 2 Fans
12 ft — 3 Fans



Light Circuits — Fluorescent Fixtures



WARNING

All components must have mechanical ground, and the merchandiser must be grounded.

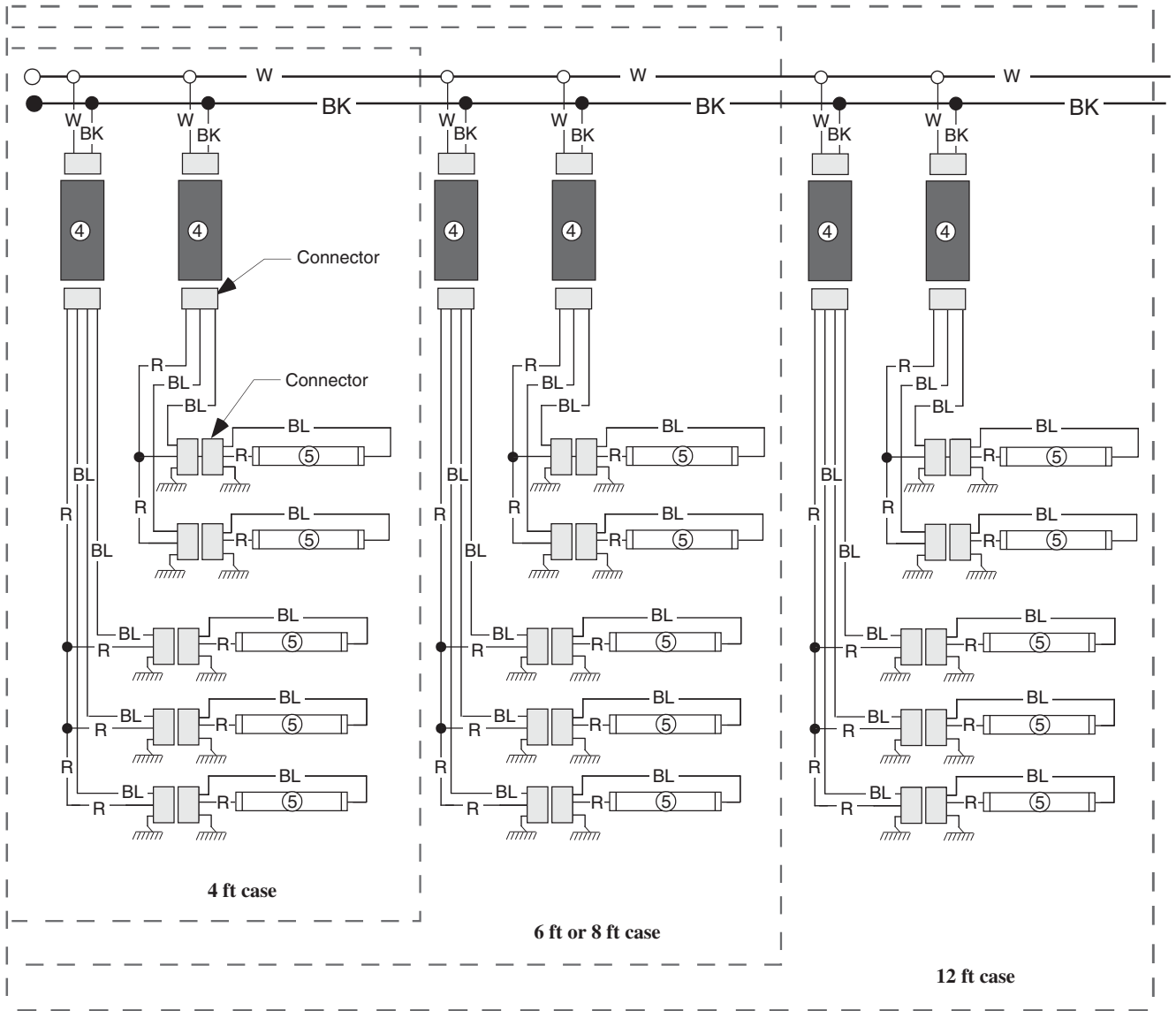
CIRCLED NUMBERS = PARTS LIST ITEM NUMBERS

R = Red Y = Yellow G = Green BL = Blue BK = Black W = White

● = 120V POWER ○ = 120V NEUTRAL ⊥ = FIELD GROUND ≡ = CASE GROUND

Optional Shelf Lighting Fluorescent Fixtures

Optional Shelf Harness and Light Circuits for Five Rows of Shelves



WARNING

All components must have mechanical ground, and the merchandiser must be grounded.

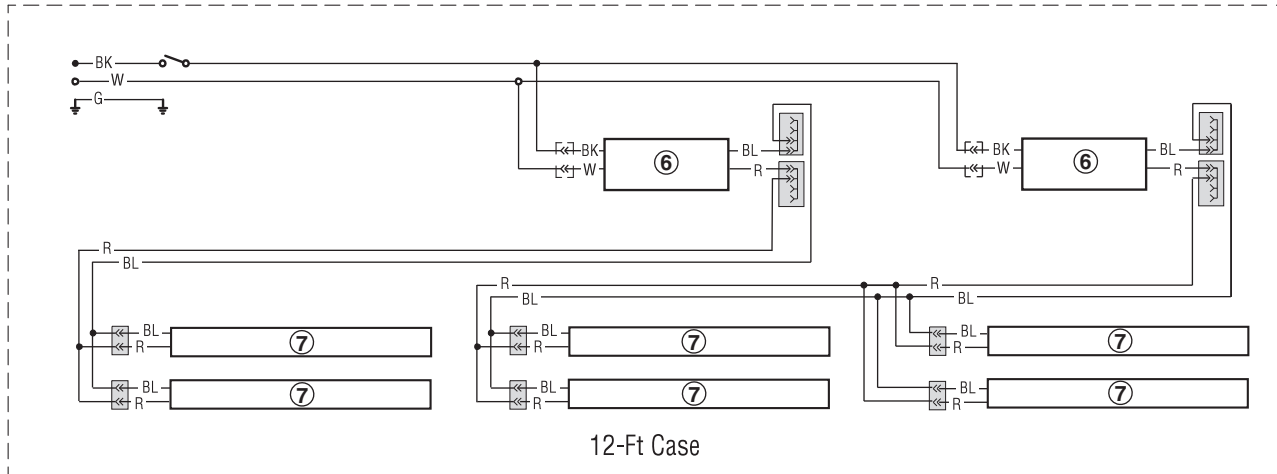
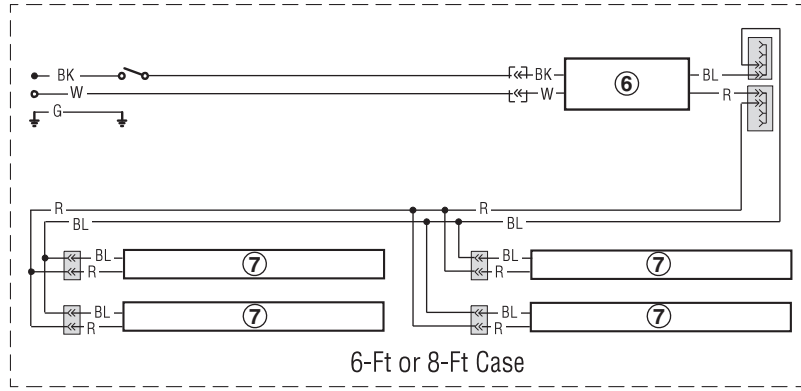
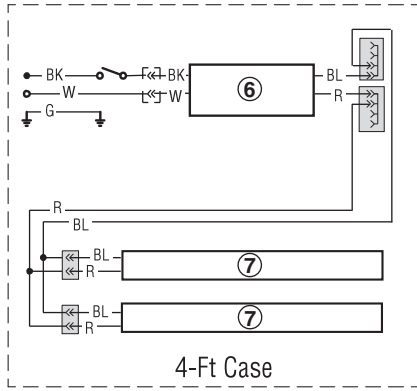
CIRCLED NUMBERS = PARTS LIST ITEM NUMBERS

R = Red Y = Yellow G = Green BL = Blue BK = Black W = White

● = 120V POWER ○ = 120V NEUTRAL ⚡ = FIELD GROUND ≡ = CASE GROUND

Optional Shelf Lighting LED Fixtures

Standard LED Canopy Lighting — 2 Row Canopy



WARNING

All components must have mechanical ground, and the merchandiser must be grounded.

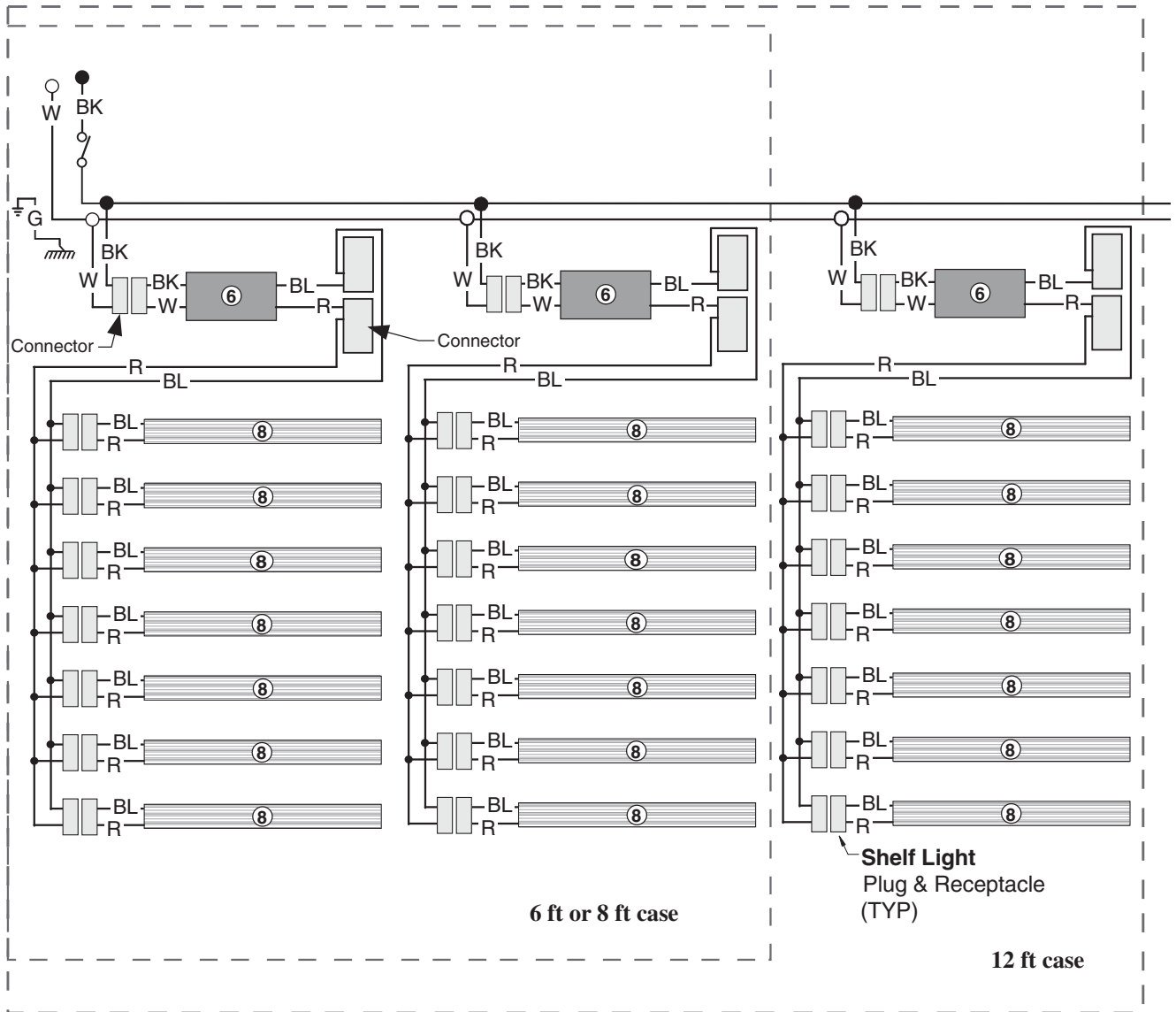
CIRCLED NUMBERS = PARTS LIST ITEM NUMBERS

R = Red Y = Yellow G = Green BL = Blue BK = Black W = White

● = 120V POWER ○ = 120V NEUTRAL ⚡ = FIELD GROUND ≡ = CASE GROUND

Optional Shelf Lighting LED Fixtures

Optional Shelf Harness and LED Light Circuits for 3, 4, 5, 6 & 7 Rows of Shelves



WARNING

All components must have mechanical ground, and the merchandiser must be grounded.

CIRCLED NUMBERS = PARTS LIST ITEM NUMBERS

R = Red G = Green BL = Blue BK = Black W = White

● = 120V POWER ○ = 120V NEUTRAL ⚡ = FIELD GROUND mmm = CASE GROUND