

We reserve the right to change or revise specifications and product design in connection with any feature of our products. Such changes do not entitle the buyer to corresponding changes, improvements, additions or replacements for equipment previously sold or shipped.

Item	Part #	Description	Wiring Item #	Item	Part #	Description	Wiring Item #
FAN ASSEMBLIES, AND THERMOSTATS				HEATERS (CONTINUED)			
A.	4W Standard Energy Efficient Fan Assembly	(1)	G.	208V Drip Pan Defrost Heaters, Electric	(6)		
	0477653	Fan Motor, Evaporator (MO.4410544)		0481865	4 ft case (HE.4850638)		
	0464847	Fan Blade (FB.4780649)		0444300	6 ft case (HE.4850609)		
B.	Optional Adjustable Refrigeration Thermostat	(2)		0462160	8 ft case (HE.4850636)		
				0444296	12 ft case (HE.4850572)		
C.	0398557	Defrost Termination Thermostat (Front/Electric Defrost only) (CT.4440611)	(3)		120V Drip Pan Defrost Heaters, Koolgas	(7)	
D.	0398558	Defrost Termination Thermostat (Rear/Electric Defrost only) (CT.4481088)	(3)	0488967	4 ft case (HE.4850641)		
E.	0481370	Heater Switch (Koolgas Defrost only) (CT.4440738)	(4)	0465906	6 ft case (HE.4850628)		
				0465907	8 ft case (HE.4850622)		
				0465908	12 ft case (HE.4850623)		
				H.	Nosing Anti-sweat Heaters	(8)	
					0495009	4 ft case (HE.4850687)	
					0495006	6 ft case (HE.4850684)	
					0495007	8 ft case (HE.4850685)	
					0495008	12 ft case (HE.4850686)	
				I.	Return Grille Anti-sweat Heaters	(9)	
					0495013	4 ft case (HE.4850691)	
					0495010	6 ft case (HE.4850688)	
					0495011	8 ft case (HE.4850689)	
					0495012	12 ft case (HE.4850690)	
				J.	Return Glass Anti-sweat Heaters	(10)	
					0481867	4 ft case (GL.4978594)	
					0474775	6 ft case (GL.4977903)	
					0474778	8 ft case (GL.4987838)	
					0474779	12 ft case (GL.4987839)	

Data sheet-Excel FWG

Note: Revision N: Added high glide refrigerant note. Other changes marked by bar, underline or circle.

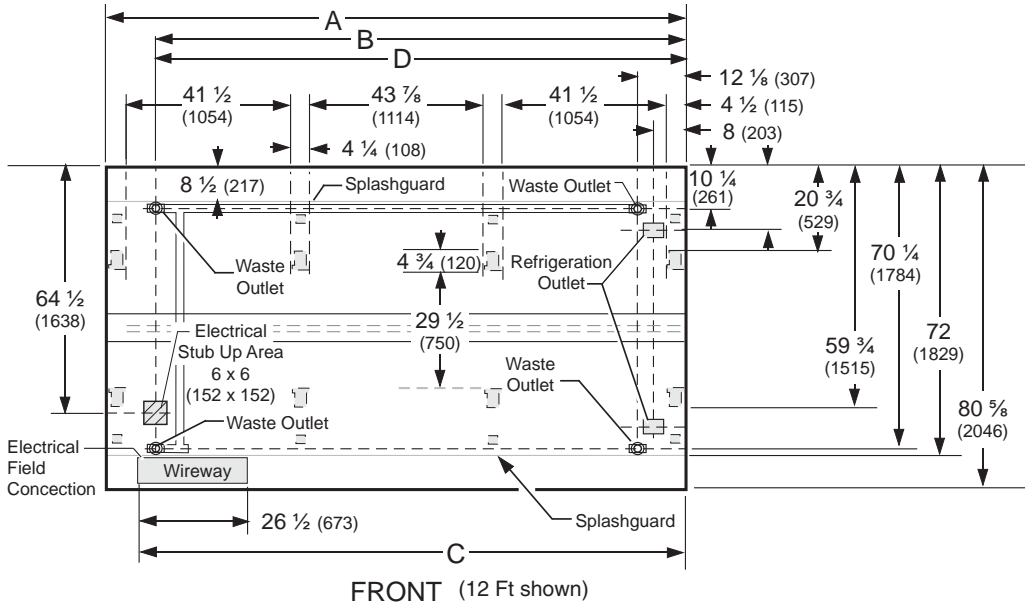
Engineering Plan Views

PHYSICAL DATA	
Merchandiser Drip Pipe (in.)	1 1/4
Merchandiser Liquid Line (in.)	3/8
Merchandiser Suction Line (in.)	5/8

Low / Medium Temperature Wide Island

Dimensions shown as inches & (mm).

10-2004



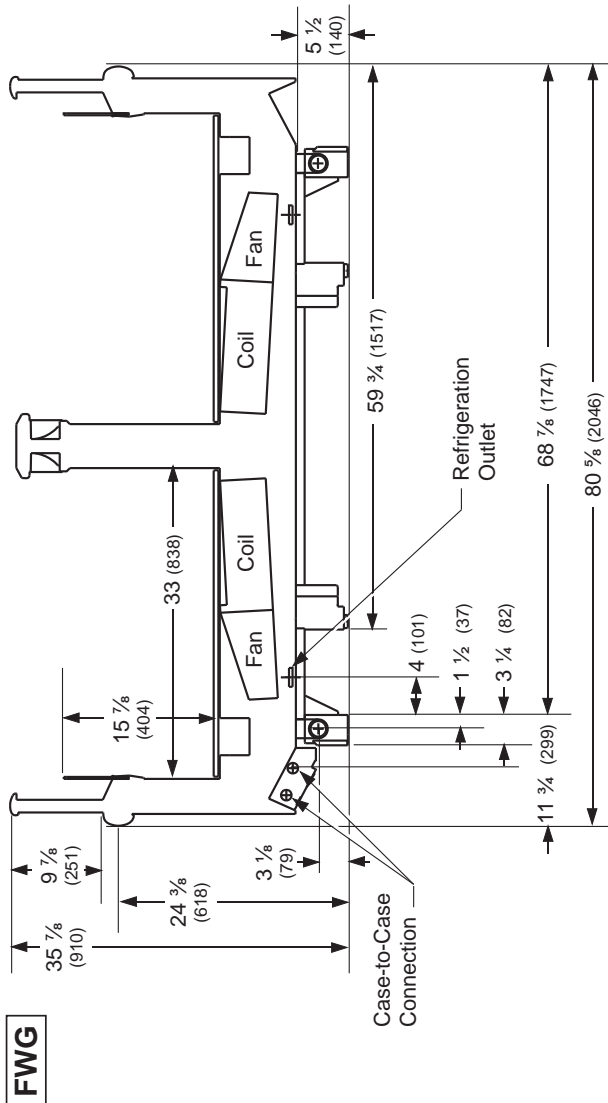
	4 ft	6 ft	8 ft	12 ft
General				
(A) Case Length (<i>without ends or partitions</i>)	48 1/4 (1226)	73 3/4 (1874)	96 3/8 (2448)	144 1/2 (3670)
<i>(Each end and insulated partition adds 2 in. (51 mm) to case line up.)</i>				
Maximum O/S dimension of case back to front (<i>includes bumper</i>)	80 5/8 (2046)	80 5/8 (2046)	80 5/8 (2046)	80 5/8 (2046)
Back of case to front of splashguard	72 (1829)	72 (1829)	72 (1829)	72 (1829)
Back of case to O/S edge of front leg	59 3/4 (1515)	59 3/4 (1515)	59 3/4 (1515)	59 3/4 (1515)
Distance between edges of external legs and center legs	NA	30 1/4 (768)	41 1/2 (1054)	41 1/2 (1054)
Distance between edges of center legs	NA	NA	NA	43 7/8 (1114)
Distance between front legs and splashguard	12 3/8 (312)	12 3/8 (312)	12 3/8 (312)	12 3/8 (312)
Electrical Service <input checked="" type="checkbox"/> (<i>Electrical Field Wiring connection point</i>)				
(B) RH End of case to center of stub up area	36 1/8 (918)	61 5/8 (1565)	84 1/4 (2140)	132 3/8 (3363)
Back of case to center of stub up area	64 1/2 (1638)	64 1/2 (1638)	64 1/2 (1638)	64 1/2 (1638)
Length of electrical wireway Wireway	26 1/2 (673)	26 1/2 (673)	26 1/2 (673)	26 1/2 (673)
(C) RH End of case to LH end of wireway	40 1/2 (1029)	67 1/2 (1715)	90 1/8 (2289)	138 1/4 (3511)
Waste Outlets (<i>One each end</i>) <input checked="" type="checkbox"/>				
(D) RH End of case to the center of LH waste outlet	36 1/8 (918)	61 5/8 (1565)	84 1/4 (2140)	132 3/8 (3363)
RH End of case to the center of RH waste outlet	12 1/8 (307)	12 1/8 (307)	12 1/8 (307)	12 1/8 (307)
Back O/S of case to center of waste outlets	70 1/4 (1784)	70 1/4 (1784)	70 1/4 (1784)	70 1/4 (1784)
Schedule 40 PVC drip pipe	1 1/4 (32)	1 1/4 (32)	1 1/4 (32)	1 1/4 (32)
Refrigeration Outlet <input checked="" type="checkbox"/>				
Back of case to center of front refrigeration outlet	64 7/8 (1646)	64 7/8 (1646)	64 7/8 (1646)	64 7/8 (1646)
Back of case to center of rear refrigeration outlet	15 3/4 (400)	15 3/4 (400)	15 3/4 (400)	15 3/4 (400)
RH end of case to center of refrigeration outlet	8 (203)	8 (203)	8 (203)	8 (203)

Wide Island Display with Glass Walls

DOE 2017
Energy Efficiency
Compliant

Husmann refrigerated merchandisers configured for sale for use in the United States meet or surpass the requirements of the DOE 2017 energy efficiency standards.

Dimensions shown as inches & (mm).



FWG

Estimated Charge ****

4 ft	1.7 lb	27 oz	0.8 kg
6 ft	2.1 lb	34 oz	1.0 kg
8 ft	2.5 lb	40 oz	1.1 kg
12 ft	3.7 lb	59 oz	1.7 kg

****This is an average for all refrigerant types. Actual refrigerant charge may vary by approximately half a pound (8 oz/0.2 kg).

NSF Certification

This merchandiser model is manufactured to meet NSF/ANSI (National Sanitation Foundation) Standard #7 requirements for construction, materials & cleanability.

Excel FWG
Low / Medium Temperature

REFRIGERATION DATA**§

Note: This data is based on store temperature and humidity that does not exceed 75°F and 55% R.H.

	MED	FF	IC
Discharge Air (°F)	+24	-12	-22
Avg Evaporator (°F)	+19	-20	-30
Unit Sizing (°F)	+17	-23	-33

<i>Btulhr/ft</i>	MED	FF	IC
PARALLEL			
4 ft/8 ft	413	598	643
6 ft/12 ft	422	607	652
CONVENTIONAL			
4 ft/8 ft	433	623	673
6 ft/12 ft	442	632	682

*Dual temperature operation kits are not suitable for ice cream temperature applications.

§ Average evaporator temperature shown. Use dew point for high glide refrigerants for unit sizing. Care should be taken to use the dew point in PT tables for measuring and adjusting superheat. Adjust evaporator pressure as needed to maintain discharge air temperature shown.

DEFROST DATA

	MED	FF	IC
Frequency (hr)	24	24	24
Defrost Water (lb/ft/day)	2.2	2.1	1.8

(± 15% based on case configuration and product loading).

<i>ELECTRIC</i>	MED	FF	IC
Temp Term (°F)	48	48	48
Failsafe (minutes)	60	60	60

<i>GAS</i>	MED	FF	IC
Duration (minutes)	NA	15	18

OFFTIME Not Recommended

Standard Defrost Thermostat

Close on rise: close 48°F — open 33°F

CONVENTIONAL CONTROLS

Low Pressure Backup Control — CI/CO **

MED	+22°F / +10°F
FF	-17°F / -29°F
IC	-27°F / -39°F

Indoor Unit Only, Pressure Defrost Termination*

Not Recommended

***Use a Temperature Pressure Chart to determine PSIG conversions.

Electrical Data

			4 ft	6 ft	8 ft	12 ft				
Number of Fans – 4W Evaporator			2	2	4	4				
			Amperes				Watts			
			4 ft	6 ft	8 ft	12 ft	4 ft	6ft	8 ft	12 ft
Evaporator Fans										
120V	50/60Hz	Standard Energy Efficient	0.24	0.24	0.48	0.48	16	16	32	32
230V	50/60Hz	Standard Energy Efficient	0.12	0.12	0.24	0.24	16	16	32	32
230V	60Hz	Export	0.30	0.30	0.60	0.60	48	48	96	96
230V	50Hz	Export	0.36	0.36	0.72	0.72	54	54	108	108
Anti-sweat Heaters (on fan circuit)										
120V	50/60Hz	Standard	0.87	1.30	1.74	2.60	104	156	208	312
230V	50/60Hz	Export	0.45	0.68	0.90	1.36	104	156	208	312
Minimum Circuit Ampacity										
120V	50/60Hz	Standard Energy Efficient	1.31	1.74	2.42	3.28				
230V	50/60Hz	Standard Energy Efficient	0.77	1.00	1.34	1.80				
230V	60Hz	Export	0.95	1.18	1.70	2.16				
230V	50Hz	Export	1.01	1.24	1.82	2.28				
Maximum Over Current Protection 120V			20	20	20	20				
Maximum Over Current Protection 230V			15	15	15	15				
Return Glass Anti-sweat Heaters										
120V	50/60Hz	Standard	0.08	0.13	0.16	0.22	10	15	18	26
230V	50/60Hz	Export	0.04	0.07	0.08	0.12	10	15	18	26
208V Electric Defrost			8.75	13.07	15.38	23.07	1820	2720	3200	4800
230V Export Electric Defrost			7.91	11.83	13.91	20.87	1820	2720	3200	4800
120V Koolgas Defrost			2.50	2.67	3.33	6.66	300	320	400	800
208V Koolgas Defrost			1.06	1.54	1.92	3.84	220	320	400	800
230V Koolgas Defrost			1.17	1.70	2.12	4.25	270	400	488	977
Standard Lighting										
None										

Product Data

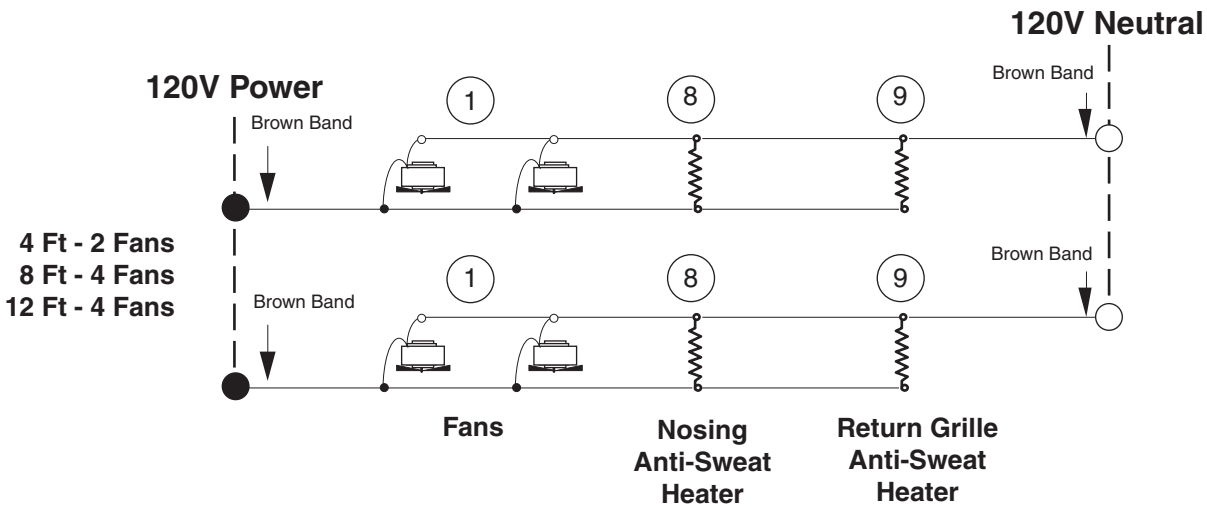
<i>Recommended Usable Cube</i> ¹ (Cu Ft/Ft)	7.28 ft ³ /ft (0.68 m ³ /m)
<i>AHRI Total Display Area</i> ² (Sq Ft/Ft)	5.98 ft ² /ft (1.82 m ² /m)
<i>Shelf Area</i> ³ (Sq Ft/Ft)	5.50 ft ² /ft (1.68 m ² /m)

- ¹ AHRI Refrigerated Volume less shelving and other unusable space: Refrigerated Volume/Unit of Length, ft³/ft [m³/m]
- ² Computed using AHRI 1200 standard methodology: Total Display Area, ft² [m²]/Unit of Length, ft [m]
- ³ Shelf surface area is composed of bottom deck plus standard shelf complement, as shown in the Hussmann *Product Reference Guide*. The standard shelf complement for this model is NONE.

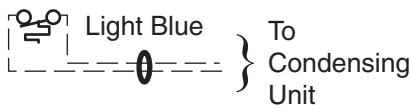
ESTIMATED SHIPPING WEIGHT ⁵					
Case	4 ft	6 ft	8 ft	12 ft	Solid End (each)
lb (kg)	1000 (454)	1200 (544)	1400 (635)	1600 (726)	75 (34)

⁵ Actual weights will vary according to optional kits included.

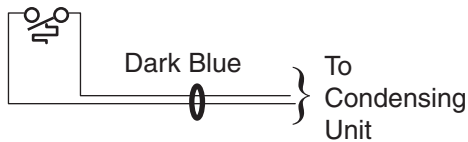
Electric Defrost – Standard



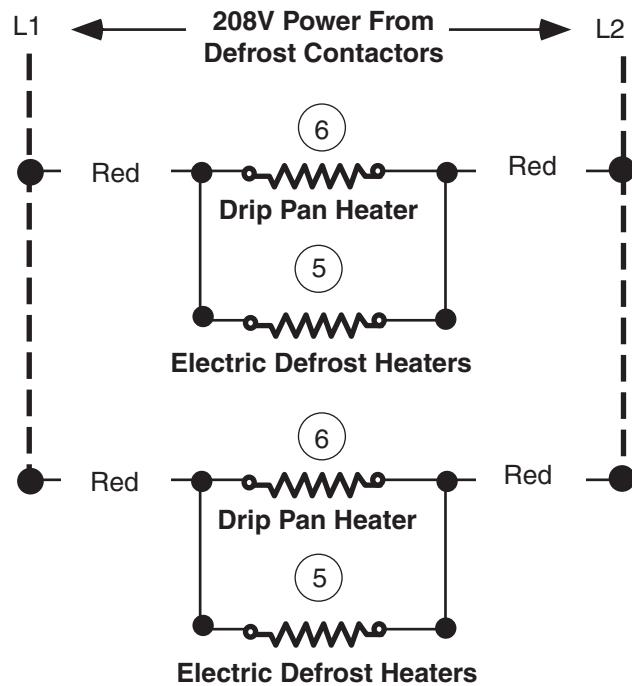
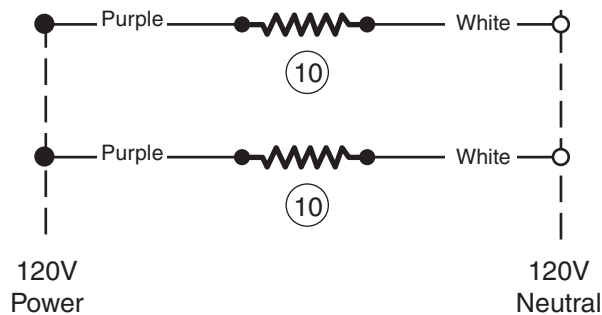
2 Refrigeration Thermostat (Optional)



3 Defrost Termination Thermostat



Return Class Anti-Sweat Heater



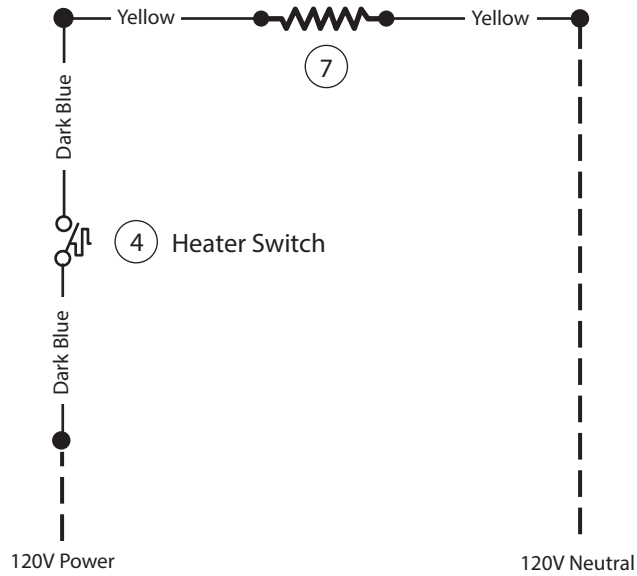
WARNING

All components must have mechanical ground, and the merchandiser must be grounded.

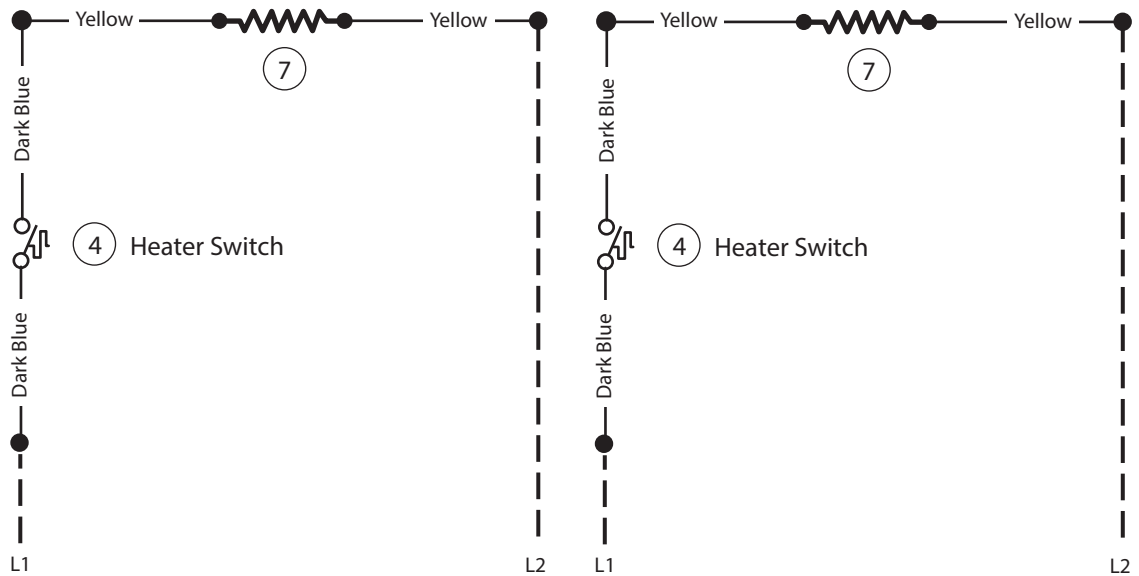
Circled Number = Parts List Item Numbers

Gas Defrost – Optional

120V Drip Pan Heater — Koolgas Only



208V/230V Drip Pan Heater — Koolgas Only



WARNING

All components must have mechanical ground, and the merchandiser must be grounded.

Circled Number = Parts List Item Numbers