

We reserve the right to change or revise specifications and product design in connection with any feature of our products. Such changes do not entitle the buyer to corresponding changes, improvements, additions or replacements for equipment previously sold or shipped.

Item	Part #	Description	Wiring Item #	Item	Part #	Description	Wiring Item #
FAN ASSEMBLIES, AND THERMOSTATS				HEATERS			
A.	4W	Standard Energy Efficient Fan Assembly	(1)	E.	208V	Evaporator Defrost Heaters	(5)
	0477653	Fan Motor, Evaporator (MO.4410544)			3016522	End case (HE.4850620)	
	0464847	Fan Blade (FB.4780649)		F.	208V	Drip Pan Defrost Heaters, Electric	(6)
B.		Optional Adjustable Refrigeration Thermostat	(2)			120V Drip Pan Defrost Heaters, Koolgas	(7)
C.	0398557	Defrost Termination Thermostat (Electric Defrost only) (CT.4440611)	(3)		0465906	End case (HE.4850628)	
D.	0481370	Heater Switch (Koolgas Defrost only) (CT.4440738)	(4)	G.	Nosing	Anti-sweat Heaters	(8)
					0495006	End case (HE.4850684)	
				H.	Return Grille	Anti-sweat Heaters	(9)
					0495010	End case (HE.4850688)	
				I.	Return Glass	Anti-sweat Heaters	(10)
					0474775	End case, Front (GL.4977903)	
					0474776	End case, Left Side (GL.4978388)	
					0474777	End case, Right Side (GL.4977997)	

Data sheet-Excel FWEG

Note: Revision J: Added high glide refrigerant note. Other changes marked by bar, underline or circle.

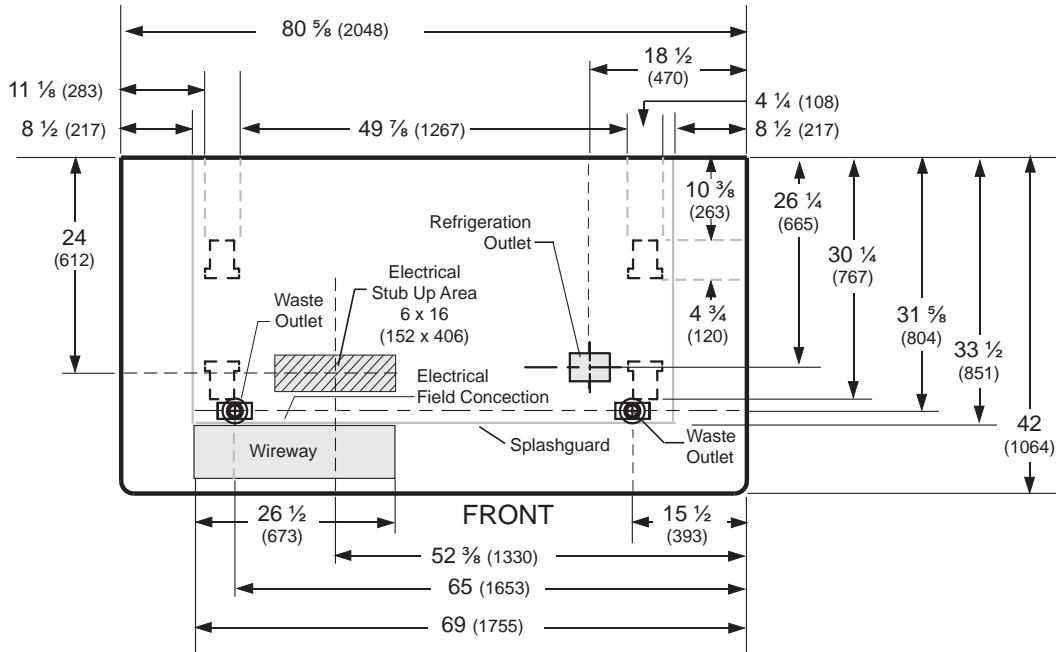
Engineering Plan Views

PHYSICAL DATA	
Merchandiser Drip Pipe (in.)	1 1/4
Merchandiser Liquid Line (in.)	3/8
Merchandiser Suction Line (in.)	5/8

Low / Medium Temperature Wide Island End Case

Dimensions shown as inches & (mm).

10-2004



	End Case
General	
Case Length — Outside	80 5/8 (2048)
Inside Length	73 5/8 (1870)
Maximum O/S dimension of case back to front <i>(includes bumper)</i>	42 (1064)
Back of case to front of splashguard	33 1/2 (851)
Back of case to O/S edge of front leg	30 1/4 (767)
Distance between edges of external legs and center legs	48 1/2 (1234)
Distance between edges of center legs	NA
Distance between front legs and splashguard	3 1/8 (82)
Electrical Service <input checked="" type="checkbox"/> <i>(Electrical Field Wiring connection point)</i>	
RH End of case to center of stub up area	52 3/8 (1653)
Back of case to center of stub up area	24 (612)
Length of electrical wireway <input type="checkbox"/> Wireway	26 1/2 (673)
RH End of case to LH end of wireway	69 (1755)
Waste Outlets <i>(One each end)</i> <input checked="" type="checkbox"/>	
RH End of case to the center of LH waste outlet	65 (1653)
RH End of case to the center of RH waste outlet	15 1/2 (393)
Back O/S of case to center of waste outlets	31 5/8 (804)
Schedule 40 PVC drip pipe	1 1/4 (32)
Refrigeration Outlet <input checked="" type="checkbox"/>	
Back of case to center of refrigeration outlet	26 1/4 (665)
RH end of case to center of refrigeration outlet	18 1/2 (470)

Single Level End Display with Glass Front



Hussmann refrigerated merchandisers configured for sale for use in the United States meet or surpass the requirements of the DOE 2017 energy efficiency standards.

Excel FWEG
Low / Medium Temperature

REFRIGERATION DATA**§

Note: This data is based on store temperature and humidity that does not exceed 75°F and 55% R.H.

	MED	FF	IC
Discharge Air (°F)	+24	-12	-22
Evaporator (°F)	+19	-20	-30
Unit Sizing (°F)	+17	-23	-33

<i>Btu/hr/case</i>	MED	FF	IC
Parallel	1555	2505	2675
Conventional	1625	2615	2795

*Dual temperature operation kits are not suitable for ice cream temperature applications.

§ Average evaporator temperature shown. Use dew point for high glide refrigerants for unit sizing. Care should be taken to use the dew point in PT tables for measuring and adjusting superheat. Adjust evaporator pressure as needed to maintain discharge air temperature shown.

DEFROST DATA

	MED	FF	IC
Frequency (hr)	24	24	24
Defrost Water (lb/case/day)	6.6	6.3	5.4

(± 15% based on case configuration and product loading).

<i>ELECTRIC</i>	MED	FF	IC
Temp Term (°F)	48	48	48
Failsafe (minutes)	60	60	60

<i>GAS</i>	MED	FF	IC
Duration (minutes)	NA	15	18

OFFTIME Not Recommended

Standard Defrost Thermostat

Close on rise: close 48°F — open 33°F

CONVENTIONAL CONTROLS

Low Pressure Backup Control — CI/CO **

MED	+22°F / +10°F
FF	-17°F / -29°F
IC	-27°F / -39°F

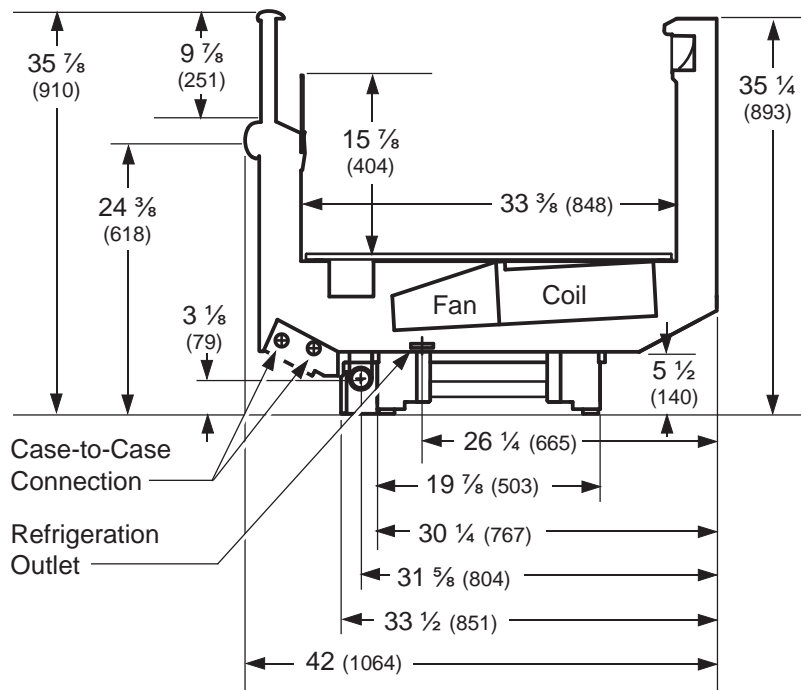
Indoor Unit Only, Pressure Defrost Termination*

Not Recommended

**Use a Temperature Pressure Chart to determine PSIG conversions.

FWEG

Dimensions shown as inches & (mm).



Estimated Charge ***

End	1.5 lb	24 oz	0.7 kg
-----	--------	-------	--------

***This is an average for all refrigerant types. Actual refrigerant charge may vary by approximately half a pound (8 oz/0.2 kg).

Length Added to Lineup: 42 (1064)

This End Case is used in place of an End Assembly. Partitions do not apply.

NSF Certification

This merchandiser model is manufactured to meet NSF/ANSI (National Sanitation Foundation) Standard #7 requirements for construction, materials & cleanability.

Excel FWEG Low / Medium Temperature
--

Electrical Data

	Standard End		Optional Equipment	
	Amperes End	Watts End	Amperes End	Watts End
Number of Fans – 4W Evaporator	1			
Evaporator Fans				
120V 50/60Hz Standard Energy Efficient	0.12	8		
230V 50/60Hz Standard Energy Efficient	0.06	8		
230V 60Hz Export	0.15	24		
230V 50Hz Export	0.18	27		
Anti-sweat Heaters (on fan circuit)				
120V 50/60Hz Standard	0.65	78		
230V 50/60Hz Export	0.34	78		
Joining Kit Anti-sweat Heaters				
120V 50/60Hz Standard			0.40	48
230V 50/60Hz Export			0.21	48
Minimum Circuit Ampacity				
120V 50/60Hz Standard Energy Efficient	0.97		1.37	
230V 50/60Hz Standard Energy Efficient	0.60		0.81	
230V 60Hz Export	0.69		0.90	
230V 50Hz Export	0.72		0.93	
Maximum Over Current Protection 120V	20		20	
Maximum Over Current Protection 230V	15		15	
Return Glass Anti-sweat Heaters				
120V 50/60Hz Standard	0.13	16		
230V 50/60Hz Export	0.07	16		
208V Electric Defrost	6.54	1360		
230V Export Electric Defrost	5.91	1360		
120V Koolgas Defrost	1.33	160		
208V Koolgas Defrost	0.77	160		
230V Koolgas Defrost	0.85	196		
Standard Lighting				
None				

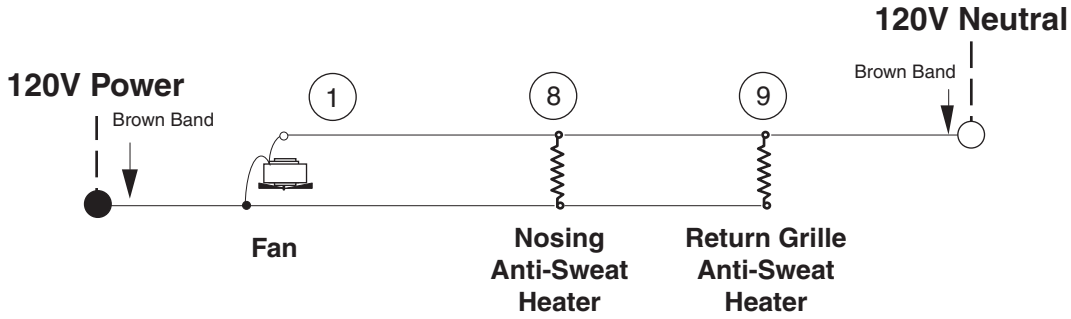
Product Data

<i>Recommended Usable Cube</i> ¹ (Cu Ft/Ft)	3.69 ft ³ /ft (0.34 m ³ /m)
<i>AHRI Total Display Area</i> ² (Sq Ft/Ft)	3.34 ft ² /ft (1.02 m ² /m)
<i>Shelf Area</i> ³ (Sq Ft/Ft)	2.79 ft ² /ft (0.85 m ² /m)

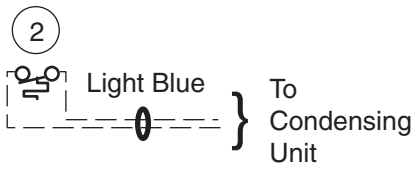
- ¹ AHRI Refrigerated Volume less shelving and other unusable space: Refrigerated Volume/Unit of Length, ft³/ft [m³/m]
- ² Computed using AHRI 1200 standard methodology: Total Display Area, ft² [m²]/Unit of Length, ft [m]
- ³ Shelf surface area is composed of bottom deck plus standard shelf complement, as shown in the Hussmann *Product Reference Guide*. The standard shelf complement for this model is NONE.

ESTIMATED SHIPPING WEIGHT ⁴						
Case						End
lb (kg)	NA (NA)	NA (NA)	NA (NA)	NA (NA)	NA (NA)	500 (227)
⁴ Actual weights will vary according to optional kits included.						

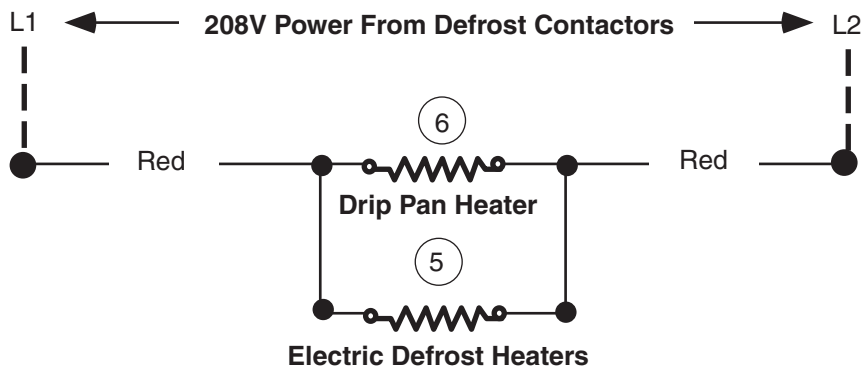
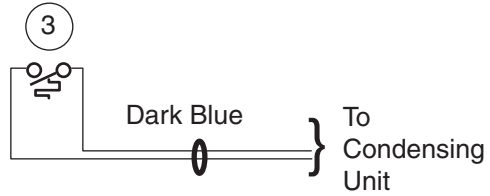
Electric Defrost – Standard



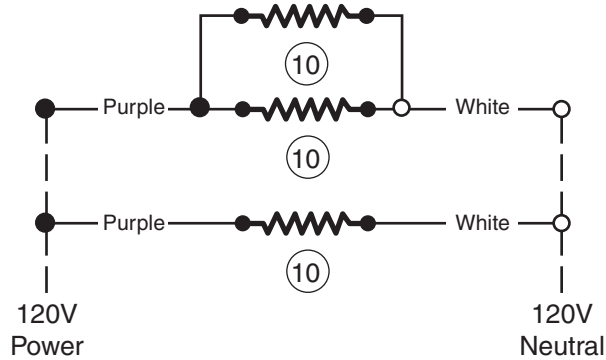
Refrigeration Thermostat (Optional)



Defrost Termination Thermostat



Return Class Anti-Sweat Heater



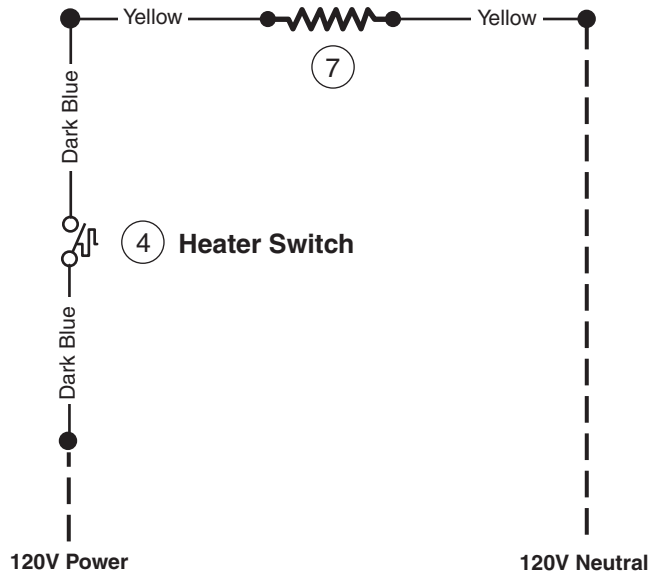
WARNING

All components must have mechanical ground, and the merchandiser must be grounded.

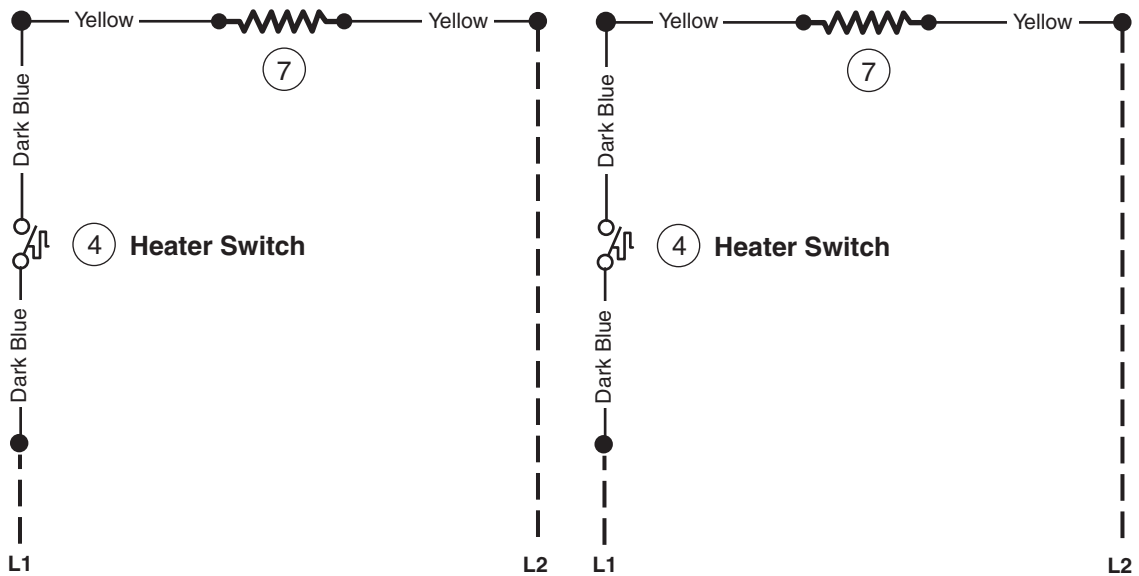
Circled Number = Parts List Item Numbers

Gas Defrost – Optional

120V Drip Pan Heater — Koolgas Only



208V/230V Drip Pan Heater — Koolgas Only



WARNING

All components must have mechanical ground, and the merchandiser must be grounded.

Circled Number = Parts List Item Numbers