

We reserve the right to change or revise specifications and product design in connection with any feature of our products. Such changes do not entitle the buyer to corresponding changes, improvements, additions or replacements for equipment previously sold or shipped.

Item	Part #	Description	Wiring Item #	Item	Part #	Description	Wiring Item #
FAN ASSEMBLIES				HEATERS			
8 Ft & 12 Ft				D.		Canopy Anti-Sweat Heater	(4)
A.	7W Standard	Fan Assembly	(1)		<u>0512500</u>	6 ft (HE.4851175)	
	0058698	Fan Motor, Evaporator (MO.4410102)			<u>0512501</u>	8 ft (HE.4851176)	
	0142780	Fan Blade (FB.0142780)			<u>0512503</u>	12 ft (HE.4851178)	
	7W Energy Efficient	Fan Assembly	(1)	LAMPS AND BALLASTS			
	0477654	Fan Motor, Evaporator (MO.4410545)		E.		Ballast, Electronic	(5)
	0142780	Fan Blade (FB.0142780)			0480130	2 lamps (BA.4481676)	
6 Ft Only					0480131	3 lamps (BA.4481654)	
A.	4W Standard	Fan Assembly	(1)		0480132	4 lamps (BA.4481677)	
	0392457	Fan Motor, Evaporator (MO.4410101)		F.		Fluorescent Lamp	(6)
	0382383	Fan Blade (FB.4780617)				<i>Replace with like fixtures</i>	
	4W Energy Efficient	Fan Assembly	(1)	LED FIXTURES AND POWER SUPPLY			
	0477653	Fan Motor, Evaporator (MO.4410544)		G.	0501213	Power Supply (EP.4481861)	(7)
	0382383	Fan Blade (FB.4780617)		H.		LED Canopy Fixture	(8)
THERMOSTATS						<i>Replace with like fixtures — See Page 5.</i>	
B.	0411744	Standard Non-adjustable Defrost Thermostat (CT.0411744)	(2)	I.		LED Shelf Fixture	(9)
C.		Optional Adjustable Refrigeration Thermostat	(3)			<i>Replace with like fixtures — See Page 5.</i>	

Note: Rev. H adds Btu note (page 3), EcoShine LED (page 4) and parts (page 5), and revises canopy wiring diagram (page 6). Other changes marked by bar, underline or circle.



Engineering Plan Views

PHYSICAL DATA

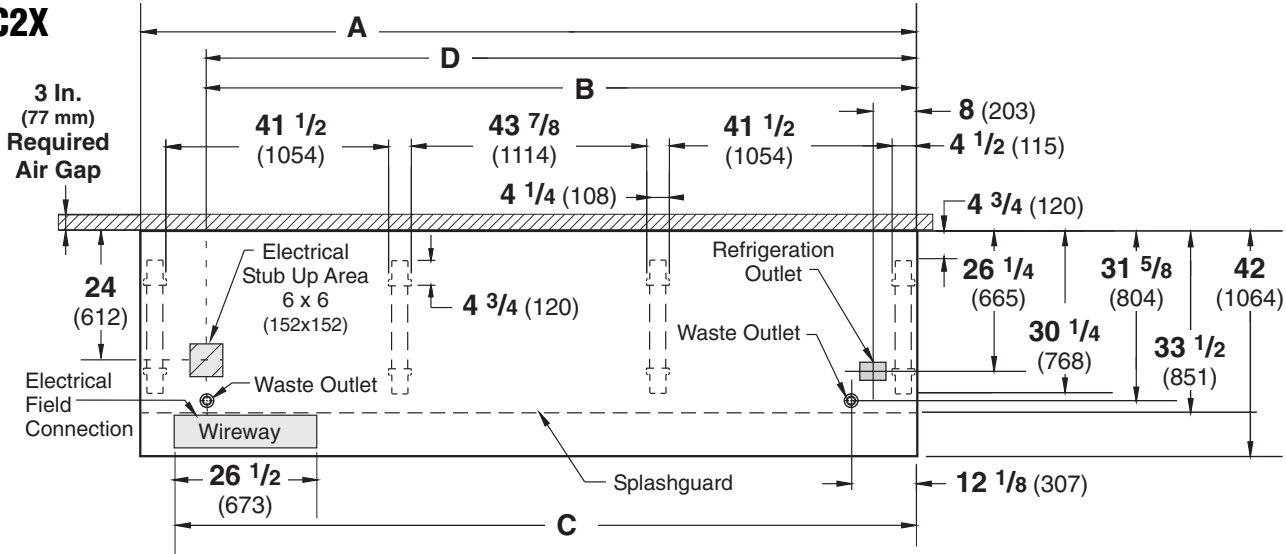
Merchandiser Drip Pipe (in.)	1 1/4
Merchandiser Liquid Line (in.)	3/8
Merchandiser Suction Line (in.)	7/8

Dairy/Delicatessen Precut & Packaged Produce

01-2005





Dimensions shown as inches and (mm).

C2X



NOTE: Case-to-Case Electrical Connections are made IN FRONT OF SPLASHGUARD.

FRONT

	6 ft	8 ft	12 ft
General			
(A) Case Length (without ends or partitions) (Each end and insulated partition adds 1 1/2 in. (38 mm) to case line up.) Maximum O/S dimension of case back to front (includes bumper)	72 3/8 (1838)	96 3/8 (2448)	144 1/2 (3670)
Back of case to front of splashguard	42 (1064)	42 (1064)	42 (1064)
Back of case to O/S edge of front leg	33 1/2 (851)	33 1/2 (851)	33 1/2 (851)
Distance between edges of external legs and center legs	30 1/4 (768)	30 1/4 (768)	30 1/4 (768)
Distance between edges of center legs	29 1/2 (750)	41 1/2 (1054)	41 1/2 (1054)
Distance between front legs and splashguard	NA	NA	43 7/8 (1114)
	2 3/4 (70)	2 3/4 (70)	2 3/4 (70)
Electrical Service  (Electrical Field Wiring connection point)			
(B) RH End of case to center of stub up area	60 1/4 (1530)	84 1/4 (2140)	132 3/8 (3363)
Back of case to center of stub up area	24 (612)	24 (612)	24 (612)
Length of electrical wireway 	26 1/2 (673)	26 1/2 (673)	26 1/2 (673)
(C) RH End of case to LH end of wireway	66 1/8 (1680)	90 1/8 (2289)	138 1/4 (3511)
Waste Outlets (One each end) 			
(D) RH End of case to the center of LH waste outlet	60 1/4 (1530)	84 1/4 (2140)	132 3/8 (3363)
RH End of case to the center of RH waste outlet	12 1/8 (307)	12 1/8 (307)	12 1/8 (307)
Back O/S of case to center of waste outlets	31 5/8 (804)	31 5/8 (804)	31 5/8 (804)
Schedule 40 PVC drip pipe	1 1/4 (32)	1 1/4 (32)	1 1/4 (32)
Refrigeration Outlet 			
Back of case to center of refrigeration outlet	26 1/4 (665)	26 1/4 (665)	26 1/4 (665)
RH end of case to center of refrigeration outlet	8 (203)	8 (203)	8 (203)

Impact Excel C2X-LGE
Dairy/Delicatessen
Precut & Packaged Produce

REFRIGERATION DATA

Note: This data is based on store temperature and humidity that does not exceed 75°F and 55% R.H.

	C2X-LGE
Discharge Air °F	27
Evaporator °F	21
Unit Sizing °F	19

Btu/hr/ft ‡ — *Unlit Shelves* ††

C2X-LGE	Parallel	Conventional
UNLIT	955	1050

‡ Optional energy efficient motors reduce the refrigeration load by 21 Btu/hr/ft (4 ft, 6 ft and 8 ft models) and 18 Btu/hr/ft (6 ft models).
 †† Add 10 Btu/hr/ft *per shelf row* for LED fixtures. Add 20 Btu/hr/ft *per shelf row* for fluorescent lamps.

DEFROST DATA

	C2X-LGE
Frequency (hr)	6
Defrost Water (lb/ft/day)	6
(±15% based on case configuration and product loading.)	
OFFTIME	C2X-LGE
Temp Term °F	48°F
Failsafe Minutes	30

ELECTRIC OR GAS Not Recommended

Standard Defrost Thermostat

Close on rise: close 48°F – open 33°F

CONVENTIONAL CONTROLS

Low Pressure Backup Control

	C2X-LGE
CI/CO*	14 / 4°F

Indoor Unit Only, Pressure Defrost

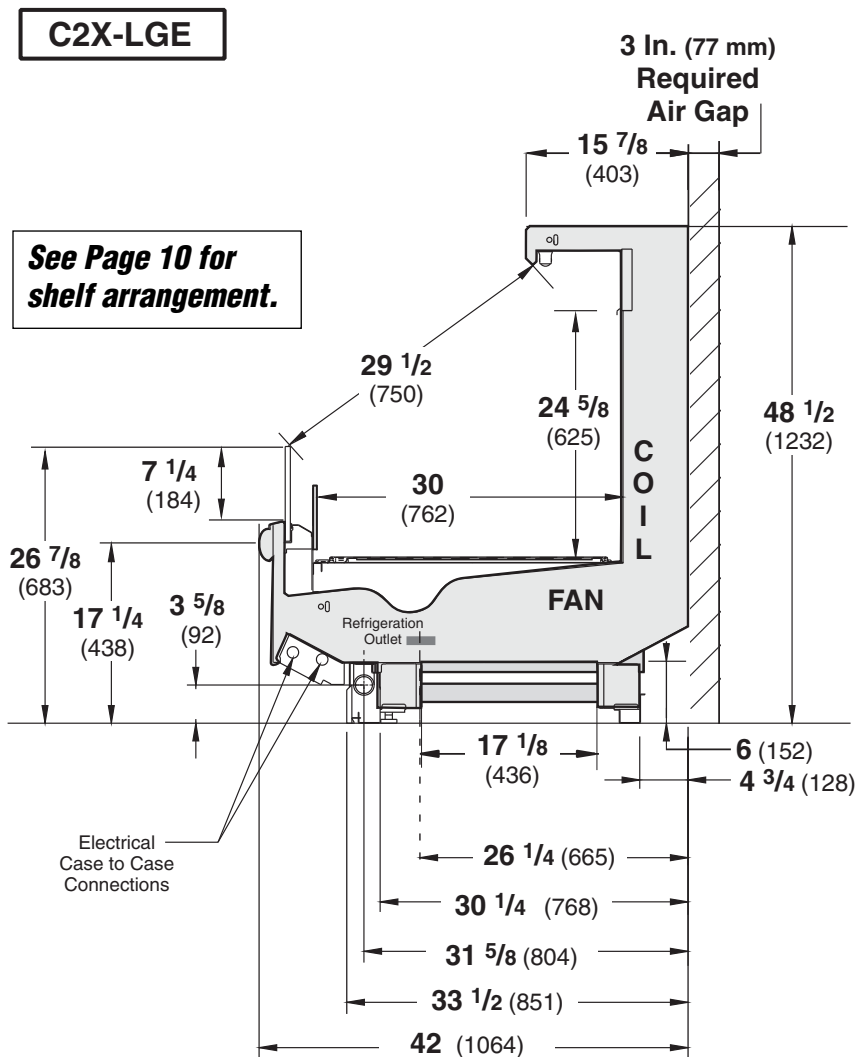
Termination* 48°F

*Use a Temperature Pressure Chart to determine PSIG conversions.

Estimated Charge **	C2X-LGE		
6 ft	1.6	26 oz	0.7 kg
8 ft	2.3	37 oz	1.0 kg
12 ft	3.3	53 oz	1.5 kg

**This is an average for all refrigerant types. Actual refrigerant charge may vary by approximately half a pound.

Dimensions shown as inches and (mm).



NSF Certification

This merchandiser model is manufactured to meet ANSI/NSF (National Sanitation Foundation) Standard #7 requirements for construction, materials & cleanability.

Impact Excel C2X-LGE
Dairy/Delicatessen
Precut & Packaged Produce

Electrical Data

	6 ft	8 ft	12 ft			
Number of Fans—7W	—	2	3			
Number of Fans—4W	2	—	—			
		Amperes			Watts	
	6 ft	8 ft	12 ft	6 ft	8 ft	12 ft
Evaporator Fan						
120V 60Hz Standard	0.62	1.00	1.50	48	78	117
120V 50Hz Standard	0.76	1.10	1.65	54	84	126
230V 60Hz Export	0.30	0.50	0.75	48	78	117
230V 50Hz Export	0.36	0.56	0.84	54	84	126
120V 60Hz Energy Efficient	0.24	0.38	0.57	16	28	42
230V 60Hz Energy Efficient	0.12	0.20	0.30	16	28	42
Minimum Circuit Ampacity †						
120V 60Hz Standard	0.82	1.20	1.70			
120V 50Hz Standard	0.96	1.30	1.85			
230V 60Hz Export	0.50	0.70	0.95			
230V 50Hz Export	0.56	0.76	1.04			
120V 60Hz Energy Efficient	0.44	0.58	0.77			
230V 60Hz Energy Efficient	0.32	0.40	0.50			
Maximum Over Current Protection 120V	20	20	20			
Maximum Over Current Protection 230V	15	15	15			
Anti-sweat Heaters						
120V 50/60Hz Standard	0.15	0.20	0.30	18	24	36
Standard Lighting (T-8 Fluorescent)						
1 Row Canopy	0.51	0.51	0.77	59	59	85
Optional Lighting (T-8 Fluorescent)						
Additional 1 Row Canopy	0.51	0.51	0.77	59	59	85
1 Row Rail Light	NA — Glass front does not accept rail light					
2 Rows of Shelves	1.02	1.02	1.54	118	118	170
Optional EcoShine LED Lighting — CRI						
2 Row Canopy	0.41	0.54	0.83	49	65	98
2 Rows of Shelves	0.29	0.39	0.58	35	47	70
Optional EcoShine LED Lighting — High CRI						
2 Row Canopy	0.47	0.62	0.93	56	74	112
2 Rows of Shelves	0.35	0.47	0.70	42	56	84
Optional Always*Bright LED Lighting						
2 Row Canopy	0.55	0.71	1.08	66	85	130
2 Rows of Shelves	0.34	0.47	0.67	41	56	80

120V Lighting Circuit Total = Standard Lighting + Total Optional Lighting + Optional Shelf Lighting

230V Lighting Circuit Total = Multiply 120V Lighting Circuit Total by 0.52

† MCA does not include Canopy A/S Heaters because heaters are wired separately from fans.

Product Data

Recommended Usable Cube ¹ (Cu Ft/Ft)	3.07 ft ³ /ft (0.29 m ³ /m)
AHRI Total Display Area ² (Sq Ft/Ft)	3.11 ft ² /ft (0.95 m ² /m)
Shelf Area ³ (Sq Ft/Ft)	5.02 ft ² /ft (1.53 m ² /m)

- ¹ AHRI Refrigerated Volume less shelving and other unusable space: Refrigerated Volume/Unit of Length, ft³/ft [m³/m]
² Computed using AHRI 1200 standard methodology: Total Display Area, ft² [m²]/Unit of Length, ft [m]
³ Shelf surface area is composed of bottom deck plus standard shelf complement, as shown in the Hussmann **Product Reference Guide**. The standard shelf complement for this model is (1) row of 12-inch shelf and (1) row of 18-inch shelf.

ESTIMATED SHIPPING WEIGHT ⁴				
Case				Solid End (each)
	<i>6 ft</i>	<i>8 ft</i>	<i>12 ft</i>	
lb (kg)	800 (363)	1000 (454)	1200 (544)	75 (34)

⁴ Actual weights will vary according to optional kits included.

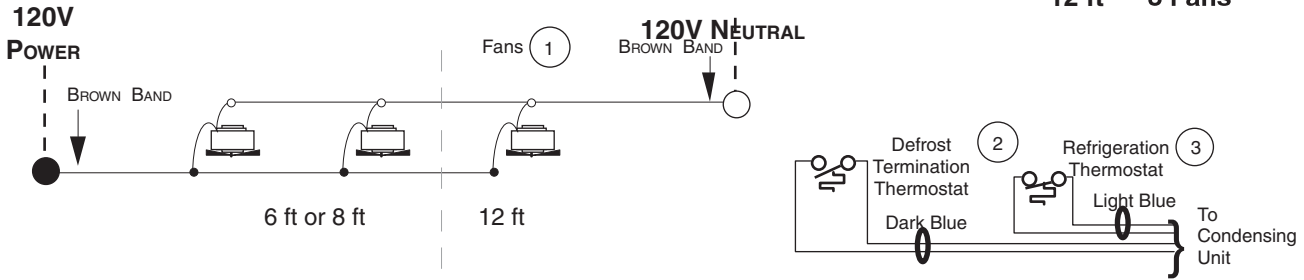
PARTS LIST (Continued from Page 1)					
Item	Part #	Description	Item	Part #	Description
LED FIXTURES AND POWER SUPPLY					
G.	0501213	Power Supply (EP.4481861) (7)	H.	(CONTINUED)	EcoShine LED Canopy Fixture
H.	4441720	Front 48-inch 2900K HCRI		4441713	Rear 36-inch 2900K HCRI
	4441722	Front 48-inch 3500K HCRI		4441715	Rear 36-inch 3500K HCRI
	4441724	Front 48-inch 3500K		4441717	Rear 36-inch 3500K
	4441726	Front 48-inch 4100K		4441719	Rear 36-inch 4100K
	4441721	Rear 48-inch 2900K HCRI	I.		EcoShine LED Shelf Fixture (9)
	4441723	Rear 48-inch 3500K HCRI		4441590	48-inch 2900K HCRI
	4441725	Rear 48-inch 3500K		4441591	48-inch 3500K HCRI
	4441727	Rear 48-inch 4100K		4441592	48-inch 3500K
				4441593	48-inch 4100K
	4441712	Front 36-inch 2900K HCRI		4441586	36-inch 2900K HCRI
	4441714	Front 36-inch 3500K HCRI		4441587	36-inch 3500K HCRI
	4441716	Front 36-inch 3500K		4441588	36-inch 3500K
	4441718	Front 36-inch 4100K		4441589	36-inch 4100K

Note: Always*Bright lamps will be replaced with the latest generation of EcoShine lamps.

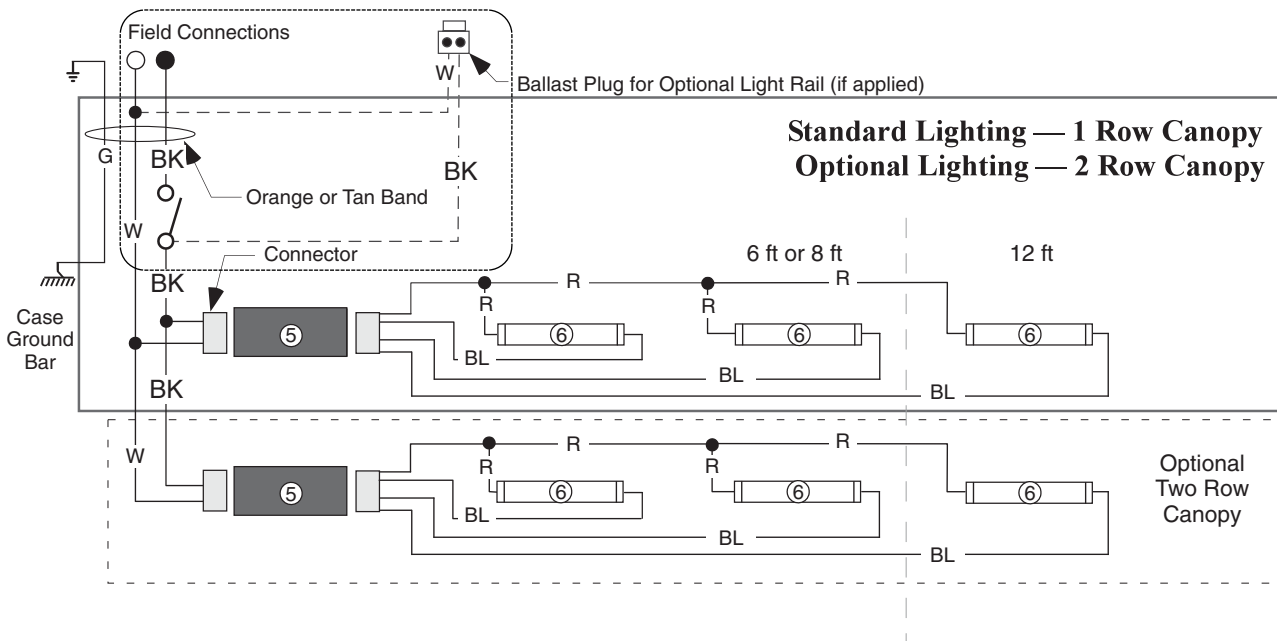
Fan Wiring Offtime Defrost

2 & 3 Fans

- 6 ft — 2 Fans
- 8 ft — 2 Fans
- 12 ft — 3 Fans



Canopy Light Circuits — Fluorescent Fixtures



WARNING

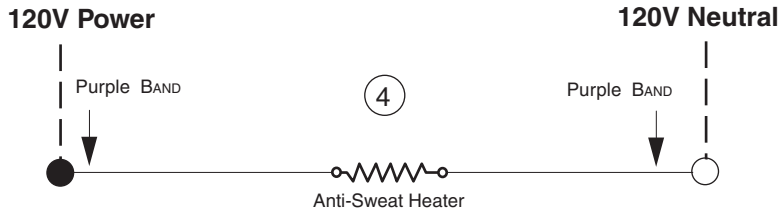
All components must have mechanical ground, and the merchandiser must be grounded.

CIRCLED NUMBERS = PARTS LIST ITEM NUMBERS

R = Red Y = Yellow G = Green BL = Blue BK = Black W = White

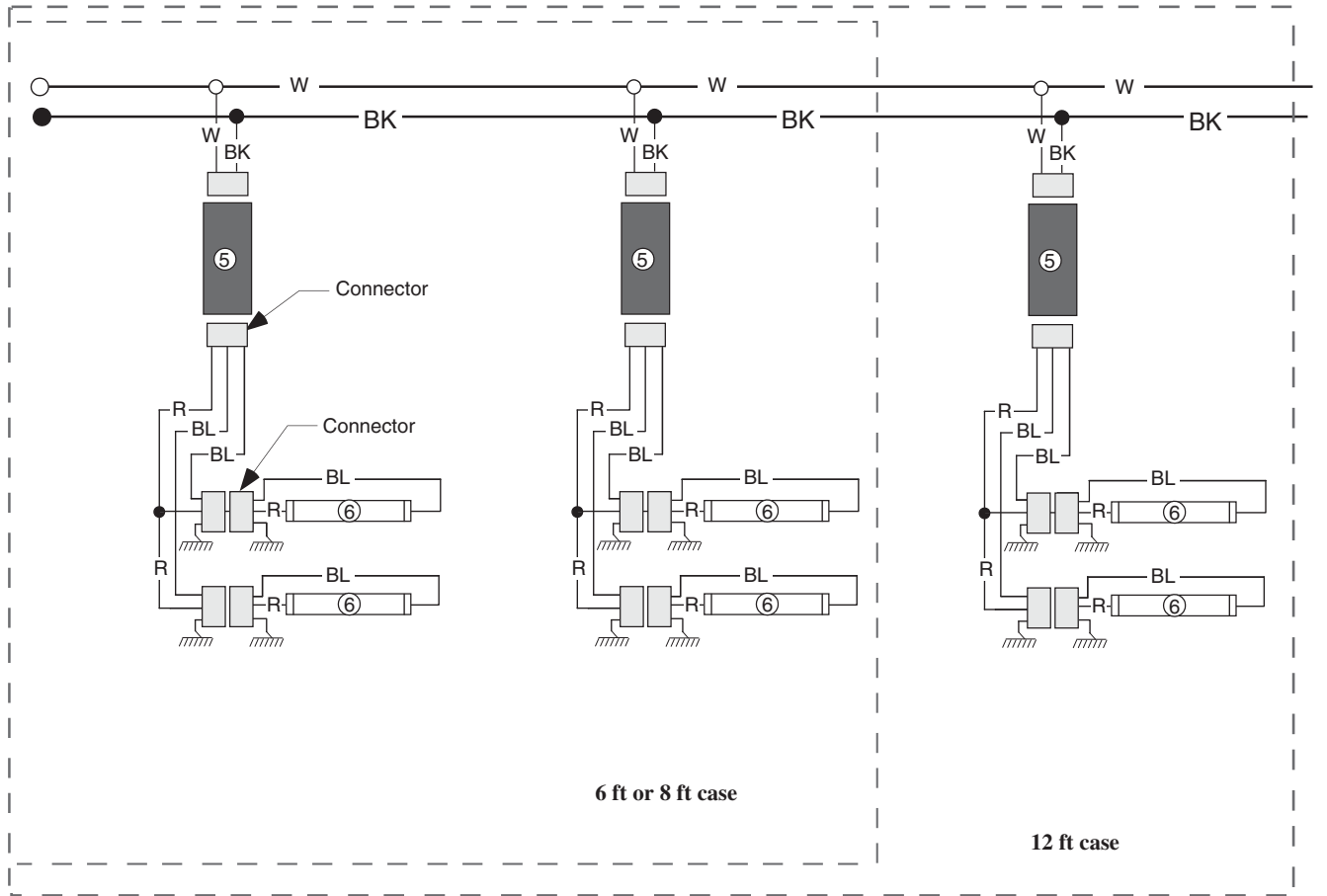
● = 120V POWER ○ = 120V NEUTRAL ⊥ = FIELD GROUND $\overline{\text{mm}}$ = CASE GROUND

Canopy Anti-Sweat Heater



Optional Shelf Lighting Fluorescent Fixtures

Optional Shelf Harness and Fluorescent Light Circuits for Two Rows of Shelves



WARNING

All components must have mechanical ground, and the merchandiser must be grounded.

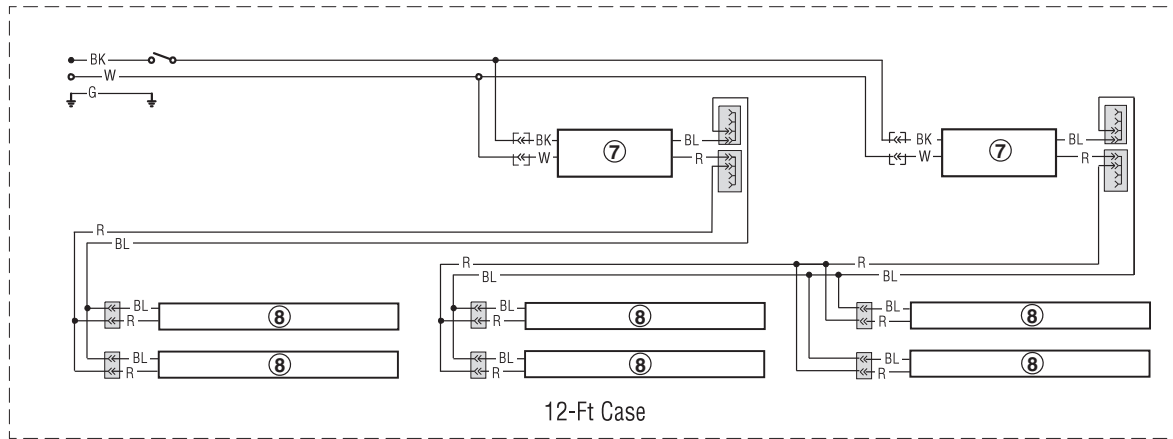
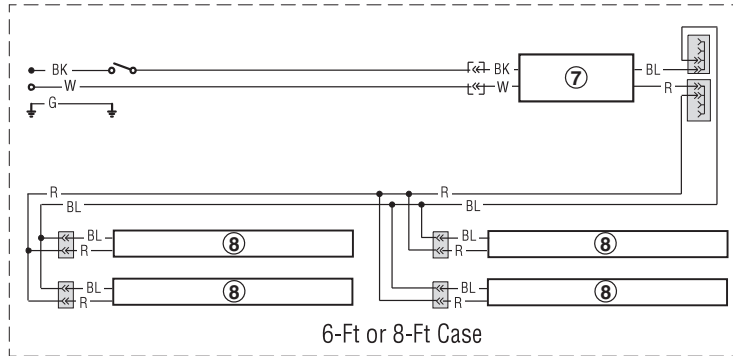
CIRCLED NUMBERS = PARTS LIST ITEM NUMBERS

R = Red Y = Yellow G = Green BL = Blue BK = Black W = White

● = 120V POWER ○ = 120V NEUTRAL ⊥ = FIELD GROUND ▨ = CASE GROUND

Optional Canopy Lighting LED Fixtures

Standard LED Canopy Lighting — 2 Row Canopy



WARNING

All components must have mechanical ground, and the merchandiser must be grounded.

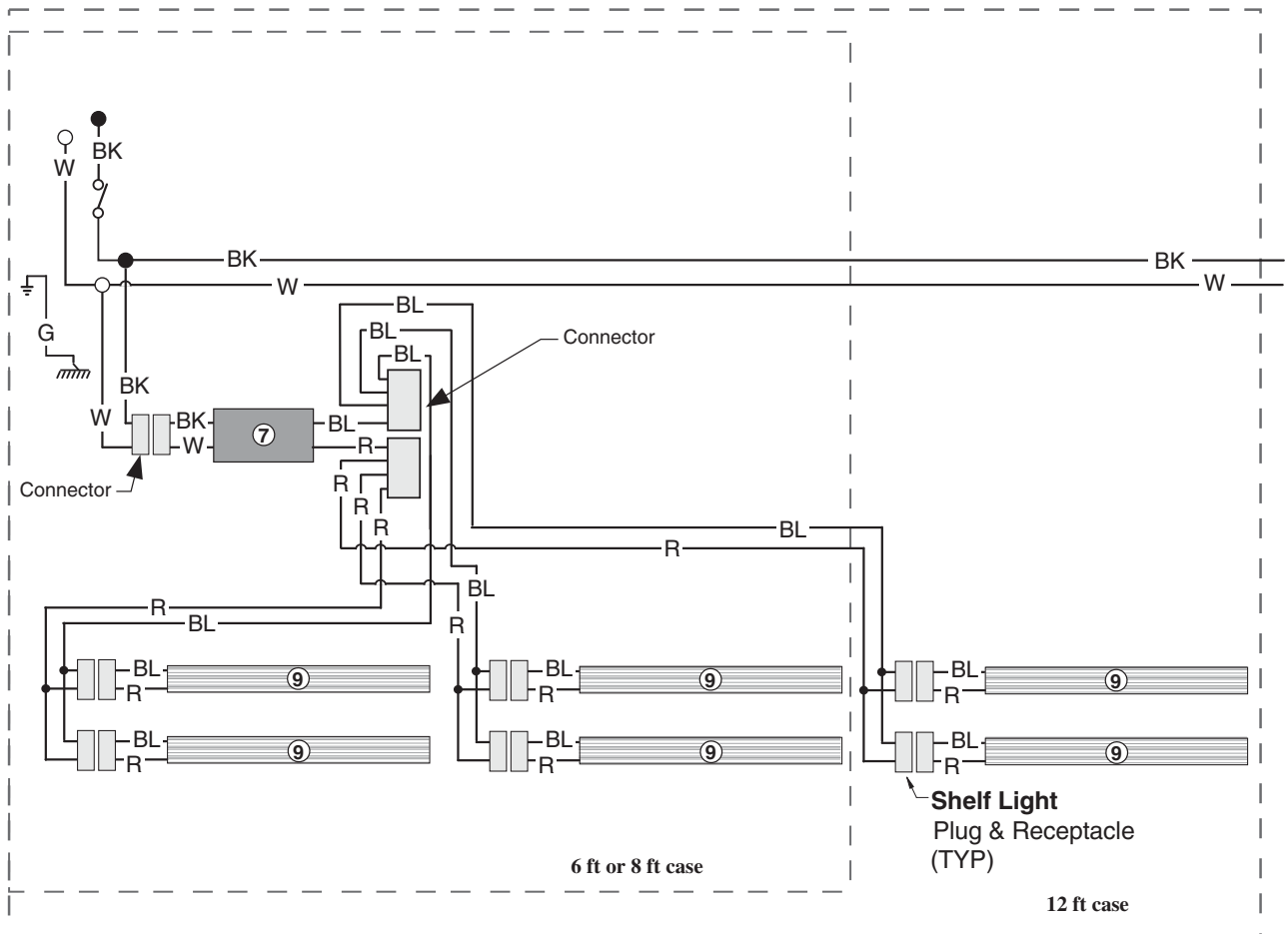
CIRCLED NUMBERS = PARTS LIST ITEM NUMBERS

R = Red Y = Yellow G = Green BL = Blue BK = Black W = White

● = 120V POWER ○ = 120V NEUTRAL ⊥ = FIELD GROUND ≡ = CASE GROUND

Optional Shelf Lighting LED Fixtures

Optional Shelf Harness and LED Light Circuits for Two Rows of Shelves



WARNING

All components must have mechanical ground, and the merchandiser must be grounded.

CIRCLED NUMBERS = PARTS LIST ITEM NUMBERS

R = Red G = Green BL = Blue BK = Black W = White

● = 120V POWER ○ = 120V NEUTRAL ⊥ = FIELD GROUND *mm* = CASE GROUND

Impact Excel C2X-LGE
Dairy/Delicatessen
Precut & Packaged Produce

SHELF CONFIGURATION

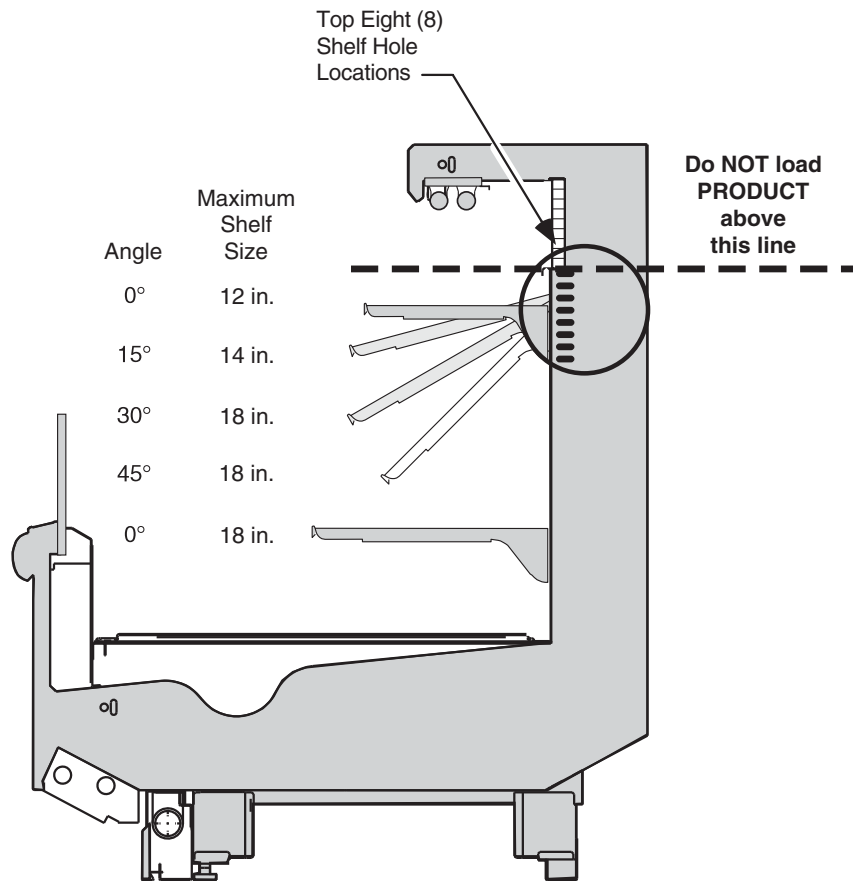
This merchandiser is designed for one or two shelves.

The depth of the shelf used in the top eight (8) shelf hole locations is critical to case performance.

If a shelf is placed in one of the top eight (8) locations it must comply with the angle/depth requirements listed below.

Shelf Angle	Maximum Shelf Depth
0°	12 in.
15°	14 in. or less
30°	18 in. or less
45°	18 in. or less

NOTE: Shelves placed in the lower positions may be up to 18 in. deep when positioned at a 0° angle.



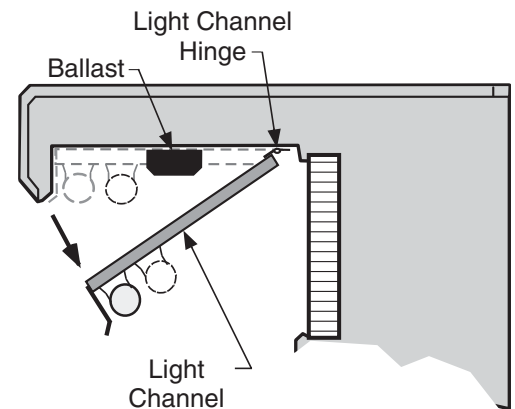
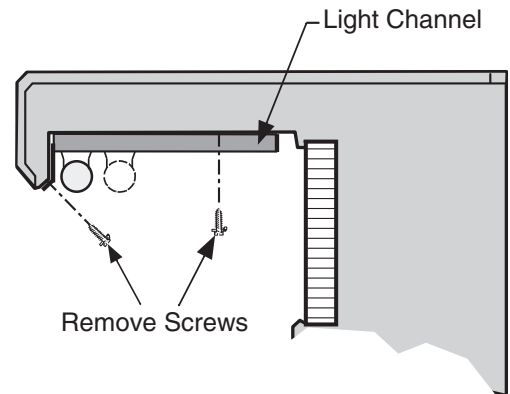
Impact Excel C2X-LGE
Dairy/Delicatessen
Precut & Packaged Produce

The ballast for the canopy and shelf lamps is located behind the canopy on the left-hand end (when facing case) of the merchandiser.

To access the ballast:

1. Remove screws at bottom edge of canopy and rear of light channel.
2. Lower light channel which will pivot on hinge.
3. Service or replace ballasts as required.
4. Reassemble items as they were originally installed.

NOTE: Rail lamp ballast is located in the electrical raceway.



CANOPY ANTI-SWEAT HEATER

The canopy anti-sweat heater location is shown below. Connections are in the electrical wireway.

