

We reserve the right to change or revise specifications and product design in connection with any feature of our products. Such changes do not entitle the buyer to corresponding changes, improvements, additions or replacements for equipment previously sold or shipped.

Item	Part #	Description	Wiring Item #	Item	Part #	Description	Wiring Item #
<b>FAN ASSEMBLIES</b>				<b>HEATERS</b>			
<b>4 Ft, 8 Ft &amp; 12 Ft</b>				<b>C.</b>			
A.	<b>7W Standard</b>	Fan Assembly	(1)		0512499	Canopy Anti-Sweat Heater	(3)
	0058698	Fan Motor, Evaporator (MO.4410102)			0512500	4 ft (HE.4851174)	
	0142780	Fan Blade (FB.0142780)			0512501	6 ft (HE.4851175)	
	<b>7W Energy Efficient</b>	Fan Assembly	(1)		0512503	8 ft (HE.4851176)	
	0477654	Fan Motor, Evaporator (MO.4410545)				12 ft (HE.4851178)	
	0142780	Fan Blade (FB.0142780)		<b>LAMPS AND BALLASTS</b>			
<b>6 Ft Only</b>				<b>D.</b>			
A.	<b>4W Standard</b>	Fan Assembly	(1)		0480130	Ballast, Electronic	(4)
	0392457	Fan Motor, Evaporator (MO.4410101)			0480131	2 lamps (BA.4481676)	
	0382383	Fan Blade (FB.4780617)			0480132	3 lamps (BA.4481654)	
	<b>4W Energy Efficient</b>	Fan Assembly	(1)			4 lamps (BA.4481677)	
	0477653	Fan Motor, Evaporator (MO.4410544)		E.		Fluorescent Lamp	(5)
	0382383	Fan Blade (FB.4780617)				<i>Replace with like fixtures</i>	
<b>THERMOSTATS</b>				<b>LED FIXTURES AND POWER SUPPLY</b>			
B.		Optional Adjustable Refrigeration Thermostat	(2)	F.	0501213	Power Supply (EP.4481861)	(6)
				G.		LED Canopy Fixture	(7)
						<i>Replace with like fixtures — See Page 5.</i>	
				H.		LED Shelf Fixture	(8)
						<i>Replace with like fixtures — See Page 5.</i>	

Note: Rev. L adds Btu note (page 3), EcoShine LED (page 4) and parts (page 5), and revises canopy wiring diagram (page 6). Other changes marked by bar, underline or circle.



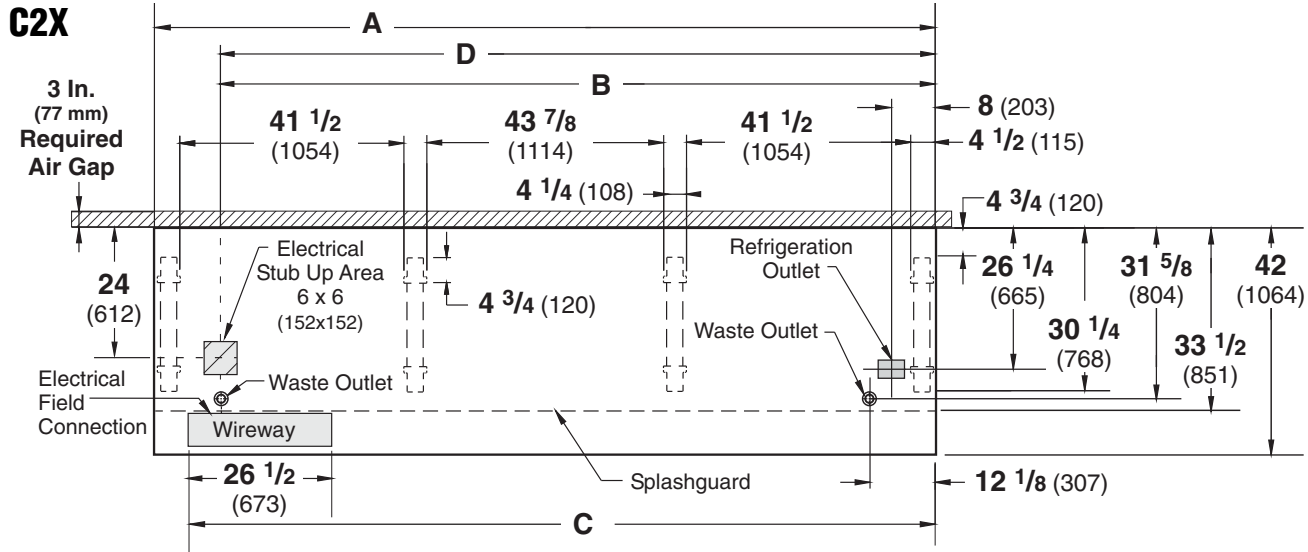
# Engineering Plan Views

## PHYSICAL DATA

Merchandiser Drip Pipe (in.)	1 1/4
Merchandiser Liquid Line (in.)	3/8
Merchandiser Suction Line (in.)	7/8





### Dairy/Delicatessen Precut & Packaged Produce 01-2005

Dimensions shown as inches and (mm).



**NOTE: Case-to-Case Electrical Connections are made IN FRONT OF SPLASHGUARD.**

**FRONT**

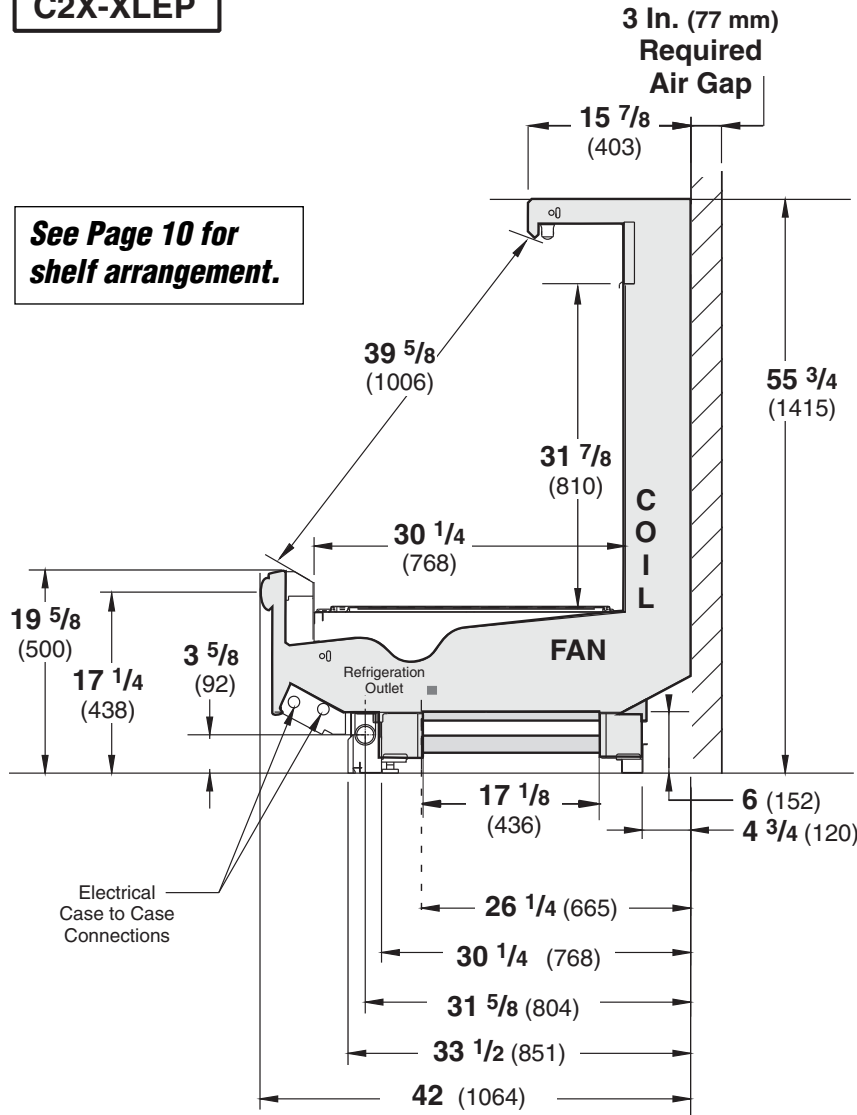
	4 ft	6 ft	8 ft	12 ft
<b>General</b>				
<b>(A)</b> Case Length ( <i>without ends or partitions</i> )	48 3/8 (1229)	72 3/8 (1838)	96 3/8 (2448)	144 1/2 (3670)
<i>(Each end and insulated partition adds 1 1/2 in. (38 mm) to case line up.)</i>				
Maximum O/S dimension of case back to front <i>(includes bumper)</i>	42 (1064)	42 (1064)	42 (1064)	42 (1064)
Back of case to front of splashguard	33 1/2 (851)	33 1/2 (851)	33 1/2 (851)	33 1/2 (851)
Back of case to O/S edge of front leg	30 1/4 (768)	30 1/4 (768)	30 1/4 (768)	30 1/4 (768)
Distance between edges of external legs and center legs	NA	29 1/2 (750)	41 1/2 (1054)	41 1/2 (1054)
Distance between edges of center legs	NA	NA	NA	43 7/8 (1114)
Distance between front legs and splashguard	2 3/4 (70)	2 3/4 (70)	2 3/4 (70)	2 3/4 (70)
<b>Electrical Service</b>  ( <i>Electrical Field Wiring connection point</i> )				
<b>(B)</b> RH End of case to center of stub up area	36 1/4 (921)	60 1/4 (1530)	84 1/4 (2140)	132 3/8 (3363)
Back of case to center of stub up area	24 (612)	24 (612)	24 (612)	24 (612)
Length of electrical wireway 	26 1/2 (673)	26 1/2 (673)	26 1/2 (673)	26 1/2 (673)
<b>(C)</b> RH End of case to LH end of wireway	42 1/8 (1070)	66 1/8 (1680)	90 1/8 (2289)	138 1/4 (3511)
<b>Waste Outlets</b> ( <i>One each end</i> ) 				
<b>(D)</b> RH End of case to the center of LH waste outlet	36 1/4 (921)	60 1/4 (1530)	84 1/4 (2140)	132 3/8 (3363)
RH End of case to the center of RH waste outlet	12 1/8 (307)	12 1/8 (307)	12 1/8 (307)	12 1/8 (307)
Back O/S of case to center of waste outlets	31 5/8 (804)	31 5/8 (804)	31 5/8 (804)	31 5/8 (804)
Schedule 40 PVC drip pipe	1 1/4 (32)	1 1/4 (32)	1 1/4 (32)	1 1/4 (32)
<b>Refrigeration Outlet</b> 				
Back of case to center of refrigeration outlet	26 1/4 (665)	26 1/4 (665)	26 1/4 (665)	26 1/4 (665)
RH end of case to center of refrigeration outlet	8 (203)	8 (203)	8 (203)	8 (203)

Multi-deck, 4 Display Levels, Low Front, 55 In. Back

Dimensions shown as inches and (mm).

**C2X-XLEP**

**See Page 10 for shelf arrangement.**



**Impact Excel C2X-XLEP**  
**Dairy/Delicatessen**  
**Precut & Packaged Produce**

**REFRIGERATION DATA**

**Note:** This data is based on store temperature and humidity that does not exceed 75°F and 55% R.H.

C2X-XLEP Dairy/Deli/Produce	Meat	
	UNLIT	LIT
Discharge Air °F	33	31
Evaporator °F	28	26
Unit Sizing °F	26	24

**Btu/hr/ft<sup>3</sup> — Unlit Shelves ‡‡**

C2X-XLEP Dairy/Deli/Produce	Meat	
PARALLEL	900	945
CONVENTIONAL	960	1010

‡ Optional energy efficient motors reduce the refrigeration load by 21 Btu/hr/ft (4 ft, 8 ft and 12 ft models) and 18 Btu/hr/ft (6 ft models).  
 ‡‡ Add 10 Btu/hr/ft per shelf row for LED fixtures.  
 Add 20 Btu/hr/ft per shelf row for fluorescent lamps.

**DEFROST DATA**

C2X-XLEP	
Frequency (hr)	12
Defrost Water (lb/ft/day)	6

(±15% based on case configuration and product loading.)

C2X-XLEP	
OFFTIME	
Time (minutes)	30

**ELECTRIC OR GAS** Not Recommended

**CONVENTIONAL CONTROLS**

**Low Pressure Backup Control**

C2X-XLEP Dairy/Deli/Produce	Meat	
CI/CO*	19°F / 9°F	16°F / 6°F

**Indoor Unit Only, Pressure Defrost**

**Termination\*** 48°F

\*Use a Temperature Pressure Chart to determine PSIG conversions.

Estimated Charge **	C2X-XLEP	
4 ft	1.6 lb	26 oz 0.7 kg
6 ft	2.3 lb	37 oz 1.0 kg
8 ft	3.2 lb	51 oz 1.5 kg
12 ft	4.5 lb	70 oz 2.0 kg

\*\*This is an average for all refrigerant types. Actual refrigerant charge may vary by approximately half a pound.

**NSF Certification**

This merchandiser model is manufactured to meet ANSI/NSF (National Sanitation Foundation) Standard #7 requirements for construction, materials & cleanability.

**Impact Excel C2X-XLEP**  
**Dairy/Delicatessen**  
**Precut & Packaged Produce**

**Electrical Data**

	4 ft	6 ft	8 ft	12 ft				
Number of Fans—7W	1	—	2	3				
Number of Fans—4W	—	2	—	—				
	Amperes				Watts			
	4 ft	6 ft	8 ft	12 ft	4 ft	6 ft	8 ft	12 ft
<b>Evaporator Fan</b>								
120V 60Hz Standard	0.50	0.62	1.00	1.50	39	48	78	117
120V 50Hz Standard	0.55	0.76	1.10	1.65	42	54	84	126
230V 60Hz Export	0.25	0.30	0.50	0.75	39	48	78	117
230V 50Hz Export	0.28	0.36	0.56	0.84	42	54	84	126
120V 60Hz Energy Efficient	0.19	0.24	0.38	0.57	14	16	28	42
230V 60Hz Energy Efficient	0.10	0.12	0.20	0.30	14	16	28	42
<b>Minimum Circuit Ampacity †</b>								
120V 60Hz Standard	0.70	0.82	1.20	1.70				
120V 50Hz Standard	0.75	0.96	1.30	1.85				
230V 60Hz Export	0.45	0.50	0.70	0.95				
230V 50Hz Export	0.48	0.56	0.76	1.04				
120V 60Hz Energy Efficient	0.39	0.44	0.58	0.77				
230V 60Hz Energy Efficient	0.30	0.32	0.40	0.50				
<b>Maximum Over Current Protection 120V</b>	<b>20</b>	<b>20</b>	<b>20</b>	<b>20</b>				
<b>Maximum Over Current Protection 230V</b>	<b>15</b>	<b>15</b>	<b>15</b>	<b>15</b>				
<b>Anti-sweat Heaters</b>								
120V 50/60Hz Standard	0.10	0.15	0.20	0.30	12	18	24	36
<b>Standard Lighting (T-8 Fluorescent)</b>								
1 Row Canopy	0.26	0.51	0.51	0.77	30	59	59	85
<b>Optional Lighting (T-8 Fluorescent)</b>								
Additional 1 Row Canopy	0.26	0.51	0.51	0.77	30	59	59	85
1 Row Rail Light	0.26	0.51	0.51	0.77	30	59	59	85
3 Rows of Shelves	0.77	1.53	1.53	2.31	59	177	177	255
<b>Optional EcoShine LED Lighting — CRI</b>								
2 Row Canopy	0.28	0.41	0.55	0.82	33	49	66	98
3 Rows of Shelves	0.29	0.44	0.58	0.88	35	53	70	105
<b>Optional EcoShine LED Lighting — High CRI</b>								
2 Row Canopy	0.32	0.47	0.63	0.93	38	56	75	112
3 Rows of Shelves	0.35	0.53	0.70	1.05	42	63	84	126
<b>Optional Always*Bright LED Lighting</b>								
2 Row Canopy	0.38	0.55	0.71	1.08	45	66	85	130
3 Rows of Shelves	0.38	0.53	0.74	1.11	45	63	89	133

120V Lighting Circuit Total = Standard Lighting + Total Optional Lighting + Optional Shelf Lighting

230V Lighting Circuit Total = Multiply 120V Lighting Circuit Total by 0.52

† MCA does not include Canopy A/S Heaters because heaters are wired separately from fans.

**Product Data**

<i>Recommended Usable Cube</i> <sup>1</sup> (Cu Ft/Ft)	3.62 ft <sup>3</sup> /ft (0.34 m <sup>3</sup> /m)
<i>AHRI Total Display Area</i> <sup>2</sup> (Sq Ft/Ft)	3.50 ft <sup>2</sup> /ft (1.07 m <sup>2</sup> /m)
<i>Shelf Area</i> <sup>3</sup> (Sq Ft/Ft)	6.38 ft <sup>2</sup> /ft (1.94 m <sup>2</sup> /m)

- <sup>1</sup> AHRI Refrigerated Volume less shelving and other unusable space: Refrigerated Volume/Unit of Length, ft<sup>3</sup>/ft [m<sup>3</sup>/m]  
<sup>2</sup> Computed using AHRI 1200 standard methodology: Total Display Area, ft<sup>2</sup> [m<sup>2</sup>]/Unit of Length, ft [m]  
<sup>3</sup> Shelf surface area is composed of bottom deck plus standard shelf complement, as shown in the Hussmann *Product Reference Guide*. The standard shelf complement for this model is (1) row of 12-inch shelf, (1) row of 16-inch shelf and (1) row of 18-in shelf.

<b>ESTIMATED SHIPPING WEIGHT <sup>4</sup></b>					
Case					Solid End
	4 ft	6 ft	8 ft	12 ft	(each)
<b>lb (kg)</b>	600 (272)	800 (363)	1000 (454)	1200 (544)	75 (34)

<sup>4</sup> Actual weights will vary according to optional kits included.

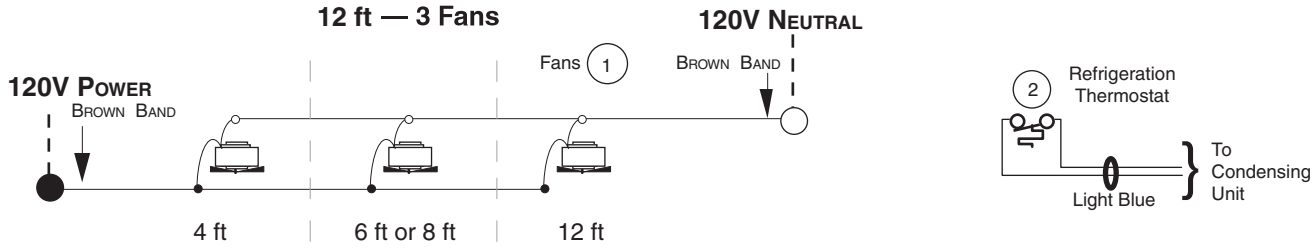
<b>PARTS LIST (Continued from Page 1)</b>					
Item	Part #	Description	Item	Part #	Description
<b>LED FIXTURES AND POWER SUPPLY</b>					
F.	0501213	Power Supply (EP.4481861) (6)	G.	(CONTINUED)	<b>EcoShine LED Canopy Fixture</b>
				4441713	Rear 36-inch <b>2900K</b> HCRI
				4441715	Rear 36-inch <b>3500K</b> HCRI
G.		<b>EcoShine LED Canopy Fixture</b> (7)		4441717	Rear 36-inch <b>3500K</b>
	4441720	Front 48-inch <b>2900K</b> HCRI		4441719	Rear 36-inch <b>4100K</b>
	4441722	Front 48-inch <b>3500K</b> HCRI	H.		<b>EcoShine LED Shelf Fixture</b> (8)
	4441724	Front 48-inch <b>3500K</b>		4441590	48-inch <b>2900K</b> HCRI
	4441726	Front 48-inch <b>4100K</b>		4441591	48-inch <b>3500K</b> HCRI
	4441721	Rear 48-inch <b>2900K</b> HCRI		4441592	48-inch <b>3500K</b>
	4441723	Rear 48-inch <b>3500K</b> HCRI		4441593	48-inch <b>4100K</b>
	4441725	Rear 48-inch <b>3500K</b>		4441586	36-inch <b>2900K</b> HCRI
	4441727	Rear 48-inch <b>4100K</b>		4441587	36-inch <b>3500K</b> HCRI
	4441712	Front 36-inch <b>2900K</b> HCRI		4441588	36-inch <b>3500K</b>
	4441714	Front 36-inch <b>3500K</b> HCRI		4441589	36-inch <b>4100K</b>
	4441716	Front 36-inch <b>3500K</b>			
	4441718	Front 36-inch <b>4100K</b>			

Note: Always\*Bright lamps will be replaced with the latest generation of EcoShine lamps.

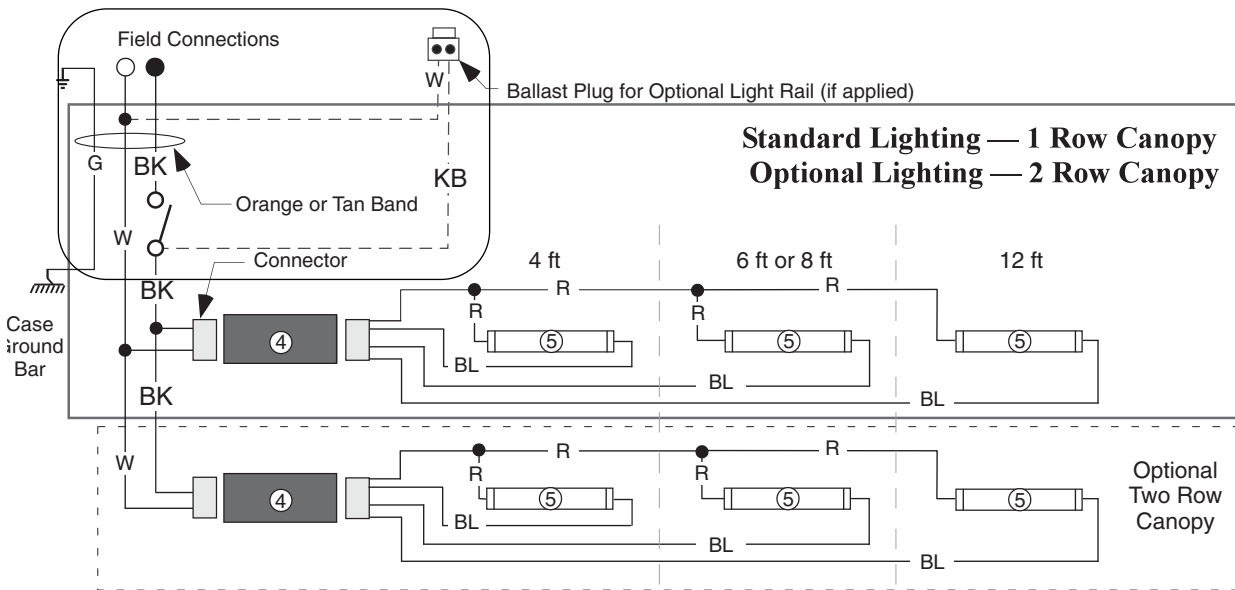
# Fan Wiring Offtime Defrost

1, 2 & 3 Fans

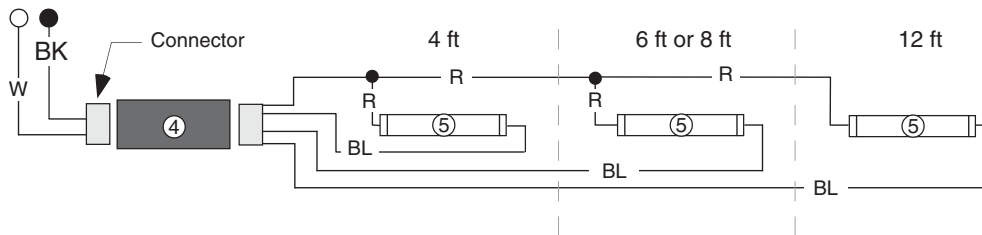
4 ft — 1 Fan  
6 ft — 2 Fans  
8 ft — 2 Fans  
12 ft — 3 Fans



# Light Circuits



## Optional Lighting — 1 Row Rail



## WARNING

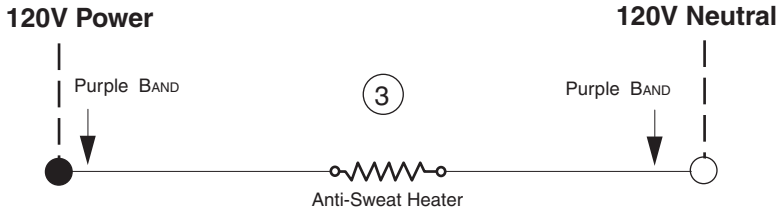
All components must have mechanical ground, and the merchandiser must be grounded.

CIRCLED NUMBERS = PARTS LIST ITEM NUMBERS

R = Red Y = Yellow G = Green BL = Blue BK = Black W = White

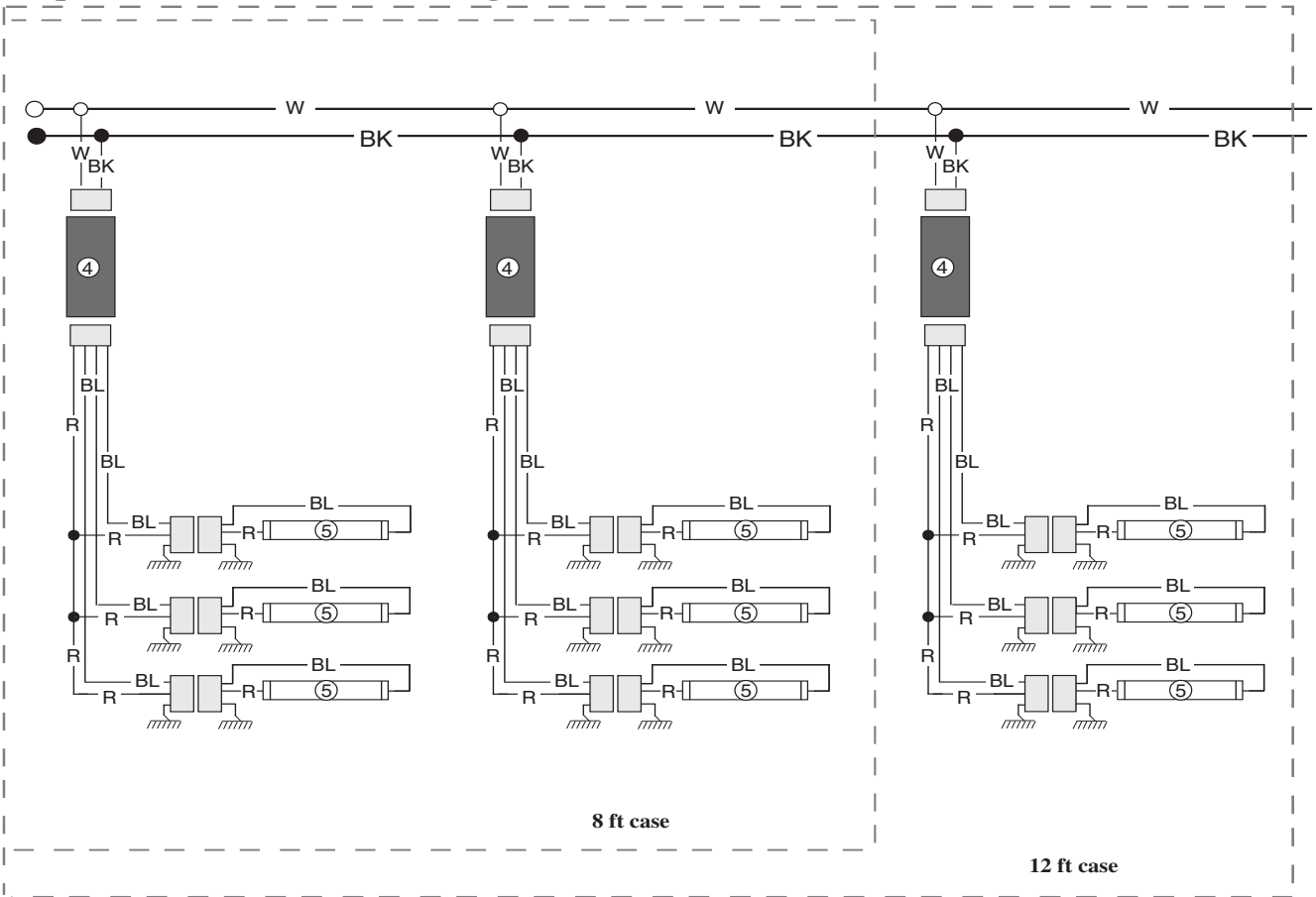
● = 120V POWER ○ = 120V NEUTRAL ⊥ = FIELD GROUND ≡ = CASE GROUND

# Canopy Anti-Sweat Heater



# Optional Shelf Lighting Fluorescent Fixtures

## Optional Shelf Harness and Light Circuits for Three Rows of Shelves



### WARNING

All components must have mechanical ground, and the merchandiser must be grounded.

CIRCLED NUMBERS = PARTS LIST ITEM NUMBERS

R = Red Y = Yellow G = Green BL = Blue BK = Black W = White

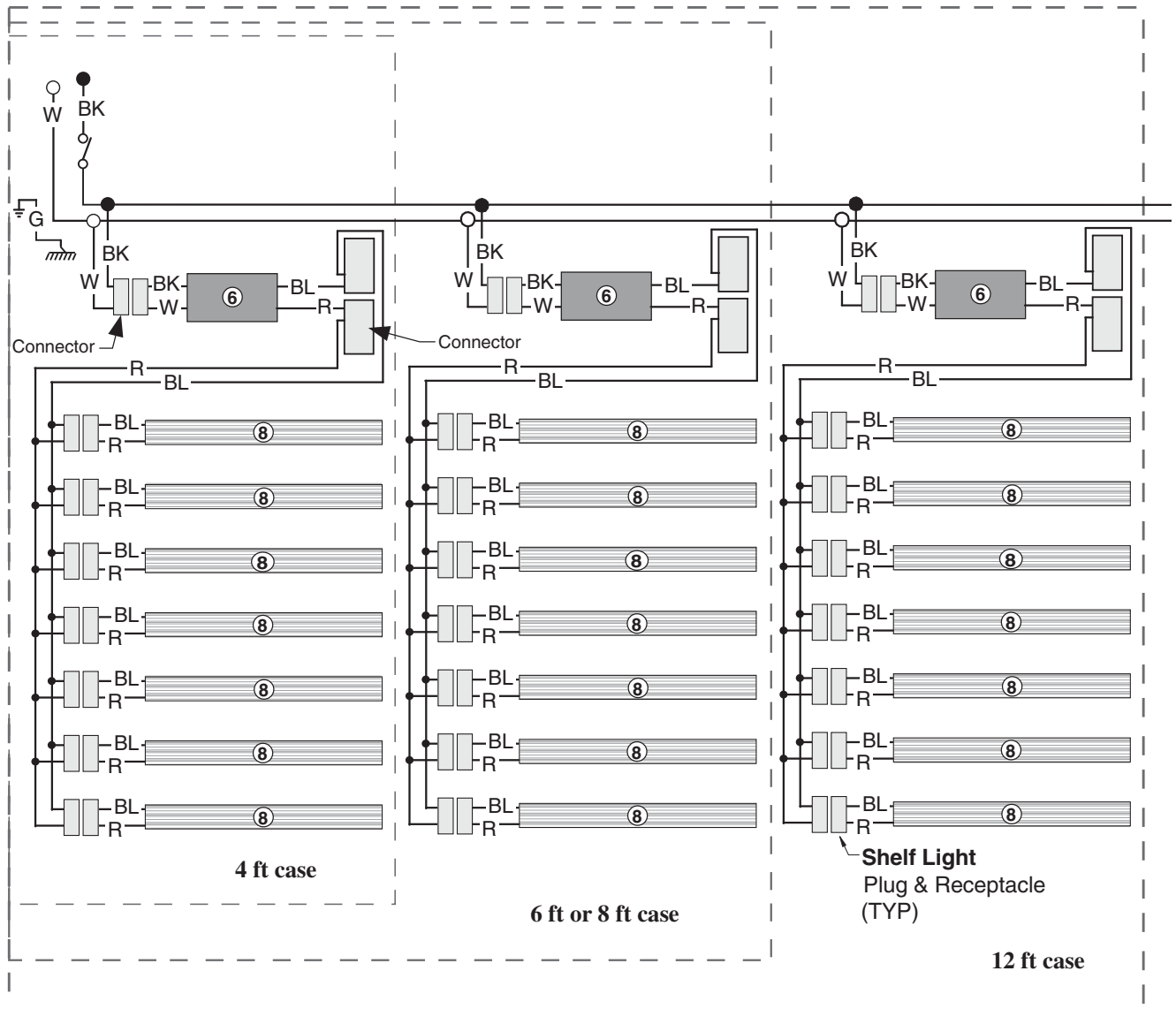
● = 120V POWER    ○ = 120V NEUTRAL    ⊥ = FIELD GROUND    ≡ = CASE GROUND





# Optional Shelf Lighting LED Fixtures

## Optional Shelf Harness and LED Light Circuits for 3, 4, 5, 6 & 7 Rows of Shelves



### WARNING

All components must have mechanical ground, and the merchandiser must be grounded.

CIRCLED NUMBERS = PARTS LIST ITEM NUMBERS

R = Red      G = Green      BL = Blue      BK = Black      W = White

● = 120V POWER      ○ = 120V NEUTRAL      ⚡ = FIELD GROUND      ≡ = CASE GROUND

**Impact Excel C2X-XLEP**  
**Dairy/Delicatessen**  
**Precut & Packaged Produce**

**SHELF CONFIGURATION**

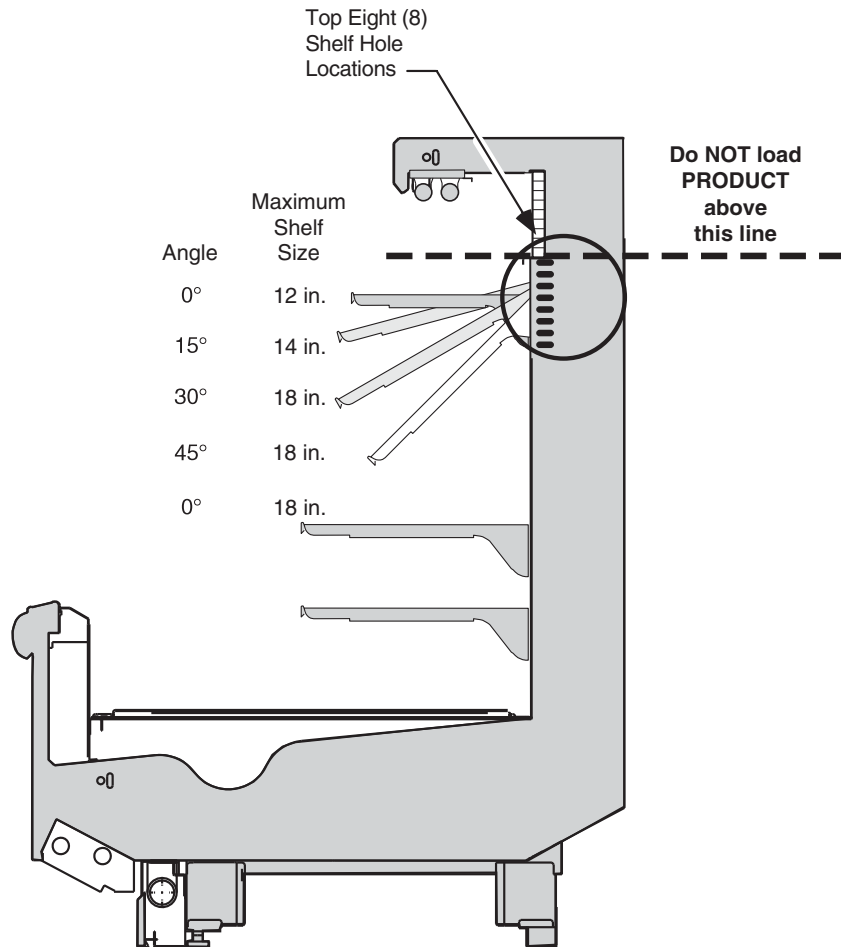
This merchandiser is designed for two or three shelves.

The depth of the shelf used in the top eight (8) shelf hole locations is critical to case performance.

If a shelf is placed in one of the top eight (8) locations it must comply with the angle/depth requirements listed below.

<b>Shelf Angle</b>	<b>Maximum Shelf Depth</b>
0°	12 in.
15°	14 in. or less
30°	18 in. or less
45°	18 in. or less

**NOTE:** Shelves placed in the lower positions may be up to 18 in. deep when positioned at a 0° angle.



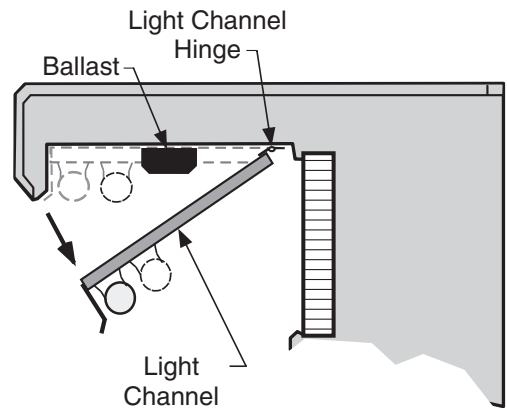
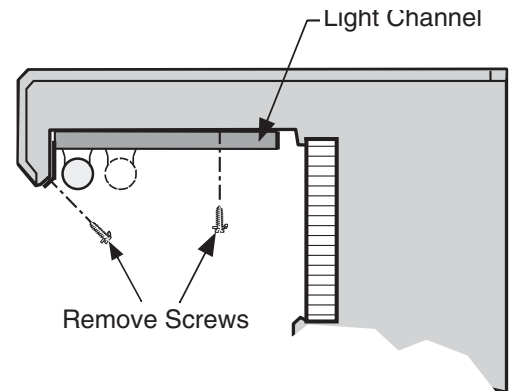
**Impact Excel C2X-XLEP**  
**Dairy/Delicatessen**  
**Precut & Packaged Produce**

The ballast for the canopy and shelf lamps is located behind the canopy on the left-hand end (when facing case) of the merchandiser.

To access the ballast:

1. Remove screws at bottom edge of canopy and rear of light channel.
2. Lower light channel which will pivot on hinge.
3. Service or replace ballasts as required.
4. Reassemble items as they were originally installed.

**NOTE:** Rail lamp ballast is located in the electrical raceway.



**CANOPY ANTI-SWEAT HEATER**

The canopy anti-sweat heater location is shown below. Connections are in the electrical wireway.

