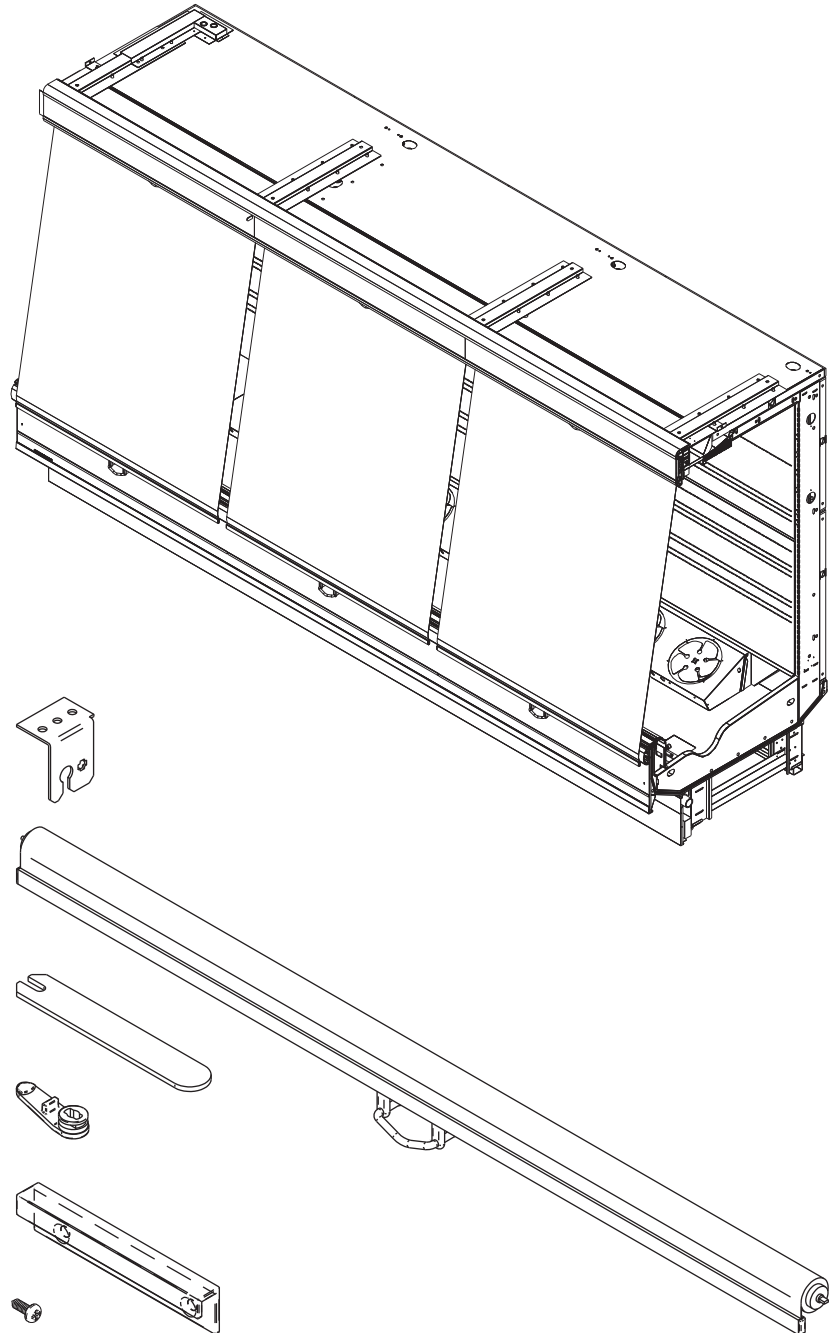


Illustration depicts an M3X-12EP
with three Night Curtains installed.



PARTS LIST (per curtain)

Item	Quantity	Description
1.	2	Night Curtain Bracket <i>(Factory Installed)</i>
2.	1	Night Curtain
3.	1	Wrench
4.	1	Spindle Lock
5.	1	Handle Hook
6.	2	Screw (#6 x 3/8)

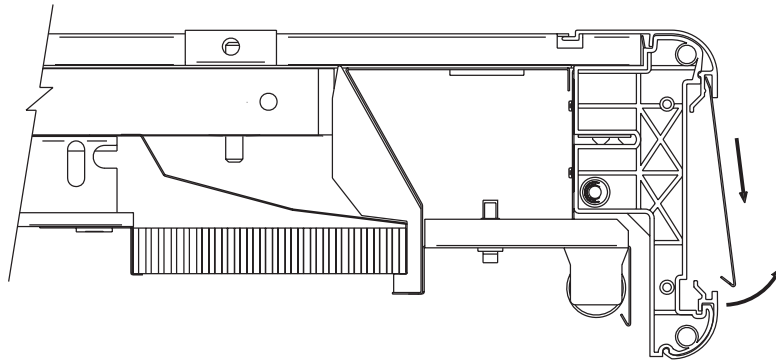
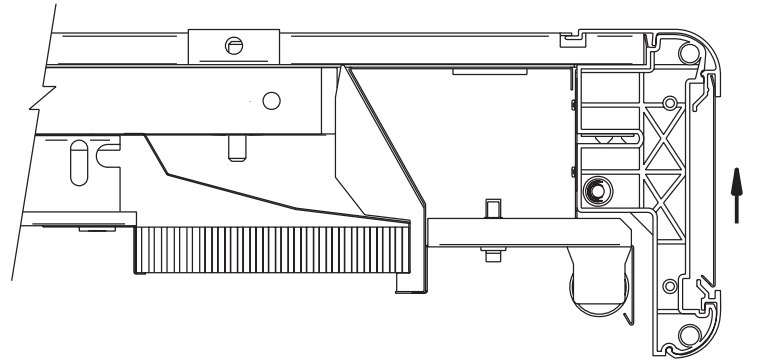
P/N 0466017_A
April 2006

Notes: Night curtains are intended to reduce energy use outside normal business hours.

Carefully unpack and inspect the night curtain and components to ensure there is no breakage or damage, and there are no missing parts.

Be sure cases have been positioned and leveled according to installation instructions. Install night curtains after all cases are joined, and splash-guards and bumpers are installed.

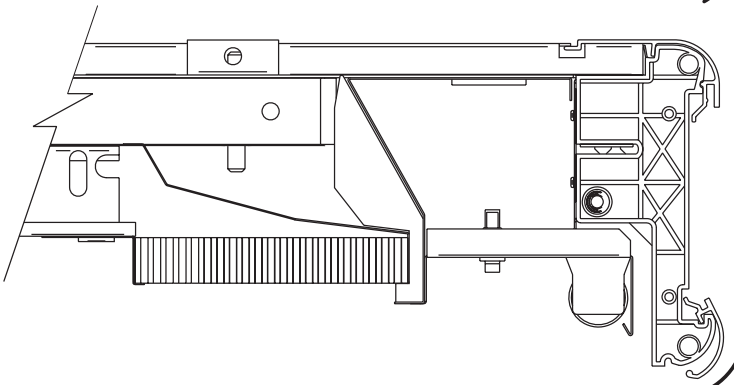
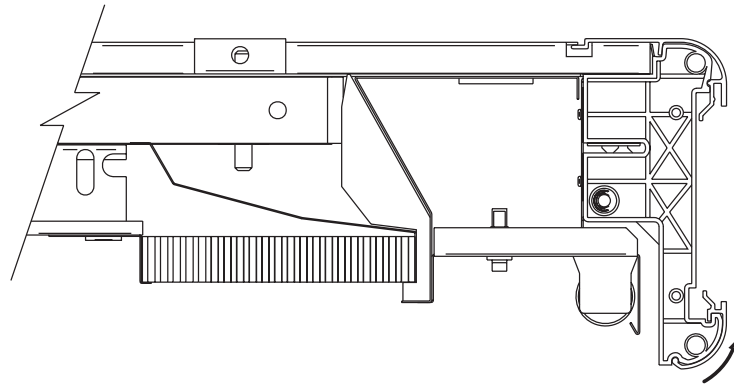
1 Remove the left fascia panel first, then remove the fascia panel to the right of the first panel. Continue until all fascia panels are removed.



2 Remove the bottom canopy extrusion:

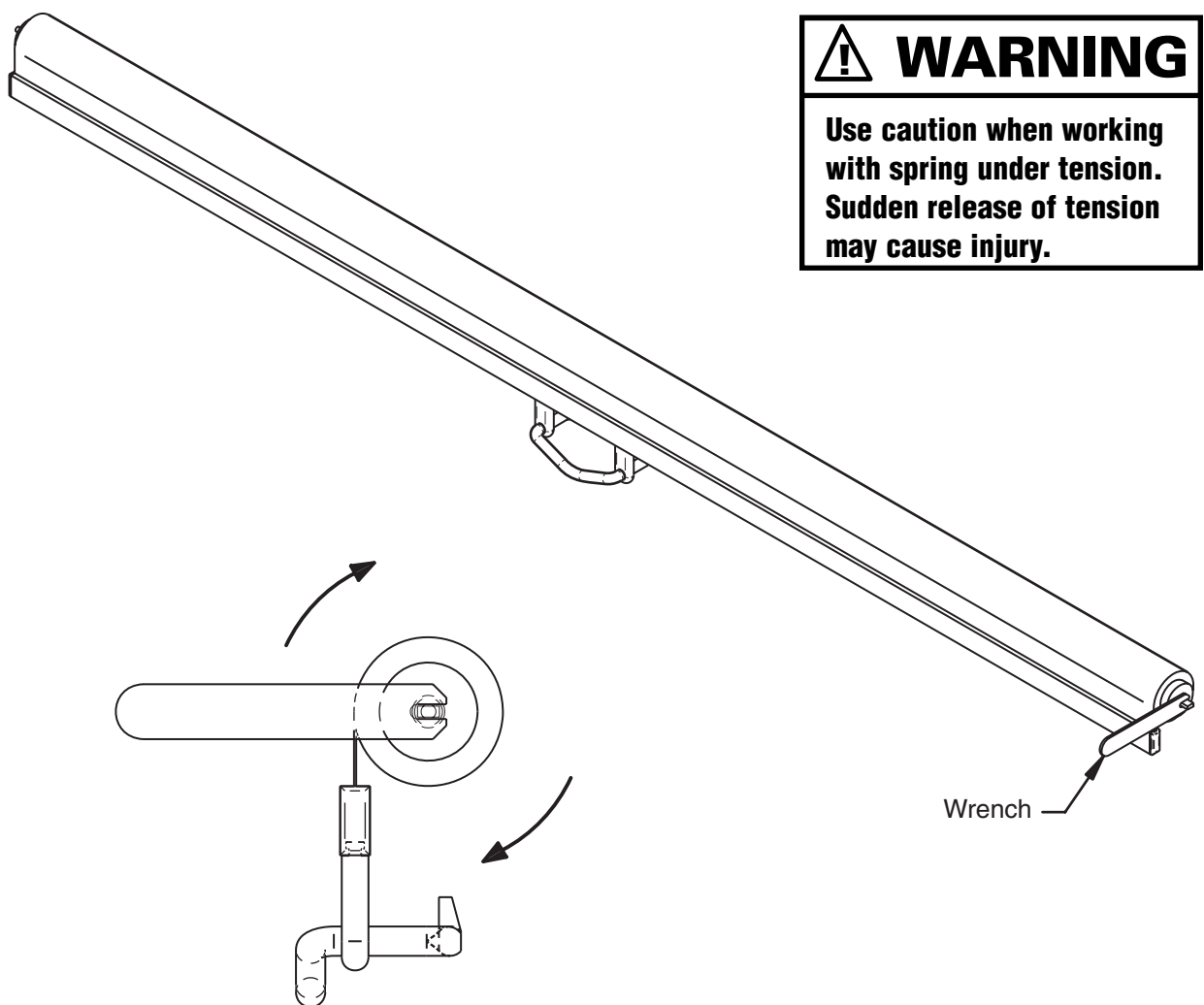
A. Rotate the bottom edge of extrusion to unsnap it from the supports.

B. Lift extrusion up to remove.



Note: Night Curtain Brackets
(parts list Item 1) **are factory-**
installed

- 3** Locate the rectangular pin of the spring on the right end of the **Night Curtain** (parts list **Item 2**). Use the supplied **Wrench** (parts list **Item 3**) to wind the spring clockwise until it has sufficient tension (approximately 12 turns). **Do not remove wrench!**

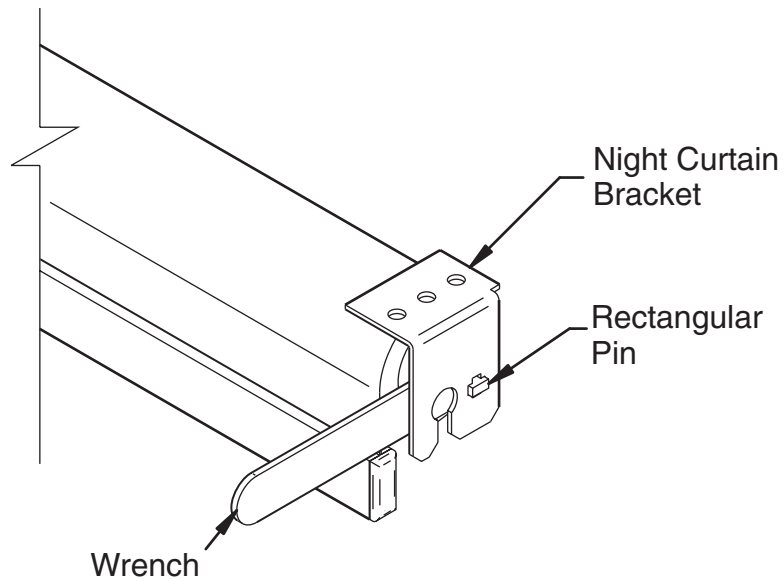


! WARNING

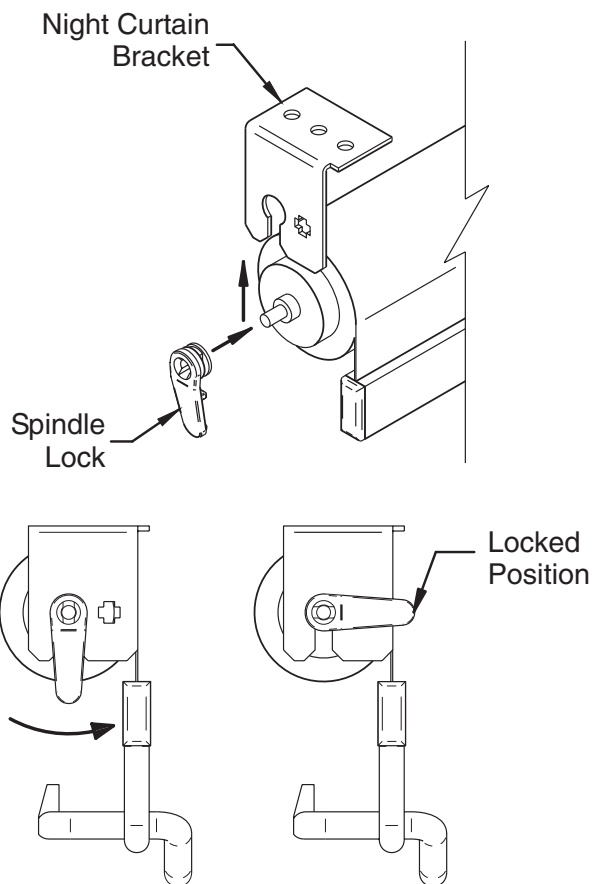
Use caution when working with spring under tension. Sudden release of tension may cause injury.

Begin at the right-hand end of the lineup or case.

- 4** Place the rectangular pin of the night curtain into the cross shaped opening of the right-hand bracket. Once the pin is in this bracket, the wrench should be removed.

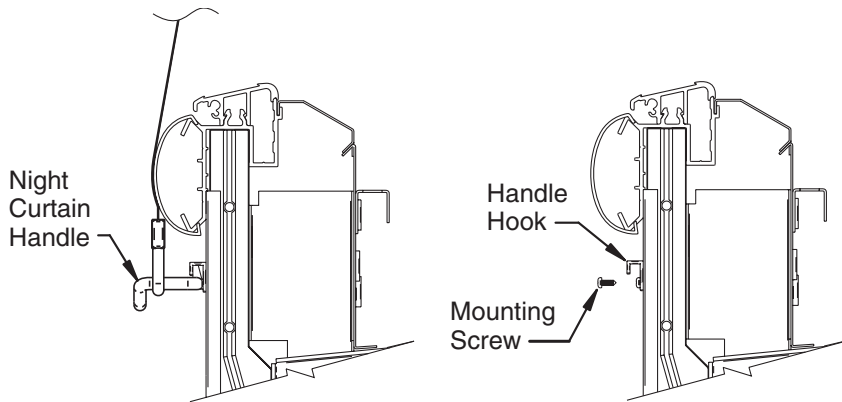


- 5** Put the **Spindle Lock** (parts list **Item 4**) on the round spindle of the night curtain. The spindle is on the left end of the night curtain. Put the spindle lock in place by sliding it into the keyhole slot of the left bracket and turning the spindle lock 90 degrees as shown in the illustration.

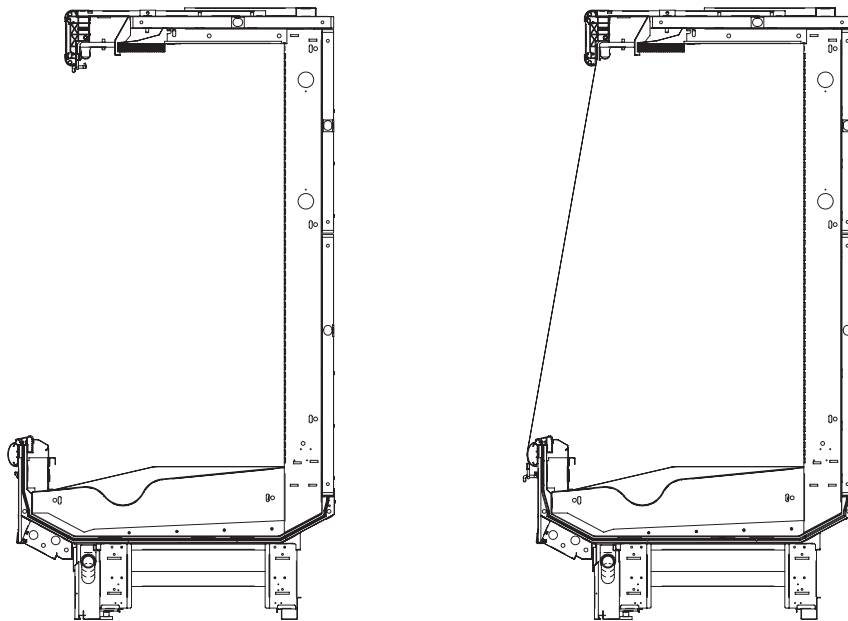


Test tension of spring and adjust if needed before moving to next step. (Remove spindle lock, replace wrench, and remove night curtain from case. Return to Step 3.)

Spring tension cannot be adjusted without removing the curtain from the case.



- 6** Mount the **Handle Hook** (parts list **Item 5**) below the front bumper. Pull the night curtain down and put the hook on the handle to position the hook. Mark the mounting hole locations and drill pilot holes for the **Mounting Screws** (parts list **Item 6**). Mount the Handle Hook with the Mounting Screws.



- 7** Reinstall the bottom canopy extrusion and the fascia panels removed in Steps 1 and 2.

Once the Night Curtain installation is complete, spring tension cannot be adjusted without removing the curtain from the case.