

HUSSMANN[®] Excel

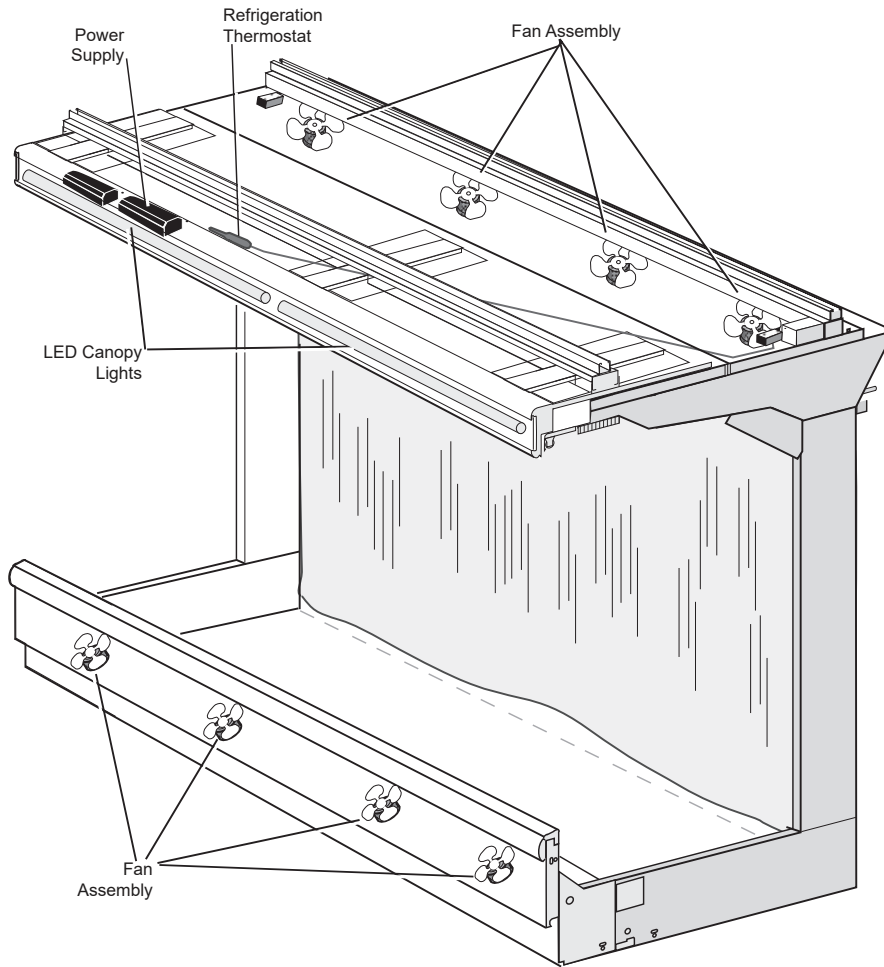


D5XRR1

Technical Data Sheet
P/N 0468268_P

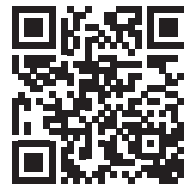
NSF[®] Certified
July 2019

DOE 2017
Energy Efficiency
Compliant



NSF Certification

This merchandiser model is manufactured to meet NSF/ANSI (National Sanitation Foundation) Standard #7 requirements for construction, materials and cleanability.



Scan the QR code on your mobile device to access additional product information or order parts.

Parts may also be ordered at:

parts.hussmann.com

Call toll free: 1.855.487.7778

We reserve the right to change or revise specifications and product design in connection with any feature of our products. Such changes do not entitle the buyer to corresponding changes, improvements, additions or replacements for equipment previously sold or shipped.

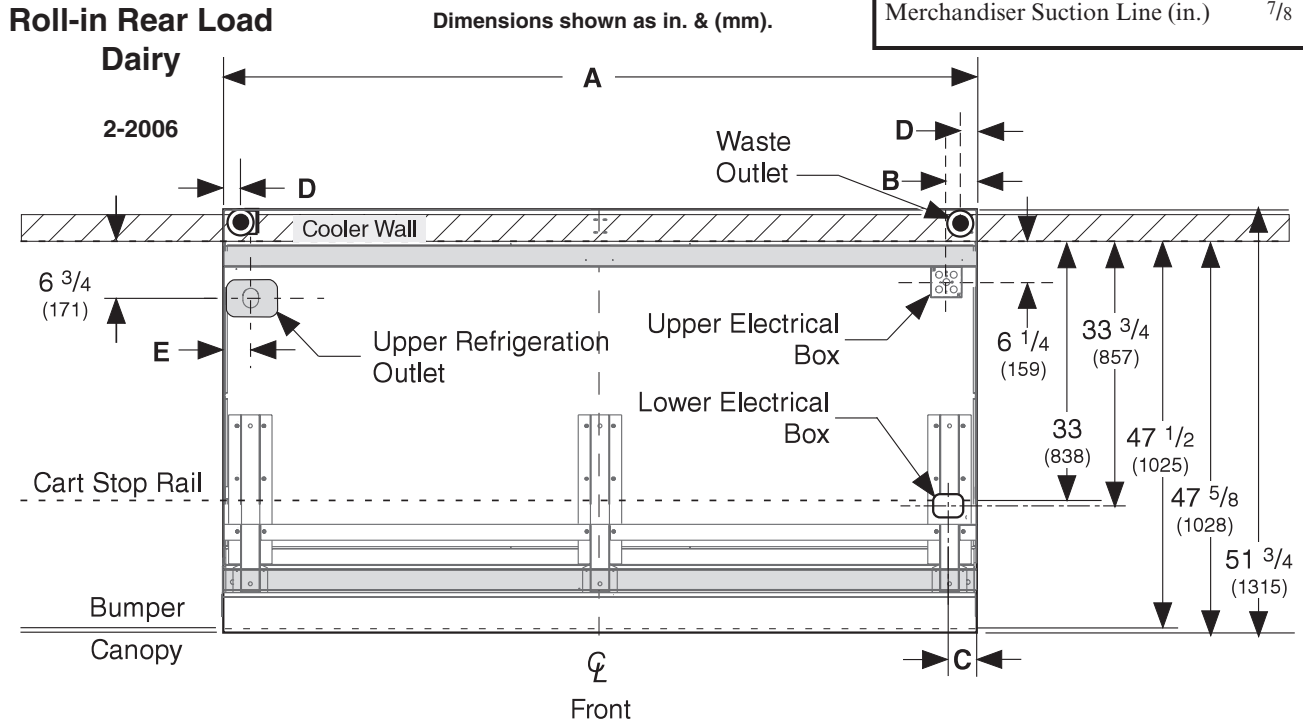
Note: Revision P: July 2019. Updated Lighting and CaseShieldPTM.



Data sheet-Excel-D5XRR1

Engineering Plan Views

NOTE: When joining D5X models with D5XRRI or D5XRRIS models, the drain location for the D5X must be moved forward 2.325 inches (59 mm) to allow fronts to align.

PHYSICAL DATA	
Merchandiser Drip Pipe (in.)	7/8
Merchandiser Liquid Line (in.)	3/8
Merchandiser Suction Line (in.)	7/8



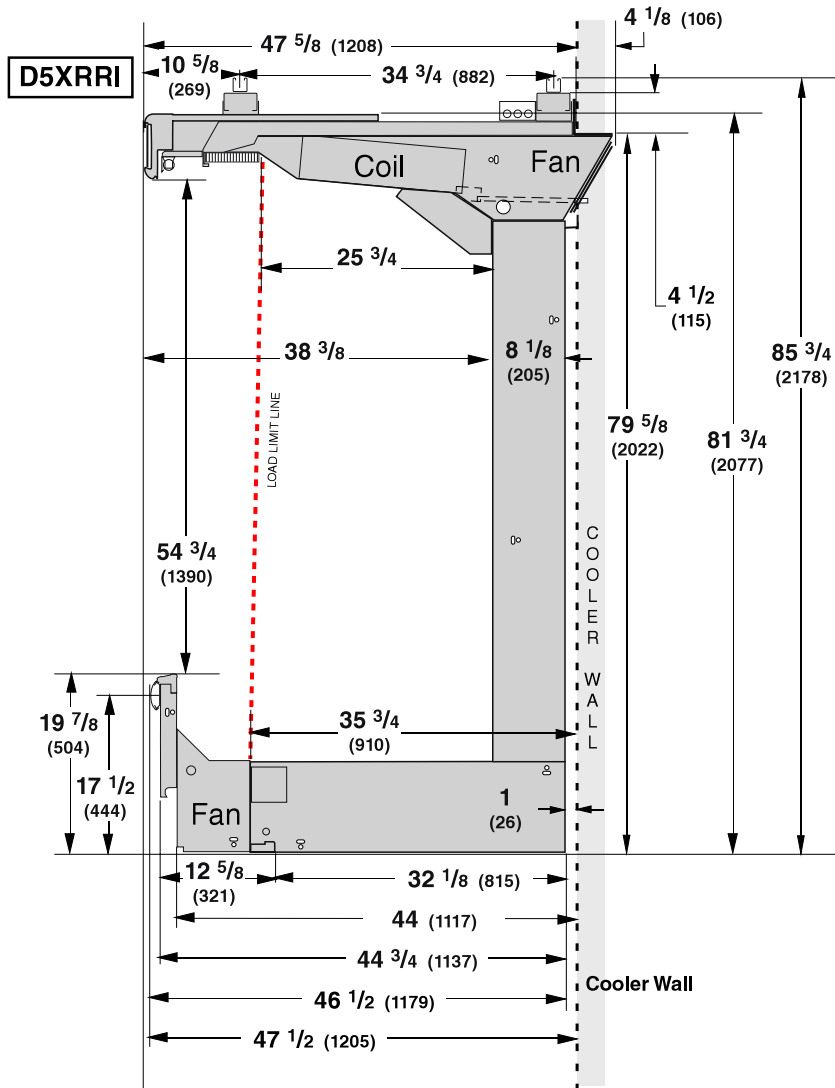
	8 ft	12 ft
General		
(A) Case Length*	96 3/8 (2448)	144 1/2 (3670)
Maximum O/S dimension of case back to front (Front of canopy through cooler wall)	53 1/8 (1349)	53 1/8 (1349)
Back of case (cooler wall) to O/S edge of front canopy	47 5/8 (1208)	47 5/8 (1208)
Back of case (cooler wall) to O/S edge of front bumper	47 1/2 (1205)	47 1/2 (1205)
Back of case (cooler wall) to front of splashguard	44 (1117)	44 (1117)
* Each End and Insulated Partition adds 1 1/2 in. (38 mm) to the length of the lineup.		
Electrical Service ** Electrical Field Wiring Connection Point		
Back of case (cooler wall) to center of 4x4x2 Electrical box	6 1/4 (159)	6 1/4 (159)
(B) RH End of case to center of 4x4x2 Upper Electrical box	2 1/2 (64)	2 1/2 (64)
Back of case (cooler wall) to center of Lower Electrical box	33 3/4 (857)	33 3/4 (857)
(C) RH End of case to center of Lower Electrical box	3 1/8 (79)	3 1/8 (79)
Waste Outlet 		
(D) End of case to the center of waste outlet (canopy drip pipe)	1 1/4 (32)	1 1/4 (32)
Outside diameter of the drip pipe	7/8 (22)	7/8 (22)
Refrigeration Outlet 		
Back of case (cooler wall) to center of refrigeration outlet	6 3/4 (171)	6 3/4 (171)
(E) LH end of case to center of refrigeration outlet	3 1/2 (89)	3 1/2 (89)
Outside diameter of the liquid line	3/8 (10)	3/8 (10)
Outside diameter of the suction line	7/8 (22)	7/8 (22)

Roll-in Rear Load



Hussmann refrigerated merchandisers configured for sale for use in the United States meet or surpass the requirements of the DOE 2017 energy efficiency standards.

Dimensions shown as in. & (mm).



Estimated Charge **		D5XRRI	
8 ft	2.7 lb	43 oz	1.2 kg
12 ft	3.9 lb	62 oz	1.8 kg

**This is an average for all refrigerant types. Actual refrigerant charge may vary by approximately half a pound (8 oz/0.2 kg).

Excel D5XRRI Dairy

REFRIGERATION DATA

Note: This data is based on store temperature and humidity that does not exceed 75°F and 55% R.H.

	D5XRRI [§]
Discharge Air (°F)	32
Evaporator (°F)	21
Unit Sizing (°F)	19

Important Note: Btu numbers are for the D5XRRI when installed to a cooler operating at a 36°F air temperature. The unit cooler coil must be sized for an **additional load of 800 Btu/hr/ft of D5XRRI case** installed to the cooler.

§ Average evaporator temperature shown. Use dew point for high glide refrigerants for unit sizing. Care should be taken to use the dew point in PT tables for measuring and adjusting superheat. Adjust evaporator pressure as needed to maintain discharge air temperature shown.

Btu/hr/ft

D5XRRI	Roll-in Dairy Carts	
	Parallel	Conventional
UNLIT	965	1130

Reduce refrigeration load by 15% if fitted with CaseShieldPTM.

DEFROST DATA

	D5XRRI
Frequency (hr)	6
Defrost Water (lb/ft/day)	6

(± 15% based on case configuration and product loading).

OFF TIME

	D5XRRI
Time Terminated (minutes)	50
ELECTRIC OR GAS	Not Recommended

Standard Defrost Thermostat — NA

CONVENTIONAL CONTROLS

Low Pressure Backup Control

	D5XRRI
CI/CO (Temp °F)*	14/4
Indoor Unit Only, Pressure Defrost Termination (Temp °F)*	NA

*Use a Temperature Pressure Chart to determine PSIG conversions.

Excel D5XRR1 Dairy

Electrical Data

Number of Fans			8 ft	12 ft		
Discharge — 13W			4	6		
Return — 12W			4	6		
			Amperes		Watts	
			8 ft	12 ft	8 ft	12 ft
Discharge Fan						
120V	60Hz	Energy Efficient	1.20	1.80	80	120
230V	60Hz	Energy Efficient	0.60	0.90	80	120
230V	60Hz	Export	1.56	2.34	244	366
230V	50Hz	Export	1.92	2.88	280	420
Return Fan						
120V	60Hz	Energy Efficient	1.20	1.80	72	108
230V	60Hz	Energy Efficient	0.60	0.90	72	108
230V	60Hz	Export	1.32	1.98	200	300
230V	50Hz	Export	1.52	2.28	228	342
Minimum Circuit Ampacity						
120V	60Hz	Energy Efficient	2.60	3.80		
230V	60Hz	Energy Efficient	1.40	2.00		
230V	60Hz	Export	3.08	4.52		
230V	50Hz	Export	3.64	5.36		
Maximum Over Current Protection 120V			20	20		
Maximum Over Current Protection 230V			15	15		

ONLY LIGHTING CONFIGURATIONS THAT ARE COMPLIANT WITH THE U.S. DEPT. OF ENERGY (DOE) 2017 REGULATION ARE AVAILABLE FOR SALE FOR USE IN THE U.S.A.

LED LIGHTING			Amperes		Watts	
			8 ft	12 ft	8 ft	12 ft
EcoShine ULTRA Canopy Lights						
1 Row EcoShine ULTRA			0.36	0.54	43	64
EcoShine II Canopy Lights						
1 Row EcoShine II			0.32	0.48	39	58
1 Row EcoShine II HO			0.44	0.66	53	79
EcoShine II Rail Light — 1 Row			0.16	0.25	20	30
Standard Lighting (T-8 Fluorescent) 1 Row Canopy			0.51	0.77	59	85

120V Lighting Circuit Total = Standard Lighting + Total Optional Lighting + Optional Shelf Lighting

120V LED Lighting Circuit Total = Canopy Lighting + Optional Rail Lighting + Shelf Lighting

230V Lighting Circuit Total = Multiply 120V Lighting Circuit Total by 0.52

Please note: some combinations of fluorescent lights on this case model may not be compliant with DOE 2017 and may not be available to order in the US and Canada. More lighting options are available with LED lights. The Hussmann Product Configurator will not allow lighting options that do not comply with the DOE 2017 standards.

Product Data

<i>Gross Refrigerated Volume</i> ¹ (Cu Ft/Ft)	14.52 ft ³ /ft (1.35 m ³ /m)
<i>AHRI Total Display Area</i> ² (Sq Ft/Ft)	4.56 ft ² /ft (1.39 m ² /m)
<i>Shelf Area</i> ³ (Sq Ft/Ft)	Not Applicable

- ¹ AHRI Refrigerated Volume less shelving and other unusable space: Refrigerated Volume/Unit of Length, ft³/ft [m³/m]
- ² Computed using AHRI 1200 standard methodology: Total Display Area, ft² [m²]/Unit of Length, ft [m]
- ³ Shelf surface area is composed of bottom deck plus standard shelf complement, as shown in the Hussmann *Product Reference Guide*. The standard shelf complement for this model is NONE.

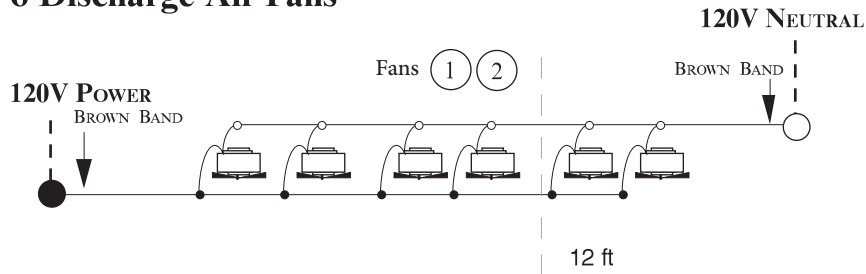
ESTIMATED SHIPPING WEIGHT⁴

Case	<i>8 ft</i>	<i>12 ft</i>	Solid End (each)
lb (kg)	1000 (454)	1400 (635)	130 (59)

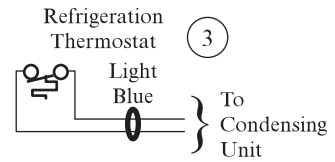
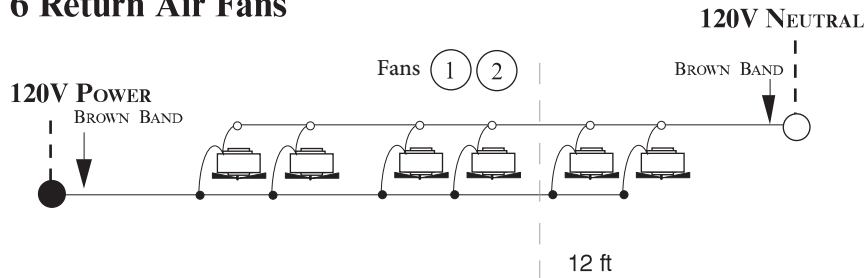
⁴ Actual weights will vary according to optional kits included.

Fan Wiring Offtime Defrost

4 & 6 Discharge Air Fans



4 & 6 Return Air Fans



Scan QR code to access
Fluorescent Wiring Diagrams
on your mobile device.

WARNING

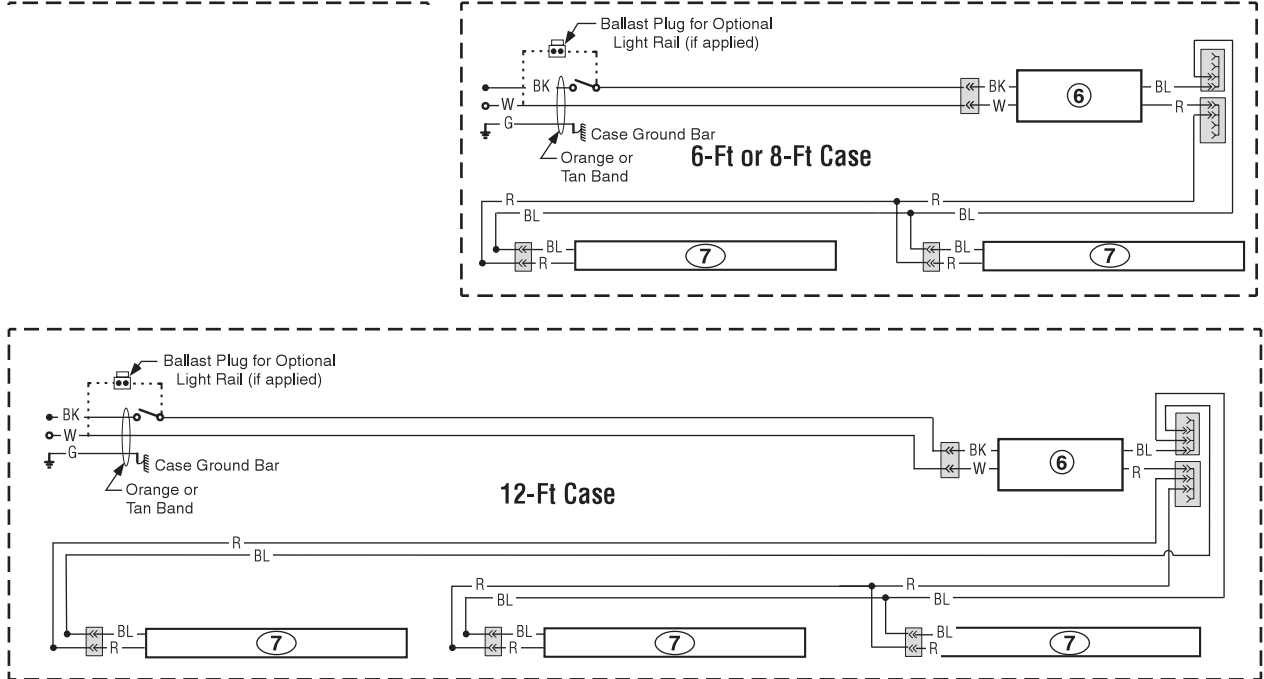
All components must have mechanical ground, and the merchandiser must be grounded.
Circled Numbers = Parts List Item Numbers

R = Red G = Green BL = Blue BK = Black W = White

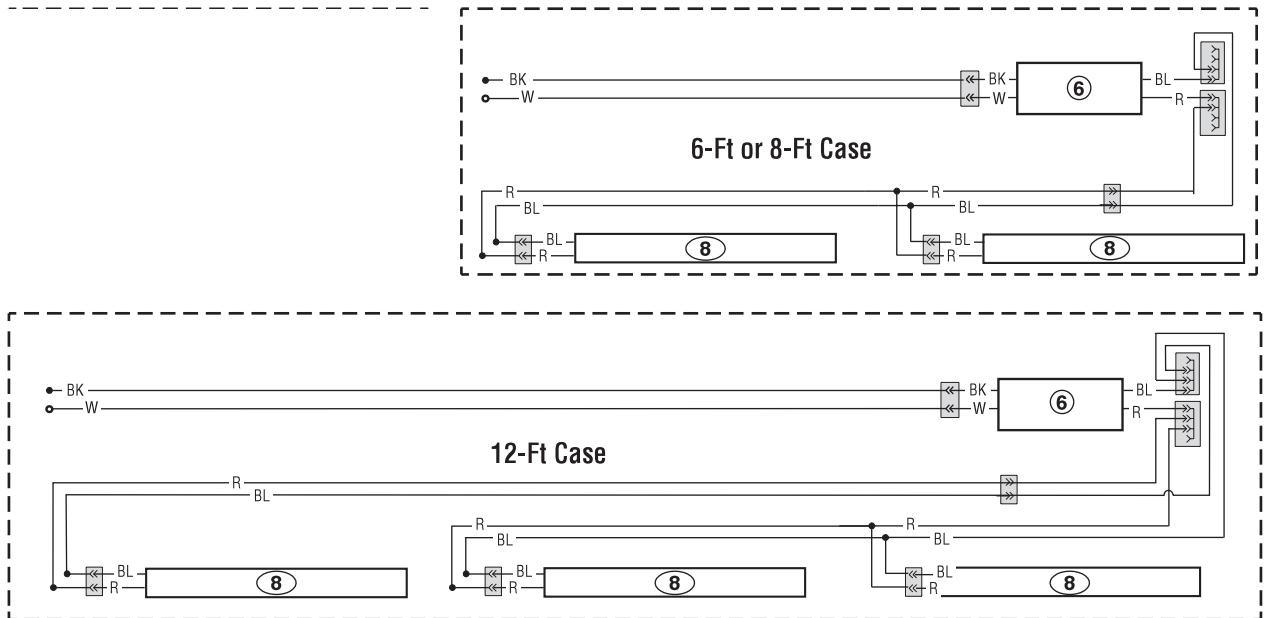
● = 120V POWER ○ = 120V NEUTRAL ≡ = Field GROUND ≡ = Case GROUND

LED Canopy and Rail Light Circuits

LED Canopy Lighting — 1 Row



LED Rail Lighting — 1 Row



WARNING

All components must have mechanical ground, and the merchandiser must be grounded.

CIRCLED NUMBERS = PARTS LIST ITEM NUMBERS

R = Red Y = Yellow G = Green BL = Blue BK = Black W = White

● = 120V POWER ○ = 120V NEUTRAL ⊥ = FIELD GROUND ≡ = CASE GROUND