

We reserve the right to change or revise specifications and product design in connection with any feature of our products. Such changes do not entitle the buyer to corresponding changes, improvements, additions or replacements for equipment previously sold or shipped.

Item	Part #	Description	Wiring Item #	Item	Part #	Description	Wiring Item #
FAN ASSEMBLIES				LAMPS AND BALLASTS			
A.	13W Standard Fan Assembly — Discharge	(1)	D.	Ballast, Electronic	(4)		
	0378349	Fan Motor, Discharge (MO.4410104)		0480130	2 lamps (BA.4481676)		
	0463643	Fan Blade (FB.4780648)		0480131	3 lamps (BA.4481654)		
	13W Energy Efficient Fan Assembly — Discharge			0480132	4 lamps (BA.4481677)		
	0477656	Fan Motor, Discharge (MO.4410547)		E.	Fluorescent Lamp	(5)	
	0463643	Fan Blade (FB.4780648)			<i>Replace with like fixtures</i>		
B.	12W Standard Fan Assembly — Return	(2)					
	0047000	Fan Motor, Return (MO.4410103)					
	0315470	Fan Blade (FB.0315470)					
	12W Energy Efficient Fan Assembly — Return						
	0477655	Fan Motor, Return (MO.4410546)					
	0315470	Fan Blade (FB.0315470)					
THERMOSTATS				LED FIXTURES AND POWER SUPPLY			
C.	Optional Adjustable Refrigeration Thermostat	(3)	F.	0501213	Power Supply (EP.4481861)	(6)	
			G.	EcoShine LED Canopy Fixture	(7)		
				4441720	Front 48-inch 2900K HCRI		
				4441722	Front 48-inch 3500K HCRI		
				4441724	Front 48-inch 3500K		
				4441726	Front 48-inch 4100K		
				4441721	Rear 48-inch 2900K HCRI		
				4441723	Rear 48-inch 3500K HCRI		
				4441725	Rear 48-inch 3500K		
				4441727	Rear 48-inch 4100K		

Note: Revision E updates parts list (page 1), and electrical values (page 4).



Engineering Plan Views

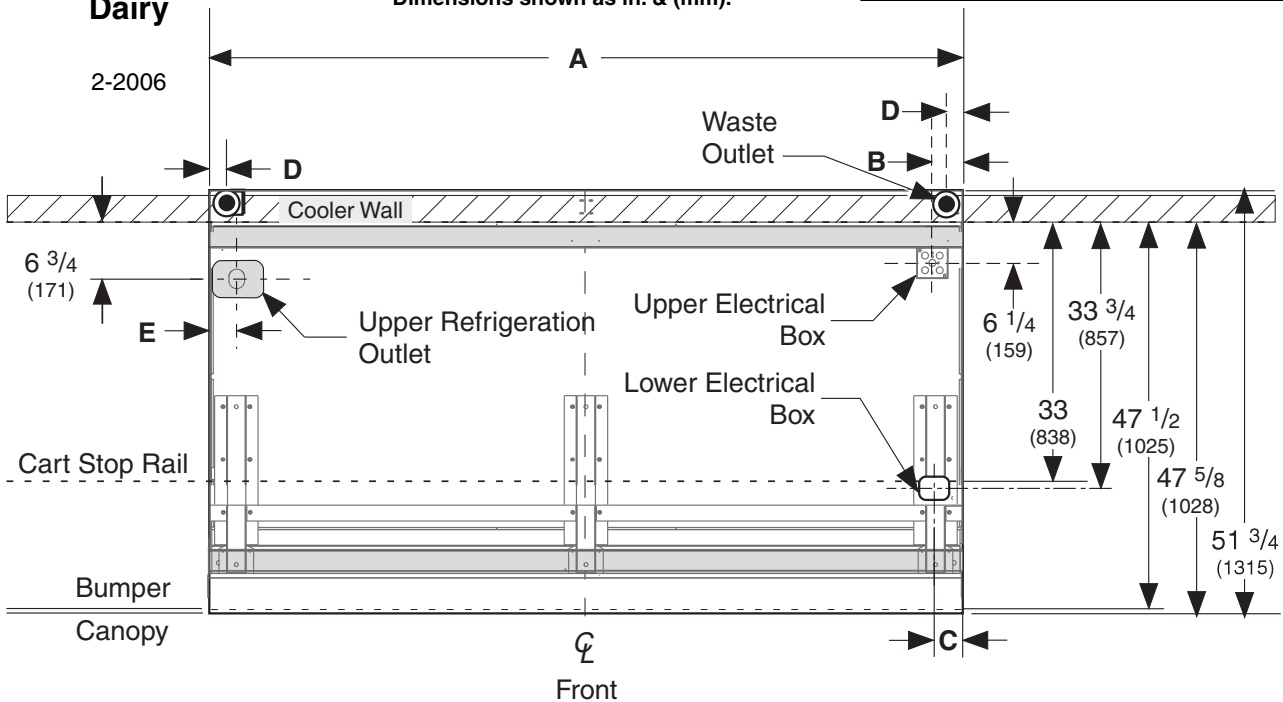
NOTE: When joining D5X models with D5XRRRI or D5XRRIS models, the drain location for the D5X must be moved forward 2.325 inches (59 mm) to allow fronts to align.

Suspended Roll-in Rear Load Dairy

Dimensions shown as in. & (mm).

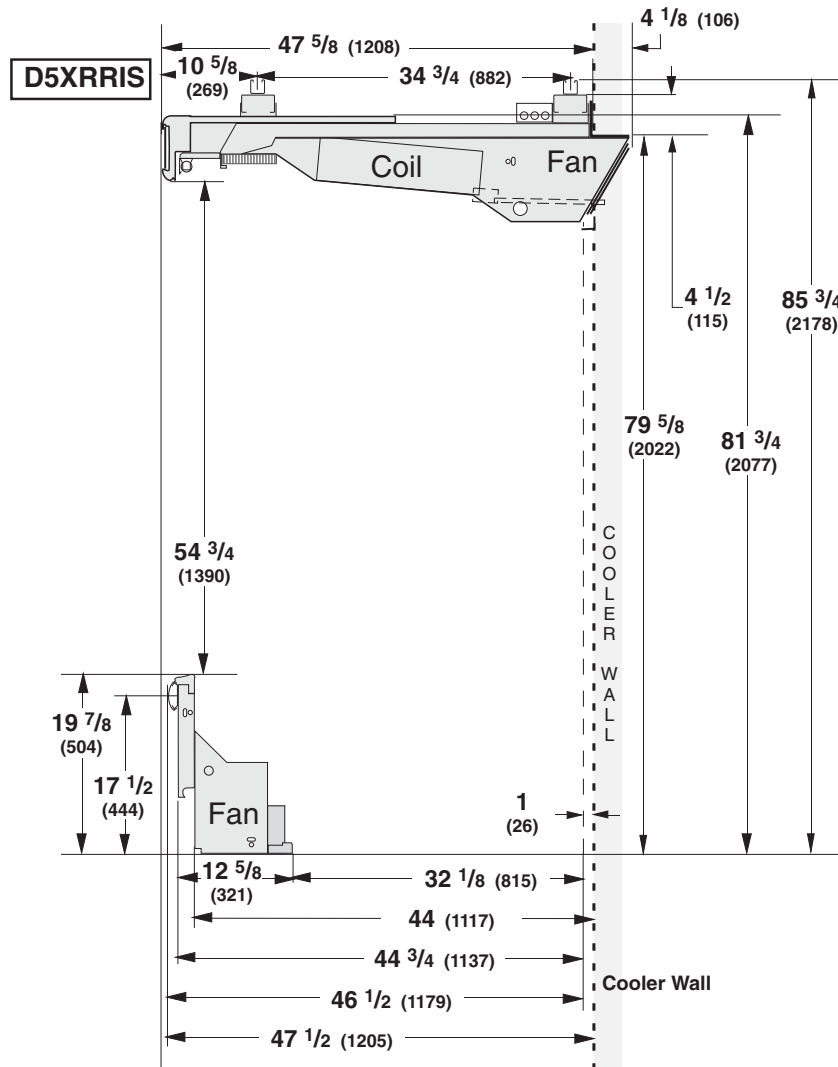
PHYSICAL DATA

Merchandiser Drip Pipe (in.)	7/8
Merchandiser Liquid Line (in.)	3/8
Merchandiser Suction Line (in.)	7/8



	8 ft	12 ft
General		
(A) Case Length*	96 3/8 (2448)	144 1/2 (3670)
Maximum O/S dimension of case back to front (Front of canopy through cooler wall)	53 1/8 (1349)	53 1/8 (1349)
Back of case (cooler wall) to O/S edge of front canopy	47 5/8 (1208)	47 5/8 (1208)
Back of case (cooler wall) to O/S edge of front bumper	47 1/2 (1205)	47 1/2 (1205)
Back of case (cooler wall) to front of splashguard	44 (1117)	44 (1117)
* Each End and Insulated Partition adds 1 1/2 in. (38 mm) to the length of the lineup.		
Electrical Service ** Electrical Field Wiring Connection Point		
Back of case (cooler wall) to center of 4x4x2 Electrical box	6 1/4 (159)	6 1/4 (159)
(B) RH End of case to center of 4x4x2 Upper Electrical box	2 1/2 (64)	2 1/2 (64)
Back of case (cooler wall) to center of Lower Electrical box	33 3/4 (857)	33 3/4 (857)
(C) RH End of case to center of Lower Electrical box	3 1/8 (79)	3 1/8 (79)
Waste Outlet		
(D) End of case to the center of waste outlet (canopy drip pipe)	1 1/4 (32)	1 1/4 (32)
Outside diameter of the drip pipe	7/8 (22)	7/8 (22)
Refrigeration Outlet		
Back of case (cooler wall) to center of refrigeration outlet	6 3/4 (171)	6 3/4 (171)
(E) LH end of case to center of refrigeration outlet	3 1/2 (89)	3 1/2 (89)
Outside diameter of the liquid line	3/8 (10)	3/8 (10)
Outside diameter of the suction line	7/8 (22)	7/8 (22)

Dimensions shown as in. & (mm).



NSF Certification

This merchandiser model is manufactured to meet ANSI/NSF (National Sanitation Foundation) Standard #7 requirements for construction, materials & cleanability.

Impact D5XRRIS Dairy

REFRIGERATION DATA

Note: This data is based on store temperature and humidity that does not exceed 75°F and 55% R.H.

	D5XRRIS
Discharge Air (°F)	32
Evaporator (°F)	21
Unit Sizing (°F)	19

Important Note: Btu numbers are for the D5XRRIS when installed to a cooler operating at a 36°F air temperature. The unit cooler coil must be sized for an **additional load of 800 Btu/hr/ft of D5XRRIS case** installed to the cooler.

Btu/hr/ft ‡	Roll-in Dairy Carts	
D5XRRIS	Parallel	Conventional
UNLIT	1035	1200

‡ Optional energy efficient motors reduce the refrigeration load by 70 Btu/hr/ft.

DEFROST DATA

	D5XRRIS
Frequency (hr)	6
Defrost Water (lb/ft/day)	6
(± 15% based on case configuration and product loading).	
OFFTIME	D5XRRIS
Time Terminated (minutes)	50
ELECTRIC OR GAS	Not Recommended

Standard Defrost Thermostat — NA

CONVENTIONAL CONTROLS

	D5XRRIS
Low Pressure Backup Control	
CI/CO (Temp °F)*	14/4
Indoor Unit Only, Pressure Defrost Termination (Temp °F)*	NA

**Use a Temperature Pressure Chart to determine PSIG conversions.

Estimated Charge **	D5XRRIS		
8 ft	2.7 lb	43 oz	1.2 kg
12 ft	3.9 lb	62 oz	1.8 kg

**This is an average for all refrigerant types. Actual refrigerant charge may vary by approximately half a pound.

Impact D5XRRIS Dairy

Electrical Data

Number of Fans	8 ft	12 ft
Discharge — 13W	4	6
Return — 12W	4	6

			Amperes		Watts	
			8 ft	12 ft	8 ft	12 ft
Discharge Fan						
120V	60Hz	Standard	3.08	4.62	244	366
120V	50Hz	Standard	3.92	5.88	280	420
230V	60Hz	Export	1.56	2.34	244	366
230V	50Hz	Export	1.92	2.88	280	420
120V	60Hz	Energy Efficient	1.20	1.80	80	120
230V	60Hz	Energy Efficient	0.60	0.90	80	120

Return Fan						
120V	60Hz	Standard	2.60	3.90	200	300
120V	50Hz	Standard	3.00	4.50	228	342
230V	60Hz	Export	1.32	1.98	200	300
230V	50Hz	Export	1.52	2.28	228	342
120V	60Hz	Energy Efficient	1.20	1.80	72	108
230V	60Hz	Energy Efficient	0.60	0.90	72	108

Minimum Circuit Ampacity						
120V	60Hz	Standard	5.88	8.72		
120V	50Hz	Standard	7.12	10.58		
230V	60Hz	Export	3.08	4.52		
230V	50Hz	Export	3.64	5.36		
120V	60Hz	Energy Efficient	2.60	3.80		
230V	60Hz	Energy Efficient	1.40	2.00		

Maximum Over Current Protection 120V	20	20
Maximum Over Current Protection 230V	15	15

Standard Lighting (T-8 fluorescent)						
1 Row Canopy			0.51	0.77	59	85
Optional Lighting (T-8 fluorescent)						
Additional 1 Row Canopy			0.51	0.77	59	85
Additional 2 Row Canopy			1.02	1.54	118	170
Additional 3 Row Canopy			1.53	2.31	177	255
1 Row Rail Light			0.51	0.77	59	85

EcoShine Multi-deck — Normal CRI—120VAC, 50/60Hz						
2 Row Canopy (Front & Rear)			0.55	0.82	66	98
EcoShine Multi-deck — High CRI —120VAC, 50/60Hz						
2 Row Canopy (Front & Rear)			0.63	0.93	75	112
Always*Bright Multi-deck —120VAC, 50/60Hz						
2 Row Canopy (Front & Rear)			0.71	1.08	85	130

120V Lighting Circuit Total = Standard Lighting + Total Optional Lighting + Optional Shelf Lighting
 230V Lighting Circuit Total = Multiply 120V Lighting Circuit Total by 0.52

Product Data

<i>Recommended Usable Cube</i> ¹ (Cu Ft/Ft)	15.43 ft ³ /ft (1.43 m ³ /m)
<i>Total Display Area</i> ² (Sq Ft/Ft)	4.79 ft ² /ft (1.46 m ² /m)
<i>Shelf Area</i> ³ (Sq Ft/Ft)	2.69 ft ² /ft (0.82 m ² /m)

¹ Refrigerated Volume less shelving and other unusable space: Refrigerated Volume/Unit of Length, ft³/ft [m³/m]

² Total Display Area, ft² [m²]/Unit of Length, ft [m]

³ Shelf surface area is composed of bottom deck plus standard shelf complement, as shown in the Hussmann *Product Reference Guide*. The standard shelf complement for this model is NONE.

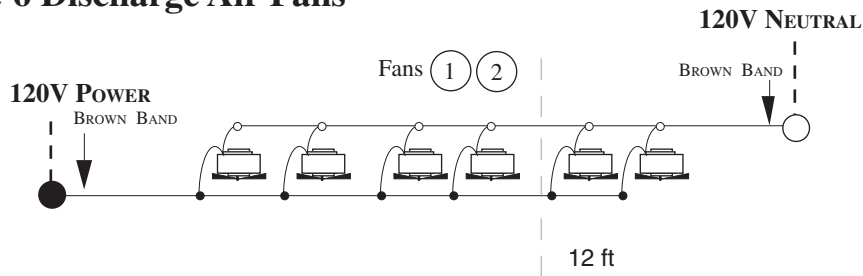
ESTIMATED SHIPPING WEIGHT ⁵

Case	<i>8 ft</i> <i>12 ft</i>		Solid End
			<i>(each)</i>
lb (kg)	1000 (454)	1400 (635)	130 (59)

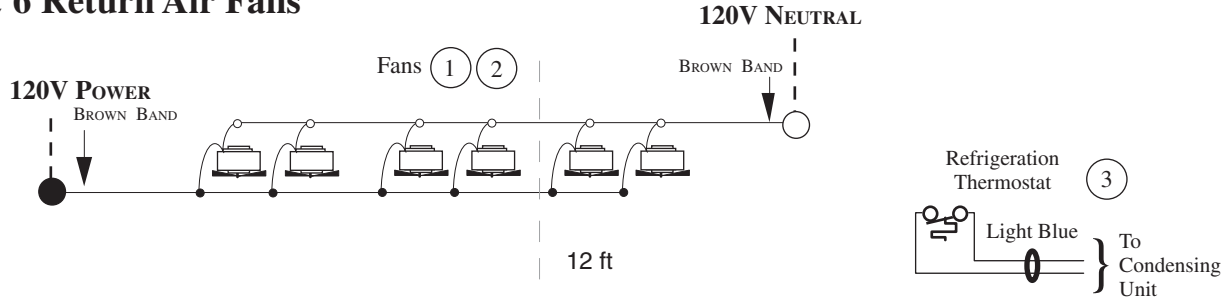
⁵ Actual weights will vary according to optional kits included.

Fan Wiring Offtime Defrost

4 & 6 Discharge Air Fans



4 & 6 Return Air Fans



WARNING

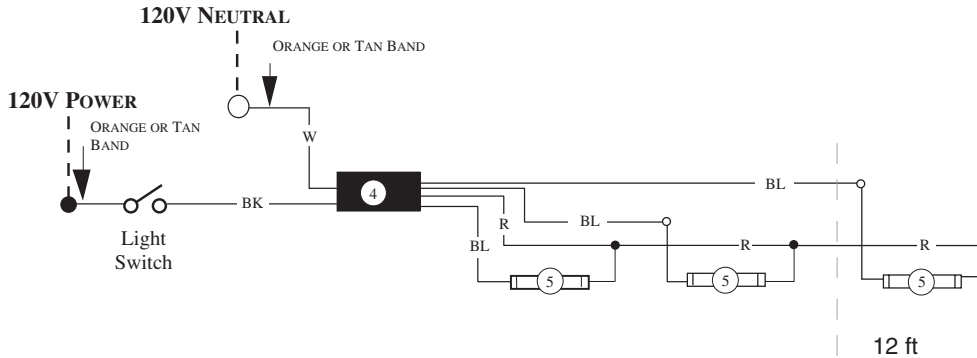
All components must have mechanical ground, and the merchandiser must be grounded.
Circled Numbers = Parts List Item Numbers

R = Red G = Green BL = Blue BK = Black W = White

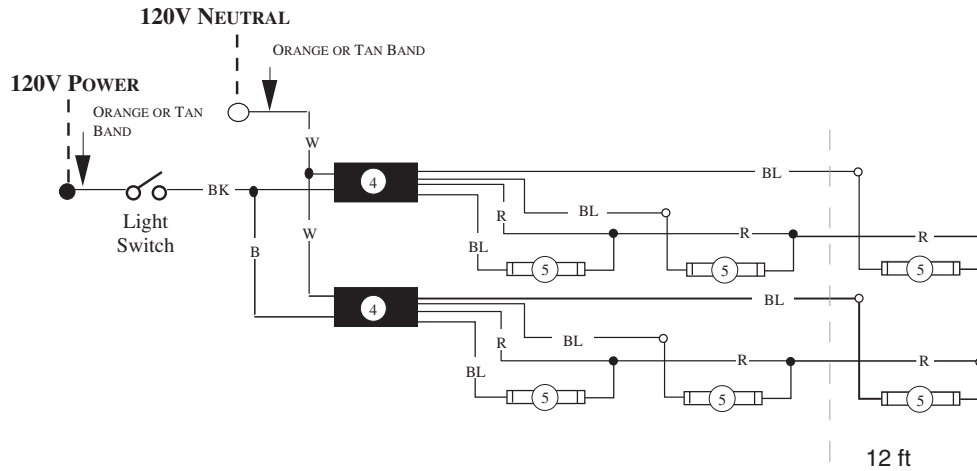
● = 120V POWER ○ = 120V NEUTRAL ≡ = Field GROUND ≡ = Case GROUND

Optional Shelf Lighting Fluorescent Fixtures

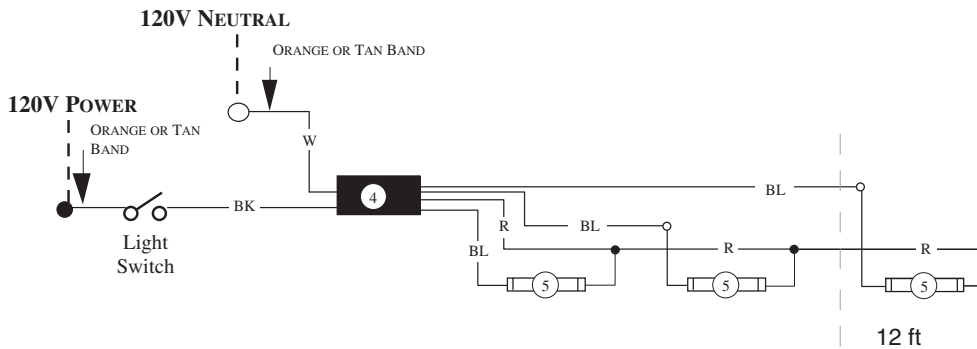
Standard Lighting: 1 Row Canopy



Optional Lighting: 2 Rows Canopy



Optional Lighting: 1 Row Rail



WARNING

All components must have mechanical ground, and the merchandiser must be grounded.

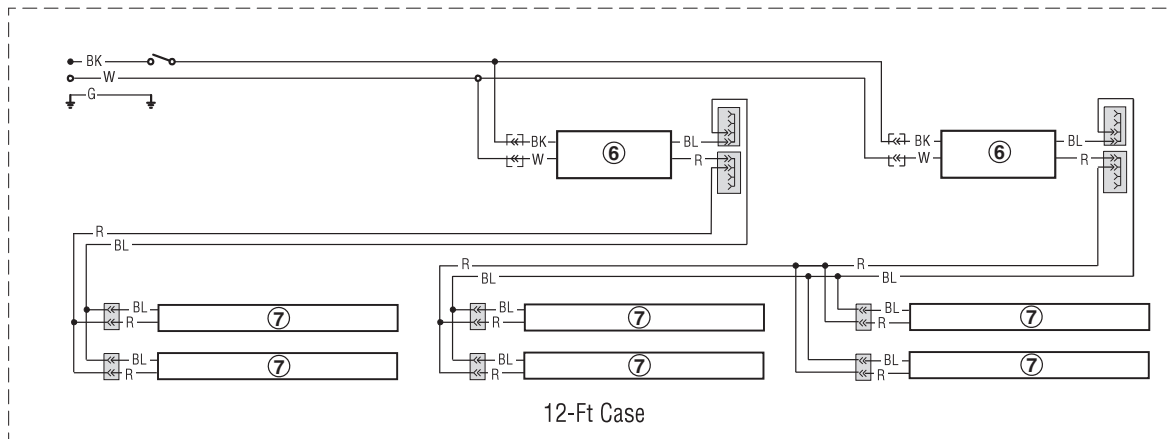
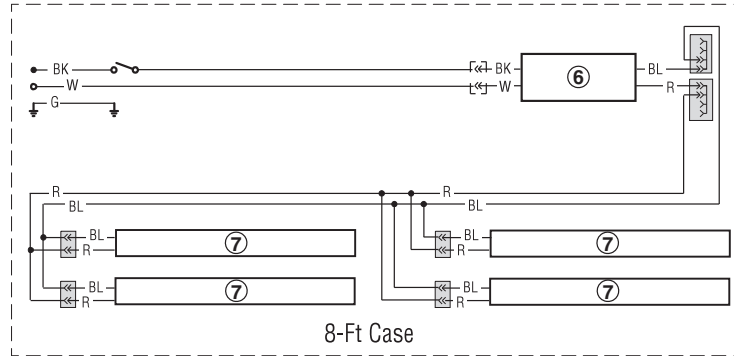
CIRCLED NUMBERS = PARTS LIST ITEM NUMBERS

R = Red Y = Yellow G = Green BL = Blue BK = Black W = White

● = 120V POWER ○ = 120V NEUTRAL

Optional Canopy Lighting LED Fixtures

Standard LED Canopy Lighting — 2 Row Canopy



WARNING

All components must have mechanical ground, and the merchandiser must be grounded.

CIRCLED NUMBERS = PARTS LIST ITEM NUMBERS

R = Red Y = Yellow G = Green BL = Blue BK = Black W = White

● = 120V POWER ○ = 120V NEUTRAL \perp = FIELD GROUND $\overline{\text{mm}}$ = CASE GROUND