

We reserve the right to change or revise specifications and product design in connection with any feature of our products. Such changes do not entitle the buyer to corresponding changes, improvements, additions or replacements for equipment previously sold or shipped.

Item	Part #	Description	Wiring Item #	Item	Part #	Description	Wiring Item #
FAN ASSEMBLIES				LAMPS AND BALLASTS			
8 Ft & 12 Ft				D.		Ballast, Electronic	(4)
A.	25W Standard	Fan Assembly	(1)	0480130		2 lamps (BA.4481676)	
	0501486	Fan Motor, Evaporator (MO.4410702)		0480131		3 lamps (BA.4481654)	
	0501484	Fan Blade (FB.4780657)		0480132		4 lamps (BA.4481677)	
	25W Energy Efficient	Fan Assembly	(1)	E.		Fluorescent Lamp	(5)
	0501485	Fan Motor, Evaporator (MO.4410701)				<i>Replace with like fixtures</i>	
	0501484	Fan Blade (FB.4780657)		LED FIXTURES AND POWER SUPPLY			
THERMOSTATS				F.	0501213	Power Supply (EP.4481861)	(6)
B.	0411744	Standard Non-adjustable Defrost Thermostat (CT.0411744)	(2)	G.		LED Canopy Fixture	(7)
						<i>Replace with like fixtures — See Page 5.</i>	
C.		Optional Adjustable Refrigeration Thermostat	(3)	H.		LED Shelf Fixture	(8)
						<i>Replace with like fixtures — See Page 5.</i>	

Note: Revision F adds Btu note (page 3), EcoShine LED (page 4) and parts (page 5), and revises canopy wiring diagram (page 6). Other changes marked by bar, underline or circle.



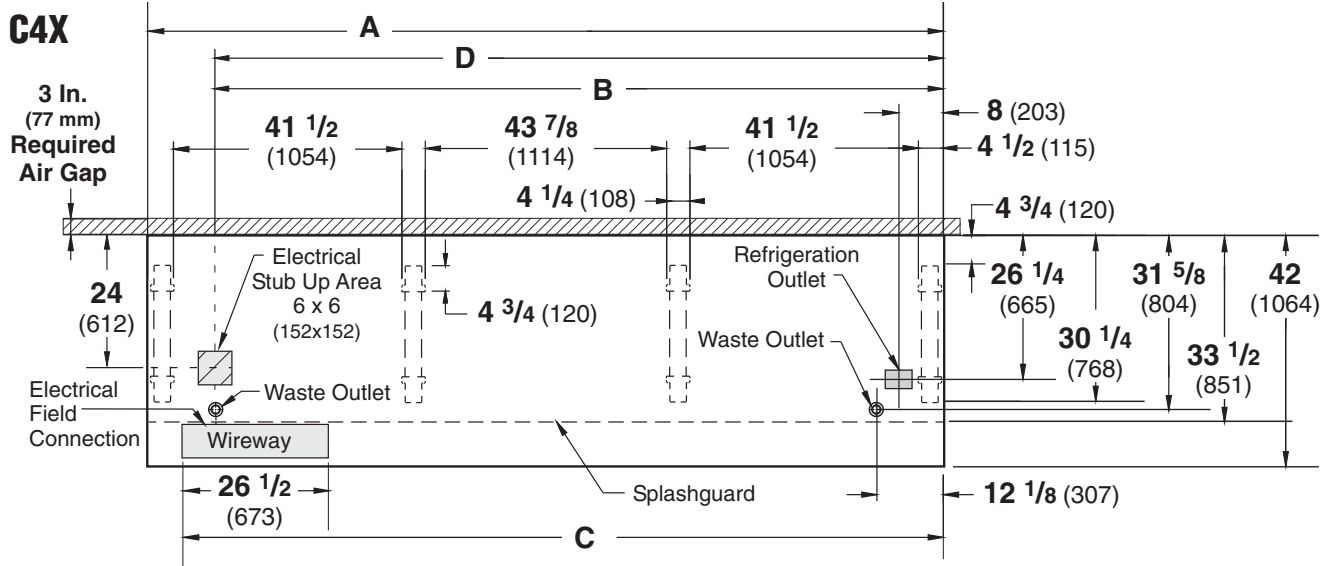
Engineering Plan Views

PHYSICAL DATA	
Merchandiser Drip Pipe (in.)	1 1/4
Merchandiser Liquid Line (in.)	3/8
Merchandiser Suction Line (in.)	7/8

Convertible

09-2005

Dimensions shown as in. and (mm).



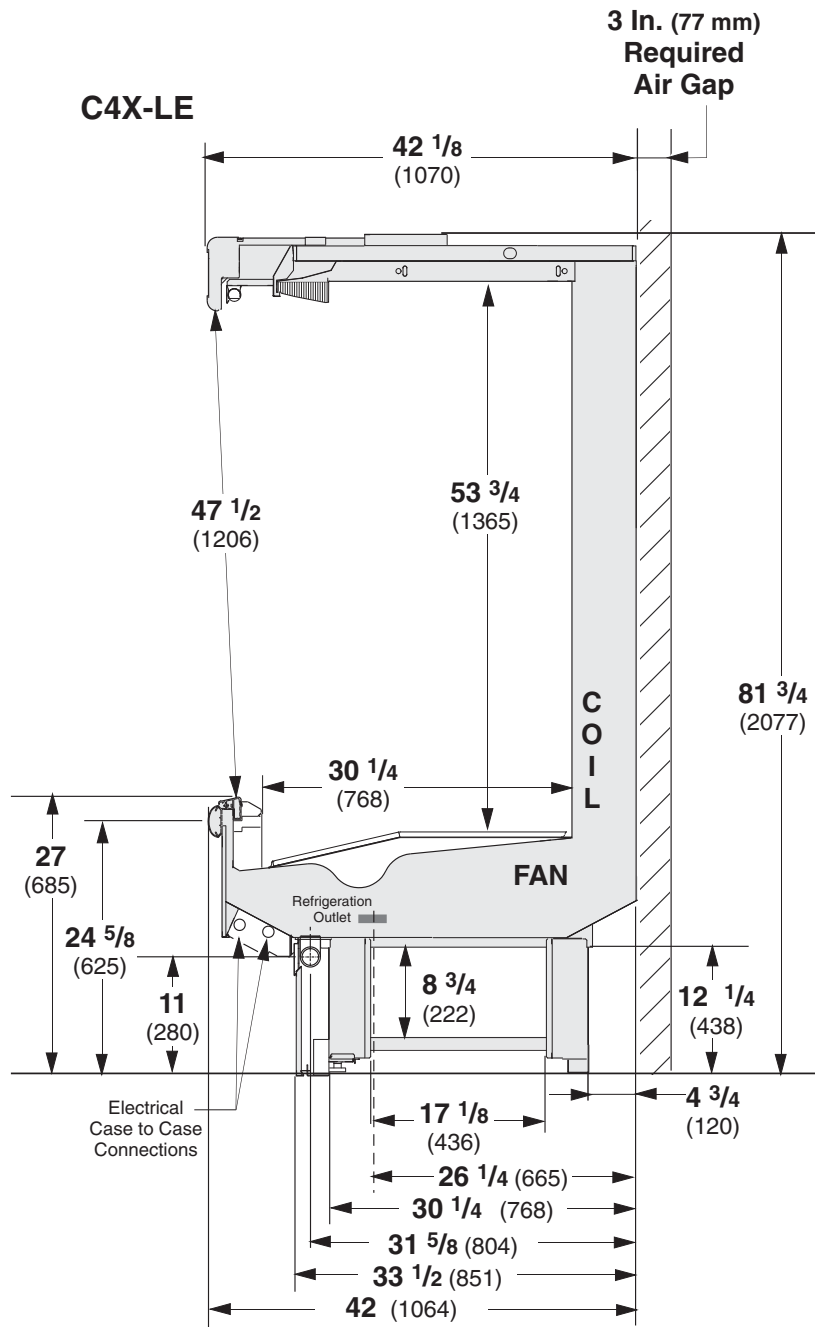
NOTE: Case-to-Case Electrical Connections are made IN FRONT OF SPLASHGUARD.

FRONT

	8 ft	12 ft
General		
(A) Case Length (<i>without ends or partitions</i>) (Each end and insulated partition adds 1 1/2 in. (38 mm) to case line up.) Maximum O/S dimension of case back to front (includes bumper)	96 3/8 (2448)	144 1/2 (3670)
Back of case to front of splashguard	42 (1064)	42 (1064)
Back of case to O/S edge of front leg	33 1/2 (851)	33 1/2 (851)
Distance between edges of external legs and center legs	30 1/4 (768)	30 1/4 (768)
Distance between edges of center legs	41 1/2 (1054)	41 1/2 (1054)
Distance between front legs and splashguard	NA	43 7/8 (1114)
	2 3/4 (70)	2 3/4 (70)
Electrical Service <input checked="" type="checkbox"/> (<i>Electrical Field Wiring connection point</i>)		
(B) RH End of case to center of stub up area	84 1/4 (2140)	132 3/8 (3363)
Back of case to center of stub up area	24 (612)	24 (612)
Length of electrical wireway <input type="checkbox"/> Wireway	26 1/2 (673)	26 1/2 (673)
(C) RH End of case to LH end of wireway	90 1/8 (2289)	138 1/4 (3511)
Waste Outlets (<i>One each end</i>) <input checked="" type="checkbox"/>		
(D) RH End of case to the center of LH waste outlet	84 1/4 (2140)	132 3/8 (3363)
RH End of case to the center of RH waste outlet	12 1/8 (307)	12 1/8 (307)
Back O/S of case to center of waste outlets	31 5/8 (804)	31 5/8 (804)
Schedule 40 PVC drip pipe	1 1/4 (32)	1 1/4 (32)
Refrigeration Outlet <input type="checkbox"/>		
Back of case to center of refrigeration outlet	26 1/4 (665)	26 1/4 (665)
RH end of case to center of refrigeration outlet	8 (203)	8 (203)

Multi-deck, 4 Display Levels, Low Front

Dimensions shown as in. and (mm).



NSF Certification

This merchandiser model is manufactured to meet ANSI/NSF (National Sanitation Foundation) Standard #7 requirements for construction, materials & cleanability.

Impact Excel C4X-LE
Meat, Produce, Dairy & Delicatessen

REFRIGERATION DATA

Note: This data is based on store temperature and humidity that does not exceed 75°F and 55% R.H.

C4X-LE	Meat	Produce	Dairy
Discharge Air (°F)	29	31	31
Evaporator (°F)	21	24	24
Unit Sizing (°F)	19	22	22

Btu/hr/ft ‡ — *Unlit Shelves* ‡‡

C4X-LE‡‡	Parallel	Conventional
MEAT	1575	1670
PRODUCE	1540	1640
DAIRY	1425	1510

‡ Optional energy efficient motors reduce the refrigeration load by 46 Btu/hr/ft .
‡‡ Add 10 Btu/hr/ft *per shelf row* for LED fixtures.
Add 20 Btu/hr/ft *per shelf row* for fluorescent lamps.

DEFROST DATA

	C4X-LE
Frequency Hr	6
Defrost Water (lb/ft/day)	8

(± 15% based on case configuration and product loading).

OFFTIME	C4X-LE
Temp Term °F	48
Failsafe Minutes	30

ELECTRIC OR GAS Not Recommended

Standard Defrost Thermostat

Close on rise: close 48°F — open 33°F

CONVENTIONAL CONTROLS

Low Pressure Backup Control

CI/CO*	C4X-LE		
	Meat	Produce	Dairy
	14°F / 4°F	17°F / 7°F	17°F / 7°F

Indoor Unit Only, Pressure Defrost

Termination* 48°F

*Use a Temperature Pressure Chart to determine PSIG conversions.

Estimated Charge **	C4X-LE		
8 ft	3.2 lb	51 oz	1.5 kg
12 ft	4.5 lb	72 oz	2.0 kg

**This is an average for all refrigerant types. Actual refrigerant charge may vary by approximately half a pound.

Impact *Excel* C4X-LE
Meat, Produce, Dairy & Delicatessen

Electrical Data

			8 ft	12 ft		
Number of Fans—25W			2	3		
			Amperes		Watts	
			8 ft	12 ft	8 ft	12 ft
Evaporator Fan						
120V 60Hz Standard			2.46	3.69	180	270
120V 50Hz Standard			2.66	3.99	206	309
230V 60Hz Export			1.32	1.98	200	300
230V 50Hz Export			1.52	2.28	228	342
120V 60Hz Energy Efficient			1.20	1.80	72	108
230V 60Hz Energy Efficient			0.60	0.90	72	108
Minimum Circuit Ampacity						
120V 60Hz Standard			2.66	3.89		
120V 50Hz Standard			2.86	4.19		
230V 60Hz Export			1.52	2.18		
230V 50Hz Export			1.72	2.48		
120V 60Hz Energy Efficient			1.40	2.00		
230V 60Hz Energy Efficient			0.80	1.10		
Maximum Over Current Protection 120V			20	20		
Maximum Over Current Protection 230V			15	15		
Standard Lighting (T-8 Fluorescent)						
1 Row Canopy			0.51	0.77	59	85
Optional Lighting (T-8 Fluorescent)						
Additional 1 Row Canopy			0.51	0.77	59	85
Additional 2 Row Canopy			1.02	1.54	118	170
Additional 3 Row Canopy			1.53	2.31	177	255
1 Row Rail Light			0.51	0.77	59	85
3 Rows of Shelves			1.53	2.31	177	255
4 Rows of Shelves			2.04	3.08	236	340
5 Rows of Shelves			2.55	3.85	295	425
EcoShine Multi-deck Canopy Normal (CRI) — 120VAC, 50/60Hz						
2 Row Canopy (Front & Rear)			0.55	0.82	66	98
3 Rows of Shelves			0.58	0.88	70	105
4 Rows of Shelves			0.78	1.17	93	140
5 Rows of Shelves			0.97	1.45	116	174
EcoShine Multi-deck Canopy High CRI — 120VAC, 50/60Hz						
2 Row Canopy (Front & Rear)			0.63	0.93	75	112
3 Rows of Shelves			0.70	1.05	84	126
4 Rows of Shelves			0.93	1.40	112	168
5 Rows of Shelves			1.17	1.75	140	210
Optional Always*Bright LED Canopy Lighting						
2 Row Canopy			0.71	1.08	85	130
3 Row of Shelves			0.74	1.11	89	133
4 Rows of Shelves			0.93	1.40	112	168
5 Rows of Shelves			1.13	1.69	136	203

120V Lighting Circuit Total = Standard Lighting + Total Optional Lighting + Optional Shelf Lighting
 230V Lighting Circuit Total = Multiply 120V Lighting Circuit Total by 0.52

Product Data

<i>Recommended Usable Cube</i> ¹ (Cu Ft/Ft)	8.51 ft ³ /ft (0.79 m ³ /m)
<i>AHRI Total Display Area</i> ² (Sq Ft/Ft)	4.12 ft ² /ft (1.26 m ² /m)
<i>Shelf Area</i> ³ (Sq Ft/Ft)	8.05 ft ² /ft (2.45 m ² /m)

¹ AHRI Refrigerated Volume less shelving and other unusable space: Refrigerated Volume/Unit of Length, ft³/ft [m³/m]
² Computed using AHRI 1200 standard methodology: Total Display Area, ft² [m²]/Unit of Length, ft [m]
³ Shelf surface area is composed of bottom deck plus standard shelf complement, as shown in the Hussmann *Product Reference Guide*. The standard shelf complement for this model is (3) rows of 22-inch shelves.

ESTIMATED SHIPPING WEIGHT ⁴			
Case	8 ft		Solid End
	12 ft		(each)
lb (kg)	1000 (454)	1200 (544)	100 (45)

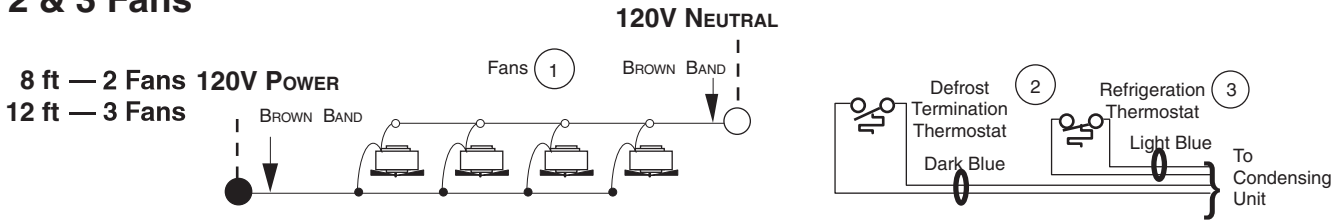
⁴ Actual weights will vary according to optional kits included.

PARTS LIST (Continued from Page 1)								
Item	Part #	Description			Item	Part #	Description	
LED FIXTURES AND POWER SUPPLY								
F.	0501213	Power Supply (EP.4481861)		(6)	G.	(CONTINUED) EcoShine LED Canopy Fixture		
					4441713	Rear	36-inch 2900K HCRI	
					4441715	Rear	36-inch 3500K HCRI	
G.	EcoShine LED Canopy Fixture			(7)	4441717	Rear	36-inch 3500K	
	4441720	Front	48-inch	2900K HCRI	4441719	Rear	36-inch 4100K	
	4441722	Front	48-inch	3500K HCRI				
	4441724	Front	48-inch	3500K	H.	EcoShine LED Shelf Fixture		
	4441726	Front	48-inch	4100K			(8)	
	4441721	Rear	48-inch	2900K HCRI	4441590	48-inch	2900K HCRI	
	4441723	Rear	48-inch	3500K HCRI	4441591	48-inch	3500K HCRI	
	4441725	Rear	48-inch	3500K	4441592	48-inch	3500K	
	4441727	Rear	48-inch	4100K	4441593	48-inch	4100K	
	4441712	Front	36-inch	2900K HCRI	4441586	36-inch	2900K HCRI	
	4441714	Front	36-inch	3500K HCRI	4441587	36-inch	3500K HCRI	
	4441716	Front	36-inch	3500K	4441588	36-inch	3500K	
	4441718	Front	36-inch	4100K	4441589	36-inch	4100K	

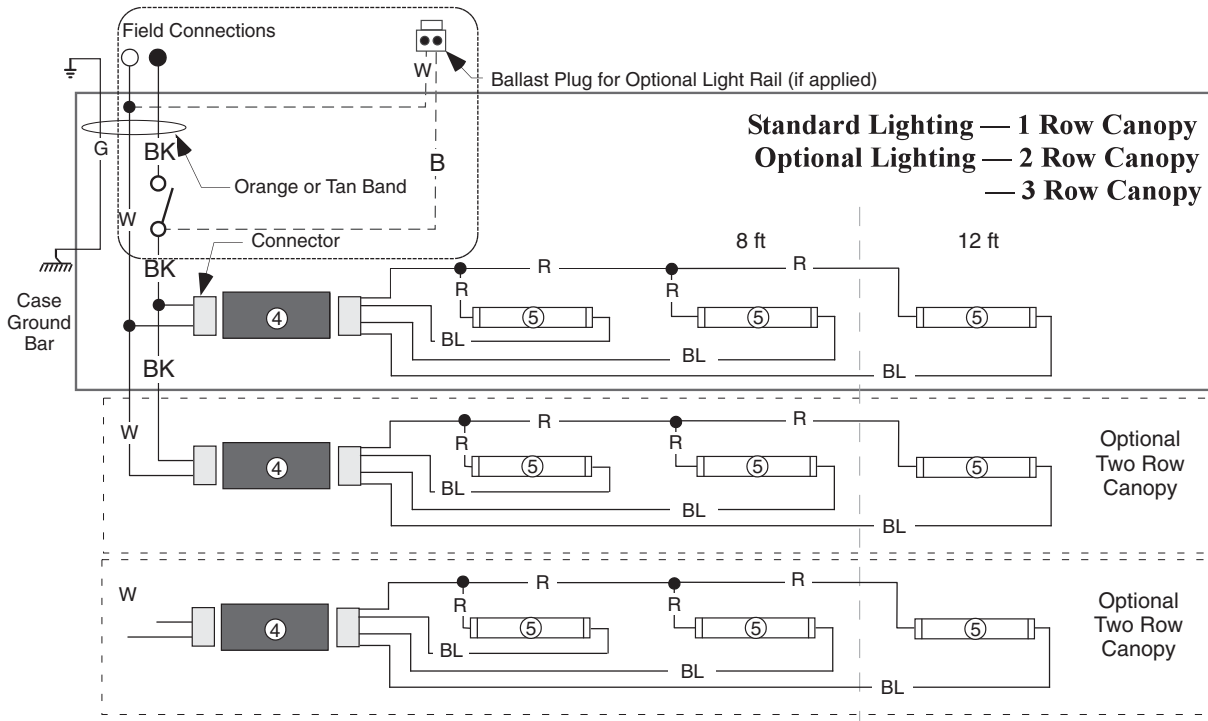
Note: Always*Bright lamps will be replaced with the latest generation of EcoShine lamps.

Fan Wiring Offtime Defrost

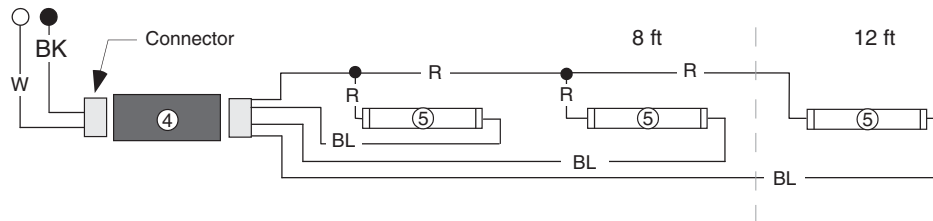
2 & 3 Fans



Canopy Light Circuits Fluorescent Fixtures



Optional Lighting — 1 Row Rail



WARNING

All components must have mechanical ground, and the merchandiser must be grounded.

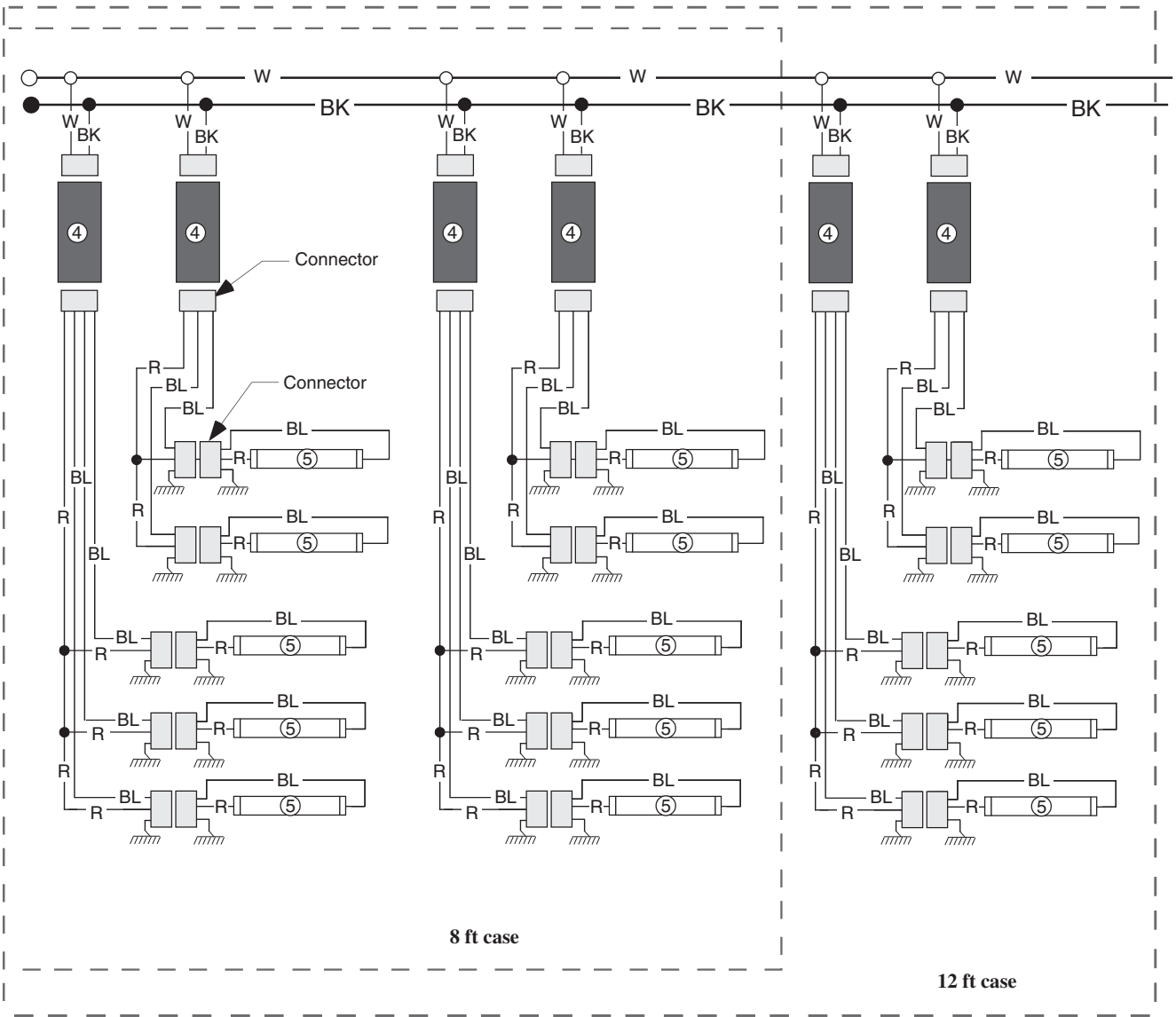
CIRCLED NUMBERS = PARTS LIST ITEM NUMBERS

R = Red Y = Yellow G = Green BL = Blue BK = Black W = White

● = 120V POWER ○ = 120V NEUTRAL ⊥ = FIELD GROUND ≡ = CASE GROUND

Optional Shelf Lighting Fluorescent Fixtures

Optional Shelf Harness and Light Circuits for Five Rows of Shelves



WARNING

All components must have mechanical ground, and the merchandiser must be grounded.

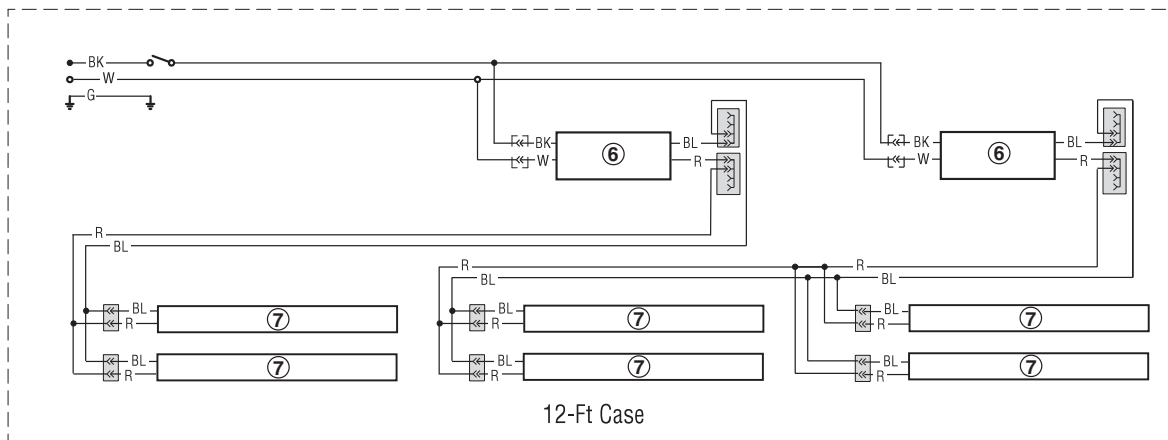
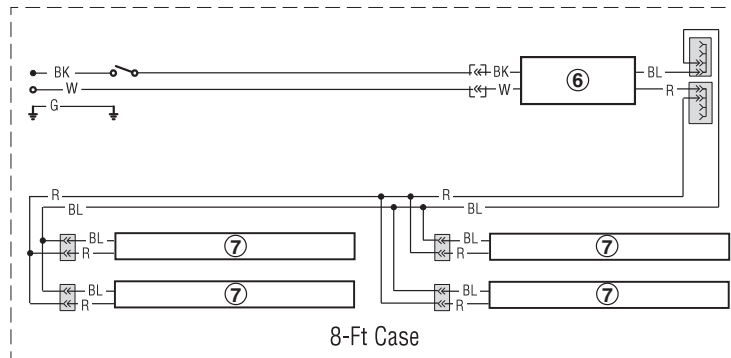
CIRCLED NUMBERS = PARTS LIST ITEM NUMBERS

R = Red Y = Yellow G = Green BL = Blue BK = Black W = White

● = 120V POWER ○ = 120V NEUTRAL ⚡ = FIELD GROUND ▨ = CASE GROUND

Optional Canopy Lighting LED Fixtures

Standard LED Canopy Lighting — 2 Row Canopy



WARNING

All components must have mechanical ground, and the merchandiser must be grounded.

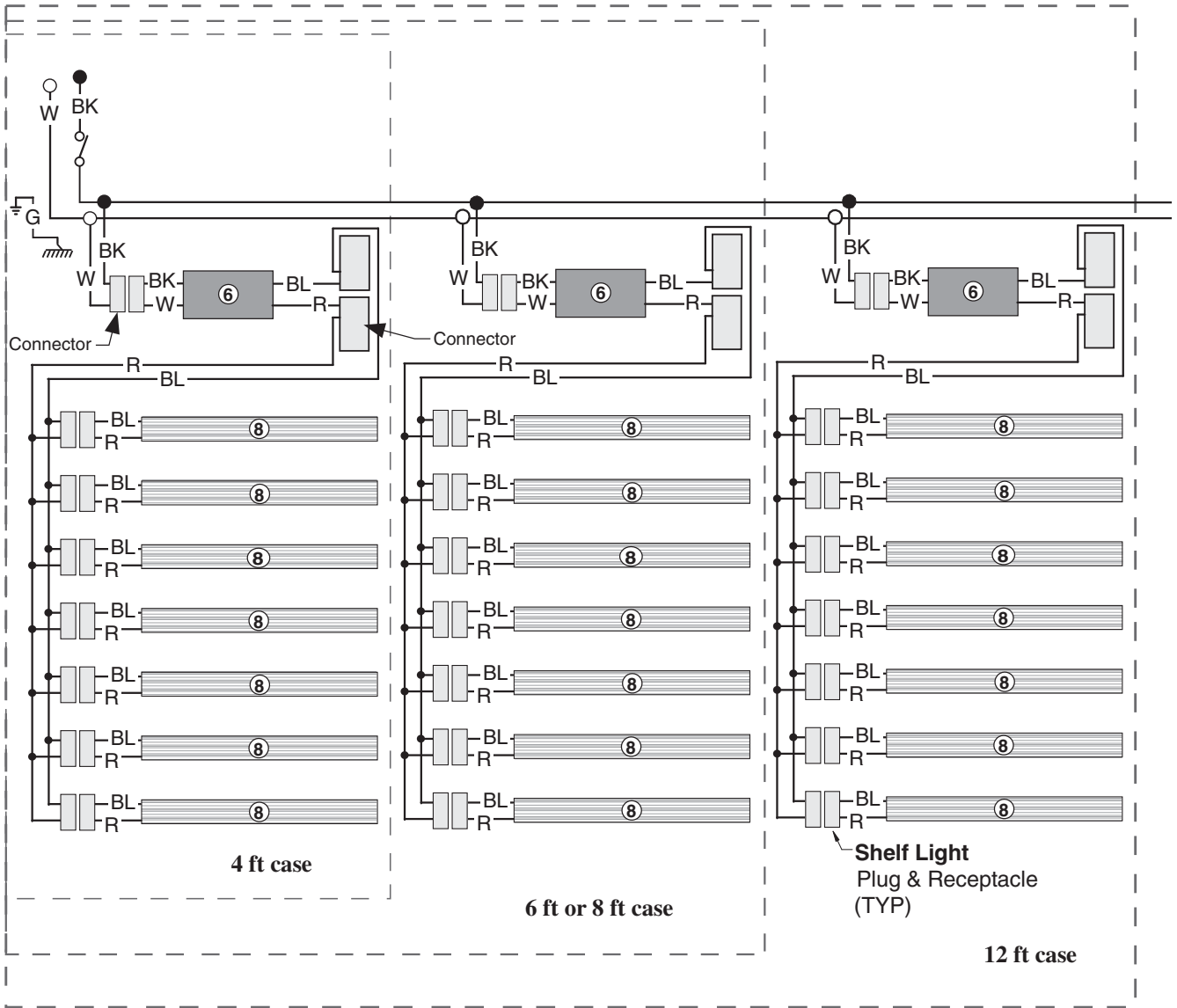
CIRCLED NUMBERS = PARTS LIST ITEM NUMBERS

R = Red Y = Yellow G = Green BL = Blue BK = Black W = White

● = 120V POWER ○ = 120V NEUTRAL \perp = FIELD GROUND $\text{---}\text{---}\text{---}$ = CASE GROUND

Optional Shelf Lighting LED Fixtures

Optional Shelf Harness and LED Light Circuits for 3, 4, 5, 6 & 7 Rows of Shelves



WARNING

All components must have mechanical ground, and the merchandiser must be grounded.

CIRCLED NUMBERS = PARTS LIST ITEM NUMBERS

R = Red G = Green BL = Blue BK = Black W = White

● = 120V POWER ○ = 120V NEUTRAL ⚡ = FIELD GROUND ⚡ = CASE GROUND