

We reserve the right to change or revise specifications and product design in connection with any feature of our products. Such changes do not entitle the buyer to corresponding changes, improvements, additions or replacements for equipment previously sold or shipped.

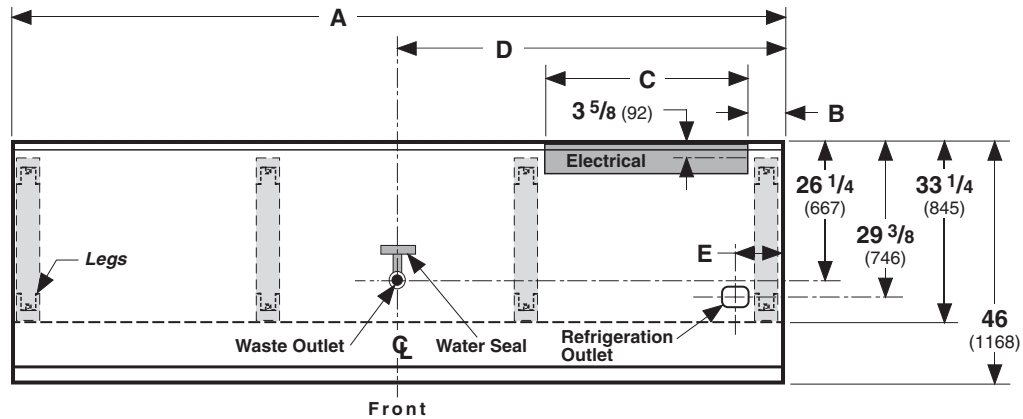
Item	Part #	Description	Wiring Item #	Item	Part #	Description	Wiring Item #
FAN ASSEMBLIES AND THERMOSTATS				HEATERS			
A.	0392457	Fan Motor, Evaporator (120V) (MO.4410101)	(1)	E.	0460453	Heater, Ambient (120V) (HE.4850579)	(5)
	0409511	Fan Blade (120V) (FB.0409511) embossing toward motor		E.	0461866	Heater, Ambient (230V) (HE.4850646)	(6)
	0436517	Fan Motor, Evaporator (230V) (MO.4410105)		LAMPS AND BALLASTS			
	0409512	Fan Blade (230V) (FB.0409512) embossing toward motor		F.	0355716	Ballast, Electronic, 2 lamps (120V) (BA.0355716)	(7)
B.	0404551	Fan Motor, Ambient (120V) (MO.0404551)	(2)	F.	0355398	Ballast, Electronic, 3 lamps (120V) (BA.4480118)	(8)
	0404552	Fan Motor, Ambient (230V) (MO.4410590)		F.	0440215	Ballast, Electronic, 2 lamps (230V 50-60 Hz) (BA.4481267)	(7)
C.	<u>0382028</u>	Standard Non-adjustable Defrost Thermostat (CT.0382028)	(3)	F.	0428652	Ballast, Electronic, 3 lamps (230V 50-60 Hz) (BA.4480897)	(8)
D.	Optional Adjustable Refrigeration Thermostat(4) 0353949 (CT.4481087)			G.	0385104	Ballast Transformer (230V 50-60 Hz, per ballast) (TR.4481191)	
				G.		Fluorescent Lamp (Replace with like fixtures)	(9)

Note: Revision B added the After Market numbers and changed the interior height of the case on Page 3.

Engineering Plan Views

Elite Meat & Delicatessen Straight Hinged Glass Models

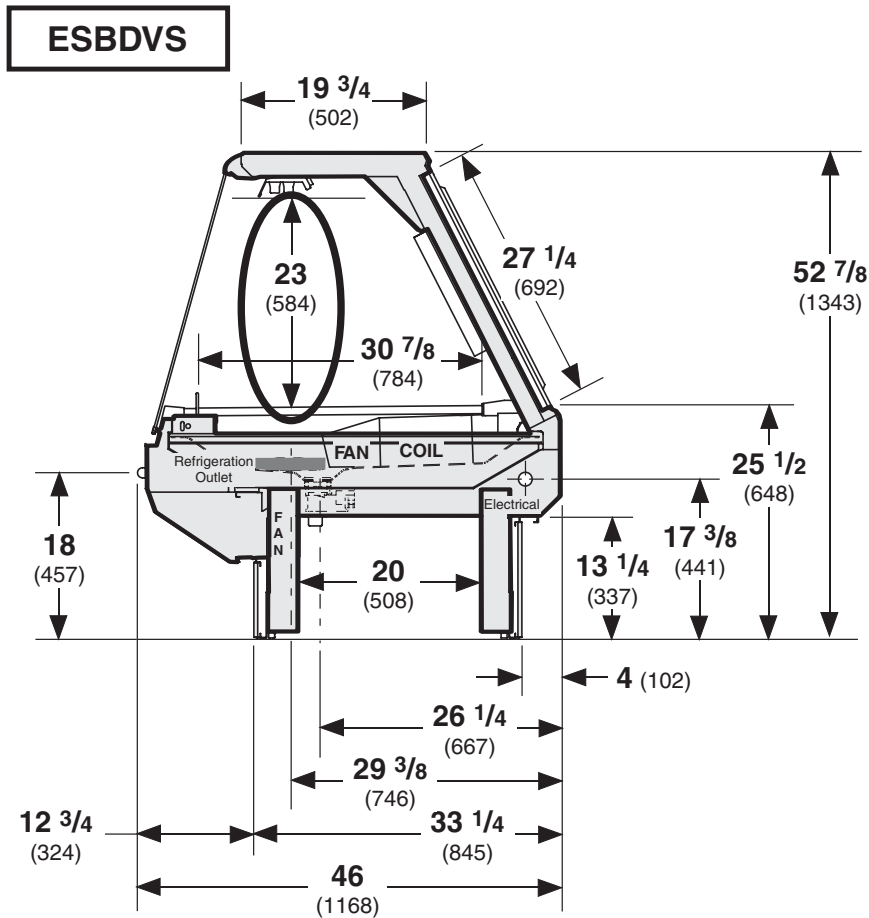
Dimensions shown as in. and (mm).



	4 ft	6 ft	8 ft	12 ft
General				
(A) Case Length (<i>without ends or partitions</i>)	48 1/4 (1226)	72 3/8 (1838)	96 3/8 (2448)	144 1/2 (3670)
Maximum O/S dimension back to front (<i>with bumper</i>)	46 (1168)	46 (1168)	46 (1168)	46 (1168)
Back of case to front of front panel	33 1/4 (845)	33 1/4 (845)	33 1/4 (845)	33 1/4 (845)
RH end of case to outside edge of external support	1 5/8 (41)	1 5/8 (41)	1 5/8 (41)	1 5/8 (41)
Distance between edges of external support and center support	NA	28 1/2 (724)	40 5/8 (1032)	40 5/8 (1032)
Distance between edges of center supports	NA	NA	NA	44 (1118)
Distance between edges of external supports	37 (940)	NA	NA	NA
Electrical Service (<i>Electrical Field Wiring connection point</i>)				
(C) Length of electrical raceway	38 3/4 (984)	29 5/8 (752)	41 3/4 (1060)	41 3/4 (1060)
RH End of case to center of farthest knockout	10 3/8 (264)	10 (254)	10 1/4 (260)	10 1/4 (260)
Back of case to center of end knockout	3 5/8 (92)	3 5/8 (92)	3 5/8 (92)	3 5/8 (92)
(B) RH End of case to RH end of raceway	5 (127)	5 (127)	5 (127)	5 (127)
Waste Outlet				
(D) RH End of case to the center of waste outlet	24 (610)	24 1/8 (613)	24 1/8 (613)	72 1/4 (1835)
LH End of case to the center of waste outlet	24 1/4 (616)	48 1/4 (1226)	72 1/4 (1835)	72 1/4 (1835)
Back O/S of case to center of waste outlet	26 1/4 (667)	26 1/4 (667)	26 1/4 (667)	26 1/4 (667)
Water Seal				
Edge of water seal to center of waste outlet	4 (102)	4 (102)	4 (102)	4 (102)
Outside diameter of the drip pipe	1 1/2 (38)	1 1/2 (38)	1 1/2 (38)	1 1/2 (38)
<i>(Field installed water seal outlets, tees, and connectors are shipped with the merchandiser.)</i>				
Refrigeration Outlet				
Back of case to center of refrigeration outlet	29 3/8 (746)	29 3/8 (746)	29 3/8 (746)	29 3/8 (746)
(E) RH end of case to center of refrigeration outlet	8 1/4 (210)	8 1/4 (210)	8 1/4 (210)	8 1/4 (210)

Impact Elite ESDVVS
Meat & Delicatessen

Dimensions shown as in. and (mm).



REFRIGERATION DATA

Note: This data is based on store temperature and humidity that does not exceed 75°F and 55% R.H.

	ESBDVVS
Discharge Air (°F)	25
Evaporator (°F)	20
Unit Sizing (°F)	18
Btu/hr/ft	ESBDVVS
Parallel	315
Conventional	380

DEFROST DATA

	ESBDVVS
Frequency (hr)	12
Defrost Water (lb/ft/day)	0.5
<i>(± 15% based on case configuration and product loading).</i>	

OFFTIME	ESBDVVS
Temp Term (°F)	43
Failsafe (minutes)	90
ELECTRIC OR GAS	Not Recommended

Standard Defrost Thermostat
Close on rise: close 43°F — open 33°F

CONVENTIONAL CONTROLS

Low Pressure Backup Control	ESBDVVS
CI/CO (Temp °F)*	13
Indoor Unit Only, Pressure Defrost Termination (Temp °F)*	Not Recommended

*Use a Temperature Pressure Chart to determine PSIG conversions.

PHYSICAL DATA

Merchandiser Drip Pipe (in.)	1 1/2
Merchandiser Liquid Line (in.)	3/8
Merchandiser Suction Line (in.)	5/8

Estimated Charge (lb)**	
4 ft	0.8
6 ft	1.2
8 ft	1.5
12 ft	2.0

**This is an average for all refrigerant types. Actual refrigerant charge may vary by approximately half a pound.

Length Added to Lineup by Each End and Partition	1 in.
---	-------

NSF Certification

These merchandisers are manufactured to meet ANSI /National Sanitation Foundation (NSF®) Standard #7 requirements.

Impact Elite **ESBDVS** Meat & Delicatessen

Electrical Data

	4 ft	6 ft	8 ft	12 ft
Number of Fans				
Refrigeration (120V 60hz) – 4W	1	2	2	3
Ambient Air Wipe – 15W	2	4	4	6
Export Refrigeration (230V 50 hz) – 4W	1	2	2	3
Export Ambient Air Wipe – 15W	2	4	4	6

Merchandise	Amperes				Watts			
	4 ft	6 ft	8 ft	12 ft	4 ft	6 ft	8 ft	12 ft
Refrigeration Fans								
Standard (120V 60hz)	0.31	0.62	0.62	0.93	24	48	48	72
Energy Efficient (120V 60hz)	0.14	0.28	0.28	.42	10	20	20	30
Export (230V 50 hz)	0.18	0.36	0.36	0.56	27	54	54	81
Ambient Air Wipe Fans								
Standard (120V 60hz)	0.52	1.04	1.04	1.56	45	90	90	135
Export (230V 50 hz)	0.30	0.60	0.60	0.90	50	100	100	150

Constant-on Anti-Sweat Heaters (On/Off Switch Optional)

Standard (120V 60hz)	3.34	6.68	6.68	10.02	400	800	800	1200
Export (230V 50 hz)	1.74	3.48	3.48	5.22	400	800	800	1200

Minimum Circuit Ampacity

With Standard Fans (120V 60hz)	3.95	7.69	7.69	11.44
With Energy Efficient Fans (120V 60hz)	3.78	7.35	7.35	10.93
With Export Fans (230V 50 hz)	2.20	4.20	4.20	6.21

Maximum Over Circuit Protection 120V 20

Maximum Over Circuit Protection 230V 15

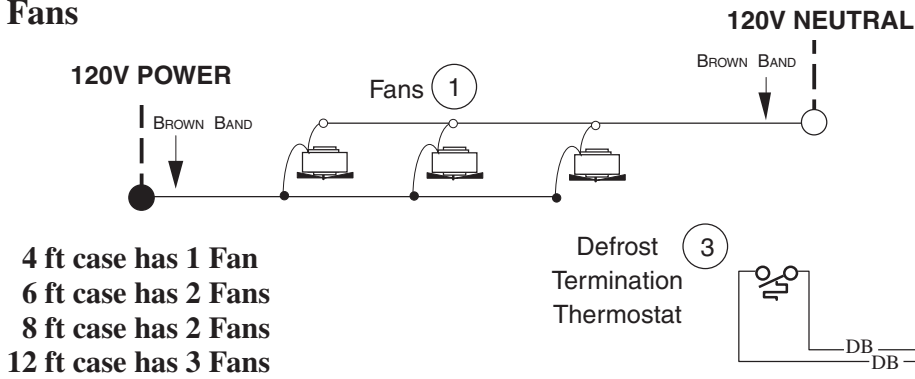
Standard Lighting* (120V 60hz)	4 ft	6 ft	8 ft	12 ft	4 ft	6 ft	8 ft	12 ft
2 Row Canopy	0.49	0.98	0.98	1.42	59	118	118	171

Optional Lighting

1 Row Rail	0.49	0.49	0.49	0.71	59	59	59	86
1 Row Ledge	0.49	0.49	0.49	0.71	59	59	59	86
1 Row Shelves	0.49	0.49	0.49	0.71	59	59	59	86
2 Row Shelves	0.49	0.98	0.98	1.42	59	118	118	171

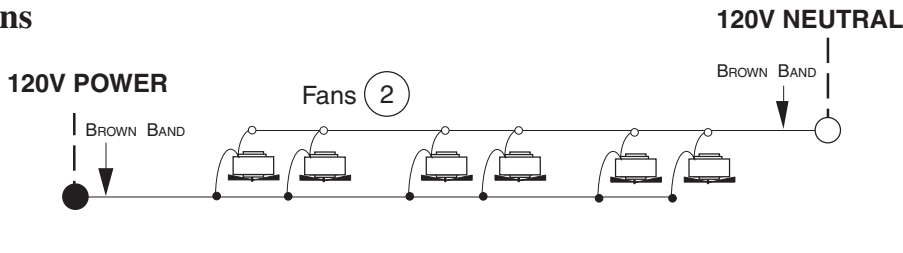
***230V lighting values are under review.**

Fans



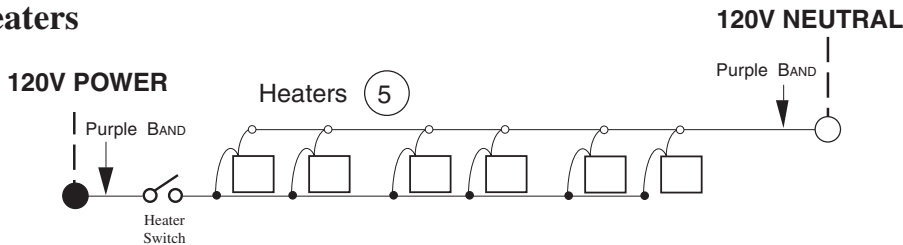
Fan Wiring Offtime Defrost

Fans



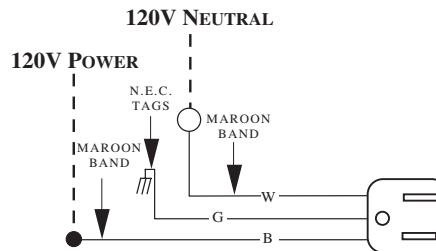
Ambient Fan Wiring Glass Air Wipe

Heaters



Ambient Heater Wiring

Electric Service Receptacle



Receptacles

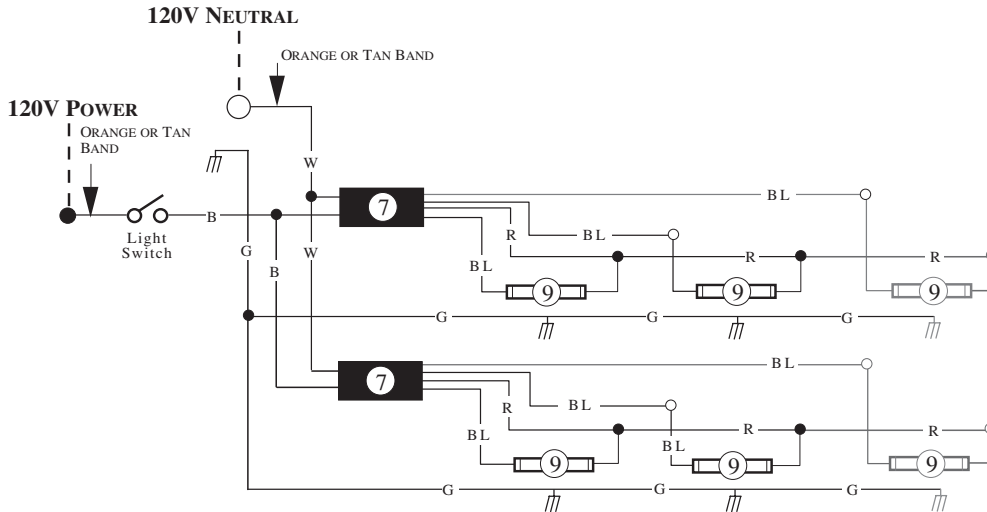
WARNING

All components must have mechanical ground, and the merchandiser must be grounded.
Circled Numbers = Parts List Item Numbers
Grayed components in 12 foot models only.

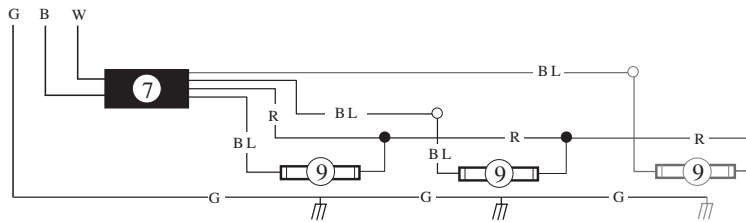
R = Red G = Green BL = Blue LB = Light Blue DB = Dark Blue B = Black W = White
● = 120V POWER ○ = 120V NEUTRAL ≡ = Field GROUND ≡ = Case GROUND

Light Circuits

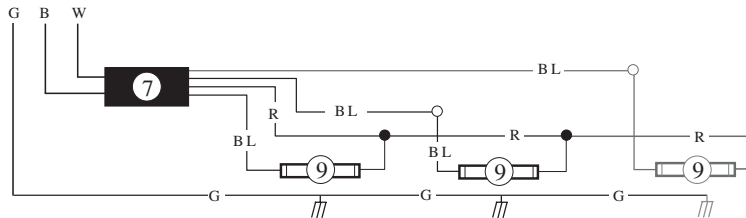
Standard Lighting 2 Row Canopy



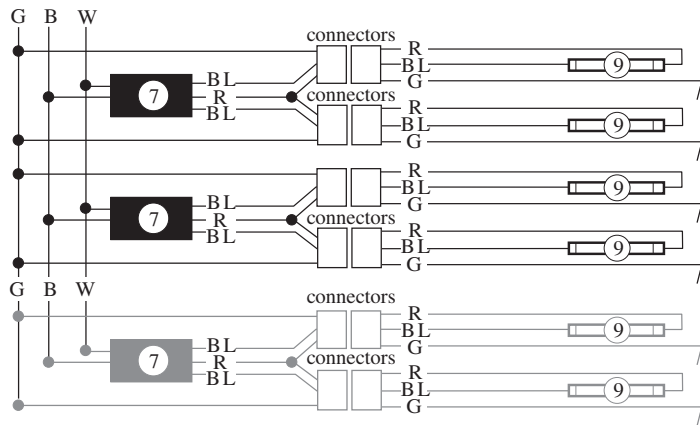
Optional Rail Light Circuit



Optional Ledge Light Circuit



Optional Shelf Harness and Light Circuits



WARNING

All components must have mechanical ground, and the merchandiser must be grounded.

Circled Numbers = Parts List Item Numbers

Grayed components in 12 foot models only.

R = Red G = Green BL = Blue B = Black W = White

● = 120V POWER ○ = 120V NEUTRAL ≡ = Field GROUND ≡ = Case GROUND