

We reserve the right to change or revise specifications and product design in connection with any feature of our products. Such changes do not entitle the buyer to corresponding changes, improvements, additions or replacements for equipment previously sold or shipped.

Item	Part #	Description	Wiring Item #	Item	Part #	Description	Wiring Item #
FAN ASSEMBLIES AND THERMOSTATS				LAMPS AND BALLASTS			
A.	0522287	Fan Motor, Ambient (120V)	(1)		0385104	Ballast Transformer (230V 50-60 Hz, per ballast)	
	0404552	Fan Motor, Ambient (230V)		D.		Fluorescent Lamp	(5)
B.	0353949	Optional Adjustable Refrigeration Thermostat	(2)			<i>Replace with like fixtures</i>	
LAMPS AND BALLASTS				LED FIXTURES AND POWER SUPPLY			
C.		Electronic Ballast		E.	0501213	Power Supply	(6)
	0355716	2 lamps (120V)	(3)	F.		LED Canopy Fixture	(7)
	0355398	3 lamps (120V)	(4)			<i>Replace with like fixtures</i>	
	0440215	2 lamps (230V 50-60 Hz)	(3)	G.		LED Rail Fixture	(8)
	0428652	3 lamps (230V 50-60 Hz)	(4)			<i>Replace with like fixtures</i>	

Data sheet-Elite-ESGMVS

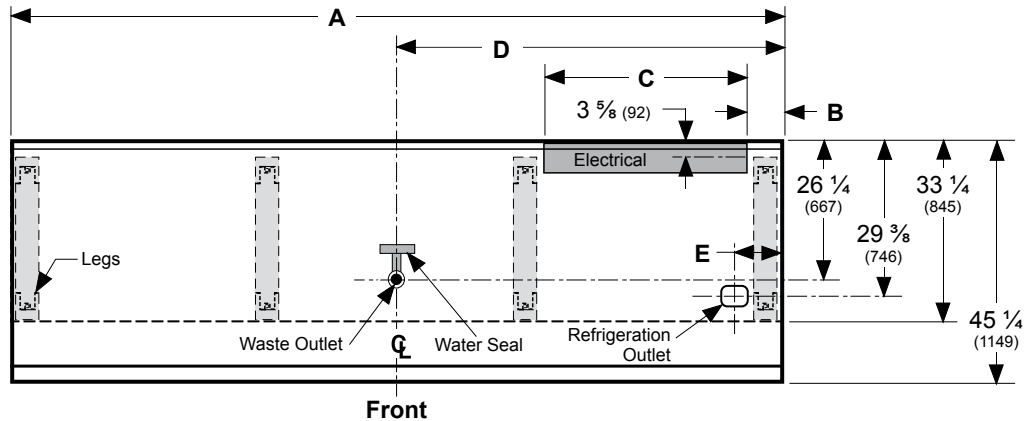
Note: Revision E: Added high glide refrigerant note. Other changes marked by bar, underline or circle.

Engineering Plan Views

PHYSICAL DATA	
Merchandiser Drip Pipe (in.)	1 1/2
Merchandiser Liquid Line (in.)	3/8
Merchandiser Suction Line (in.)	5/8

Elite Vertical Hinged Glass Meat & Delicatessen

Dimensions shown as in. and (mm).



	4 ft	6 ft	8 ft	12 ft
General				
(A) Case Length <i>(without ends or partitions)</i> <i>(Each end and insulated partition adds 1 in. (26 mm) to case line up.)</i>	48 1/4 (1226)	72 3/8 (1838)	96 3/8 (2448)	144 1/2 (3670)
Maximum O/S dimension back to front <i>(with bumper)</i>	46 (1168)	46 (1168)	46 (1168)	46 (1168)
Back of case to front of front panel	33 1/4 (845)	33 1/4 (845)	33 1/4 (845)	33 1/4 (845)
RH end of case to outside edge of external support	1 5/8 (41)	1 5/8 (41)	1 5/8 (41)	1 5/8 (41)
Distance between edges of external support and center support	NA	28 1/2 (724)	40 5/8 (1032)	40 5/8 (1032)
Distance between edges of center supports	NA	NA	NA	44 (1118)
Distance between edges of external supports	37 (940)	NA	NA	NA
Electrical Service <i>(Electrical Field Wiring connection point)</i>				
(C) Length of electrical raceway	38 3/4 (984)	29 5/8 (752)	41 3/4 (1060)	41 3/4 (1060)
RH End of case to center of farthest knockout	10 3/8 (264)	10 (254)	10 3/8 (264)	10 1/4 (260)
Back of case to center of end knockout	3 5/8 (92)	3 5/8 (92)	3 5/8 (92)	3 5/8 (92)
(B) RH End of case to RH end of raceway	5 (127)	5 (127)	5 (127)	5 (127)
Waste Outlet				
(D) RH End of case to the center of waste outlet	24 (610)	24 1/8 (613)	24 1/8 (613)	72 1/4 (1835)
LH End of case to the center of waste outlet	24 1/4 (616)	48 1/4 (1226)	72 1/4 (1835)	72 1/4 (1835)
Back O/S of case to center of waste outlet	26 1/4 (667)	26 1/4 (667)	26 1/4 (667)	26 1/4 (667)
Water Seal				
Edge of water seal to center of waste outlet	4 (102)	4 (102)	4 (102)	4 (102)
Outside diameter of the drip pipe	1 1/2 (38)	1 1/2 (38)	1 1/2 (38)	1 1/2 (38)
<i>(Field installed water seal outlets, tees, and connectors are shipped with the merchandiser.)</i>				
Refrigeration Outlet				
Back of case to center of refrigeration outlet	29 3/8 (746)	29 3/8 (746)	29 3/8 (746)	29 3/8 (746)
(E) RH end of case to center of refrigeration outlet	8 1/4 (210)	8 1/4 (210)	8 1/4 (210)	8 1/4 (210)

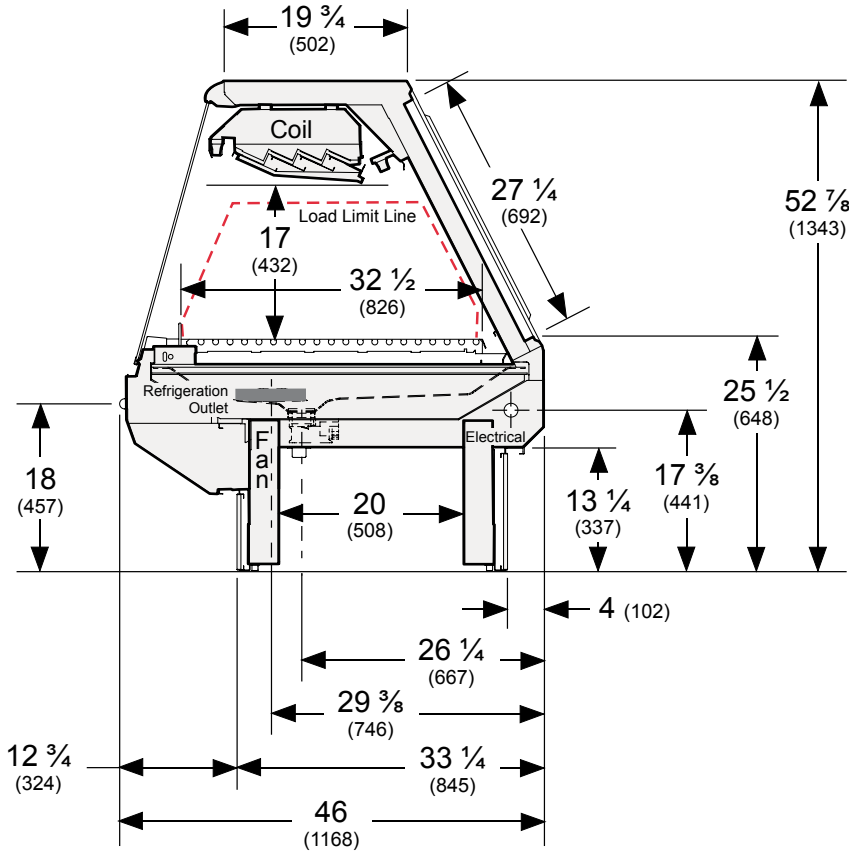
Elite Vertical Hinged Glass, Gravity Coil and Serpentine Coil,
Single Display Level

DOE 2017 Energy Efficiency Compliant Hussmann refrigerated merchandisers configured for sale for use in the United States meet or surpass the requirements of the DOE 2017 energy efficiency standards.



Dimensions shown as inches and (mm).

ESGMVS



Estimated Charge **		ESGMVS	
4 ft	0.8 lb	13 oz	0.4 kg
6 ft	1.2 lb	19 oz	0.5 kg
8 ft	1.5 lb	24 oz	0.7 kg
12 ft	2.0 lb	32 oz	0.9 kg

**This is an average for all refrigerant types. Actual refrigerant charge may vary by approximately half a pound (8 oz/0.2 kg).

NSF Certification

This merchandiser model is manufactured to meet NSF/ANSI (National Sanitation Foundation) Standard #7 requirements for construction, materials & cleanability.

REFRIGERATION DATA

Note: This data is based on store temperature and humidity that does not exceed 75°F and 55% R.H. Schedule defrost at night while lights are off.

	ESGMVS§
Discharge Air (°F)	27
Evaporator (°F)	22
Unit Sizing (°F)	20
§ Average evaporator temperature shown. Use dew point for high glide refrigerants for unit sizing. Care should be taken to use the dew point in PT tables for measuring and adjusting superheat. Adjust evaporator pressure as needed to maintain discharge air temperature shown.	
<i>Btu/hr/ft</i>	ESGMVS
Parallel	320
Conventional	350

DEFROST DATA

	ESGMVS
Frequency (hr)	24
Defrost Water (lb/ft/day)	0.65
(± 15% based on case configuration and product loading).	
	ESGMVS
OFFTIME (minutes)	75
Failsafe (minutes)	90

ELECTRIC OR GAS Not Recommended

CONVENTIONAL CONTROLS

Low Pressure Backup Control

	ESGMVS
C/CO (Temp °F)*	15 / 5
Indoor Unit Only, Pressure Defrost Termination(Temp °F)*	

Not Recommended

*Use a Temperature Pressure Chart to determine PSIG conversions.

Elite ESGMVS

Meat / Delicatessen

Electrical Data

Number of Fans	4 ft	6 ft	8 ft	12 ft				
Refrigeration	N/A							
Ambient Air Wipe – 15W	2	4	4	6				
Export Refrigeration	N/A							
Export Ambient Air Wipe – 4.5W	2	4	4	6				
		Amperes				Watts		
Merchandiser	4 ft	6 ft	8 ft	12 ft	4 ft	6 ft	8 ft	12 ft
Refrigeration Fans	N/A							
Ambient Air Wipe Fans								
Energy Efficient (120V 60Hz)	0.2	0.4	0.4	0.6	9	18	18	27
Export: 230V 50 Hz	0.30	0.60	0.60	0.90	50	100	100	150
Constant On Anti-sweat Heaters	N/A							
Cycling Anti-sweat Heaters	N/A							
Minimum Circuit Ampacity								
With Energy Efficient Fans (120V 60Hz)	0.13	0.25	0.25	0.38				
With Export Fans (230V 50 Hz)	0.50	0.80	0.80	1.10				
Maximum Over Circuit Protection 120V	20							
Maximum Over Circuit Protection 230V	15							

ONLY LIGHTING CONFIGURATIONS THAT ARE COMPLIANT WITH THE U.S. DEPT. OF ENERGY (DOE) 2017 REGULATION ARE AVAILABLE FOR SALE FOR USE IN THE U.S.A.

Standard Lighting (T8 Fluorescent)	4 ft	6 ft	8 ft	12 ft	4 ft	6 ft	8 ft	12 ft
2 Row Canopy	0.49	0.98	0.98	1.42	59	118	118	171
Optional Lighting (T8 Fluorescent)								
1 Row Ledge	0.49	0.49	0.49	0.71	59	59	59	86
1 Row Rail	0.49	0.49	0.49	0.71	59	59	59	86
EcoShine II IP67 LED								
Canopy 1 Row Front & Rear gravity	0.15	0.21	0.30	0.45	12.9	25.1	35.8	53.7
1 Row Rail	0.09	0.13	0.17	0.26	10.2	15.3	20.5	30.7

115V Lighting Circuit Total = Standard Lighting + Total Optional Lighting + Optional Shelf Lighting

120V LED Lighting Circuit Total = Canopy Lighting + Shelf Lighting + Rail Lighting

230V Lighting Circuit Total = Multiply 115V Lighting Circuit Total by 0.52

Please note: some combinations of fluorescent lights on this case model may not be compliant with DOE 2017 and may not be available to order in the US and Canada. More lighting options are available with LED lights. The Hussmann Product Configurator will not allow lighting options that do not comply with the DOE 2017 standards.

Product Data

<i>Recommended Usable Cube</i> ¹ (Cu Ft/Ft)	2.28 ft ³ /ft (0.21 m ³ /m)
<i>AHRI Total Display Area</i> ² (Sq Ft/Ft)	3.86 ft ² /ft (1.17 m ² /m)
<i>Shelf Area</i> ³ (Sq Ft/Ft)	4.08 ft ² /ft (1.24 m ² /m)

- ¹ AHRI Refrigerated Volume less shelving and other unusable space: Refrigerated Volume/Unit of Length, ft³/ft [m³/m]
² Computed using AHRI 1200 standard methodology: Total Display Area, ft² [m²]/Unit of Length, ft [m]
³ Shelf surface area is composed of bottom deck plus standard shelf complement, as shown in the Hussmann *Product Reference Guide*. The standard shelf complement for this model is NONE. Optional shelving complement is two rows: 1 row of 10-inch shelves and 1 row of 12-inch shelves.

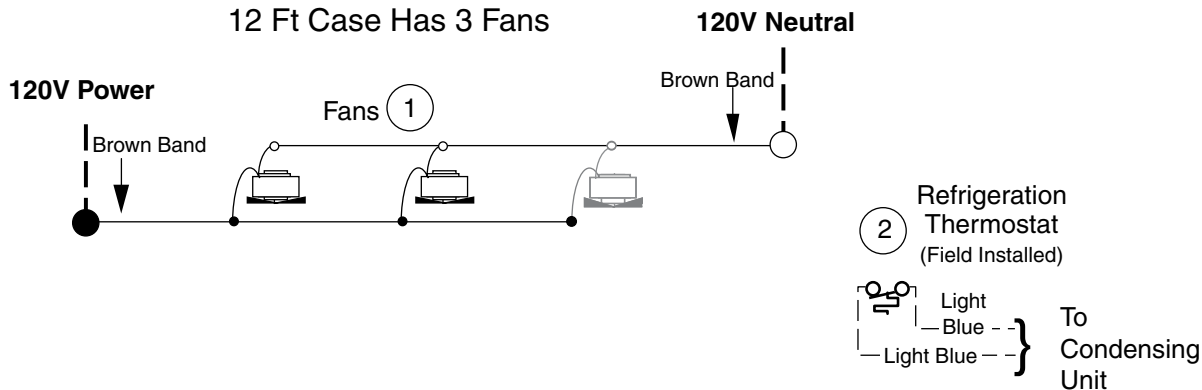
ESTIMATED SHIPPING WEIGHT ⁴					
Case	4 ft	6 ft	8 ft	12 ft	Solid End (each)
lb (kg)	600 (272)	700 (318)	1100 (499)	1200 (545)	100 (45)

⁴ Actual weights will vary according to optional kits included.

Ambient Fan Wiring Glass Air Wipe

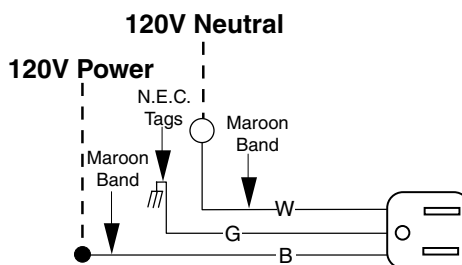
Offtime Defrost

Fans 4 Ft Case Has 1 Fan
 6 Ft Case Has 2 Fans
 8 Ft Case Has 2 Fans
 12 Ft Case Has 3 Fans



Receptacles

Electric Service Receptacle



WARNING

All components must have mechanical ground, and the merchandiser must be grounded.

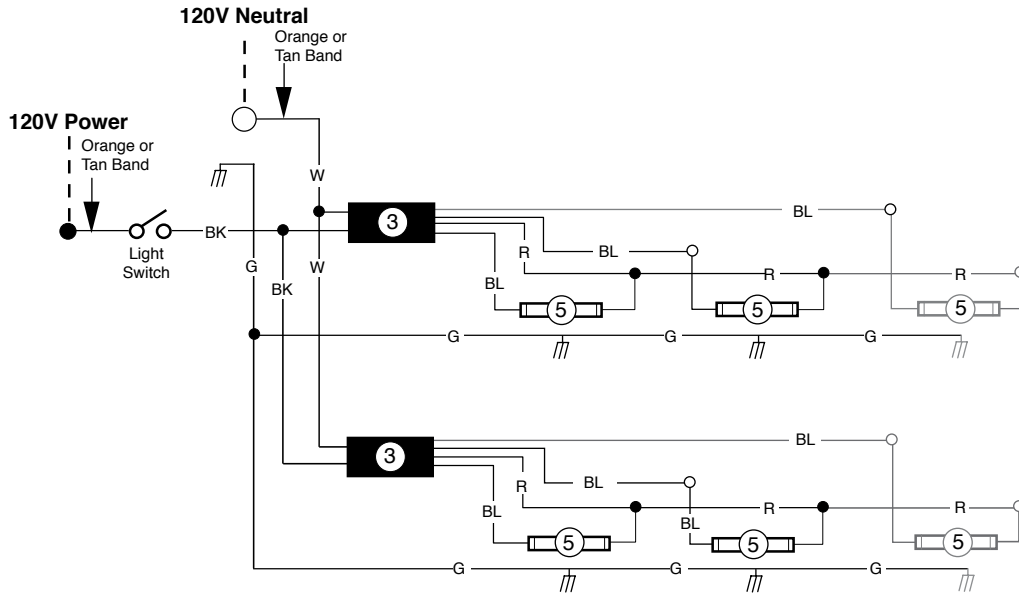
Circled Numbers = Parts List Item Numbers

Grayed components in 12 foot models only.

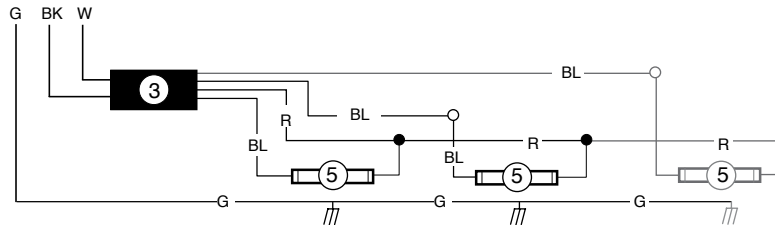
R = Red Y = Yellow G = Green BL = Blue LB = Light Blue DB = Dark Blue B = Black W = White

● = 120V Power ○ = 120V Neutral ⊥ = Field Ground ≡ = Case Ground

Standard Lighting – 2 Row Canopy



Optional Ledge Light Circuit or Optional Rail Light Circuit



WARNING

All components must have mechanical ground, and the merchandiser must be grounded.

Circled Numbers = Parts List Item Numbers

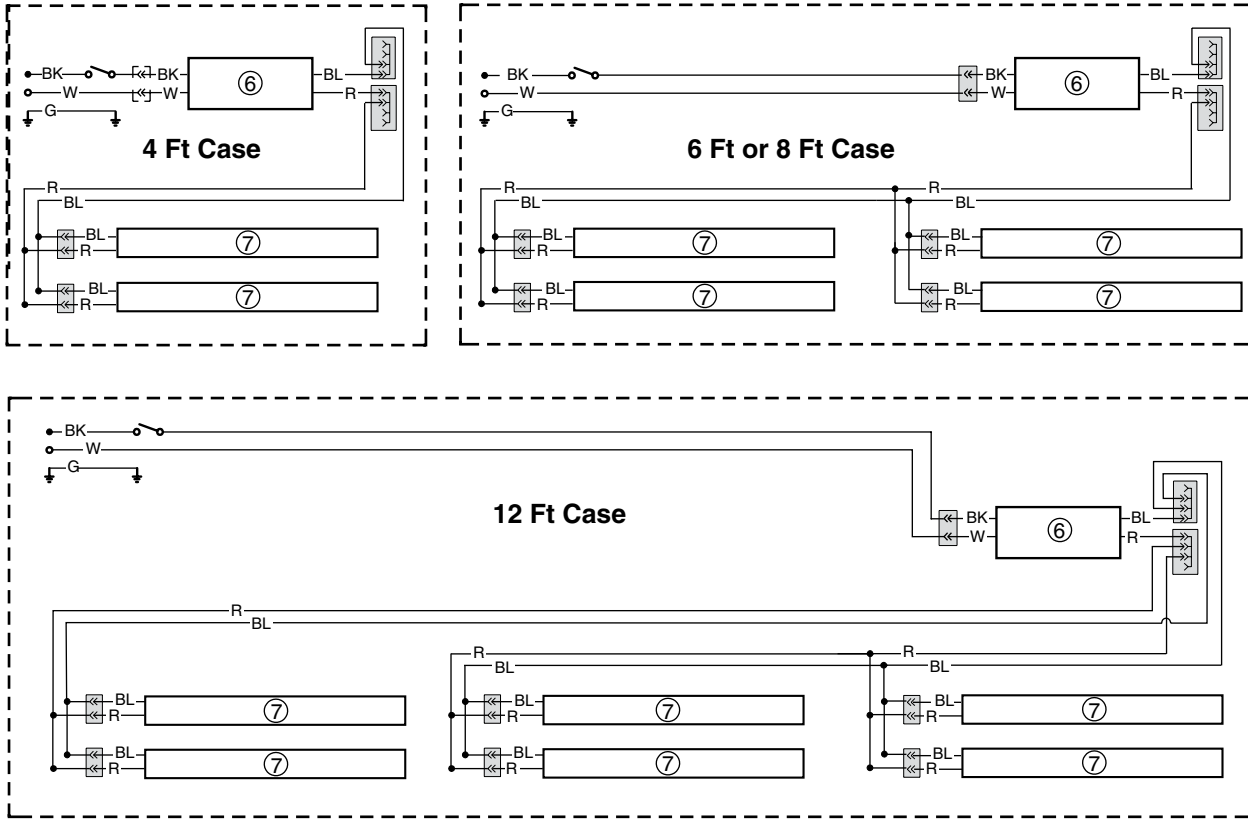
Grayed components in 12 foot models only.

R = Red G = Green BL = Blue BK = Black W = White

● = 120V Power ○ = 120V Neutral \perp = Field Ground \perp = Case Ground

Optional LED Lighting

EcoShine II LED Canopy Lighting – 2 Row



WARNING

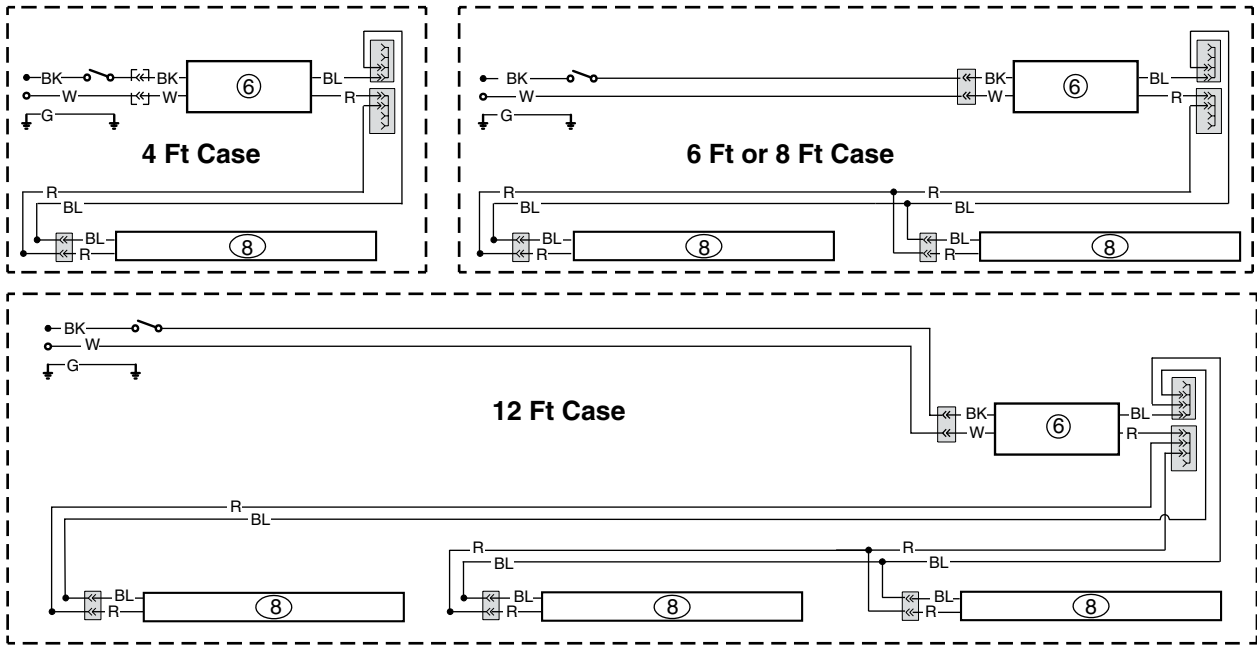
All components must have mechanical ground, and the merchandiser must be grounded.

Circled Numbers = Parts List Item Numbers

R = Red Y = Yellow G = Green BL = Blue BK = Black W = White

● = 120V Power ○ = 120V Neutral \perp = Field Ground /// = Case Ground

EcoShine II LED Rail Lighting – 1 Row



WARNING

All components must have mechanical ground, and the merchandiser must be grounded.

Circled Numbers = Parts List Item Numbers

R = Red Y = Yellow G = Green BL = Blue BK = Black W = White

● = 120V Power ○ = 120V Neutral ⊥ = Field Ground ≡ = Case Ground