

We reserve the right to change or revise specifications and product design in connection with any feature of our products. Such changes do not entitle the buyer to corresponding changes, improvements, additions or replacements for equipment previously sold or shipped.

Item	Part #	Description	Wiring Item #	Item	Part #	Description	Wiring Item #
<b>FAN ASSEMBLIES</b>				<b>LAMPS AND BALLASTS</b>			
<b>8 Ft &amp; 12 Ft</b>				D.	Ballast, Electronic		(4)
A.	<b>7W Energy Efficient</b> Fan Assembly		(1)	0480130	2 lamps (BA.4481676)		
	0477654	Fan Motor, Evaporator (MO.4410545)		0480131	3 lamps (BA.4481654)		
	0142780	Fan Blade (FB.0142780)		0480132	4 lamps (BA.4481677)		
<b>THERMOSTATS</b>				E.	Fluorescent Lamp		(5)
B.	0411744	Standard Non-adjustable Defrost Thermostat (CT.0411744)	(2)	<i>Replace with like fixtures</i>			
C.	Optional Adjustable Refrigeration Thermostat		(3)	<b>LED FIXTURES AND POWER SUPPLY</b>			
				F.	0501213	Power Supply (EP.4481861)	(6)
				G.	LED Canopy Fixture		(7)
						<i>Replace with like fixtures</i>	
				H.	LED Shelf Fixture		(8)
						<i>Replace with like fixtures</i>	

**NOTE:** For LED lighting parts contact your Hussmann service representative at 1-800-922-1919. Please have your model and serial number available. Descriptions including size and color are at [WWW.HUSSMANN.COM/SERVICEANDPARTS](http://WWW.HUSSMANN.COM/SERVICEANDPARTS).

Note: Revision E makes energy efficient fans standard, adds DOE 2012 compliance. Other changes marked by bar, underline or circle.



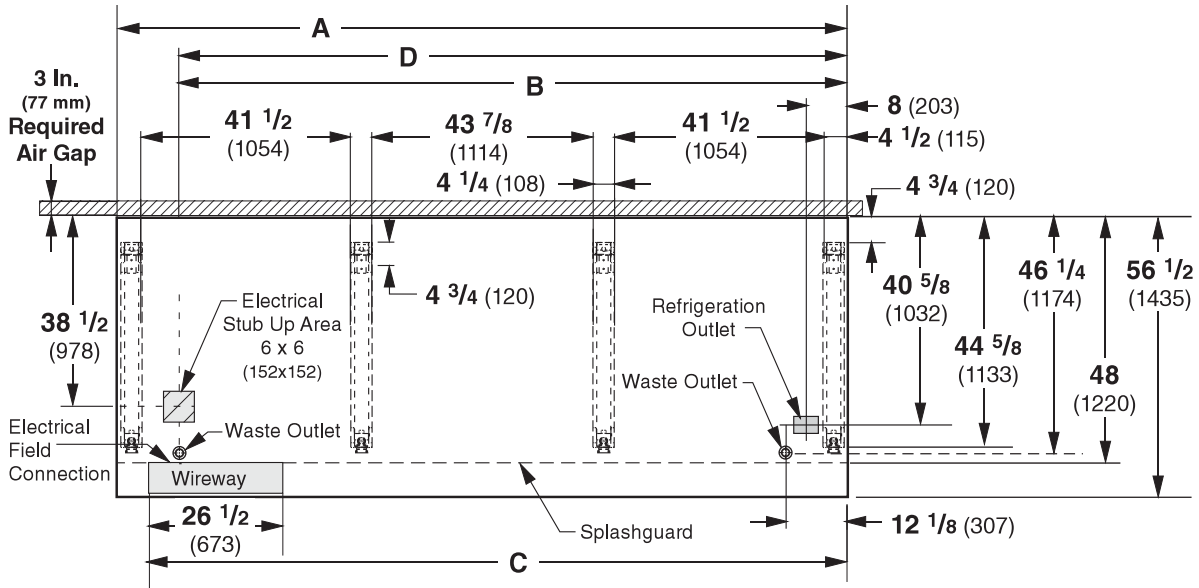
# Engineering Plan Views

PHYSICAL DATA	
Merchandiser Drip Pipe (in.)	1 1/4
Merchandiser Liquid Line (in.)	3/8
Merchandiser Suction Line (in.)	7/8

Produce  
10-2005

Dimensions shown as inches and (mm).

**P2XR0**



NOTE: Case-to-Case Electrical Connections are made IN FRONT OF SPLASHGUARD.

FRONT

	8 ft	12 ft
<b>General</b>		
<b>(A)</b> Case Length ( <i>without ends or partitions</i> ) (Each end and insulated partition adds 1 1/2 in. (38 mm) to case line up.) Maximum O/S dimension of case back to front (includes bumper)	96 3/8 (2448)	144 1/2 (3670)
Back of case to front of splashguard	56 1/2 (1435)	56 1/2 (1435)
Back of case to O/S edge of front leg	48 (1220)	48 (1220)
Distance between edges of external legs and center legs	44 5/8 (1133)	44 5/8 (1133)
Distance between edges of center legs	41 1/2 (1054)	41 1/2 (1054)
Distance between front legs and splashguard	NA	43 7/8 (1114)
	2 3/4 (70)	2 3/4 (70)
<b>Electrical Service</b> <input checked="" type="checkbox"/> ( <i>Electrical Field Wiring connection point</i> )		
<b>(B)</b> RH End of case to center of stub up area	84 1/4 (2140)	132 3/8 (3363)
Back of case to center of stub up area	38 1/2 (978)	38 1/2 (978)
Length of electrical wireway <input type="checkbox"/> Wireway	26 1/2 (673)	26 1/2 (673)
<b>(C)</b> RH End of case to LH end of wireway	90 1/8 (2289)	138 1/4 (3511)
<b>Waste Outlets</b> ( <i>One each end</i> ) <input checked="" type="checkbox"/>		
<b>(D)</b> RH End of case to the center of LH waste outlet	84 1/4 (2140)	132 3/8 (3363)
RH End of case to the center of RH waste outlet	12 1/8 (307)	12 1/8 (307)
Back O/S of case to center of waste outlets	46 1/4 (1174)	46 1/4 (1174)
Schedule 40 PVC drip pipe	1 1/4 (32)	1 1/4 (32)
<b>Refrigeration Outlet</b> <input type="checkbox"/>		
Back of case to center of refrigeration outlet	40 5/8 (1032)	40 5/8 (1032)
RH end of case to center of refrigeration outlet	8 (203)	8 (203)

Multi-deck, 2 Display Levels



Hussmann refrigerated merchandisers configured for sale for use in the United States meet or surpass the requirements of the DOE 2012 energy efficiency standards.

**Excel P2XRO-E**  
All Produce

**REFRIGERATION DATA**

**Note:** This data is based on store temperature and humidity that does not exceed 75°F and 55% R.H.

	P2XRO-E
Discharge Air °F	33
Evaporator °F	24
Unit Sizing °F	22

*Btu/hr/ft — Unlit Shelves†*

	P2XRO-E	Parallel	Conventional
UNLIT	949		1029

† Add 10 Btu/hr/ft *per shelf row* for LED fixtures.  
Add 20 Btu/hr/ft *per shelf row* for fluorescent lamps.

**DEFROST DATA**

	P2XRO-E
Frequency (hr)	8
Defrost Water (lb/ft/day)	6

(±15% based on case configuration and product loading.)

	P2XRO-E
OFFTIME	
Temp Term °F	48°F
Failsafe Minutes	30

*ELECTRIC OR GAS* Not Recommended

**Standard Defrost Thermostat**

Close on rise: close 48°F – open 33°F

**CONVENTIONAL CONTROLS**

**Low Pressure Backup Control**

	P2XRO-E
CI/CO*	17/7°F

**Indoor Unit Only,**

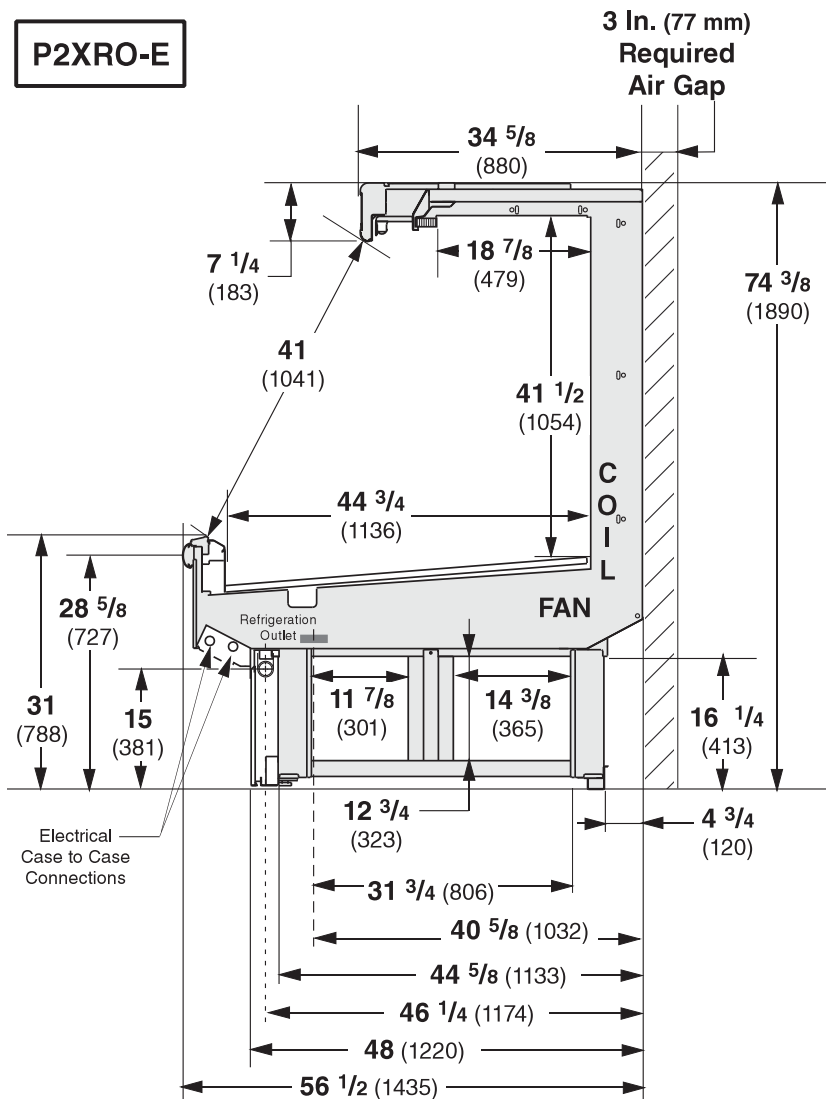
**Pressure Defrost Termination\*** 48°F

\*Use a Temperature Pressure Chart to determine PSIG conversions.

	P2XRO-E		
<b>Estimated Charge **</b>			
8 ft	2.3 lb	37 oz	1.0 kg
12 ft	3.3 lb	53 oz	1.5 kg

\*\*This is an average for all refrigerant types. Actual refrigerant charge may vary by approximately half a pound (8 oz/0.2 kg).

Dimensions shown as inches and (mm).



**NSF Certification**

This merchandiser model is manufactured to meet NSF/ANSI (National Sanitation Foundation) Standard #7 requirements for construction, materials & cleanability.

<b>Excel P2XRO-E</b> <b>All Produce</b>
--

**Electrical Data**

		<b>8 ft</b>	<b>12 ft</b>		
<b>Number of Fans—7W</b>		<b>2</b>	<b>3</b>		
		<b>Amperes</b>		<b>Watts</b>	
		<b>8 ft</b>	<b>12 ft</b>	<b>8 ft</b>	<b>12 ft</b>
<b>Evaporator Fan</b>					
120V 50/60Hz Standard Energy Efficient		0.38	0.57	28	42
230V 50/60Hz Standard Energy Efficient		0.20	0.30	28	42
230V 60Hz Export		0.50	0.75	78	117
230V 50Hz Export		0.56	0.84	84	126
<b>Minimum Circuit Ampacity</b>					
120V 50/60Hz Standard Energy Efficient		0.58	0.77		
230V 50/60Hz Standard Energy Efficient		0.40	0.50		
230V 60Hz Export		0.70	0.95		
230V 50Hz Export		0.76	1.04		
<b>Maximum Over Current Protection 120V</b>		<b>20</b>	<b>20</b>		
<b>Maximum Over Current Protection 230V</b>		<b>15</b>	<b>15</b>		

**Standard Lighting (T-8 fluorescent)**

1 Row Canopy	0.51	0.77	59	85
--------------	------	------	----	----

**ONLY LIGHTING CONFIGURATIONS THAT ARE COMPLIANT WITH THE U.S. DEPT. OF ENERGY (DOE) 2012 REGULATION ARE AVAILABLE FOR SALE FOR USE IN THE U.S.A.**

**Optional Lighting (T-8 fluorescent)**

Additional 1 Row Canopy	0.51	0.77	59	85
Additional 2 Row Canopy	1.02	1.54	118	170
Additional 3 Row Canopy	1.53	2.31	177	255
1 Row Rail Light	0.51	0.77	59	85
1 Row of Shelves	0.51	0.77	59	85
2 Rows of Shelves	1.02	1.54	118	170
3 Rows of Shelves	1.53	2.31	177	255

**EcoShine Multi-deck — Normal CRI—120VAC, 50/60Hz**

2 Row Canopy (Front & Rear)	0.55	0.82	66	98
1 Row of Shelves	0.20	0.29	24	35
2 Rows of Shelves	0.39	0.58	47	70
3 Rows of Shelves	0.58	0.88	70	105

**EcoShine Multi-deck — High CRI —120VAC, 50/60Hz**

2 Row Canopy (Front & Rear)	0.63	0.93	75	112
1 Row of Shelves	0.23	0.35	28	42
2 Rows of Shelves	0.47	0.70	56	84
3 Rows of Shelves	0.70	1.05	84	126

120V Lighting Circuit Total = Standard Lighting + Total Optional Lighting + Optional Shelf Lighting

230V Lighting Circuit Total = Multiply 120V Lighting Circuit Total by 0.52

**Product Data**

<i>Recommended Usable Cube</i> <sup>1</sup> (Cu Ft/Ft)	7.28 ft <sup>3</sup> /ft (0.68 m <sup>3</sup> /m)
<i>AHRI Total Display Area</i> <sup>2</sup> (Sq Ft/Ft)	3.34 ft <sup>2</sup> /ft (1.02 m <sup>2</sup> /m)
<i>Shelf Area</i> <sup>3</sup> (Sq Ft/Ft)	6.59 ft <sup>2</sup> /ft (2.01 m <sup>2</sup> /m)

- <sup>1</sup> AHRI Refrigerated Volume less shelving and other unusable space: Refrigerated Volume/Unit of Length, ft<sup>3</sup>/ft [m<sup>3</sup>/m]
- <sup>2</sup> Computed using AHRI 1200 standard methodology: Total Display Area, ft<sup>2</sup> [m<sup>2</sup>]/Unit of Length, ft [m]
- <sup>3</sup> Shelf surface area is composed of bottom deck plus standard shelf complement, as shown in the Hussmann *Product Reference Guide*. The standard shelf complement for this model is (1) row of 16-inch shelf and (1) row of 18-inch shelf.

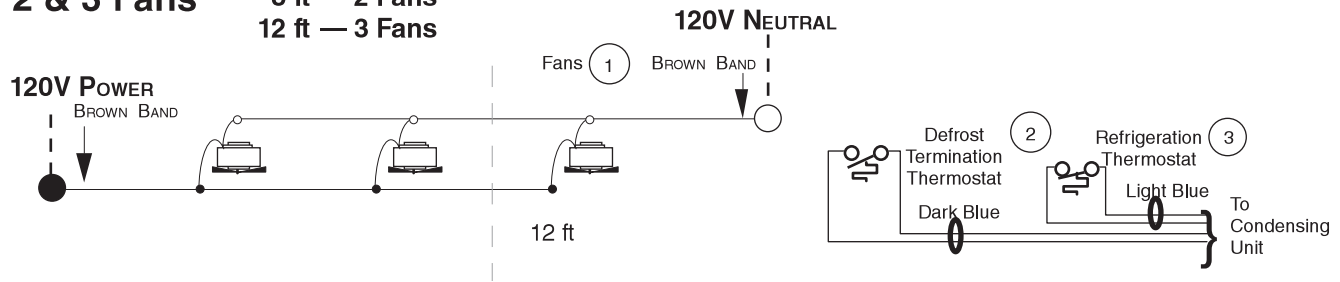
**ESTIMATED SHIPPING WEIGHT <sup>4</sup>**

Case			Solid End
	<i>8 ft</i>	<i>12 ft</i>	<i>(each)</i>
<b>lb</b> (kg)	1000 (454)	1200 (544)	75 (34)

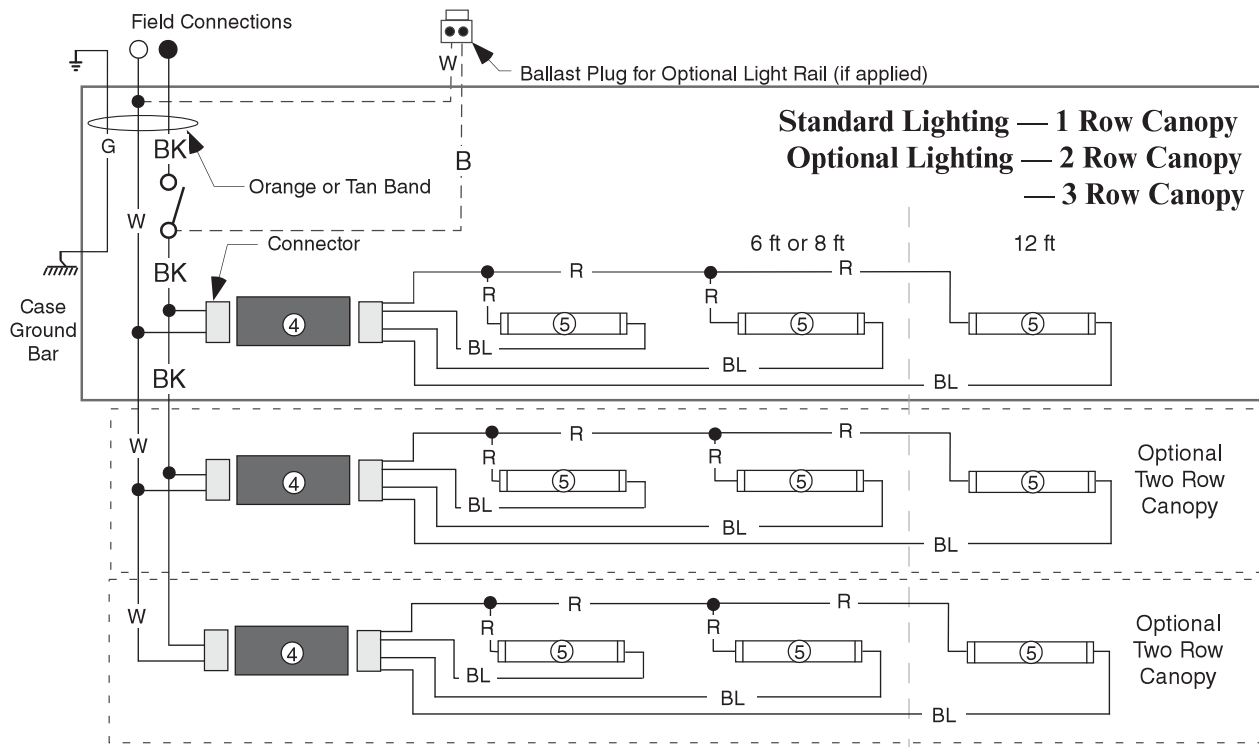
<sup>4</sup> Actual weights will vary according to optional kits included.

# Fan Wiring Offtime Defrost

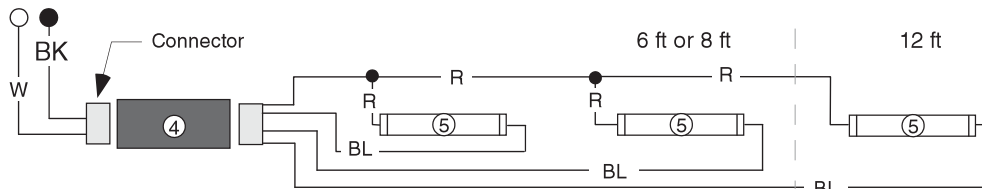
**2 & 3 Fans**      8 ft — 2 Fans  
 12 ft — 3 Fans



# Light Circuits — Fluorescent Fixtures



## Optional Lighting — 1 Row Rail



### WARNING

All components must have mechanical ground, and the merchandiser must be grounded.

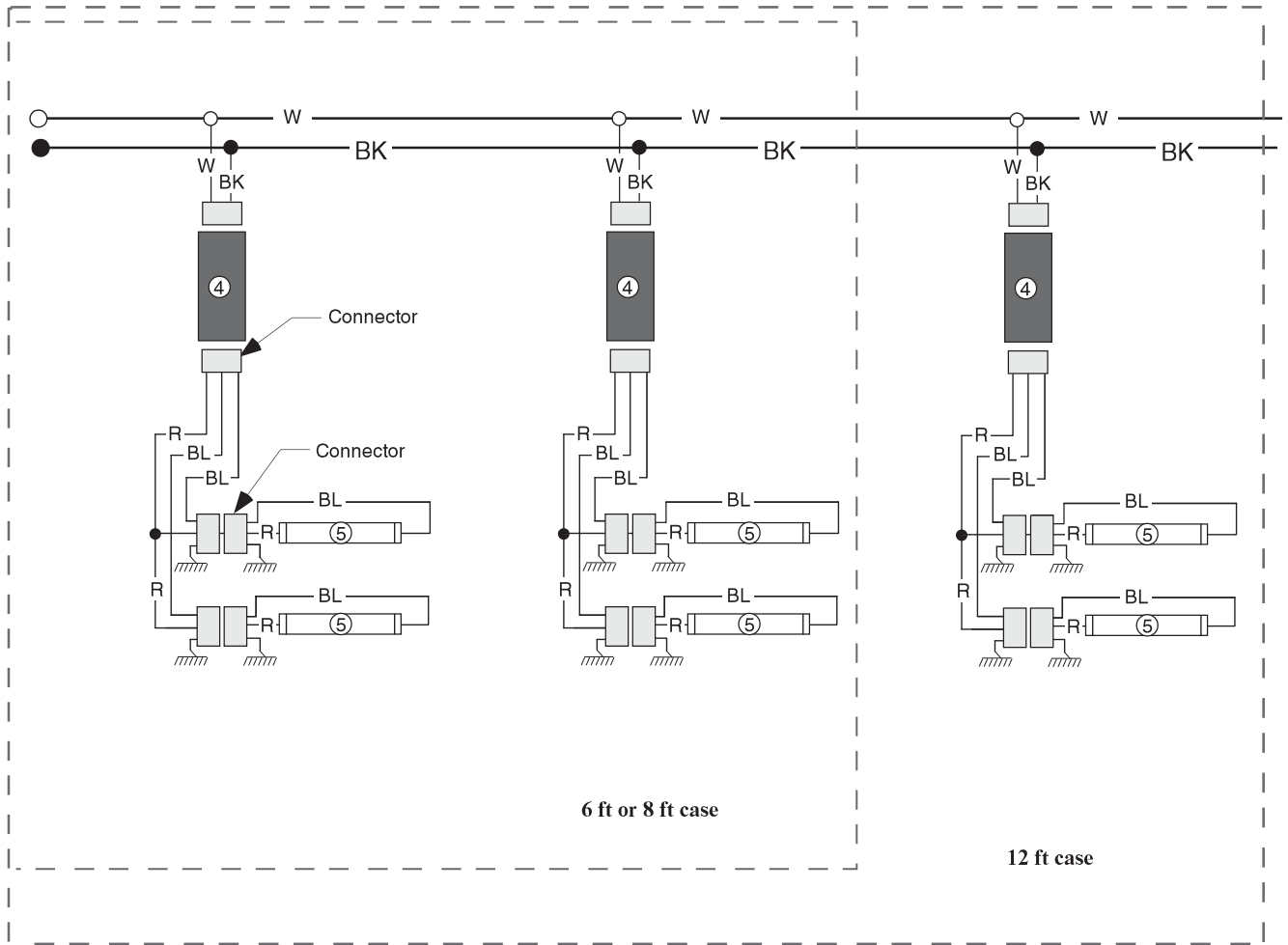
CIRCLED NUMBERS = PARTS LIST ITEM NUMBERS

R = Red Y = Yellow G = Green BL = Blue BK = Black W = White

● = 120V POWER ○ = 120V NEUTRAL ⊥ = FIELD GROUND ⏏ = CASE GROUND

# Optional Shelf Lighting Fluorescent Fixtures

## Optional Shelf Harness and Light Circuits for Two Rows of Shelves



### WARNING

All components must have mechanical ground, and the merchandiser must be grounded.

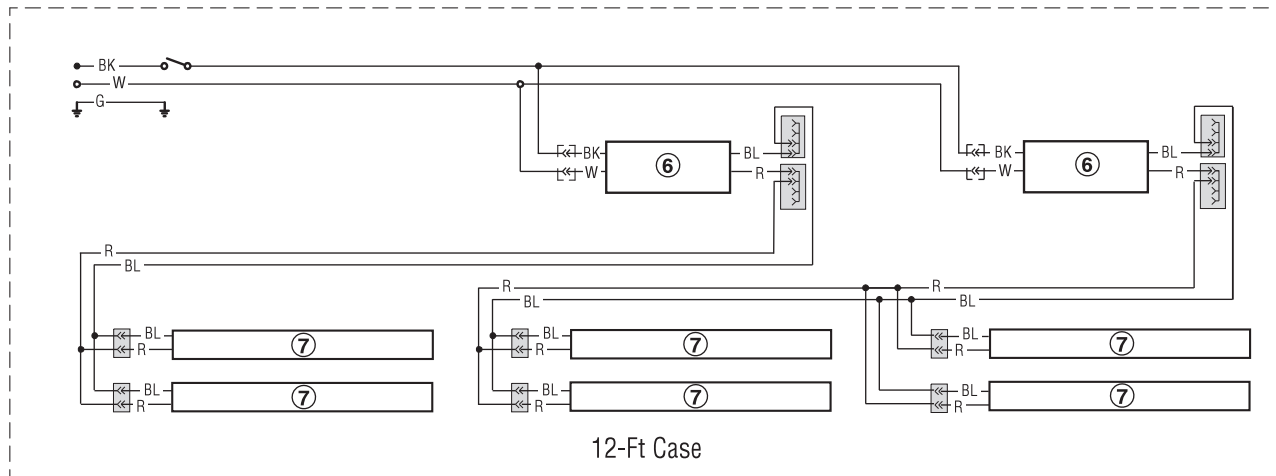
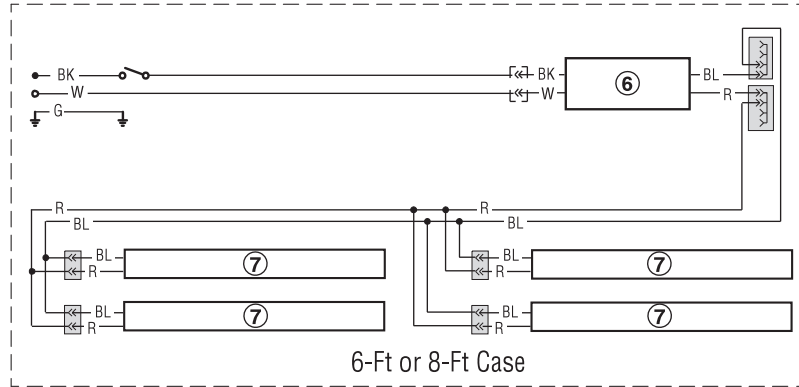
CIRCLED NUMBERS = PARTS LIST ITEM NUMBERS

R = Red   Y = Yellow   G = Green   BL = Blue   BK = Black   W = White

● = 120V POWER   ○ = 120V NEUTRAL   ⚡ = FIELD GROUND   ≡ = CASE GROUND

# Optional Canopy Lighting LED Fixtures

## Standard LED Canopy Lighting — 2 Row Canopy



### WARNING

All components must have mechanical ground, and the merchandiser must be grounded.

CIRCLED NUMBERS = PARTS LIST ITEM NUMBERS

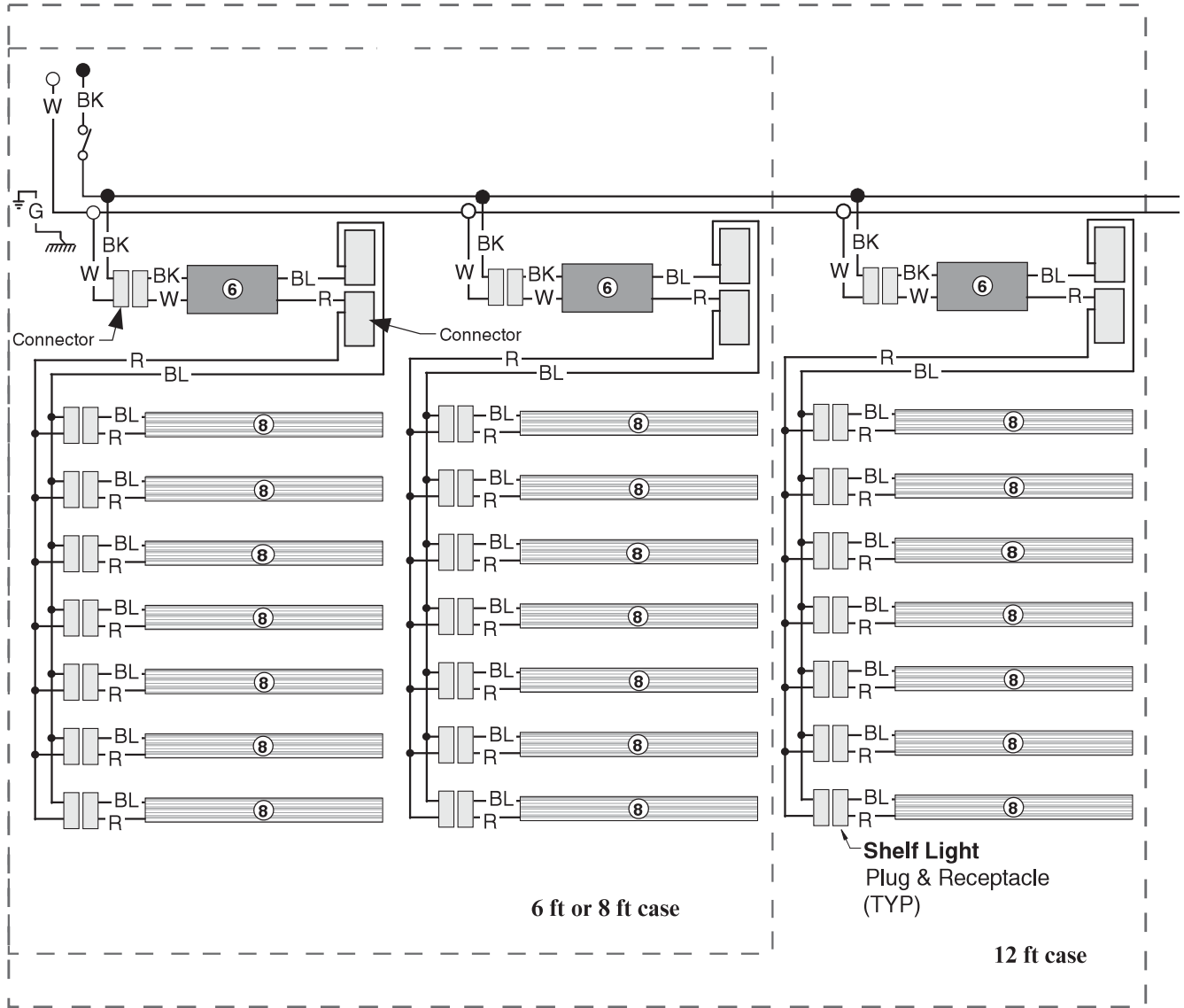
R = Red Y = Yellow G = Green BL = Blue BK = Black W = White

● = 120V POWER ○ = 120V NEUTRAL ⊥ = FIELD GROUND ≡ = CASE GROUND



# Optional Shelf Lighting LED Fixtures

## Optional Shelf Harness and LED Light Circuits for 3, 4, 5, 6 & 7 Rows of Shelves



### WARNING

All components must have mechanical ground, and the merchandiser must be grounded.

CIRCLED NUMBERS = PARTS LIST ITEM NUMBERS

R = Red      G = Green      BL = Blue      BK = Black      W = White  
 ● = 120V POWER      ○ = 120V NEUTRAL      ⚡ = FIELD GROUND      mmm = CASE GROUND

