

We reserve the right to change or revise specifications and product design in connection with any feature of our products. Such changes do not entitle the buyer to corresponding changes, improvements, additions or replacements for equipment previously sold or shipped.

Item	Part #	Description	Wiring Item #	Item	Part #	Description	Wiring Item #
FAN ASSEMBLIES				LAMPS AND BALLASTS			
8 Ft & 12 Ft				D.		Ballast, Electronic	(4)
A.	7W Standard	Fan Assembly	(1)	0480130		2 lamps (BA.4481676)	
	0058698	Fan Motor, Evaporator (MO.4410102)		0480131		3 lamps (BA.4481654)	
	0142780	Fan Blade (FB.0142780)		0480132		4 lamps (BA.4481677)	
	7W Energy Efficient	Fan Assembly	(1)	E.		Fluorescent Lamp	(5)
	0477654	Fan Motor, Evaporator (MO.4410545)				<i>Replace with like fixtures</i>	
	0142780	Fan Blade (FB.0142780)		LED FIXTURES AND POWER SUPPLY			
THERMOSTATS				F.	0501213	Power Supply (EP.4481861)	(6)
B.	0411744	Standard Non-adjustable Defrost Thermostat (CT.0411744)	(2)	G.		LED Canopy Fixture	(7)
C.		Optional Adjustable Refrigeration Thermostat	(3)			<i>Replace with like fixtures — See Page 5.</i>	
				H.		LED Shelf Fixture	(8)
						<i>Replace with like fixtures — See Page 5.</i>	

Note: Revision F adds EcoShine LED (page 4) and parts (page 5), and revises canopy wiring diagram (page 6). Other changes marked by bar, underline or circle.

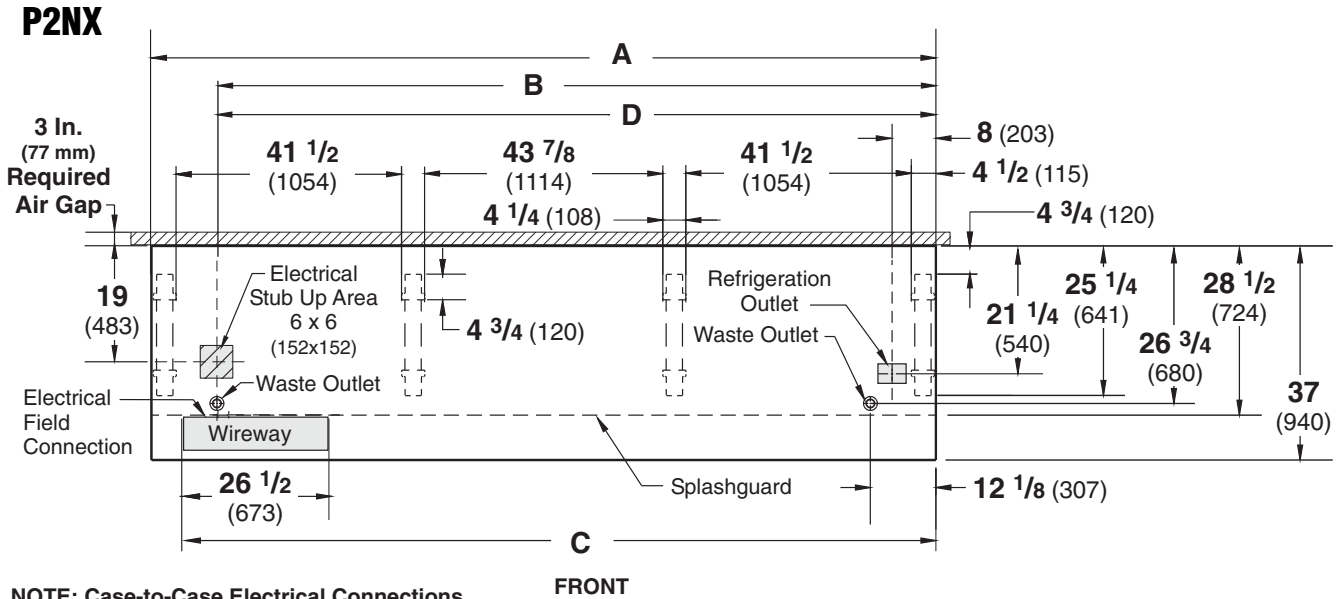


Engineering Plan Views

PHYSICAL DATA	
Merchandiser Drip Pipe (in.)	1 1/4
Merchandiser Liquid Line (in.)	3/8
Merchandiser Suction Line (in.)	7/8

Produce
10-2005

Dimensions shown as inches and (mm).

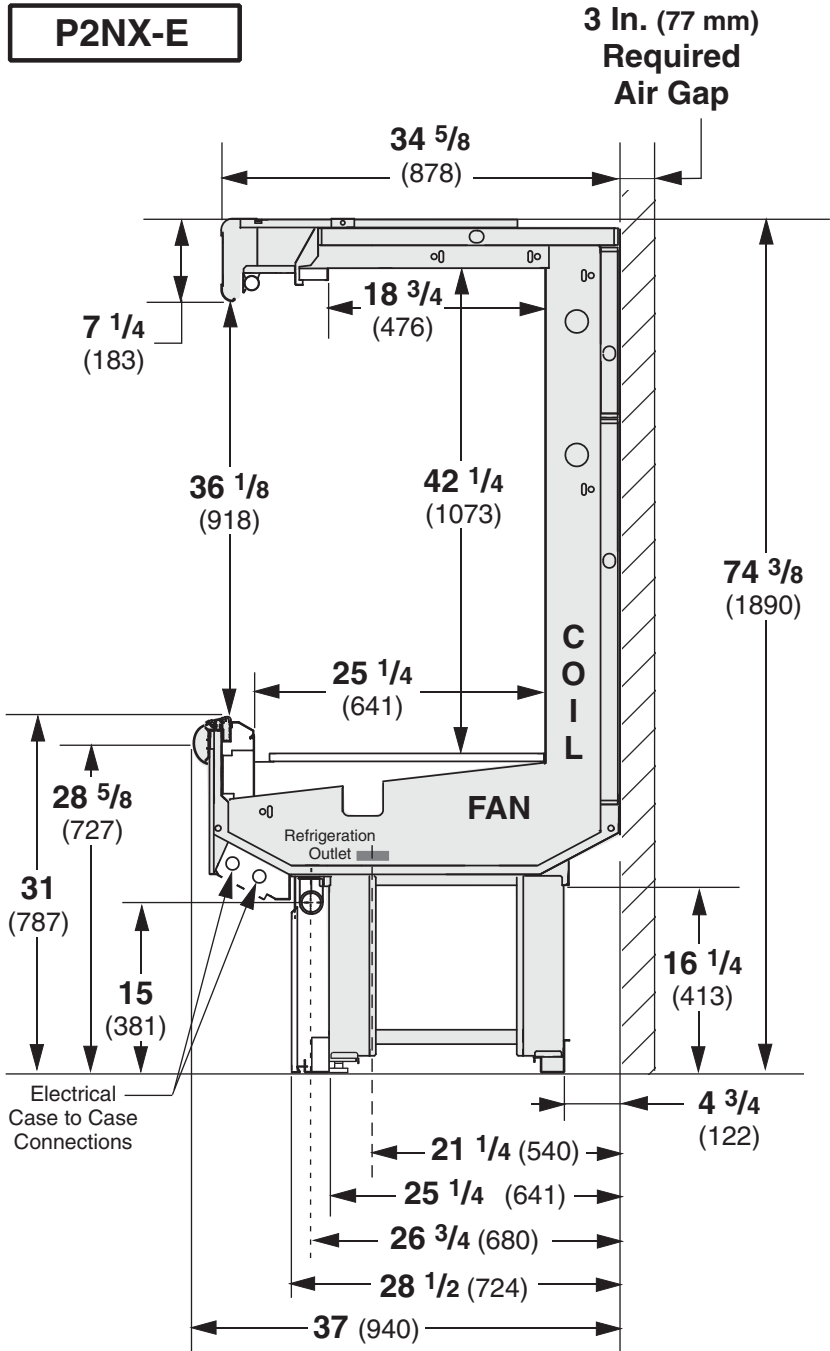


NOTE: Case-to-Case Electrical Connections are made IN FRONT OF SPLASHGUARD.

	8 ft	12 ft
General		
(A) Case Length (without ends or partitions)	96 3/8 (2448)	144 1/2 (3670)
<i>(Each end and insulated partition adds 1 1/2 in. (38 mm) to case line up.)</i>		
Maximum O/S dimension of case back to front <i>(includes bumper)</i>	37 (940)	37 (940)
Back of case to front of splashguard	28 1/2 (724)	28 1/2 (724)
Back of case to O/S edge of front leg	25 1/4 (641)	44 5/8 (1133)
Distance between edges of external legs and center legs	41 1/2 (1054)	41 1/2 (1054)
Distance between edges of center legs	NA	43 7/8 (1114)
Distance between front legs and splashguard	2 3/4 (70)	2 3/4 (70)
Electrical Service		
(B) RH End of case to center of stub up area	84 1/4 (2140)	132 3/8 (3363)
Back of case to center of stub up area	19 (483)	19 (483)
Length of electrical wireway	26 1/2 (673)	26 1/2 (673)
(C) RH End of case to LH end of wireway	90 1/8 (2289)	138 1/4 (3511)
Waste Outlets (One each end)		
(D) RH End of case to the center of LH waste outlet	84 1/4 (2140)	132 3/8 (3363)
RH End of case to the center of RH waste outlet	12 1/8 (307)	12 1/8 (307)
Back O/S of case to center of waste outlets	26 3/4 (680)	26 3/4 (680)
Schedule 40 PVC drip pipe	1 1/4 (32)	1 1/4 (32)
Refrigeration Outlet		
Back of case to center of refrigeration outlet	21 1/4 (540)	21 1/4 (540)
RH end of case to center of refrigeration outlet	8 (203)	8 (203)

Impact Excel P2NX-E
All Produce

Dimensions shown as inches and (mm).



NSF Certification

This merchandiser model is manufactured to meet ANSI/NSF (National Sanitation Foundation) Standard #7 requirements for construction, materials & cleanability.

REFRIGERATION DATA

Note: This data is based on store temperature and humidity that does not exceed 75°F and 55% R.H.

	P2NX-E
Discharge Air °F	33
Evaporator °F	24
Unit Sizing °F	22

Btu/hr/ft² — Unlit Shelves^{‡‡}

P2NX-E	Parallel	Conventional
UNLIT	1070	1155

[‡]Optional energy efficient motors reduce the refrigeration load by 21 Btu/hr/ft.
^{‡‡} Add 10 Btu/hr/ft per shelf row for LED fixtures.
 Add 20 Btu/hr/ft per shelf row for fluorescent lamps.

DEFROST DATA

	P2NX-E
Frequency (hr)	8
Defrost Water (lb/ft/day)	6

(±15% based on case configuration and product loading.)

OFFTIME	P2NX-E
Temp Term °F	48°F
Failsafe Minutes	30

ELECTRIC OR GAS Not Recommended

Standard Defrost Thermostat

Close on rise: close 48°F – open 33°F

CONVENTIONAL CONTROLS

Low Pressure Backup Control

	P2NX-E
CI/CO*	17/7°F

Indoor Unit Only,

Pressure Defrost Termination* 48°F

*Use a Temperature Pressure Chart to determine PSIG conversions.

Estimated Charge P2NX-E**

8 ft	2.3 lb	37 oz	1.0 kg
12 ft	3.3 lb	53 oz	1.5 kg

**This is an average for all refrigerant types actual refrigerant charge may vary by approximately half a pound.

Electrical Data

			8 ft	12 ft		
Number of Fans—7W			2	3		
			Amperes		Watts	
			8 ft	12 ft	8 ft	12 ft
Evaporator Fan						
120V	60Hz	Standard	1.00	1.50	78	117
120V	50Hz	Standard	1.10	1.65	84	126
230V	60Hz	Export	0.50	0.75	78	117
230V	50Hz	Export	0.56	0.84	84	126
120V	60Hz	Energy Efficient	0.38	0.57	28	42
230V	60Hz	Energy Efficient	0.20	0.30	28	42
Minimum Circuit Ampacity						
120V	60Hz	Standard	1.20	1.70		
120V	50Hz	Standard	1.30	1.85		
230V	60Hz	Export	0.70	0.95		
230V	50Hz	Export	0.76	1.04		
120V	60Hz	Energy Efficient	0.58	0.77		
230V	60Hz	Energy Efficient	0.40	0.50		
Maximum Over Current Protection 120V			20	20		
Maximum Over Current Protection 230V			15	15		
Standard Lighting (T-8 fluorescent)						
1 Row Canopy			0.51	0.77	59	85
Optional Lighting (T-8 fluorescent)						
Additional 1 Row Canopy			0.51	0.77	59	85
Additional 2 Row Canopy			1.02	1.54	118	170
Additional 3 Row Canopy			1.53	2.31	177	255
1 Row Rail Light			0.51	0.77	59	85
1 Row of Shelves			0.51	0.77	59	85
2 Rows of Shelves			1.02	1.54	118	170
3 Rows of Shelves			1.53	2.31	177	255
EcoShine Multi-deck — Normal CRI—120VAC, 50/60Hz						
2 Row Canopy (Front & Rear)			0.55	0.82	66	98
2 Rows of Shelves			0.39	0.58	47	70
3 Rows of Shelves			0.58	0.88	70	105
EcoShine Multi-deck — High CRI —120VAC, 50/60Hz						
2 Row Canopy (Front & Rear)			0.63	0.93	75	112
2 Rows of Shelves			0.47	0.70	56	84
3 Rows of Shelves			0.70	1.05	84	126
Always*Bright Multi-deck Lighting — 120VAC, 50/60Hz						
2 Row Canopy (Front & Rear)			0.71	1.08	85	130
2 Rows of Shelves			0.47	0.67	56	80
3 Rows of Shelves			0.74	1.11	89	133

120V Lighting Circuit Total = Standard Lighting + Total Optional Lighting + Optional Shelf Lighting
 230V Lighting Circuit Total = Multiply 120V Lighting Circuit Total by 0.52

Product Data

<i>Recommended Usable Cube</i> ¹ (Cu Ft/Ft)	5.93 ft ³ /ft (0.55 m ³ /m)
<i>AHRI Total Display Area</i> ² (Sq Ft/Ft)	3.32 ft ² /ft (1.01 m ² /m)
<i>Shelf Area</i> ³ (Sq Ft/Ft)	3.45 ft ² /ft (1.05 m ² /m)

- ¹ AHRI Refrigerated Volume less shelving and other unusable space: Refrigerated Volume/Unit of Length, ft³/ft [m³/m]
² Computed using AHRI 1200 standard methodology: Total Display Area, ft² [m²]/Unit of Length, ft [m]
³ Shelf surface area is composed of bottom deck plus standard shelf complement, as shown in the Hussmann *Product Reference Guide*. The standard shelf complement for this model is (1) row of 16-inch shelf.

ESTIMATED SHIPPING WEIGHT ⁴			
Case	8 ft		Solid End
	12 ft		(each)
lb (kg)	1000 (454)	1200 (544)	75 (34)

⁴ Actual weights will vary according to optional kits included.

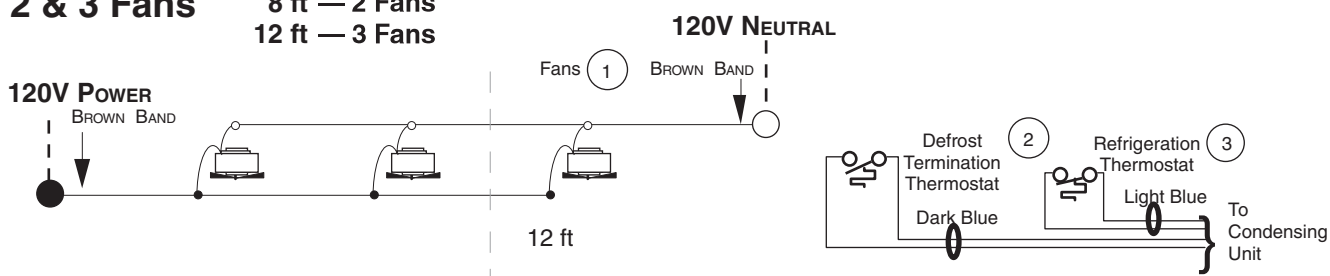
PARTS LIST (Continued from Page 1)					
Item	Part #	Description	Item	Part #	Description
LED FIXTURES AND POWER SUPPLY					
F.	0501213	Power Supply (EP.4481861) (6)	H.	EcoShine LED Shelf Fixture (8)	
G.	EcoShine LED Canopy Fixture (7)		4441590	48-inch	2900K HCRI
	4441720	Front 48-inch	4441591	48-inch	3500K HCRI
	4441722	Front 48-inch	4441592	48-inch	3500K
	4441724	Front 48-inch	4441593	48-inch	4100K
	4441726	Front 48-inch			
	4441721	Rear 48-inch			
	4441723	Rear 48-inch			
	4441725	Rear 48-inch			
	4441727	Rear 48-inch			

Note: Always*Bright lamps will be replaced with the latest generation of EcoShine lamps.

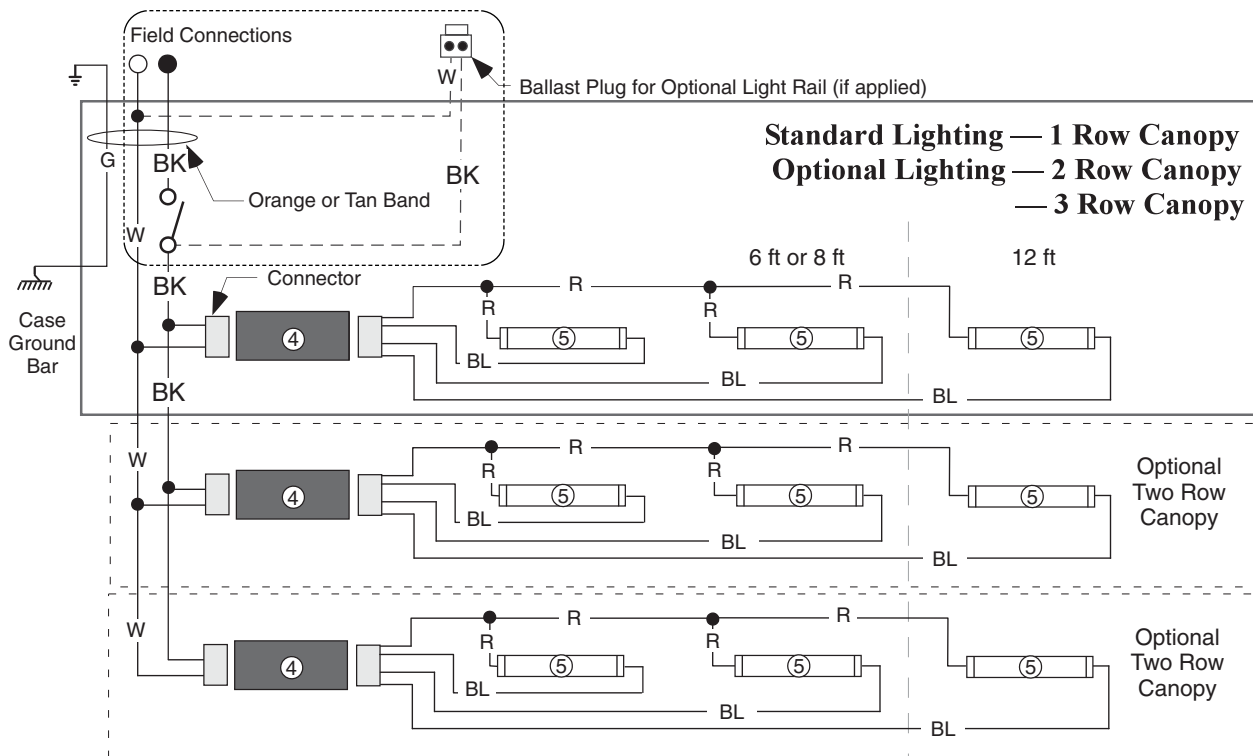
Fan Wiring Offtime Defrost

2 & 3 Fans

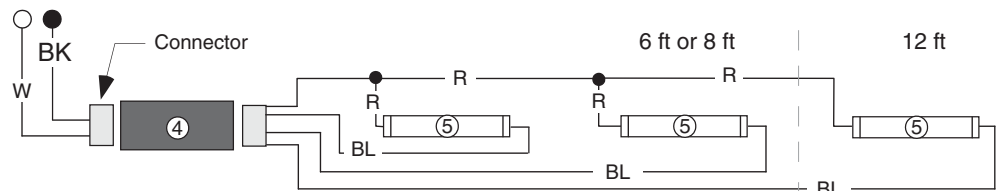
8 ft — 2 Fans
12 ft — 3 Fans



Light Circuits — Fluorescent Fixtures



Optional Lighting — 1 Row Rail



WARNING

All components must have mechanical ground, and the merchandiser must be grounded.

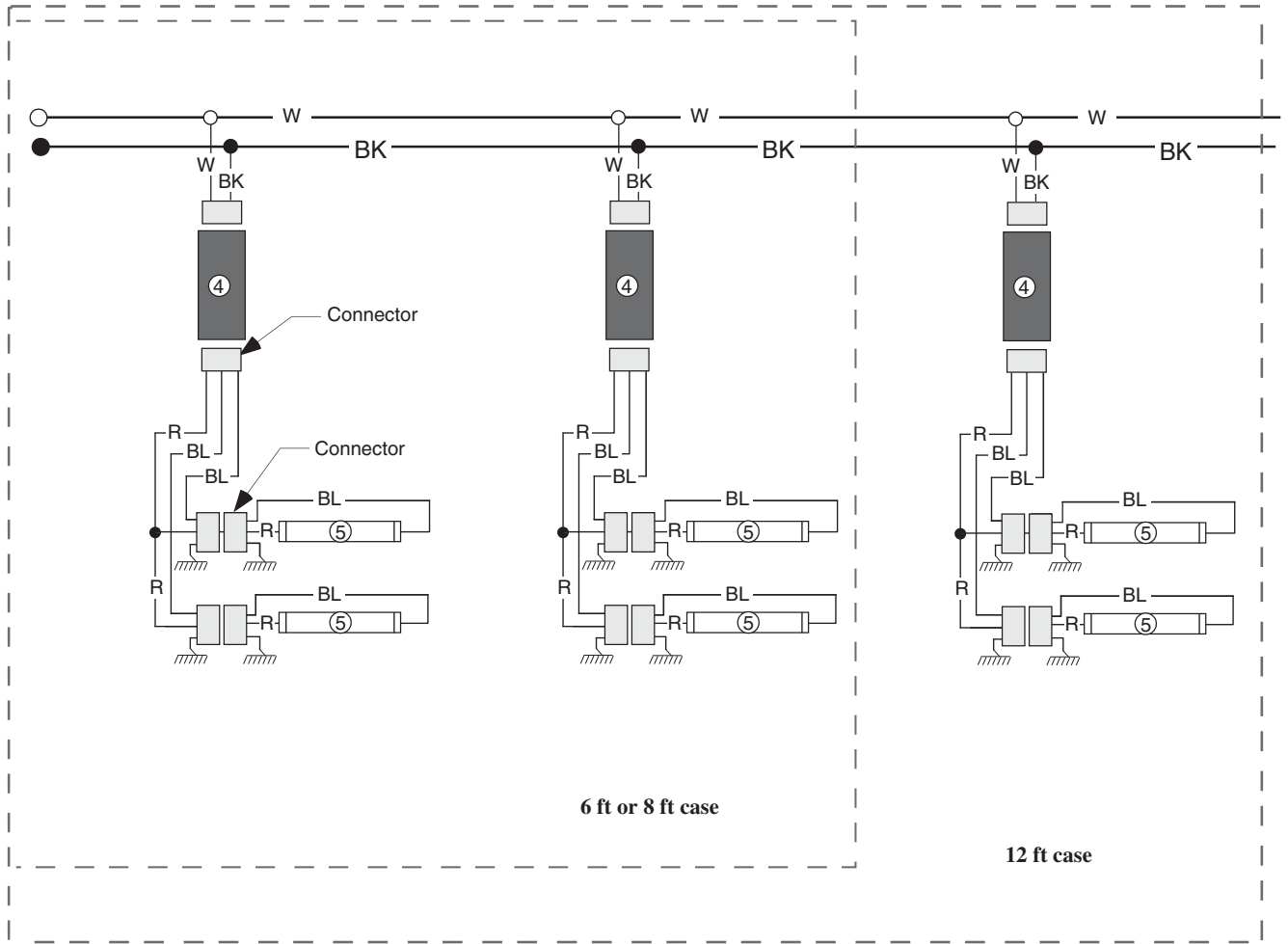
CIRCLED NUMBERS = PARTS LIST ITEM NUMBERS

R = Red Y = Yellow G = Green BL = Blue BK = Black W = White

● = 120V POWER ○ = 120V NEUTRAL ⚡ = FIELD GROUND mm = CASE GROUND

Optional Shelf Lighting Fluorescent Fixtures

Optional Shelf Harness and Light Circuits for Two Rows of Shelves



WARNING

All components must have mechanical ground, and the merchandiser must be grounded.

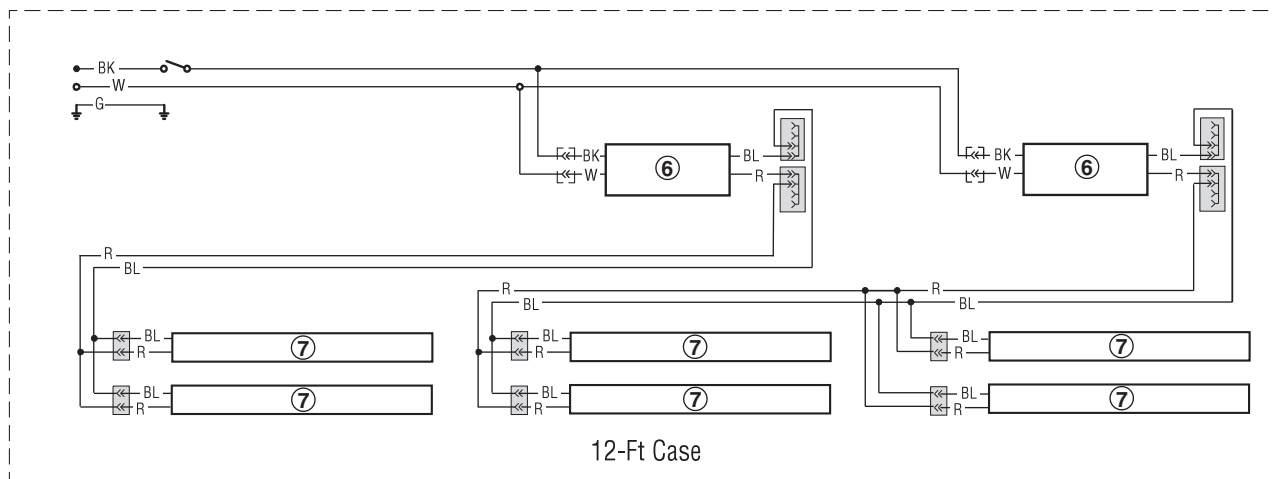
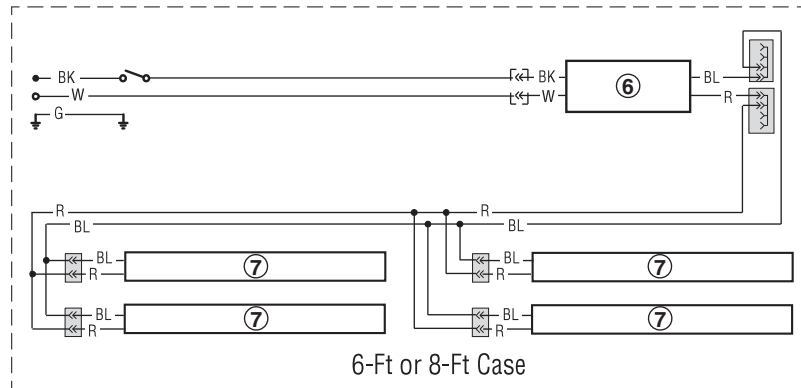
CIRCLED NUMBERS = PARTS LIST ITEM NUMBERS

R = Red Y = Yellow G = Green BL = Blue BK = Black W = White

● = 120V POWER ○ = 120V NEUTRAL ⊥ = FIELD GROUND ≡ = CASE GROUND

Optional Canopy Lighting LED Fixtures

Standard LED Canopy Lighting — 2 Row Canopy



WARNING

All components must have mechanical ground, and the merchandiser must be grounded.

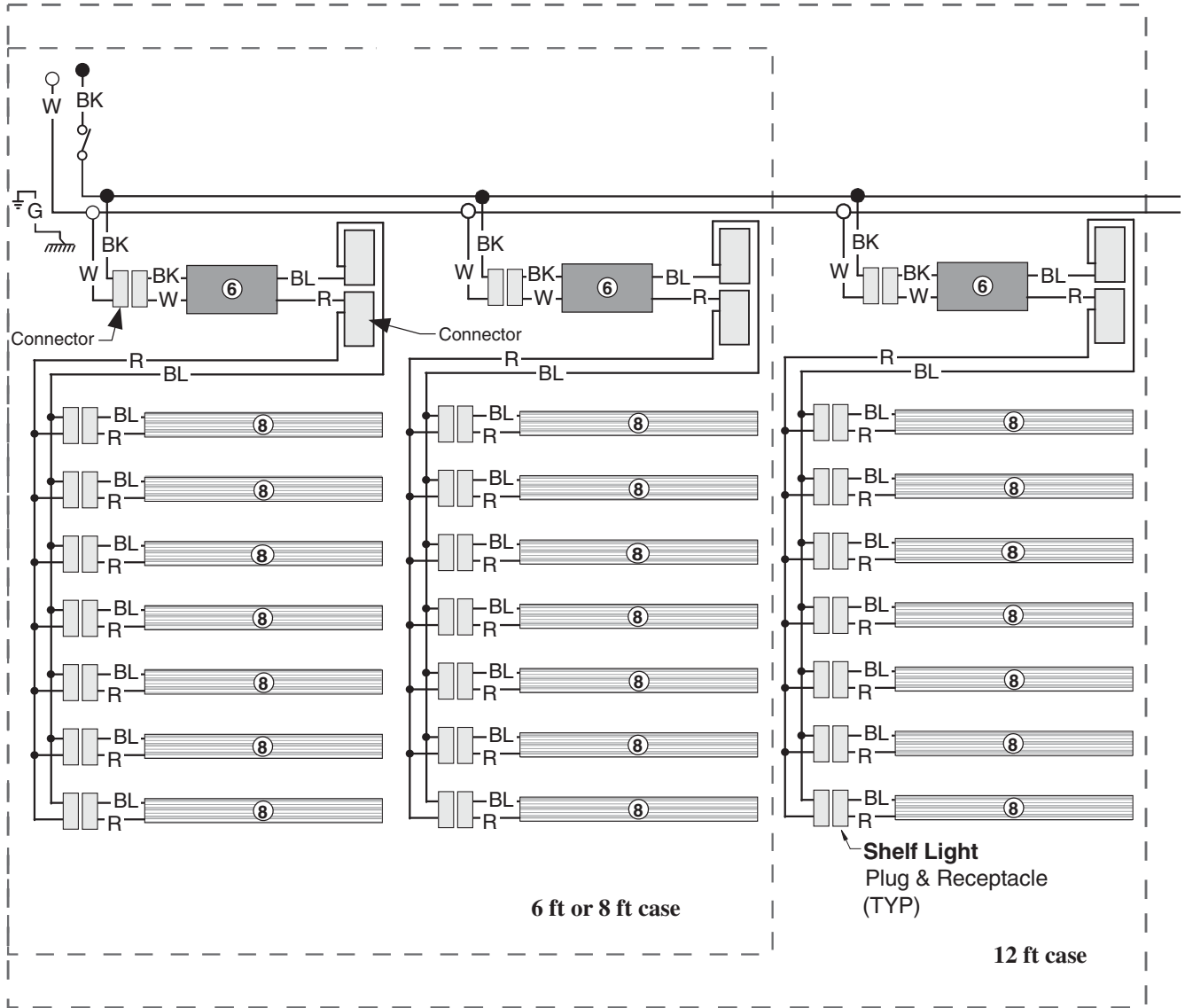
CIRCLED NUMBERS = PARTS LIST ITEM NUMBERS

R = Red Y = Yellow G = Green BL = Blue BK = Black W = White

● = 120V POWER ○ = 120V NEUTRAL ⊥ = FIELD GROUND ≡ = CASE GROUND

Optional Shelf Lighting LED Fixtures

Optional Shelf Harness and LED Light Circuits for 3, 4, 5, 6 & 7 Rows of Shelves



WARNING

All components must have mechanical ground, and the merchandiser must be grounded.

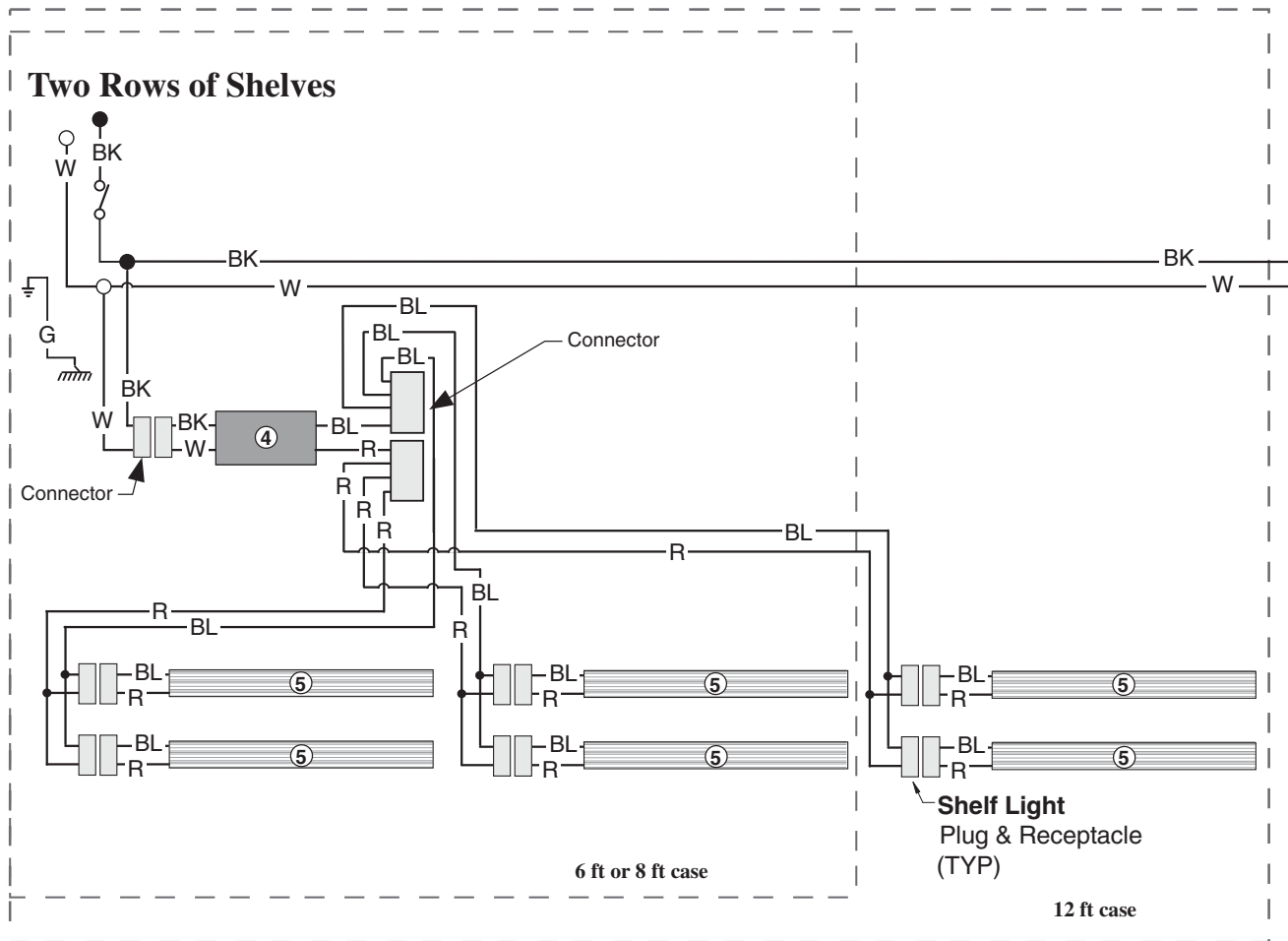
CIRCLED NUMBERS = PARTS LIST ITEM NUMBERS

R = Red G = Green BL = Blue BK = Black W = White

● = 120V POWER ○ = 120V NEUTRAL ⊥ = FIELD GROUND *mm* = CASE GROUND

Optional Shelf Lighting LED Fixtures

Optional Shelf Harness and LED Light Circuits for



WARNING

All components must have mechanical ground, and the merchandiser must be grounded.

CIRCLED NUMBERS = PARTS LIST ITEM NUMBERS

R = Red G = Green BL = Blue BK = Black W = White

● = 120V POWER ○ = 120V NEUTRAL ⊥ = FIELD GROUND ≡ = CASE GROUND