

We reserve the right to change or revise specifications and product design in connection with any feature of our products. Such changes do not entitle the buyer to corresponding changes, improvements, additions or replacements for equipment previously sold or shipped.

Item	Part #	Description	Wiring Item #	Item	Part #	Description	Wiring Item #
<b>FAN ASSEMBLIES</b>				<b>LED FIXTURES AND POWER SUPPLY</b>			
<b>8 Ft &amp; 12 Ft</b>				E.	0501213	Power Supply (EP.4481861)	(5)
A.	<b>25W Standard Energy Efficient Fan Assembly</b>	(1)		F.		LED Canopy Fixture	(6)
	0501485	Fan Motor, Evaporator (MO.4410701)				<i>Replace with like fixtures</i>	
	0501484	Fan Blade (FB.4780657)		G.		LED Shelf Fixture	(7)
						<i>Replace with like fixtures</i>	
<b>THERMOSTATS</b>				<b>NOTE: For LED lighting parts contact your Hussmann service representative at 1-800-922-1919. Please have your model and serial number available. Descriptions including size and color are at <a href="http://WWW.HUSSMANN.COM/SERVICEANDPARTS">WWW.HUSSMANN.COM/SERVICEANDPARTS</a>.</b>			
B.		Optional Adjustable Refrigeration Thermostat	(2)				
<b>LAMPS AND BALLASTS</b>							
C.	Ballast, Electronic		(3)				
	0480130	2 lamps (BA.4481676)					
	0480131	3 lamps (BA.4481654)					
	0480132	4 lamps (BA.4481677)					
D.	Fluorescent Lamp		(4)				
		<i>Replace with like fixtures</i>					

Note: Revision G makes energy efficient fans standard, changes adjustable feet to rail, and adds DOE 2012 compliance. Other changes marked by bar, underline or circle.



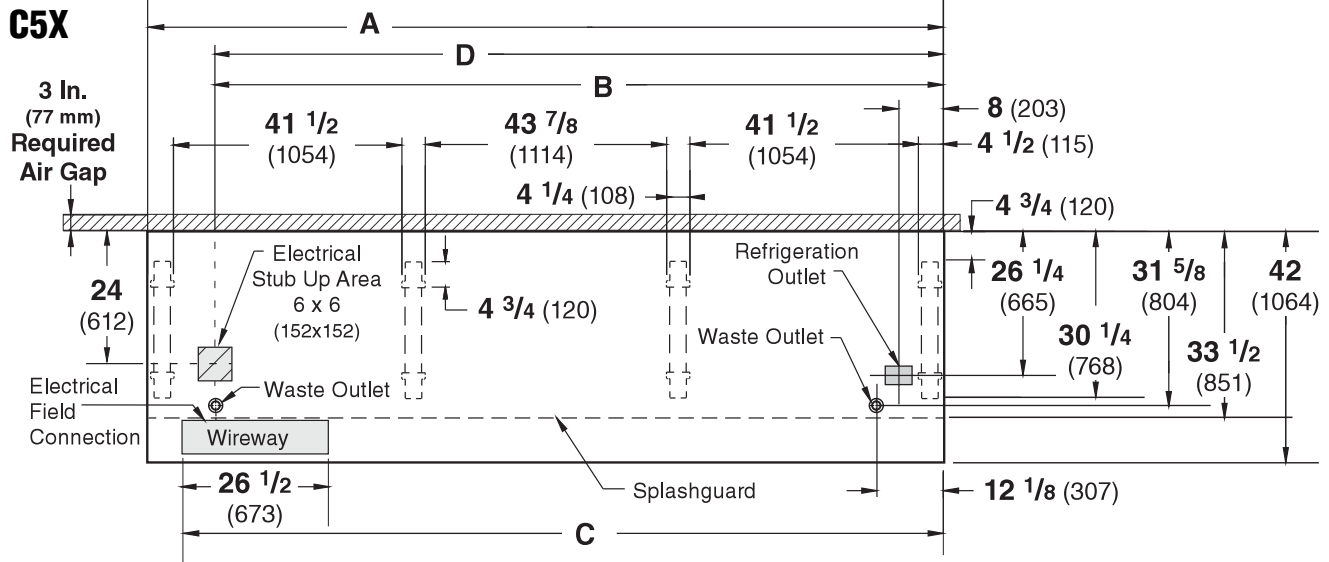
# Engineering Plan Views

PHYSICAL DATA	
Merchandiser Drip Pipe (in.)	1 1/4
Merchandiser Liquid Line (in.)	3/8
Merchandiser Suction Line (in.)	7/8

## Convertible

09-2005

Dimensions shown as in. and (mm).



NOTE: Case-to-Case Electrical Connections are made IN FRONT OF SPLASHGUARD.

FRONT

	8 ft	12 ft
<b>General</b>		
<b>(A) Case Length</b> ( <i>without ends or partitions</i> ) (Each end and insulated partition adds 1 1/2 in. (38 mm) to case line up.) Maximum O/S dimension of case back to front (includes bumper)	96 3/8 (2448)	144 1/2 (3670)
Back of case to front of splashguard	42 (1064)	42 (1064)
Back of case to O/S edge of front leg	33 1/2 (851)	33 1/2 (851)
Distance between edges of external legs and center legs	30 1/4 (768)	30 1/4 (768)
Distance between edges of center legs	41 1/2 (1054)	41 1/2 (1054)
Distance between front legs and splashguard	NA	43 7/8 (1114)
	2 3/4 (70)	2 3/4 (70)
<b>Electrical Service</b> <input checked="" type="checkbox"/> ( <i>Electrical Field Wiring connection point</i> )		
<b>(B) RH End of case to center of stub up area</b>	84 1/4 (2140)	132 3/8 (3363)
Back of case to center of stub up area	24 (612)	24 (612)
Length of electrical wireway <input type="checkbox"/> Wireway	26 1/2 (673)	26 1/2 (673)
<b>(C) RH End of case to LH end of wireway</b>	90 1/8 (2289)	138 1/4 (3511)
<b>Waste Outlets</b> ( <i>One each end</i> ) <input checked="" type="checkbox"/>		
<b>(D) RH End of case to the center of LH waste outlet</b>	84 1/4 (2140)	132 3/8 (3363)
RH End of case to the center of RH waste outlet	12 1/8 (307)	12 1/8 (307)
Back O/S of case to center of waste outlets	31 5/8 (804)	31 5/8 (804)
Schedule 40 PVC drip pipe	1 1/4 (32)	1 1/4 (32)
<b>Refrigeration Outlet</b> <input type="checkbox"/>		
Back of case to center of refrigeration outlet	26 1/4 (665)	26 1/4 (665)
RH end of case to center of refrigeration outlet	8 (203)	8 (203)

Multi-deck, 5 Display Levels, Low Front



Husmann refrigerated merchandisers configured for sale for use in the United States meet or surpass the requirements of the DOE 2012 energy efficiency standards.

**Excel C5X-LEP**  
**Dairy/Delicatessen/Produce**

**REFRIGERATION DATA**

Note: This data is based on store temperature and humidity that does not exceed 75°F and 55% R.H.

C5X-LEP	DAIRY/DELI/PRODUCE†	
	UNLIT	LIT
Discharge Air (°F)	33	31
Evaporator (°F)	28	26
Unit Sizing (°F)	26	24

†For red meat application, lower evaporator temperature and unit sizing 3°F. increase Btu 5%.

**Btu/hr/ft — Unlit Shelves‡**

C5X-LEP	Parallel	Conventional
UNLIT	1394	1444

‡ Add 10 Btu/hr/ft per shelf row for LED fixtures.  
Add 20 Btu/hr/ft per shelf row for fluorescent lamps.

**DEFROST DATA**

	C5X-LEP
Frequency Hr	12
Defrost Water (lb/ft/day)	10.5

(± 15% based on case configuration and product loading).

OFFTIME	C5X-LEP
TIME (minutes)	30

**ELECTRIC OR GAS** Not Recommended

**CONVENTIONAL CONTROLS**

**Low Pressure Backup Control**

C/CO\*

C5X-LEP	DAIRY/DELI/PRODUCE††
Temp (°F)	19°F / 9°F

**Indoor Unit Only, Pressure Defrost**

Termination\* 48°F

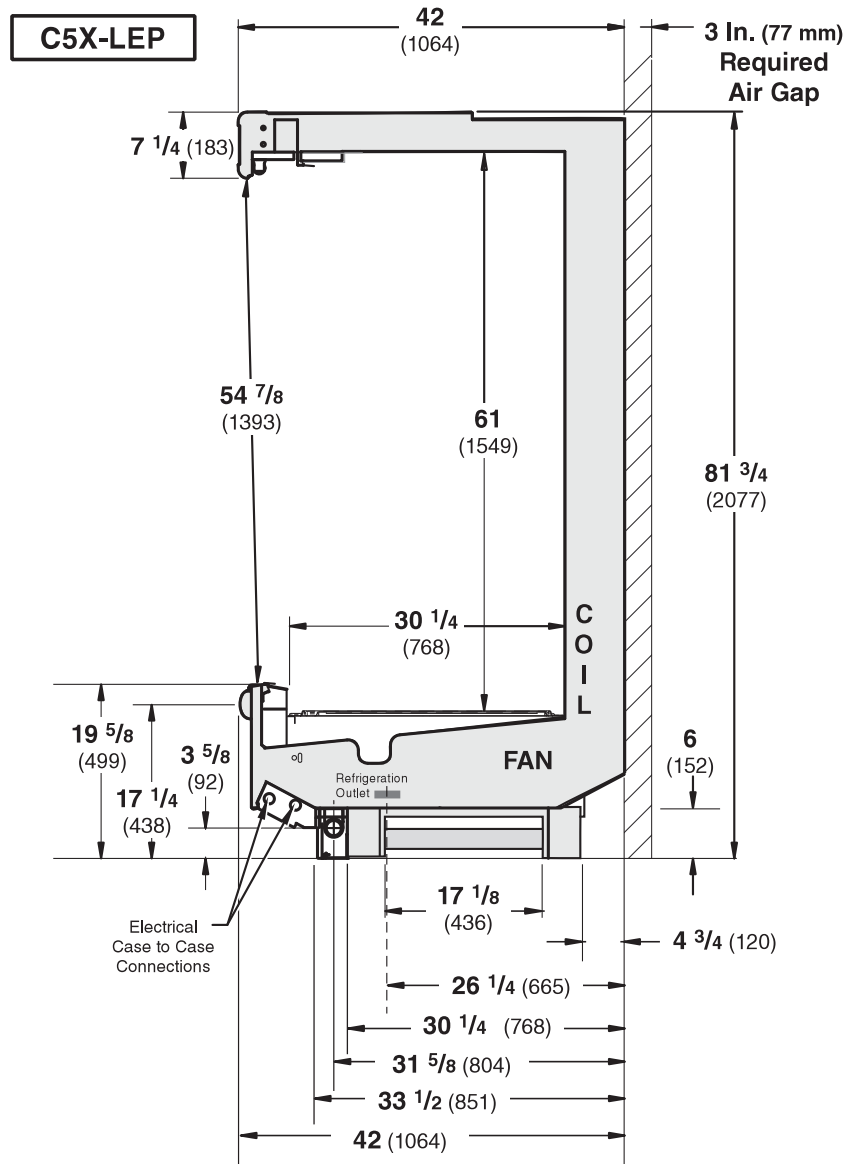
\*Use a Temperature Pressure Chart to determine PSIG conversions.

††For red meat application, reduce low pressure backup control by 3°F.

Estimated Charge**	C5X-LEP		
8 ft	3.7 lb	59 oz	1.7 kg
12 ft	5.1 lb	82 oz	2.3 kg

\*\*This is an average for all refrigerant types. Actual refrigerant charge may vary by approximately half a pound (8 oz/0.2 kg).

Dimensions shown as in. and (mm).



**NSF Certification**

This merchandiser model is manufactured to meet NSF/ANSI (National Sanitation Foundation) Standard #7 requirements for construction, materials & cleanability.

# Excel C5X-LEP

## Dairy/Delicatessen/Produce

### Electrical Data

	8 ft	12 ft		
Number of Fans—25W	2	3		
	Amperes		Watts	
<b>Evaporator Fan</b>	8 ft	12 ft	8 ft	12 ft
120V 50/60Hz Standard Energy Efficient	1.20	1.80	72	108
230V 50/60Hz Standard Energy Efficient	0.60	0.90	72	108
230V 60Hz Export	1.32	1.98	200	300
230V 50Hz Export	1.52	2.28	228	342
<b>Minimum Circuit Ampacity</b>				
120V 50/60Hz Standard Energy Efficient	1.40	2.00		
230V 50/60Hz Standard Energy Efficient	0.80	1.10		
230V 60Hz Export	1.52	2.18		
230V 50Hz Export	1.72	2.48		
<b>Maximum Over Current Protection 120V</b>	<b>20</b>	<b>20</b>		
Maximum Over Current Protection 230V	15	15		

### Standard Lighting (T-8 Fluorescent)

1 Row Canopy	0.51	0.77	59	85
--------------	------	------	----	----

ONLY LIGHTING CONFIGURATIONS THAT ARE COMPLIANT WITH THE U.S. DEPT. OF ENERGY (DOE) 2012 REGULATION ARE AVAILABLE FOR SALE FOR USE IN THE U.S.A.

### Optional Lighting (T-8 Fluorescent)

Additional 1 Row Canopy	0.51	0.77	59	85
Additional 2 Row Canopy	1.02	1.54	118	170
Additional 3 Row Canopy	1.53	2.31	177	255
1 Row Rail Light	0.51	0.77	59	85
1 Row of Shelves	0.51	0.77	59	85
4 Rows of Shelves	2.04	3.08	236	340
5 Rows of Shelves	2.55	3.85	295	425
6 Rows of Shelves	3.06	4.62	354	510

### EcoShine Multi-deck — Normal (CRI) — 120VAC, 50/60Hz

2 Row Canopy (Front & Rear)	0.55	0.82	66	98
3 Rows of Shelves	0.58	0.88	70	105
4 Rows of Shelves	0.78	1.17	93	140
5 Rows of Shelves	0.97	1.45	116	174
6 Rows of Shelves	1.17	1.74	140	209

### EcoShine Multi-deck — High CRI — 120VAC, 50/60Hz

2 Row Canopy (Front & Rear)	0.63	0.93	75	112
4 Rows of Shelves	0.93	1.40	112	168
5 Rows of Shelves	1.17	1.75	140	210
6 Rows of Shelves	1.40	2.10	168	252

120V Lighting Circuit Total = Standard Lighting + Total Optional Lighting + Optional Shelf Lighting

230V Lighting Circuit Total = Multiply 120V Lighting Circuit Total by 0.52

**Excel C5X-LEP**  
**Dairy/Delicatessen/Produce**

**Product Data**

<i>Recommended Usable Cube</i> <sup>1</sup> (Cu Ft/Ft)	9.39 ft <sup>3</sup> /ft (0.87 m <sup>3</sup> /m)
<i>ARI Total Display Area</i> <sup>2</sup> (Sq Ft/Ft)	4.58 ft <sup>2</sup> /ft (1.40 m <sup>2</sup> /m)
<i>Shelf Area</i> <sup>3</sup> (Sq Ft/Ft)	9.88 ft <sup>2</sup> /ft (3.01 m <sup>2</sup> /m)

- <sup>1</sup> ARI Refrigerated Volume less shelving and other unusable space: Refrigerated Volume/Unit of Length, ft<sup>3</sup>/ft [m<sup>3</sup>/m]  
<sup>2</sup> Computed using ARI 1200 standard methodology: Total Display Area, ft<sup>2</sup> [m<sup>2</sup>]/Unit of Length, ft [m]  
<sup>3</sup> Shelf surface area is composed of bottom deck plus standard shelf complement, as shown in the Hussmann *Product Reference Guide*. The standard shelf complement for this model is (4) rows of 22-inch shelves.

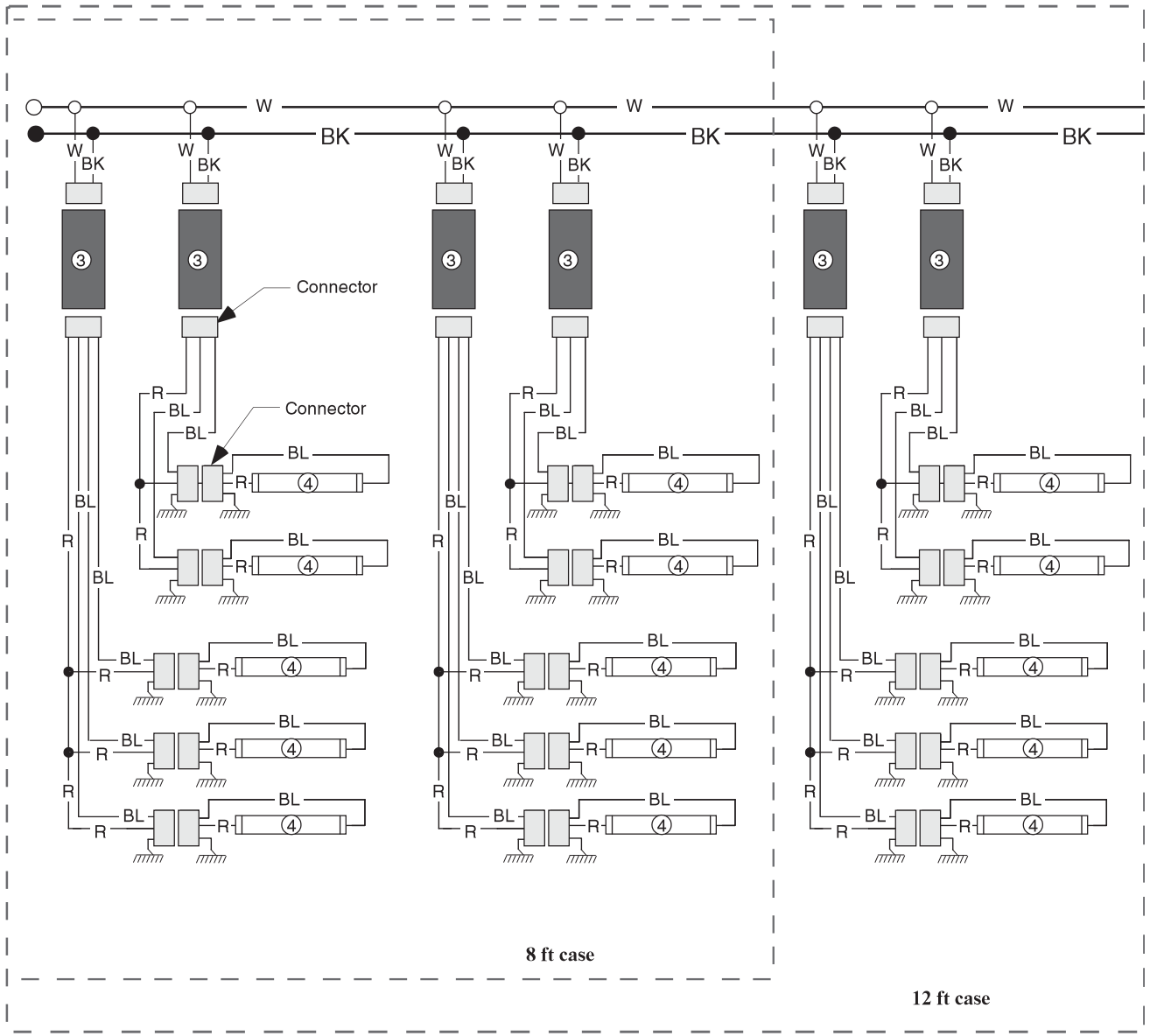
<b>ESTIMATED SHIPPING WEIGHT</b> <sup>4</sup>			
<b>Case</b>	<i>8 ft</i>	<i>12 ft</i>	<b>Solid End</b>
			<i>(each)</i>
<b>lb (kg)</b>	1200 (544)	1400 (635)	100 (45)

<sup>4</sup> Actual weights will vary according to optional kits included.



# Optional Shelf Lighting Fluorescent Fixtures

## Optional Shelf Harness and Light Circuits for Five Rows of Shelves



### WARNING

All components must have mechanical ground, and the merchandiser must be grounded.

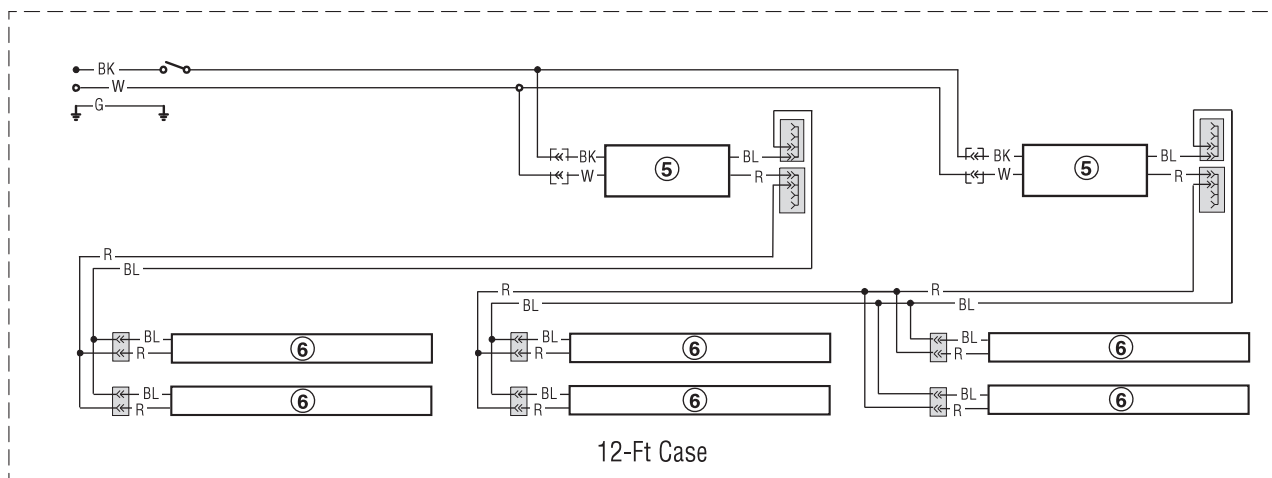
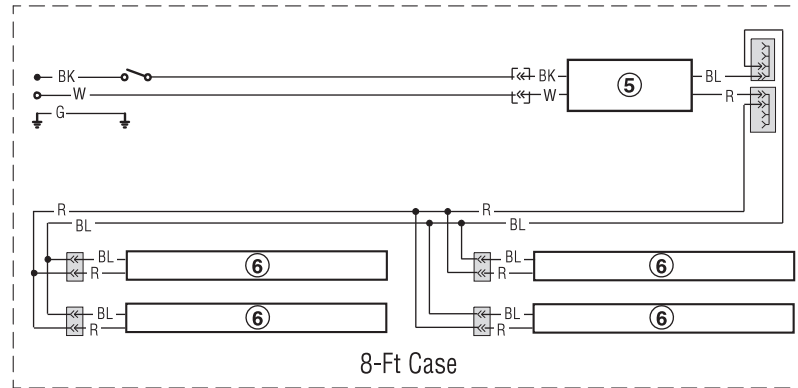
CIRCLED NUMBERS = PARTS LIST ITEM NUMBERS

R = Red Y = Yellow G = Green BL = Blue BK = Black W = White

● = 120V POWER    ○ = 120V NEUTRAL    ⏚ = FIELD GROUND    ⏏ = CASE GROUND

# Optional Canopy Lighting LED Fixtures

## Standard LED Canopy Lighting — 2 Row Canopy



### WARNING

All components must have mechanical ground, and the merchandiser must be grounded.

CIRCLED NUMBERS = PARTS LIST ITEM NUMBERS

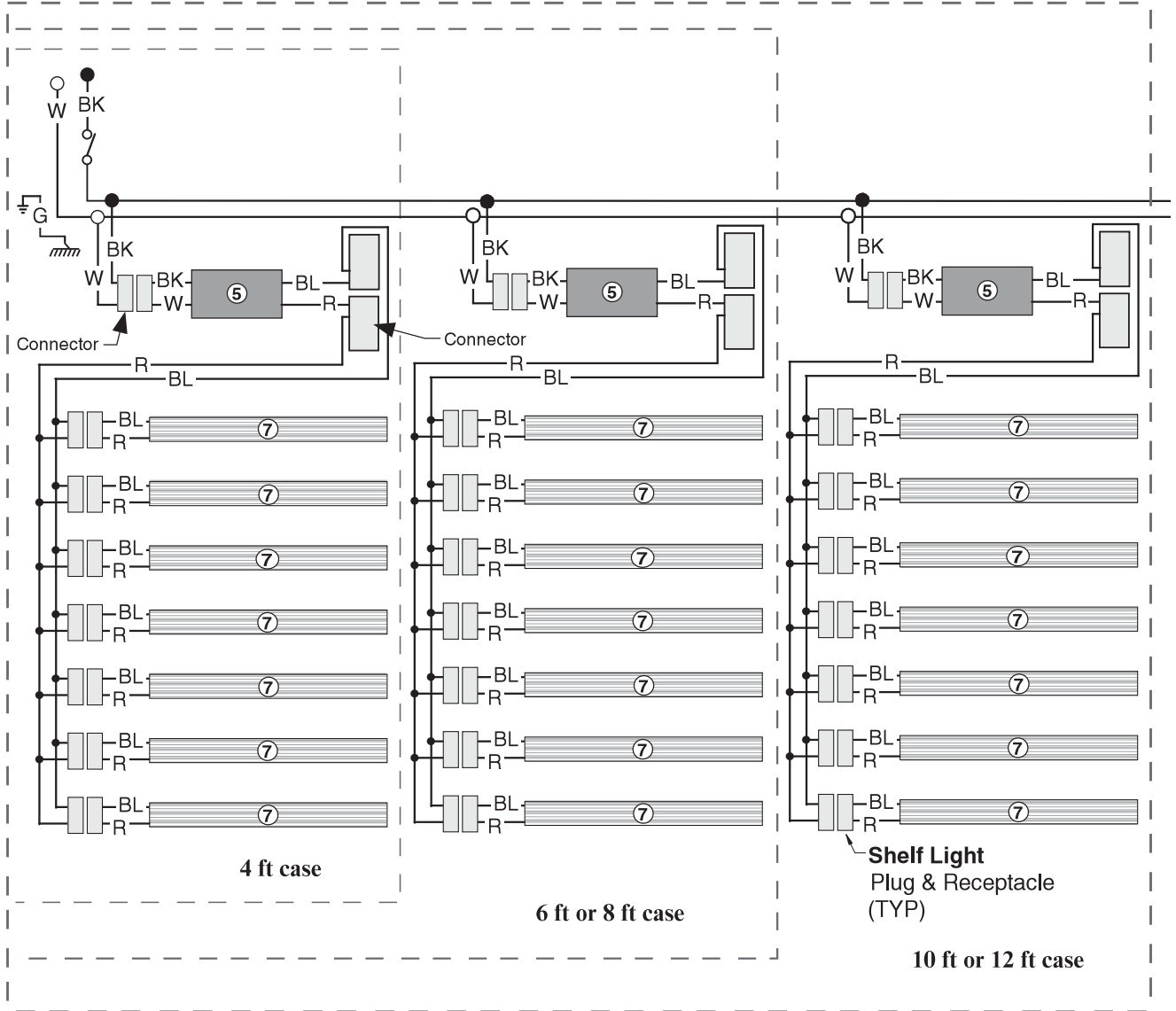
R = Red Y = Yellow G = Green BL = Blue BK = Black W = White

● = 120V POWER ○ = 120V NEUTRAL ⊥ = FIELD GROUND ≡ = CASE GROUND



# Optional Shelf Lighting LED Fixtures

## Optional Shelf Harness and LED Light Circuits for 3, 4, 5, 6 & 7 Rows of Shelves



### WARNING

All components must have mechanical ground, and the merchandiser must be grounded.

CIRCLED NUMBERS = PARTS LIST ITEM NUMBERS

R = Red      G = Green      BL = Blue      BK = Black      W = White  
 ● = 120V POWER      ○ = 120V NEUTRAL      ⚡ = FIELD GROUND      ⏏ = CASE GROUND