

IMPORTANT INSTALLER!

Donut GASKET must be installed ON EACH END as shown.

INSTALLER IS RESPONSIBLE for properly joining and installing merchandisers as described in joining instruction, P/N 0387177.

**RLNI
RLNIE**

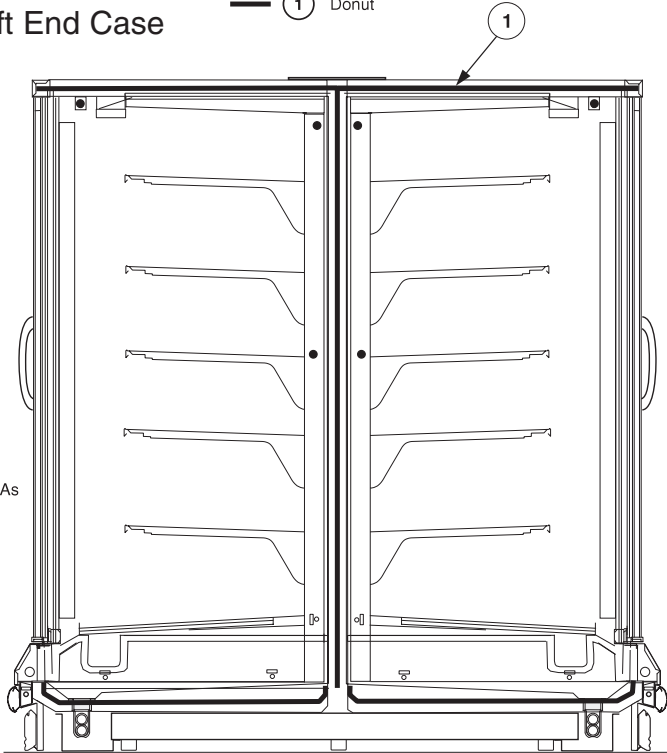


RLNI

Left End Case

— (1) Donut

Gaskets
Must Be
Applied As
Shown

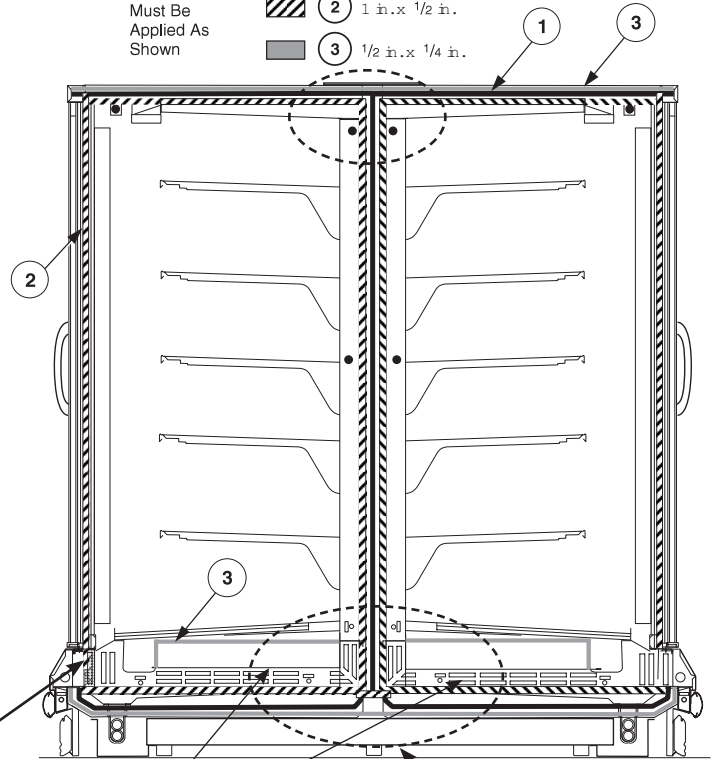


RLNI

Right End Case

- (1) Donut
- ▨ (2) 1 in. x 1/2 in.
- (3) 1/2 in. x 1/4 in.

Gaskets
Must Be
Applied As
Shown



Pad Shoe
Sealer



Use 2 Gasket Pad Sealer for right end case.