

We reserve the right to change or revise specifications and product design in connection with any feature of our products. Such changes do not entitle the buyer to corresponding changes, improvements, additions or replacements for equipment previously sold or shipped.

Item	Part #	Description	Wiring Item #	Item	Part #	Description	Wiring Item #
FAN ASSEMBLIES				LAMPS AND BALLASTS			
8 Ft & 12 Ft				D.	Ballast, Electronic		(4)
A.	7W Standard Fan Assembly		(1)	0480130	2 lamps (BA.4481676)		
	0058698	Fan Motor, Evaporator (MO.4410102)		0480131	3 lamps (BA.4481654)		
	0142780	Fan Blade (FB.0142780)		0480132	4 lamps (BA.4481677)		
	7W Energy Efficient Fan Assembly		(1)	E.	Fluorescent Lamp		(5)
	0477654	Fan Motor, Evaporator (MO.4410545)			<i>Replace with like fixtures</i>		
	0142780	Fan Blade (FB.0142780)		LED FIXTURES AND POWER SUPPLY			
THERMOSTATS				F.	0501213	Power Supply (EP.4481861)	(6)
B.	0411744	Standard Non-adjustable Defrost Thermostat (CT.0411744)	(2)	G.	LED Canopy Fixture		(7)
C.	Optional Adjustable Refrigeration Thermostat		(3)		<i>Replace with like fixtures — See Page 5.</i>		
				H.	LED Shelf Fixture		(8)
					<i>Replace with like fixtures — See Page 5.</i>		

Note: Revision E adds Btu note (page 3), EcoShine LED (page 4) and parts (page 5), and revises canopy wiring diagram (page 6). Other changes marked by bar, underline or circle.



Engineering Plan Views

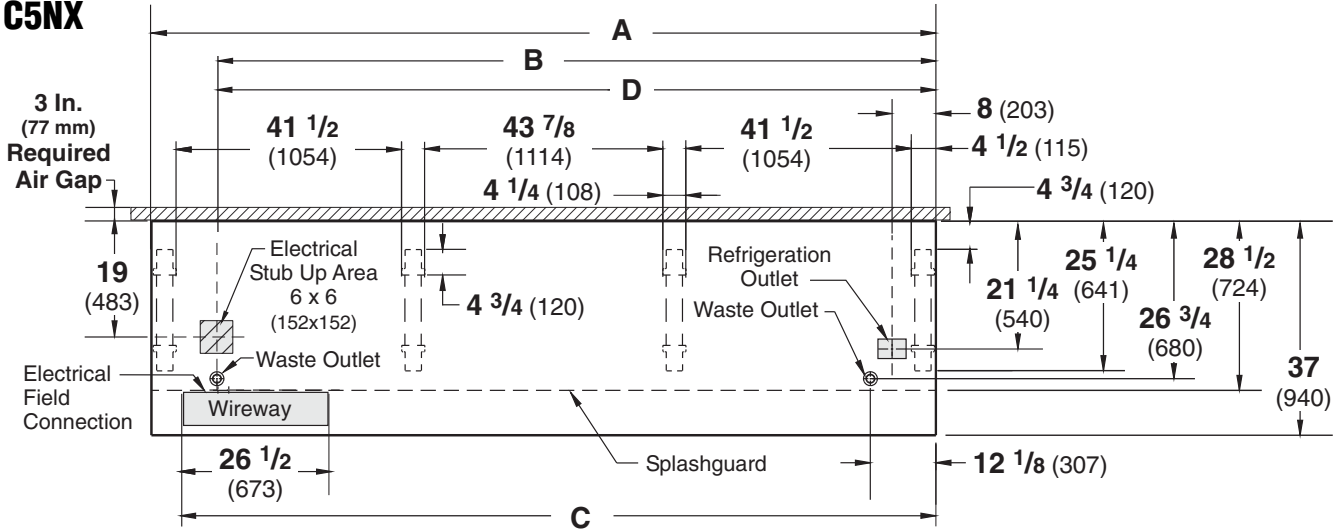
PHYSICAL DATA	
Merchandiser Drip Pipe (in.)	1 1/4
Merchandiser Liquid Line (in.)	3/8
Merchandiser Suction Line (in.)	7/8

Convertible

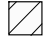



Dimensions shown as in. and (mm).

09-2005

C5NX

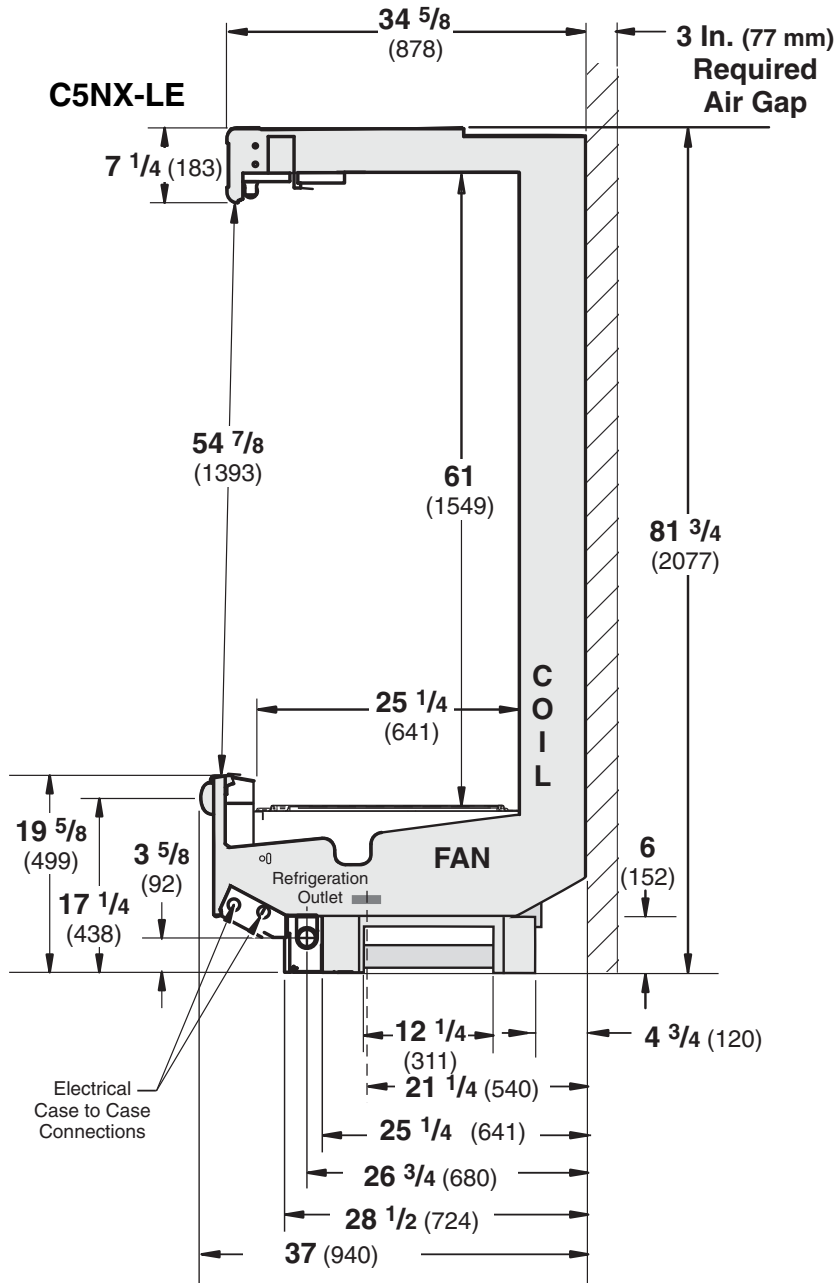


NOTE: Case-to-Case Electrical Connections are made IN FRONT OF SPLASHGUARD.

	8 ft	12 ft
General		
(A) Case Length (<i>without ends or partitions</i>) (Each end and insulated partition adds 1 1/2 in. (38 mm) to case line up.) Maximum O/S dimension of case back to front (includes bumper)	96 3/8 (2448)	144 1/2 (3670)
Back of case to front of splashguard	37 (940)	37 (940)
Back of case to O/S edge of front leg	28 1/2 (724)	28 1/2 (724)
Distance between edges of external legs and center legs	25 1/4 (641)	25 1/4 (641)
Distance between edges of center legs	41 1/2 (1054)	41 1/2 (1054)
Distance between front legs and splashguard	NA	43 7/8 (1114)
	2 3/4 (70)	2 3/4 (70)
Electrical Service  (<i>Electrical Field Wiring connection point</i>)		
(B) RH End of case to center of stub up area Back of case to center of stub up area Length of electrical wireway 	84 1/4 (2140) 19 (483) 26 1/2 (673)	132 3/8 (3363) 19 (483) 26 1/2 (673)
(C) RH End of case to LH end of wireway	90 1/8 (2289)	138 1/4 (3511)
Waste Outlets (<i>One each end</i>) 		
(D) RH End of case to the center of LH waste outlet RH End of case to the center of RH waste outlet Back O/S of case to center of waste outlets Schedule 40 PVC drip pipe	84 1/4 (2140) 12 1/8 (307) 26 3/4 (680) 1 1/4 (32)	132 3/8 (3363) 12 1/8 (307) 26 3/4 (680) 1 1/4 (32)
Refrigeration Outlet 		
Back of case to center of refrigeration outlet RH end of case to center of refrigeration outlet	21 1/4 (540) 8 (203)	21 1/4 (540) 8 (203)

Multi-deck, 5 Display Levels, Low Front

Dimensions shown as in. and (mm).



NSF Certification

This merchandiser model is manufactured to meet ANSI/NSF (National Sanitation Foundation) Standard #7 requirements for construction, materials & cleanability.

Impact *Excel* C5NX-LE
Dairy & Delicatessen

REFRIGERATION DATA

Note: This data is based on store temperature and humidity that does not exceed 75°F and 55% R.H.

C5NX-LE	Deli	Dairy
Discharge Air °F	29	31
Evaporator °F	21	24
Unit Sizing °F	19	22

Btu/hr/ft ‡ — *Unlit Shelves* ††

C5NX-LE	Parallel	Conventional
DELI	1715	1820
DAIRY	1420	1555

‡ Optional energy efficient motors reduce the refrigeration load by 46 Btu/hr/ft.
 †† Add 10 Btu/hr/ft *per shelf row* for LED fixtures.
 Add 20 Btu/hr/ft *per shelf row* for fluorescent lamps.

DEFROST DATA

	C5NX-LE
Frequency Hr	6
Defrost Water (lb/ft/day)	10.50

(± 15% based on case configuration and product loading).

	C5NX-LE
OFFTIME	
Temp Term °F	48
Failsafe Minutes	35

ELECTRIC OR GAS Not Recommended

Standard Defrost Thermostat
 Close on rise: close 48°F — open 33°F

CONVENTIONAL CONTROLS

	C5NX-LE
Low Pressure Backup Control	
CI/CO*	
Deli	Dairy
14°F / 4°F	17°F / 7°F

Indoor Unit Only, Pressure Defrost Termination* 48°F

*Use a Temperature Pressure Chart to determine PSIG conversions.

	C5NX-LE		
Estimated Charge**			
8 ft	3.2 lb	51 oz	1.4 kg
12 ft	4.5 lb	72 oz	2.0 kg

**This is an average for all refrigerant types. Actual refrigerant charge may vary by approximately half a pound.

Impact *Excel* C5NX-LE

Dairy & Delicatessen

Electrical Data

	8 ft		12 ft	
	4		6	
	Amperes		Watts	
	8 ft	12 ft	8 ft	12 ft
Number of Fans—7W				
Evaporator Fan				
120V 60Hz Standard	2.00	3.00	156	234
120V 50Hz Standard	2.20	3.30	168	252
230V 60Hz Export	1.00	1.50	156	234
230V 50Hz Export	1.12	1.68	168	252
120V 60Hz Energy Efficient	0.76	1.14	56	84
230V 60Hz Energy Efficient	0.40	0.60	56	84
Minimum Circuit Ampacity				
120V 60Hz Standard	2.20	3.20		
120V 50Hz Standard	2.40	3.50		
230V 60Hz Export	1.20	1.70		
230V 50Hz Export	1.32	1.88		
120V 60Hz Energy Efficient	0.96	1.34		
230V 60Hz Energy Efficient	0.60	0.80		
Maximum Over Current Protection 120V				
Maximum Over Current Protection 120V	20	20		
Maximum Over Current Protection 230V				
Maximum Over Current Protection 230V	15	15		
Standard Lighting (T-8 Fluorescent)				
1 Row Canopy	0.51	0.77	59	85
Optional Lighting (T-8 Fluorescent)				
Additional 1 Row Canopy	0.51	0.77	59	85
Additional 2 Row Canopy	1.02	1.54	118	170
Additional 3 Row Canopy	1.53	2.31	177	255
1 Row Rail Light	0.51	0.77	59	85
1 Row of Shelves	0.51	0.77	59	85
4 Rows of Shelves	2.04	3.08	236	340
5 Rows of Shelves	2.55	3.85	295	425
6 Rows of Shelves	3.06	4.62	354	510
EcoShine Multi-deck — Normal CRI—120VAC, 50/60Hz				
2 Row Canopy (Front & Rear)	0.55	0.82	66	98
1 Row of Shelves	0.20	0.29	24	35
4 Rows of Shelves	0.78	1.17	93	140
5 Rows of Shelves	0.97	1.45	116	174
6 Rows of Shelves	1.17	1.74	140	209
EcoShine Multi-deck — High CRI —120VAC, 50/60Hz				
2 Row Canopy (Front & Rear)	0.63	0.93	75	112
1 Row of Shelves	0.23	0.35	28	42
4 Rows of Shelves	0.93	1.40	112	168
5 Rows of Shelves	1.17	1.75	140	210
6 Rows of Shelves	1.40	2.10	168	252
Always*Bright Multi-deck —120VAC, 50/60Hz				
2 Row Canopy (Front & Rear)	0.71	1.08	85	130
1 Row of Shelves	0.23	0.38	28	45
4 Rows of Shelves	0.93	1.40	112	168
5 Rows of Shelves	1.13	1.69	136	203
6 Rows of Shelves	1.33	2.00	160	240

120V Lighting Circuit Total = Standard Lighting + Total Optional Lighting + Optional Shelf Lighting

230V Lighting Circuit Total = Multiply 120V Lighting Circuit Total by 0.52

Product Data

<i>Recommended Usable Cube</i> ¹ (Cu Ft/Ft)	7.10 ft ³ /ft (0.66 m ³ /m)
<i>AHRI Total Display Area</i> ² (Sq Ft/Ft)	4.77 ft ² /ft (1.45 m ² /m)
<i>Shelf Area</i> ³ (Sq Ft/Ft)	7.47 ft ² /ft (2.28 m ² /m)

¹ AHRI Refrigerated Volume less shelving and other unusable space: Refrigerated Volume/Unit of Length, ft³/ft [m³/m]

² Computed using AHRI 1200 standard methodology: Total Display Area, ft² [m²]/Unit of Length, ft [m]

³ Shelf surface area is composed of bottom deck plus standard shelf complement, as shown in the Hussmann *Product Reference Guide*. The standard shelf complement for this model is (4) rows of 16-inch shelves.

ESTIMATED SHIPPING WEIGHT⁴

Case			Solid End
	<i>8 ft</i>	<i>12 ft</i>	<i>(each)</i>
lb (kg)	1200 (544)	1400 (635)	100 (45)

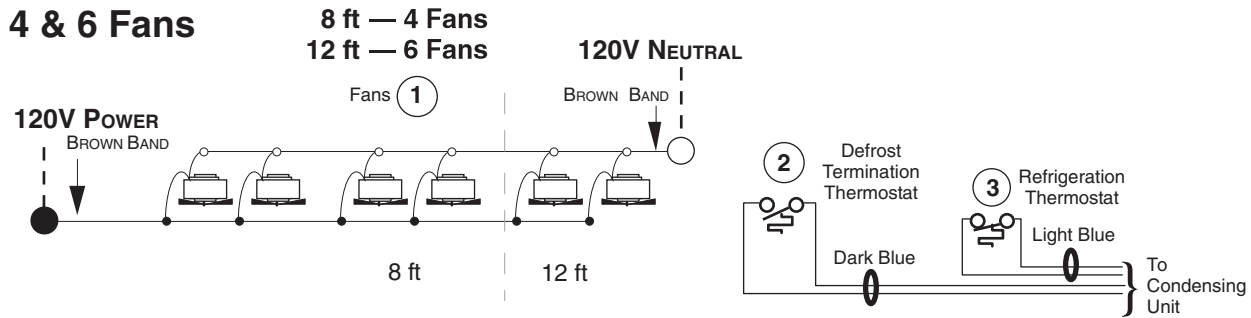
⁴ Actual weights will vary according to optional kits included.

PARTS LIST (Continued from Page 1)

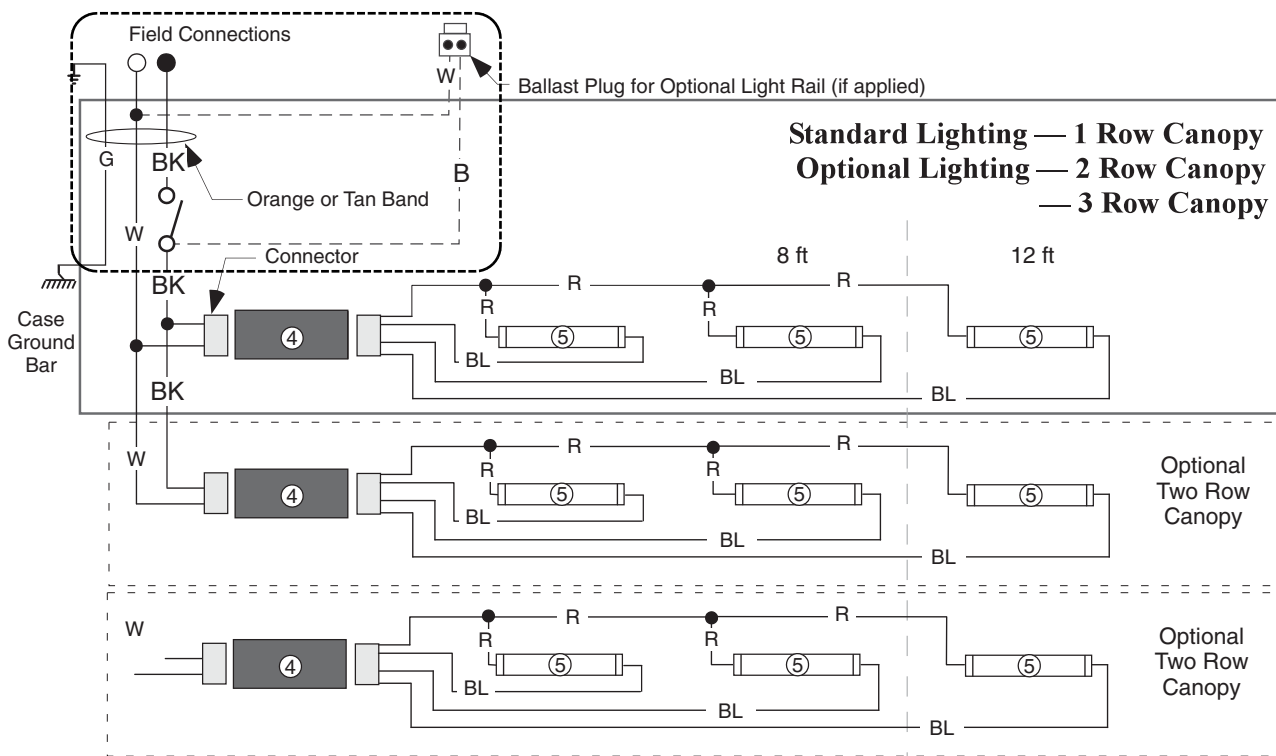
Item	Part #	Description	Item	Part #	Description
LED FIXTURES AND POWER SUPPLY					
F.	0501213	Power Supply (EP.4481861) (6)	H.	EcoShine LED Shelf Fixture (8)	
G.	EcoShine LED Canopy Fixture (7)		4441590	48-inch	2900K HCRI
	4441720	Front 48-inch	4441591	48-inch	3500K HCRI
	4441722	Front 48-inch	4441592	48-inch	3500K
	4441724	Front 48-inch	4441593	48-inch	4100K
	4441726	Front 48-inch			
	4441721	Rear 48-inch			
	4441723	Rear 48-inch			
	4441725	Rear 48-inch			
	4441727	Rear 48-inch			

Note: Always*Bright lamps will be replaced with the latest generation of EcoShine lamps.

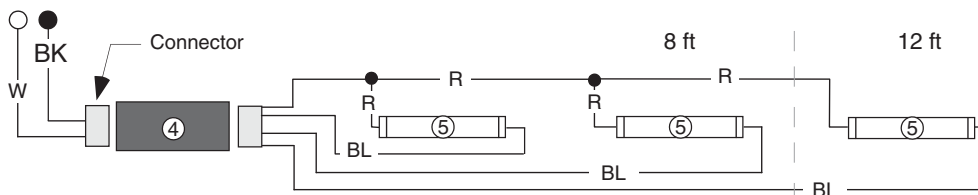
Fan Wiring Offtime Defrost



Light Circuits — Fluorescent Fixtures



Optional Lighting — 1 Row Rail



WARNING

All components must have mechanical ground, and the merchandiser must be grounded.

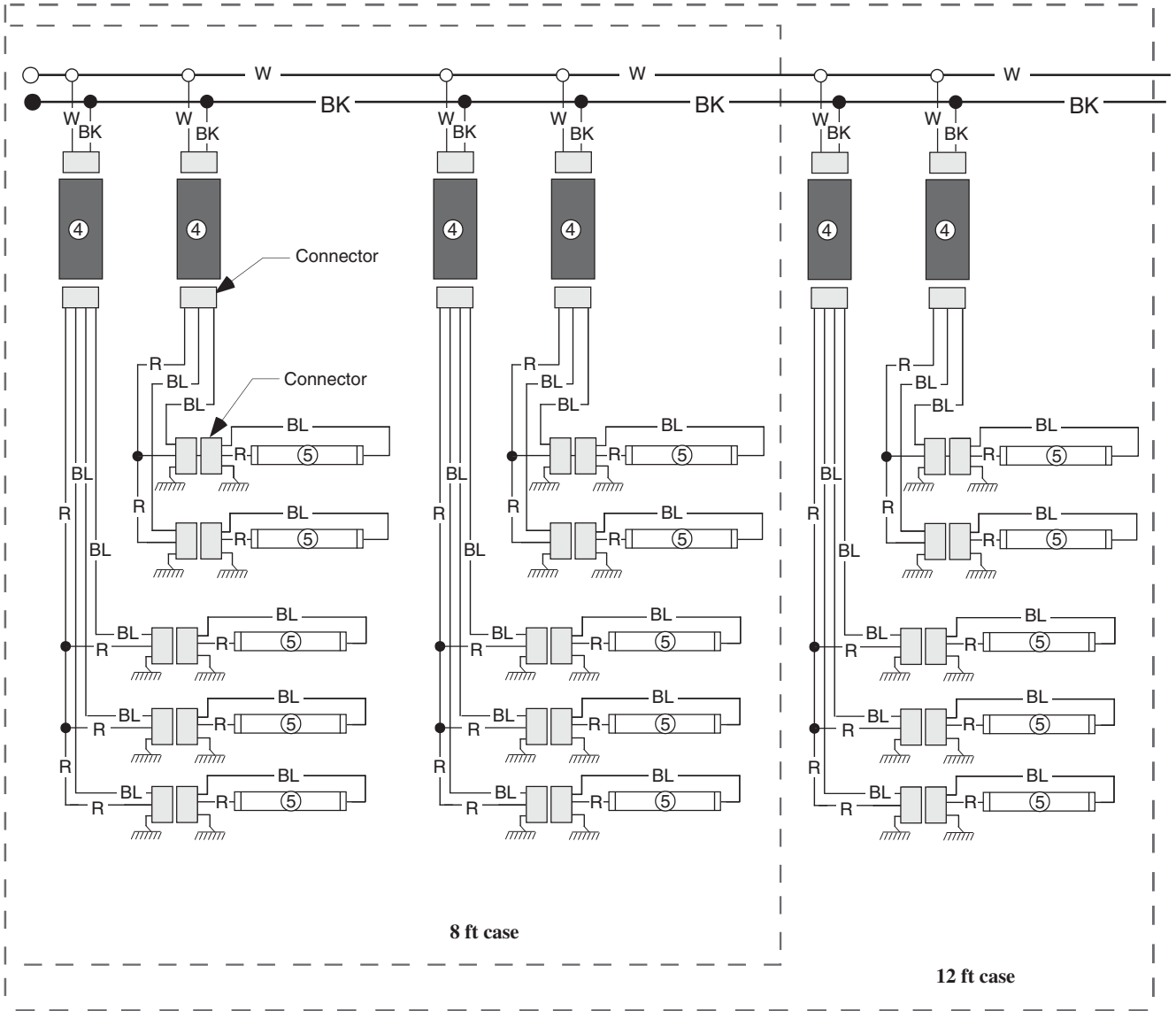
CIRCLED NUMBERS = PARTS LIST ITEM NUMBERS

R = Red Y = Yellow G = Green BL = Blue BK = Black W = White

● = 120V POWER ○ = 120V NEUTRAL ⊥ = FIELD GROUND *mm* = CASE GROUND

Optional Shelf Lighting Fluorescent Fixtures

Optional Shelf Harness and Light Circuits for Five Rows of Shelves



WARNING

All components must have mechanical ground, and the merchandiser must be grounded.

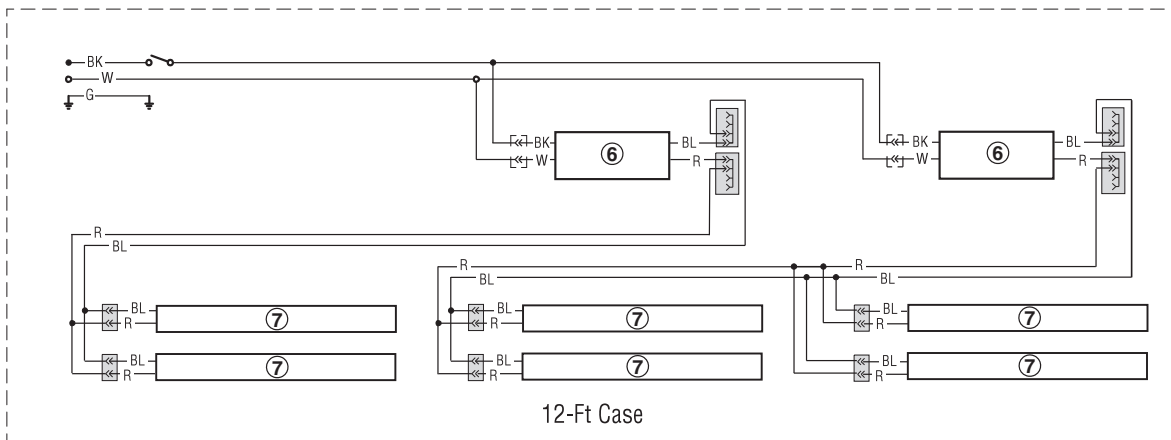
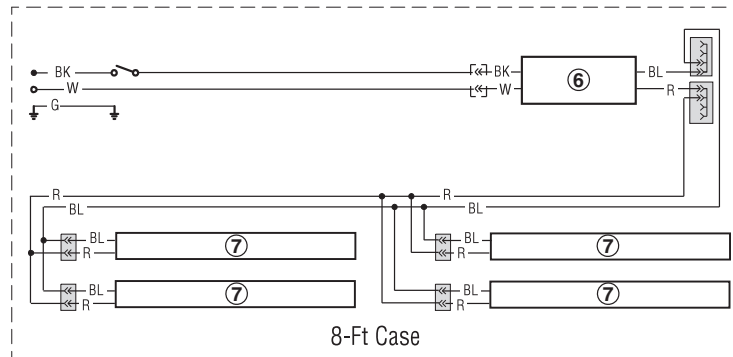
CIRCLED NUMBERS = PARTS LIST ITEM NUMBERS

R = Red Y = Yellow G = Green BL = Blue BK = Black W = White

● = 120V POWER ○ = 120V NEUTRAL ⚡ = FIELD GROUND ≡ = CASE GROUND

Optional Canopy Lighting LED Fixtures

Standard LED Canopy Lighting — 2 Row Canopy



WARNING

All components must have mechanical ground, and the merchandiser must be grounded.

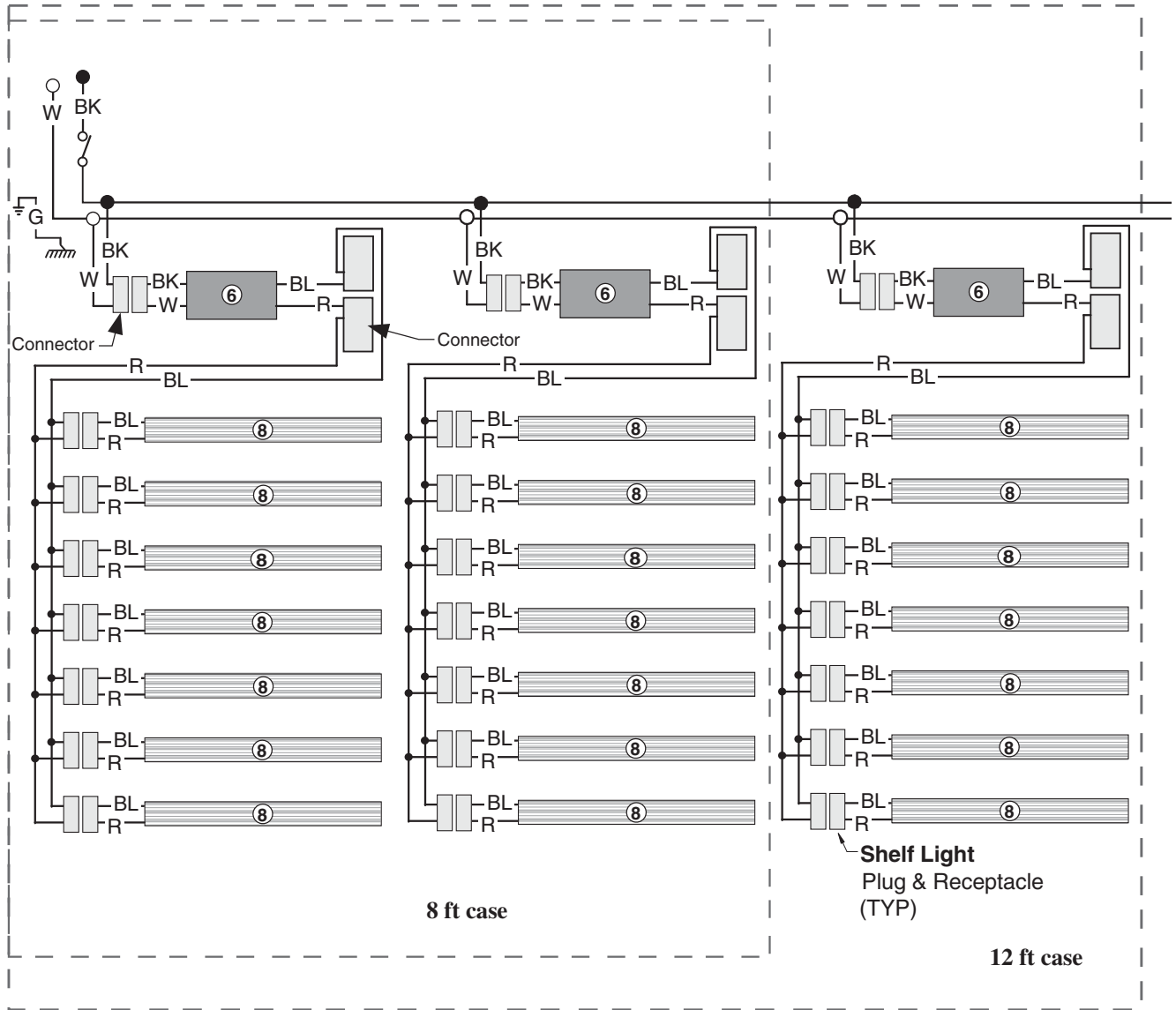
CIRCLED NUMBERS = PARTS LIST ITEM NUMBERS

R = Red Y = Yellow G = Green BL = Blue BK = Black W = White

● = 120V POWER ○ = 120V NEUTRAL ⊥ = FIELD GROUND ≡ = CASE GROUND

Optional Shelf Lighting LED Fixtures

Optional Shelf Harness and LED Light Circuits for 3, 4, 5, 6 & 7 Rows of Shelves



WARNING

All components must have mechanical ground, and the merchandiser must be grounded.

CIRCLED NUMBERS = PARTS LIST ITEM NUMBERS

R = Red G = Green BL = Blue BK = Black W = White

● = 120V POWER ○ = 120V NEUTRAL ⊥ = FIELD GROUND ≡ = CASE GROUND