

We reserve the right to change or revise specifications and product design in connection with any feature of our products. Such changes do not entitle the buyer to corresponding changes, improvements, additions or replacements for equipment previously sold or shipped.

Item	Part #	Description	Wiring Item #	Item	Part #	Description	Wiring Item #
FAN ASSEMBLIES				THERMOSTATS			
4 Ft, 8 Ft & 12 Ft				B. \Optional Adjustable Refrigeration Thermostat (2)			
A.	25W Standard	Fan Assembly	(1)	LAMPS AND BALLASTS			
	0501486	Fan Motor, Evaporator (MO.4410702)		C.	Ballast, Electronic		(3)
	0501484	Fan Blade (FB.4780657)			0480130	2 lamps (BA.4481676)	
	25W Energy Efficient	Fan Assembly	(1)		0480131	3 lamps (BA.4481654)	
	0501485	Fan Motor, Evaporator (MO.4410701)			0480132	4 lamps (BA.4481677)	
	0501484	Fan Blade (FB.4780657)		D.	Fluorescent Lamp		(4)
					<i>Replace with like fixtures</i>		
6 Ft Only				LED FIXTURES AND POWER SUPPLY			
A.	7W Standard	Fan Assembly	(1)	E.	0501213	Power Supply (EP.4481861)	(5)
	0058698	Fan Motor, Evaporator (MO.4410102)		F.	LED Canopy Fixture		(6)
	0142780	Fan Blade (FB.0142780)			<i>Replace with like fixtures — See Page 5.</i>		
	7W Energy Efficient	Fan Assembly	(1)	G.	LED Shelf Fixture		(7)
	0477654	Fan Motor, Evaporator (MO.4410545)			<i>Replace with like fixtures — See Page 5.</i>		
	0142780	Fan Blade (FB.0142780)					

Note: Revision F adds Btu note (page 3), EcoShine LED (page 4) and parts (page 5), and revises canopy wiring diagram (page 6). Other changes marked by bar, underline or circle.



Engineering Plan Views

PHYSICAL DATA

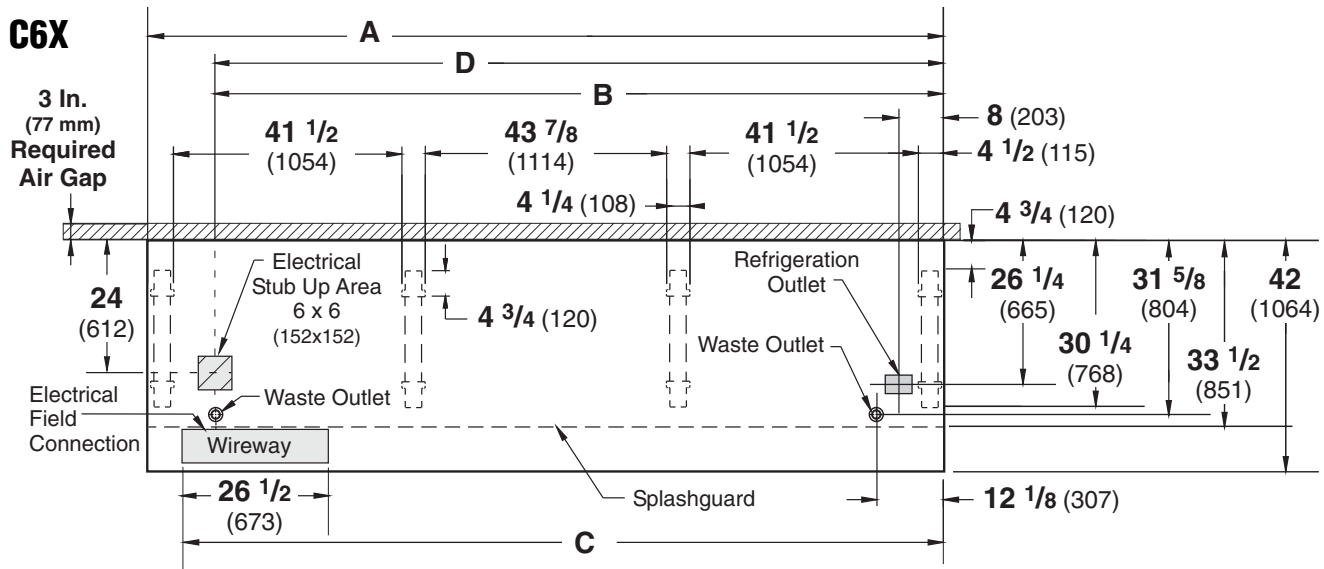
Merchandiser Drip Pipe (in.)	1 1/4
Merchandiser Liquid Line (in.)	3/8
Merchandiser Suction Line (in.)	7/8

Convertible

Dimensions shown as in. and (mm).


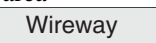


09-2005

C6X



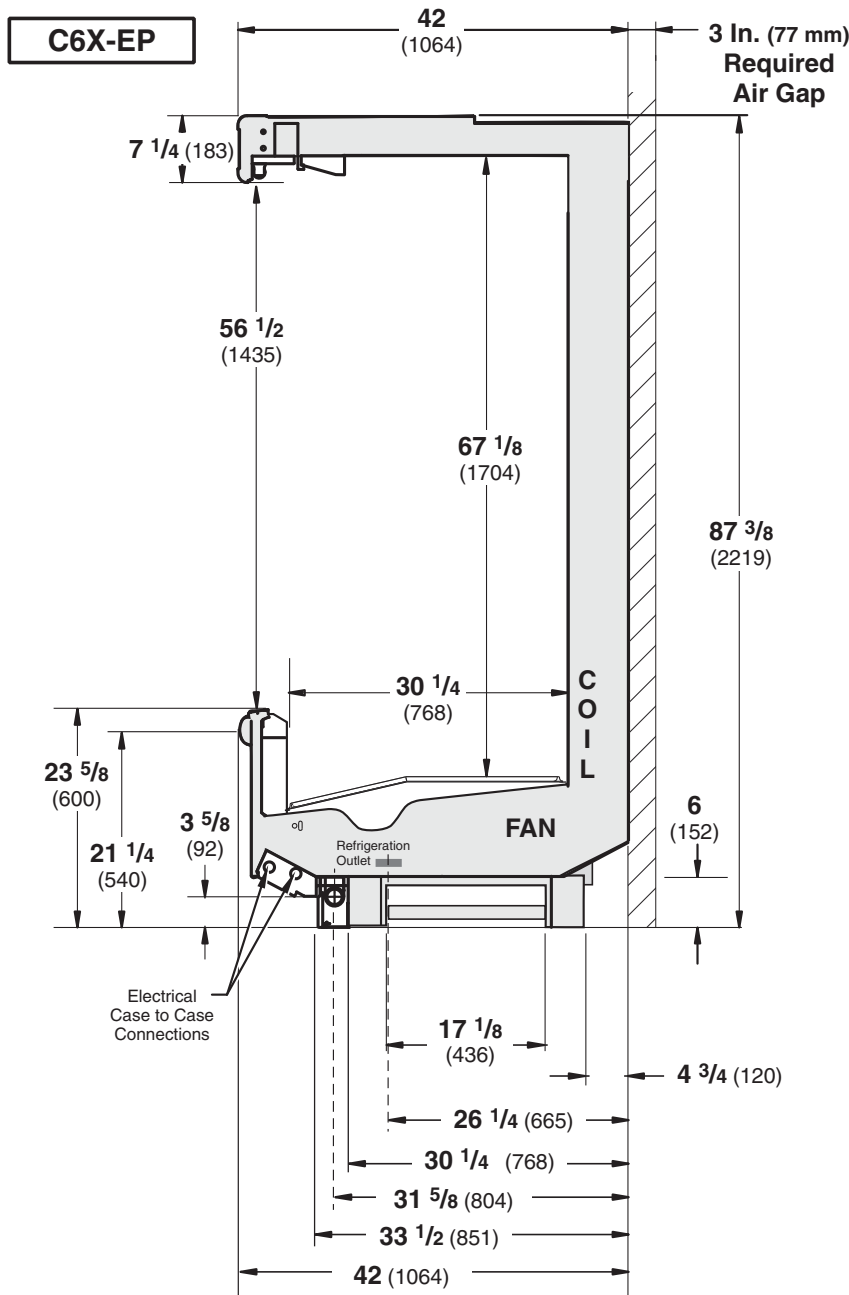
NOTE: Case-to-Case Electrical Connections are made IN FRONT OF SPLASHGUARD.

FRONT

	4 ft	6 ft	8 ft	12 ft
General				
(A) Case Length (<i>without ends or partitions</i>)	48 3/8 (1229)	72 3/8 (1838)	96 3/8 (2448)	144 1/2 (3670)
<i>(Each end and insulated partition adds 1 1/2 in. (38 mm) to case line up.)</i>				
Maximum O/S dimension of case back to front <i>(includes bumper)</i>	42 (1064)	42 (1064)	42 (1064)	42 (1064)
Back of case to front of splashguard	33 1/2 (851)	33 1/2 (851)	33 1/2 (851)	33 1/2 (851)
Back of case to O/S edge of front leg	30 1/4 (768)	30 1/4 (768)	30 1/4 (768)	30 1/4 (768)
Distance between edges of external legs and center legs	NA	29 1/2 (750)	41 1/2 (1054)	41 1/2 (1054)
Distance between edges of center legs	NA	NA	NA	43 7/8 (1114)
Distance between front legs and splashguard	2 3/4 (70)	2 3/4 (70)	2 3/4 (70)	2 3/4 (70)
Electrical Service  (<i>Electrical Field Wiring connection point</i>)				
(B) RH End of case to center of stub up area	36 1/4 (921)	60 1/4 (1530)	84 1/4 (2140)	132 3/8 (3363)
Back of case to center of stub up area	24 (612)	24 (612)	24 (612)	24 (612)
Length of electrical wireway 	26 1/2 (673)	26 1/2 (673)	26 1/2 (673)	26 1/2 (673)
(C) RH End of case to LH end of wireway	42 1/8 (1070)	66 1/8 (1680)	90 1/8 (2289)	138 1/4 (3511)
Waste Outlets (<i>One each end</i>) 				
(D) RH End of case to the center of LH waste outlet	36 1/4 (921)	60 1/4 (1530)	84 1/4 (2140)	132 3/8 (3363)
RH End of case to the center of RH waste outlet	12 1/8 (307)	12 1/8 (307)	12 1/8 (307)	12 1/8 (307)
Back O/S of case to center of waste outlets	31 5/8 (804)	31 5/8 (804)	31 5/8 (804)	31 5/8 (804)
Schedule 40 PVC drip pipe	1 1/4 (32)	1 1/4 (32)	1 1/4 (32)	1 1/4 (32)
Refrigeration Outlet 				
Back of case to center of refrigeration outlet	26 1/4 (665)	26 1/4 (665)	26 1/4 (665)	26 1/4 (665)
RH end of case to center of refrigeration outlet	8 (203)	8 (203)	8 (203)	8 (203)

Impact *Excel* C6X-EP
Dairy/Delicatessen/Produce

Dimensions shown as in. and (mm).



REFRIGERATION DATA

Note: This data is based on store temperature and humidity that does not exceed 75°F and 55% R.H.

C6X-EP	DAIRY/DELI/PRODUCE†	
	UNLIT	LIT
Discharge Air (°F)	33	31
Evaporator (°F)	28	26
Unit Sizing (°F)	26	24

†For red meat application, lower evaporator temperature and unit sizing 3°F. increase Btu 5%.

Btu/hr/ft² — Unlit Shelves‡‡

C6X-EP	DAIRY/DELI/PRODUCE	
	Parallel	Conventional
UNLIT	1405	1465

‡ Optional energy efficient motors reduce the refrigeration load by 46 Btu/hr/ft (4 ft, 8 ft and 12 ft models), and 18 Btu/hr/ft (6 ft models).
‡‡ Add 10 Btu/hr/ft *per shelf row* for LED fixtures.
Add 20 Btu/hr/ft *per shelf row* for fluorescent lamps.

DEFROST DATA

	C6X-EP
Frequency Hr	12
Defrost Water (lb/ft/day)	10.5

(± 15% based on case configuration and product loading).

	C6X-EP
OFFTIME TIME (minutes)	30
ELECTRIC OR GAS	Not Recommended

CONVENTIONAL CONTROLS

Low Pressure Backup Control

CI/CO*

C6X-EP	DAIRY/DELI/PRODUCE††
Temp (°F)	19°F / 9°F

Indoor Unit Only, Pressure Defrost

Termination*	48°F
--------------	------

*Use a Temperature Pressure Chart to determine PSIG conversions.

†For red meat application, reduce low pressure backup control by 3°F.

Estimated Charge **	C6X-EP		
4 ft	1.9 lb	30 oz	0.9 kg
6 ft	2.6 lb	42 oz	1.2 kg
8 ft	3.7 lb	59 oz	1.7 kg
12 ft	5.1 lb	82 oz	2.3 kg

**This is an average for all refrigerant types. Actual refrigerant charge may vary by approximately half a pound.

NSF Certification

This merchandiser model is manufactured to meet ANSI/NSF (National Sanitation Foundation) Standard #7 requirements for construction, materials & cleanability.

Impact *Excel* C6X-EP

Dairy/Delicatessen/Produce

	4 ft	6 ft	8 ft	12 ft
Number of Fans—25W	1	—	2	3
Number of Fans—7W	—	4	—	—

Electrical Data

Evaporator Fan	Amperes				Watts			
	4 ft	6 ft	8 ft	12 ft	4 ft	6 ft	8 ft	12 ft
120V 60Hz Standard	1.23	2.00	2.46	3.69	90	156	180	270
120V 50Hz Standard	1.33	2.20	2.66	3.99	103	168	206	309
230V 60Hz Export	0.66	1.00	1.32	1.98	100	156	200	300
230V 50Hz Export	0.76	1.12	1.52	2.28	114	168	228	342
120V 60Hz Energy Efficient	0.60	0.76	1.20	1.80	36	56	72	108
230V 60Hz Energy Efficient	0.30	0.40	0.60	0.90	36	56	72	108

Minimum Circuit Ampacity

120V 60Hz Standard	1.43	2.20	2.66	3.89
120V 50Hz Standard	1.53	2.40	2.86	4.19
230V 60Hz Export	0.86	1.20	1.52	2.18
230V 50Hz Export	0.96	1.32	1.72	2.48
120V 60Hz Energy Efficient	0.80	0.96	1.40	2.00
230V 60Hz Energy Efficient	0.50	0.60	0.80	1.10

Maximum Over Current Protection 120V

Maximum Over Current Protection 120V	20	20	20	20
--------------------------------------	----	----	----	----

Maximum Over Current Protection 230V	15	15	15	15
--------------------------------------	----	----	----	----

Standard Lighting (T-8 Fluorescent)

1 Row Canopy	0.26	0.51	0.51	0.77	30	59	59	85
--------------	------	------	------	------	----	----	----	----

Optional Lighting (T-8 Fluorescent)

Additional 1 Row Canopy	0.26	0.51	0.51	0.77	30	59	59	85
Additional 2 Row Canopy	0.51	1.02	1.02	1.54	59	118	118	170
Additional 3 Row Canopy	0.77	1.53	1.53	2.31	89	177	177	255
1 Row Rail Light	0.26	0.51	0.51	0.77	30	59	59	85
1 Row of Shelves	0.26	0.51	0.51	0.77	30	59	59	85
2 Rows of Shelves	0.51	1.02	1.02	1.54	59	118	118	170
3 Rows of Shelves	0.77	1.53	1.53	2.31	89	177	177	255
4 Rows of Shelves	1.02	2.04	2.04	3.08	118	236	236	340
5 Rows of Shelves	1.28	2.55	2.55	3.85	148	295	295	425
6 Rows of Shelves	1.53	3.06	3.06	4.62	177	354	354	510

EcoShine Multi-deck Canopy Normal (CRI) — 120VAC, 50/60Hz

2 Row Canopy (Front & Rear)	0.28	0.41	0.55	0.82	33	49	66	98
1 Row of Shelves	0.10	0.15	0.20	0.29	12	18	24	35
2 Rows of Shelves	0.20	0.29	0.39	0.58	24	35	47	70
3 Rows of Shelves	0.29	0.44	0.58	0.88	35	53	70	105
4 Rows of Shelves	0.39	0.58	0.78	1.17	47	70	93	140
5 Rows of Shelves	0.48	0.73	0.97	1.45	58	87	116	174
6 Rows of Shelves	0.58	0.88	1.17	1.74	70	105	140	209
7 Rows of Shelves	0.68	1.02	1.36	2.03	82	122	163	244

EcoShine Multi-deck Canopy High CRI — 120VAC, 50/60Hz

2 Row Canopy (Front & Rear)	0.32	0.47	0.63	0.93	38	56	75	112
1 Row of Shelves	0.12	0.18	0.23	0.35	14	21	28	42
2 Rows of Shelves	0.23	0.35	0.47	0.70	28	42	56	84
3 Rows of Shelves	0.35	0.53	0.70	1.05	42	63	84	126
4 Rows of Shelves	0.47	0.70	0.93	1.40	56	84	112	168
5 Rows of Shelves	0.58	0.88	1.17	1.75	70	105	140	210
6 Rows of Shelves	0.70	1.05	1.40	2.10	84	126	168	252
7 Rows of Shelves	0.82	1.23	1.63	2.45	98	147	196	294

120V Lighting Circuit Total = Standard Lighting + Total Optional Lighting + Optional Shelf Lighting

230V Lighting Circuit Total = Multiply 120V Lighting Circuit Total by 0.52

Product Data

Recommended Usable Cube ¹ (Cu Ft/Ft)	9.79 ft ³ /ft (0.91 m ³ /m)
ARI Total Display Area ² (Sq Ft/Ft)	4.92 ft ² /ft (1.50 m ² /m)
Shelf Area ³ (Sq Ft/Ft)	11.73 ft ² /ft (3.58 m ² /m)

- ¹ ARI Refrigerated Volume less shelving and other unusable space: Refrigerated Volume/Unit of Length, ft³/ft [m³/m]
² Computed using ARI 1200 standard methodology: Total Display Area, ft² [m²]/Unit of Length, ft [m]
³ Shelf surface area is composed of bottom deck plus standard shelf complement, as shown in the Hussmann *Product Reference Guide*. The standard shelf complement for this model is (5) rows of 22-inch shelves.

ESTIMATED SHIPPING WEIGHT ⁴					
Case					Solid End
	<i>4 ft</i>	<i>6 ft</i>	<i>8 ft</i>	<i>12 ft</i>	(<i>each</i>)
lb (kg)	600 (272)	1000 (454)	1200 (544)	1900 (862)	100 (45)

⁴ Actual weights will vary according to optional kits included.

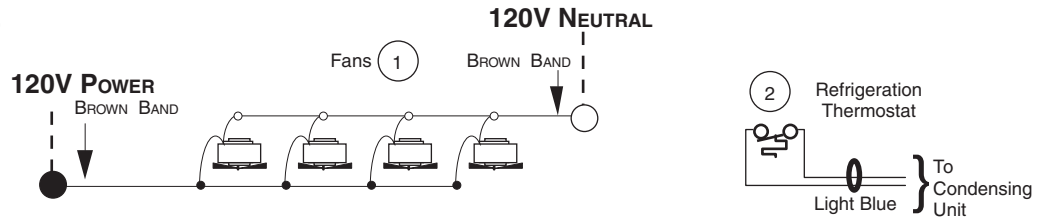
PARTS LIST (Continued from Page 1)							
Item	Part #	Description			Item	Part #	Description
LED FIXTURES AND POWER SUPPLY							
F.	0501213	Power Supply (EP.4481861)			(6)	G.	(CONTINUED) EcoShine LED Canopy Fixture
						4441713	Rear 36-inch 2900K HCRI
						4441715	Rear 36-inch 3500K HCRI
G.	EcoShine LED Canopy Fixture			(7)		4441717	Rear 36-inch 3500K
	4441720	Front	48-inch	2900K HCRI		4441719	Rear 36-inch 4100K
	4441722	Front	48-inch	3500K HCRI			
	4441724	Front	48-inch	3500K		H.	EcoShine LED Shelf Fixture
	4441726	Front	48-inch	4100K			(8)
	4441721	Rear	48-inch	2900K HCRI		4441590	48-inch 2900K HCRI
	4441723	Rear	48-inch	3500K HCRI		4441591	48-inch 3500K HCRI
	4441725	Rear	48-inch	3500K		4441592	48-inch 3500K
	4441727	Rear	48-inch	4100K		4441593	48-inch 4100K
	4441712	Front	36-inch	2900K HCRI		4441586	36-inch 2900K HCRI
	4441714	Front	36-inch	3500K HCRI		4441587	36-inch 3500K HCRI
	4441716	Front	36-inch	3500K		4441588	36-inch 3500K
	4441718	Front	36-inch	4100K		4441589	36-inch 4100K

Note: Always*Bright lamps will be replaced with the latest generation of EcoShine lamps.

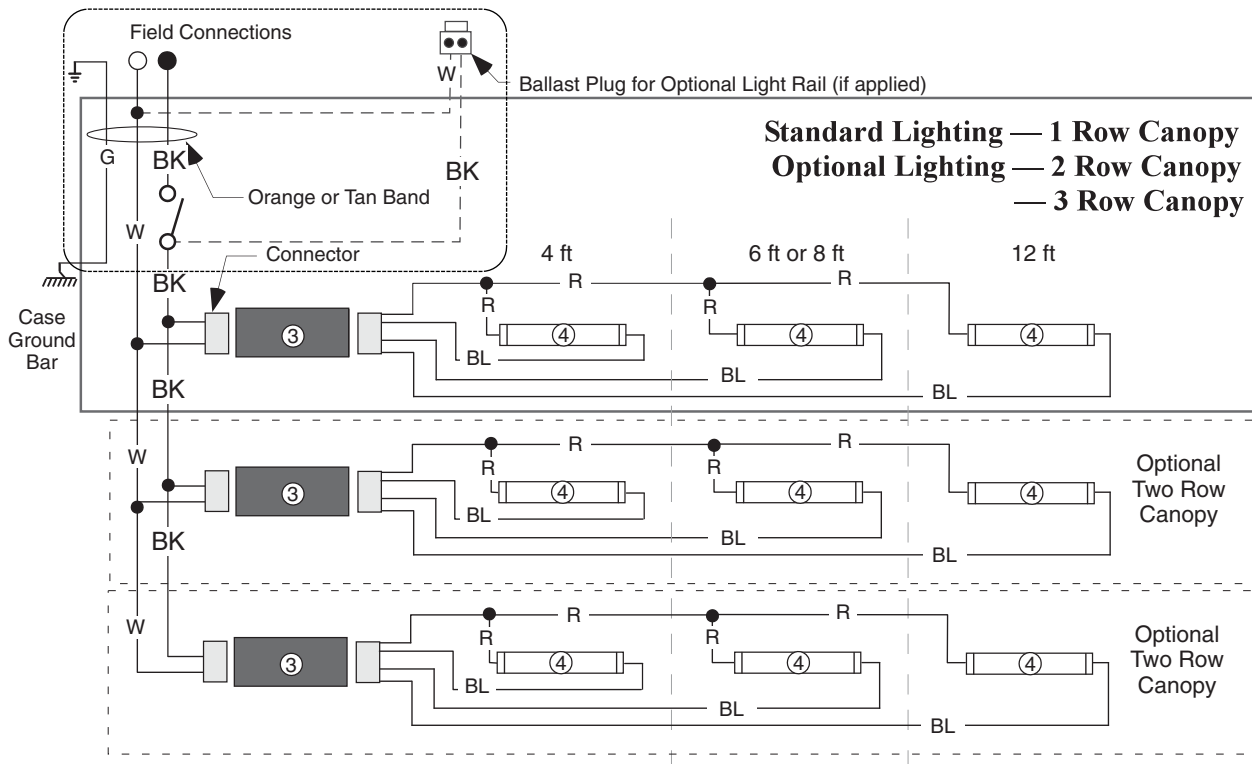
Fan Wiring Offtime Defrost

1, 2, 3 & 4 Fans

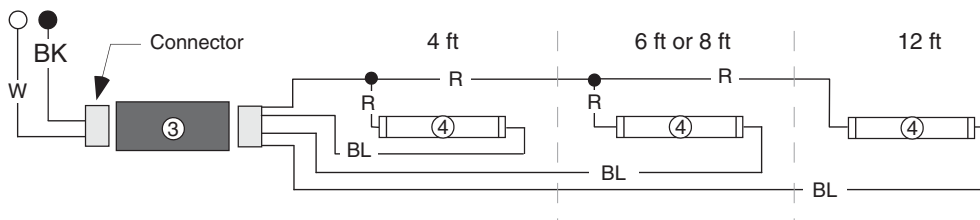
- 4 ft — 1 Fan
- 6 ft — 4 Fans
- 8 ft — 2 Fans
- 12 ft — 3 Fans



Canopy Light Circuits — Fluorescent Fixtures



Optional Lighting — 1 Row Rail



WARNING

All components must have mechanical ground, and the merchandiser must be grounded.

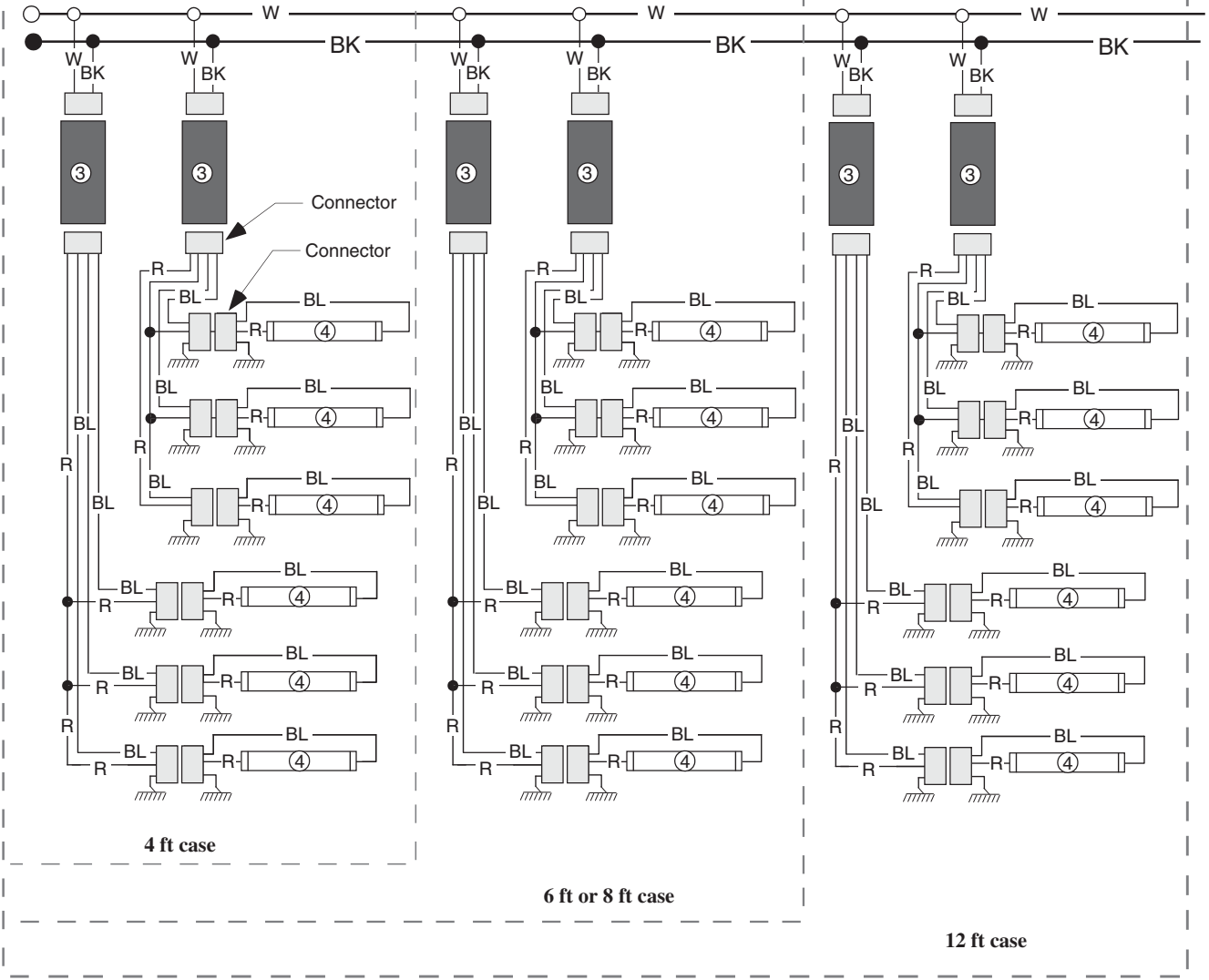
CIRCLED NUMBERS = PARTS LIST ITEM NUMBERS

R = Red Y = Yellow G = Green BL = Blue BK = Black W = White

● = 120V POWER ○ = 120V NEUTRAL ⊥ = FIELD GROUND ≡ = CASE GROUND

Optional Shelf Lighting Fluorescent Fixtures

Optional Shelf Harness and Light Circuits for Six Rows of Shelves



WARNING

All components must have mechanical ground, and the merchandiser must be grounded.

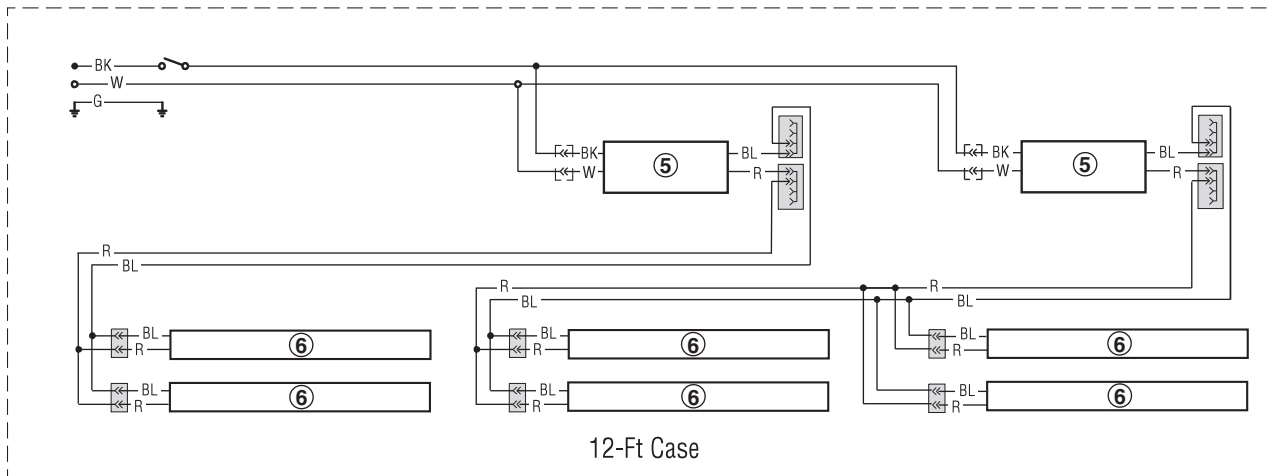
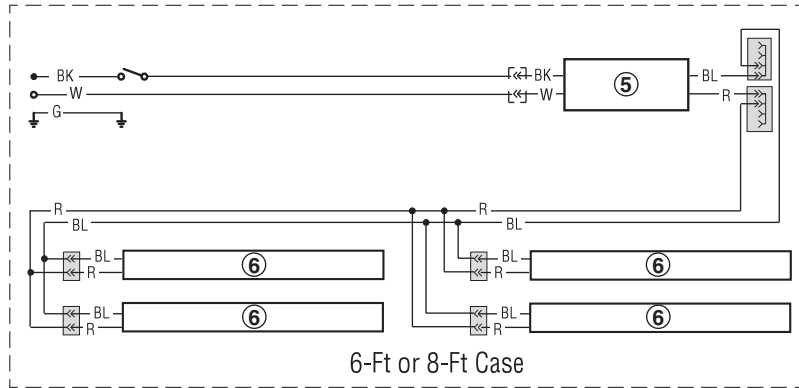
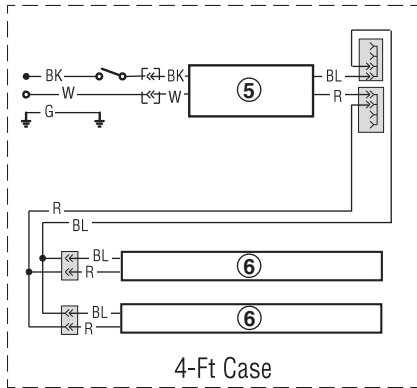
CIRCLED NUMBERS = PARTS LIST ITEM NUMBERS

R = Red Y = Yellow G = Green BL = Blue BK = Black W = White

● = 120V POWER ○ = 120V NEUTRAL ⚡ = FIELD GROUND ≍ = CASE GROUND

Optional Canopy Lighting LED Fixtures

Standard LED Canopy Lighting — 2 Row Canopy



WARNING

All components must have mechanical ground, and the merchandiser must be grounded.

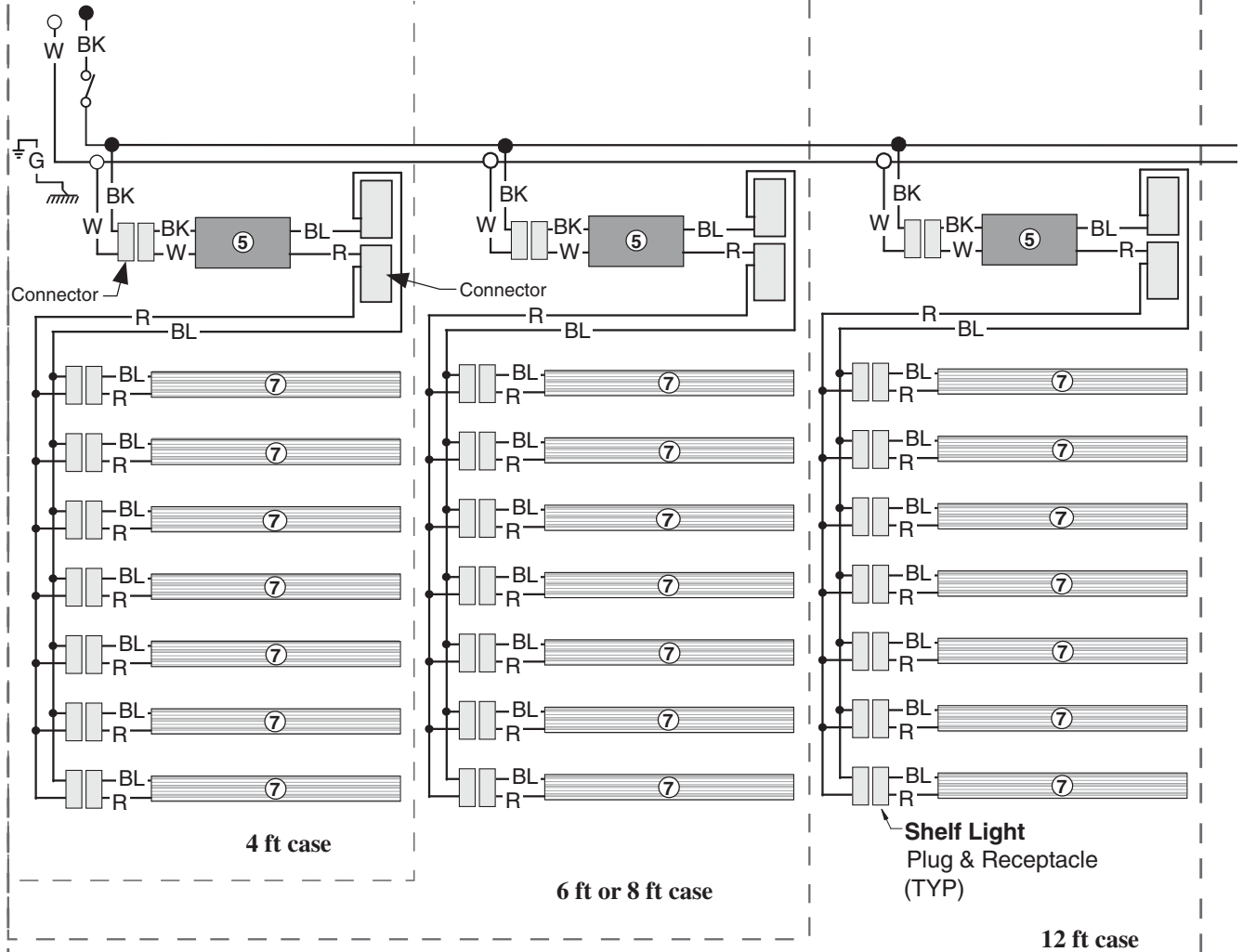
CIRCLED NUMBERS = PARTS LIST ITEM NUMBERS

R = Red Y = Yellow G = Green BL = Blue BK = Black W = White

● = 120V POWER ○ = 120V NEUTRAL ⊥ = FIELD GROUND $\overline{\text{m}}$ = CASE GROUND

Optional Shelf Lighting LED Fixtures

Optional Shelf Harness and LED Light Circuits for 3, 4, 5, 6 & 7 Rows of Shelves



WARNING

All components must have mechanical ground, and the merchandiser must be grounded.

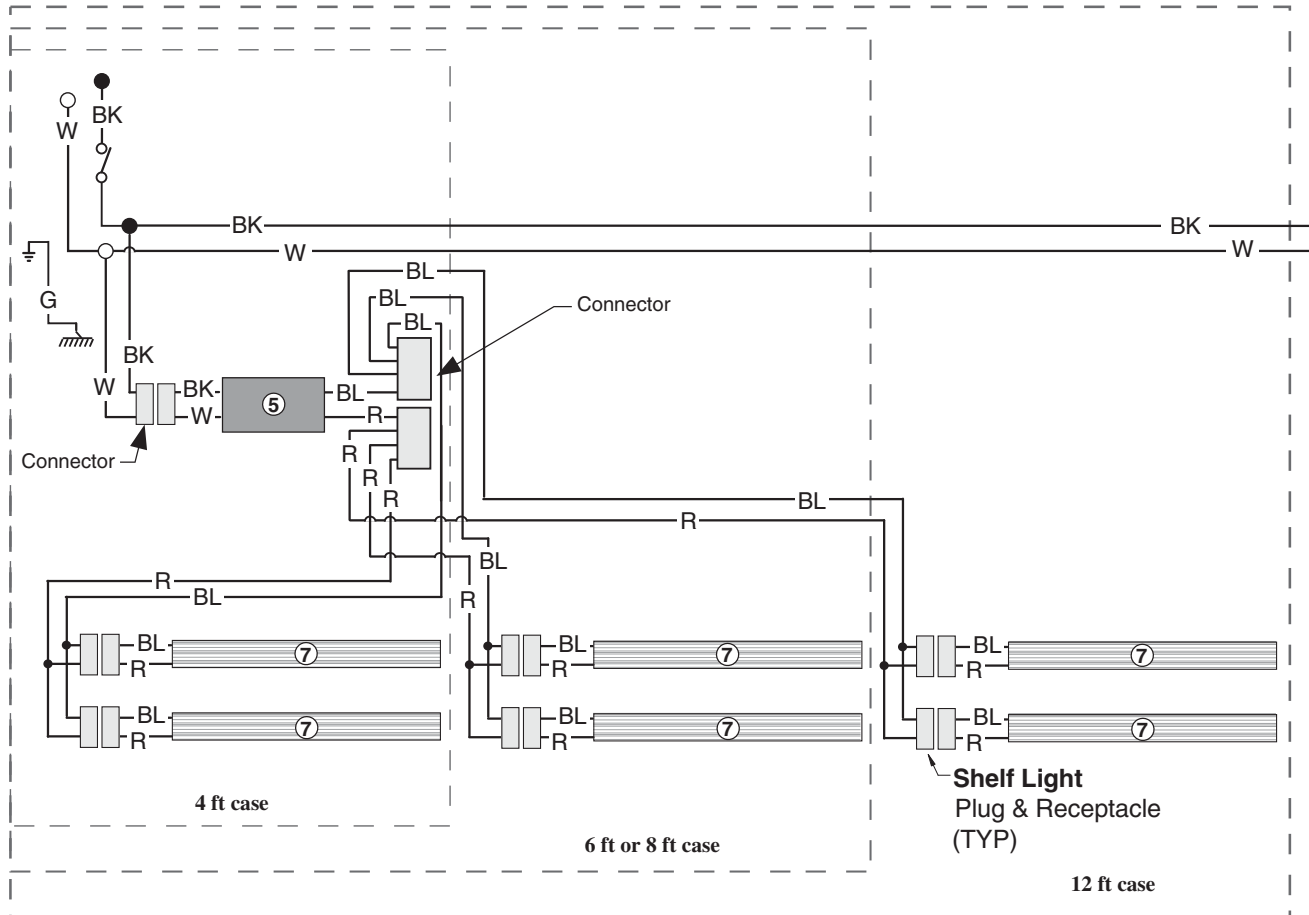
CIRCLED NUMBERS = PARTS LIST ITEM NUMBERS

R = Red G = Green BL = Blue BK = Black W = White

● = 120V POWER ○ = 120V NEUTRAL ⚡ = FIELD GROUND *mm* = CASE GROUND

Optional Shelf Lighting LED Fixtures

Optional Shelf Harness and LED Light Circuits for Two Rows of Shelves



WARNING

All components must have mechanical ground, and the merchandiser must be grounded.

CIRCLED NUMBERS = PARTS LIST ITEM NUMBERS

R = Red G = Green BL = Blue BK = Black W = White

● = 120V POWER ○ = 120V NEUTRAL ⊥ = FIELD GROUND mmm = CASE GROUND