

We reserve the right to change or revise specifications and product design in connection with any feature of our products. Such changes do not entitle the buyer to corresponding changes, improvements, additions or replacements for equipment previously sold or shipped.

Item	Part #	Description	Wiring Item #	Item	Part #	Description	Wiring Item #
FAN ASSEMBLIES				LAMPS AND BALLASTS			
8 Ft & 12 Ft				D.	Ballast, Electronic		(4)
A.	12W Standard Fan Assembly		(1)	0480130	2 lamps (BA.4481676)		
	0047000	Fan Motor, Evaporator (MO.4410103)		0480131	3 lamps (BA.4481654)		
	0463643	Fan Blade (FB.4780648)		0480132	4 lamps (BA.4481677)		
	12W Energy Efficient Fan Assembly		(1)	E.	Fluorescent Lamp		(5)
	0477655	Fan Motor, Evaporator (MO.4410546)			<i>Replace with like fixtures</i>		
	0463643	Fan Blade (FB.4780648)		LED FIXTURES AND POWER SUPPLY			
THERMOSTATS				F.	0501213	Power Supply (EP.4481861)	(6)
B.	0411744	Standard Non-adjustable Defrost Thermostat (CT.0411744)	(2)	G.		LED Canopy Fixture	(7)
C.		Optional Adjustable Refrigeration Thermostat	(3)			<i>Replace with like fixtures — See Page 5.</i>	

LIGHTED SHELVES NOT RECOMMENDED

Note: Revision G adds Btu note (page 3), EcoShine LED (page 4) and parts (page 5), and revises canopy wiring diagram (page 6). Other changes marked by bar, underline or circle.

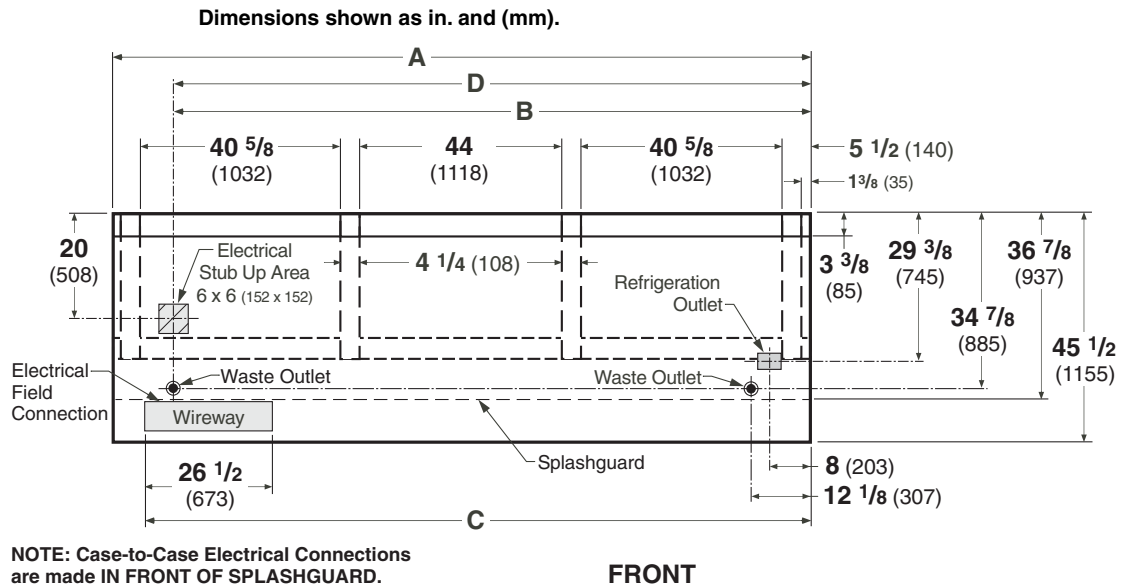


Engineering Plan Views

PHYSICAL DATA	
Merchandiser Drip Pipe (in.)	1 1/4
Merchandiser Liquid Line (in.)	3/8
Merchandiser Suction Line (in.)	7/8

Rear Load Dairy & Delicatessen
09-2005

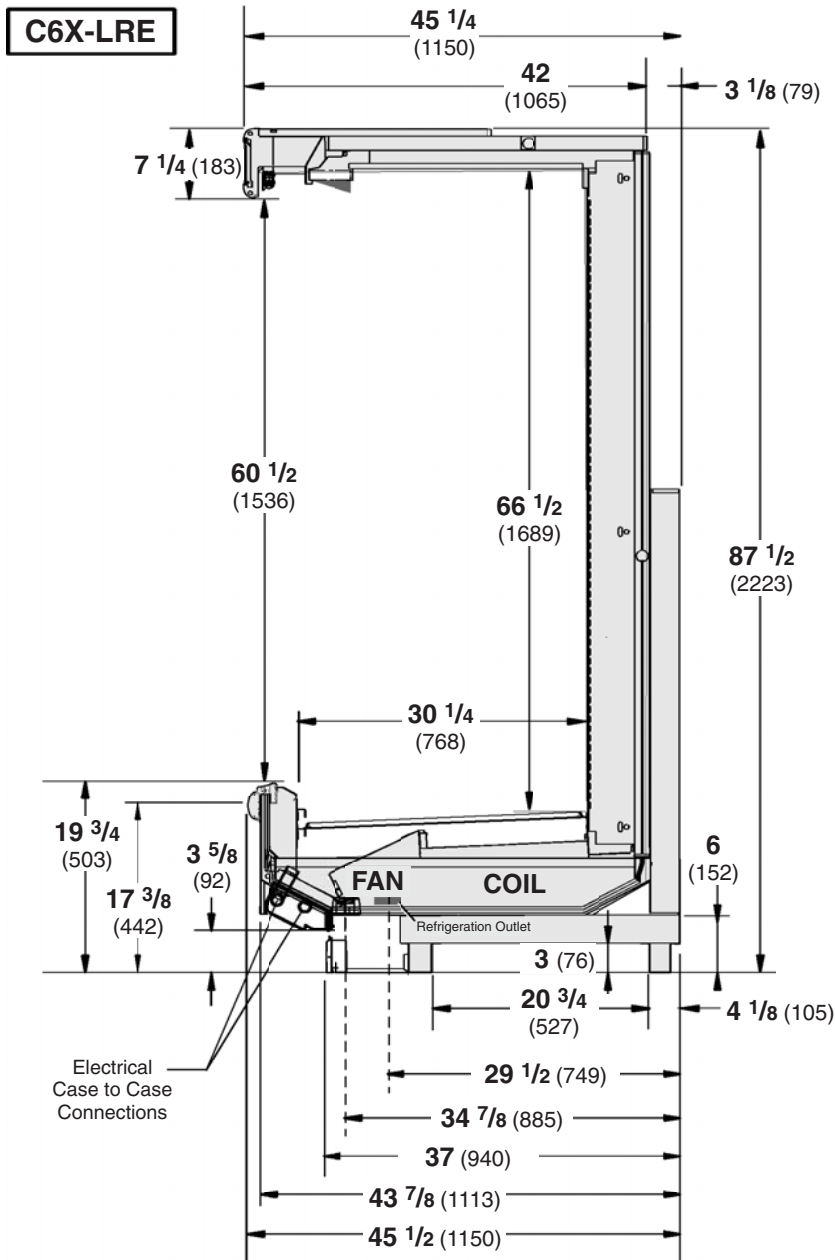
C6X-R



	8 ft	12 ft
<small>The EXCEL Rear Load Convertible model is not offered in 4-ft or 6-ft length.</small>		
General		
(A) Case Length <i>(without ends or partitions)</i> <i>(Each end and insulated partition adds 1 1/2 in. (38 mm) to case line up.)</i> Maximum O/S dimension of case back to front <i>(includes bumper)</i>	96 3/8 (2448)	144 1/2 (3670)
Back of case to front of splashguard	45 1/2 (1150)	45 1/2 (1150)
Back of case to O/S edge of front skid rail	36 7/8 (937)	36 7/8 (937)
Width of skid rail	28 1/4 (717)	28 1/4 (717)
RH end of case to outside edge of external support	3 1/4 (82)	3 1/4 (82)
Distance between front skid rail and splashguard	5 1/2 (140)	5 1/2 (140)
Distance between edges of external supports	7 1/8 (181)	7 1/8 (181)
Distance between edges of external support and center support	42 1/2 (1070)	42 1/2 (1070)
Distance between edges of center supports	NA	46 (1168)
Electrical Service <i>(Electrical Field Wiring connection point)</i>		
(B) RH End of case to center of stub up area	84 1/4 (2140)	132 3/8 (3363)
Back of case to center of stub up area	20 (508)	20 (508)
Length of electrical wireway	26 1/2 (673)	26 1/2 (673)
(C) RH End of case to LH end of wireway	90 1/8 (2289)	138 1/4 (3511)
Waste Outlets <i>(One each end)</i>		
(D) RH End of case to the center of LH waste outlet	84 1/4 (2140)	132 3/8 (3363)
RH End of case to the center of RH waste outlet	12 (305)	12 (305)
Back O/S of case to center of waste outlets	34 7/8 (885)	34 7/8 (885)
Schedule 40 PVC drip pipe	1 1/4 (32)	1 1/4 (32)
Refrigeration Outlet		
Back of case to center of refrigeration outlet	29 1/2 (749)	29 1/2 (749)
RH end of case to center of refrigeration outlet	8 (203)	8 (203)

Rear Stockable Multi-deck, 6 Display Levels, Low Front

Dimensions shown as in. and (mm).



NSF Certification

This merchandiser model is manufactured to meet ANSI/NSF (National Sanitation Foundation) Standard #7 requirements for construction, materials & cleanability.

Impact Excel C6X-LRE

Dairy & Delicatessen

REFRIGERATION DATA

Note: This data is based on store temperature and humidity that does not exceed 75°F and 55% R.H.

	C6X-LRE
Discharge Air °F	32
Evaporator °F	21
Unit Sizing °F	19

Btu/hr/ft ‡ — *Unlit Shelves* ‡‡

C6X-LRE	Parallel	Conventional
UNLIT	1790	1960

‡ Optional energy efficient motors reduce the refrigeration load by 55 Btu/hr/ft

‡‡ Add 10 Btu/hr/ft *per shelf row* for LED fixtures.

Add 20 Btu/hr/ft *per shelf row* for fluorescent lamps.

DEFROST DATA

	C6X-LRE
Frequency Hr	6
Defrost Water (lb/ft/day)	10.50

(± 15% based on case configuration and product loading).

OFFTIME	C6X-LRE
Temp Term °F	48
Failsafe Minutes	35

ELECTRIC OR GAS Not Recommended

Standard Defrost Thermostat

Close on rise: close 48°F — open 33°F

CONVENTIONAL CONTROLS

Low Pressure Backup Control

CI/CO*	C6X-LRE
	14°F/4°F

Indoor Unit Only, Pressure Defrost

Termination*	48°F
---------------------	------

*Use a Temperature Pressure Chart to determine PSIG conversions.

Estimated Charge **	C6X-LRE		
8 ft	3.2 lb	51 oz	1.5 kg
12 ft	4.5 lb	72 oz	2.0 kg

**This is an average for all refrigerant types.

Actual refrigerant charge may vary by approximately half a pound.

Impact *Excel* C6X-LRE**Dairy & Delicatessen****Electrical Data**The **EXCEL** Rear Load Convertible model is not offered in 4-ft or 6-ft length.

	8 ft	12 ft		
Number of Fans—12W	4	6		
	Amperes		Watts	
	8 ft	12 ft	8 ft	12 ft
Evaporator Fan				
120V 60Hz Standard	2.60	3.90	200	300
120V 50Hz Standard	3.00	4.50	228	342
230V 60Hz Export	1.32	1.98	200	300
230V 50Hz Export	1.52	2.28	228	342
120V 60Hz Energy Efficient	1.20	1.80	72	108
230V 60Hz Energy Efficient	0.60	0.90	72	108
Minimum Circuit Ampacity				
120V 60Hz Standard	2.80	4.10		
120V 50Hz Standard	3.20	4.70		
230V 60Hz Export	1.52	2.18		
230V 50Hz Export	1.72	2.48		
120V 60Hz Energy Efficient	1.40	2.00		
230V 60Hz Energy Efficient	0.80	1.10		
Maximum Over Current Protection 120V	20	20		
Maximum Over Current Protection 230V	15	15		
Standard Lighting (T-8 Fluorescent)				
1 Row Canopy	0.51	0.77	59	85
Optional Lighting (T-8 Fluorescent)				
Additional 1 Row Canopy	0.51	0.77	59	85
Additional 2 Row Canopy	1.02	1.54	118	170
Additional 3 Row Canopy	1.53	2.31	177	255
1 Row Rail Light	0.51	0.77	59	85
EcoShine Multi-deck Canopy Normal (CRI) — 120VAC, 50/60Hz				
2 Row Canopy (Front & Rear)	0.55	0.82	66	98
EcoShine Multi-deck Canopy High CRI — 120VAC, 50/60Hz				
2 Row Canopy (Front & Rear)	0.63	0.93	75	112
Optional Always*Bright LED Canopy Lighting				
2 Row Canopy	0.71	1.08	85	130

Optional Shelf Lighting**NOT RECOMMENDED**

120V Lighting Circuit Total = Standard Lighting + Total Optional Lighting + Optional Shelf Lighting

230V Lighting Circuit Total = Multiply 120V Lighting Circuit Total by 0.52

Product Data

Recommended Usable Cube ¹ (Cu Ft/Ft)	10.10 ft ³ /ft (0.94 m ³ /m)
AHRI Total Display Area ² (Sq Ft/Ft)	5.25 ft ² /ft (1.60 m ² /m)
Shelf Area ³ (Sq Ft/Ft)	11.73 ft ² /ft (3.58 m ² /m)

- ¹ AHRI Refrigerated Volume less shelving and other unusable space: Refrigerated Volume/Unit of Length, ft³/ft [m³/m]
² Computed using AHRI 1200 standard methodology: Total Display Area, ft² [m²]/Unit of Length, ft [m]
³ Shelf surface area is composed of bottom deck plus standard shelf complement, as shown in the Hussmann **Product Reference Guide**. The standard shelf complement for this model is (2) rows of 16-inch shelves and (3) rows of 18-inch shelves.

ESTIMATED SHIPPING WEIGHT ⁴			
Case			Solid End
	<i>8 ft</i>	<i>12 ft</i>	<i>(each)</i>
lb (kg)	1300 (590)	1500 (680)	100 (45)

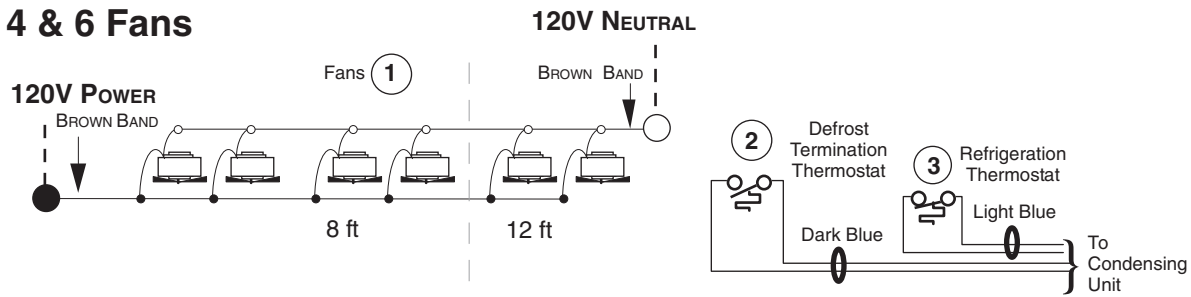
⁴ Actual weights will vary according to optional kits included.

PARTS LIST (Continued from Page 1)					
Item	Part #	Description	Item	Part #	Description
LED FIXTURES AND POWER SUPPLY					
F.	0501213	Power Supply (EP.4481861) (6)	G.	(CONTINUED)	EcoShine LED Canopy Fixture
G.	4441720	Front 48-inch 2900K HCRI		4441712	Front 36-inch 2900K HCRI
	4441722	Front 48-inch 3500K HCRI		4441714	Front 36-inch 3500K HCRI
	4441724	Front 48-inch 3500K		4441716	Front 36-inch 3500K
	4441726	Front 48-inch 4100K		4441718	Front 36-inch 4100K
	4441721	Rear 48-inch 2900K HCRI		4441713	Rear 36-inch 2900K HCRI
	4441723	Rear 48-inch 3500K HCRI		4441715	Rear 36-inch 3500K HCRI
	4441725	Rear 48-inch 3500K		4441717	Rear 36-inch 3500K
	4441727	Rear 48-inch 4100K		4441719	Rear 36-inch 4100K

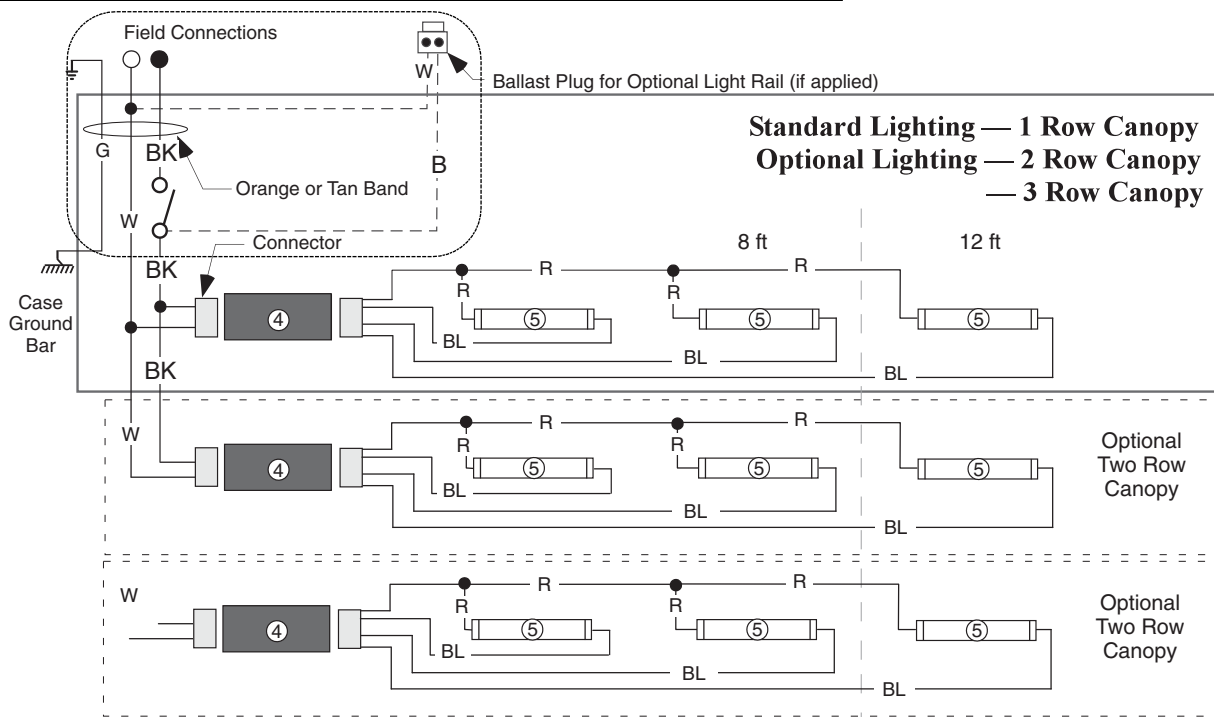
Note: Always*Bright lamps will be replaced with the latest generation of EcoShine lamps.

Fan Wiring Offtime Defrost

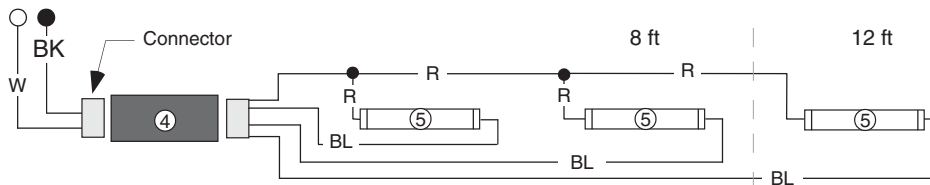
4 & 6 Fans



Canopy Light Circuits — Fluorescent Fixtures



Optional Lighting — 1 Row Rail



WARNING

All components must have mechanical ground, and the merchandiser must be grounded.

CIRCLED NUMBERS = PARTS LIST ITEM NUMBERS

R = Red Y = Yellow G = Green BL = Blue BK = Black W = White

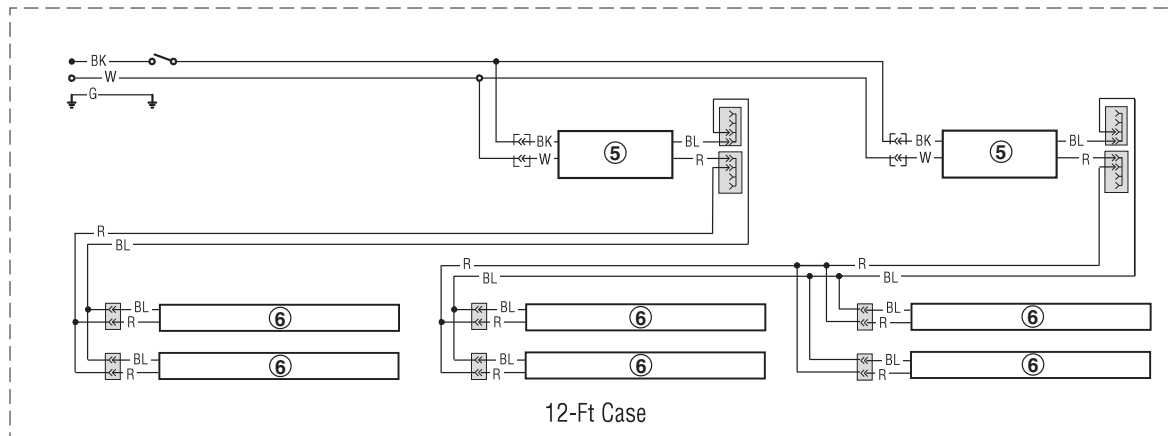
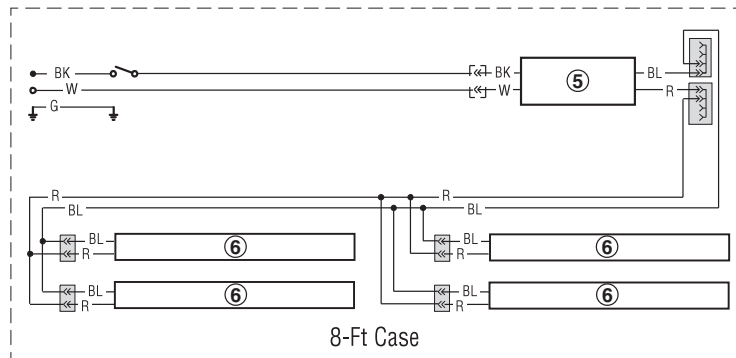
● = 120V POWER ○ = 120V NEUTRAL ⊥ = FIELD GROUND ≡ = CASE GROUND

Optional Shelf Lighting Fluorescent Fixtures

Hussmann recommends against using lighted shelves in rear-load merchandisers.

Optional Canopy Lighting LED Fixtures

Standard LED Canopy Lighting — 2 Row Canopy



WARNING

All components must have mechanical ground, and the merchandiser must be grounded.

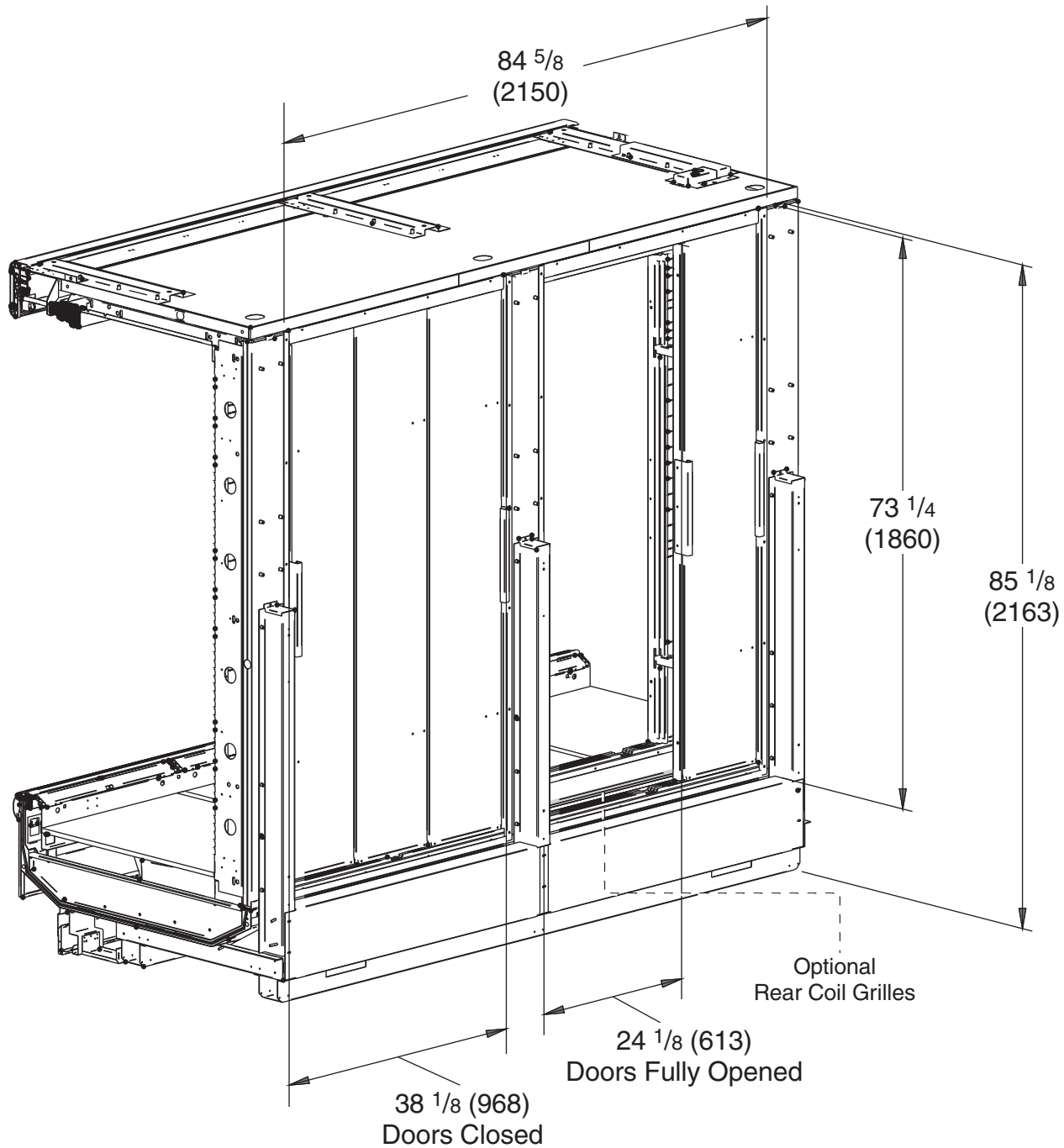
CIRCLED NUMBERS = PARTS LIST ITEM NUMBERS

R = Red Y = Yellow G = Green BL = Blue BK = Black W = White

● = 120V POWER ○ = 120V NEUTRAL ⚡ = FIELD GROUND $\overline{\text{mm}}$ = CASE GROUND

Impact Excel C6X-LRE

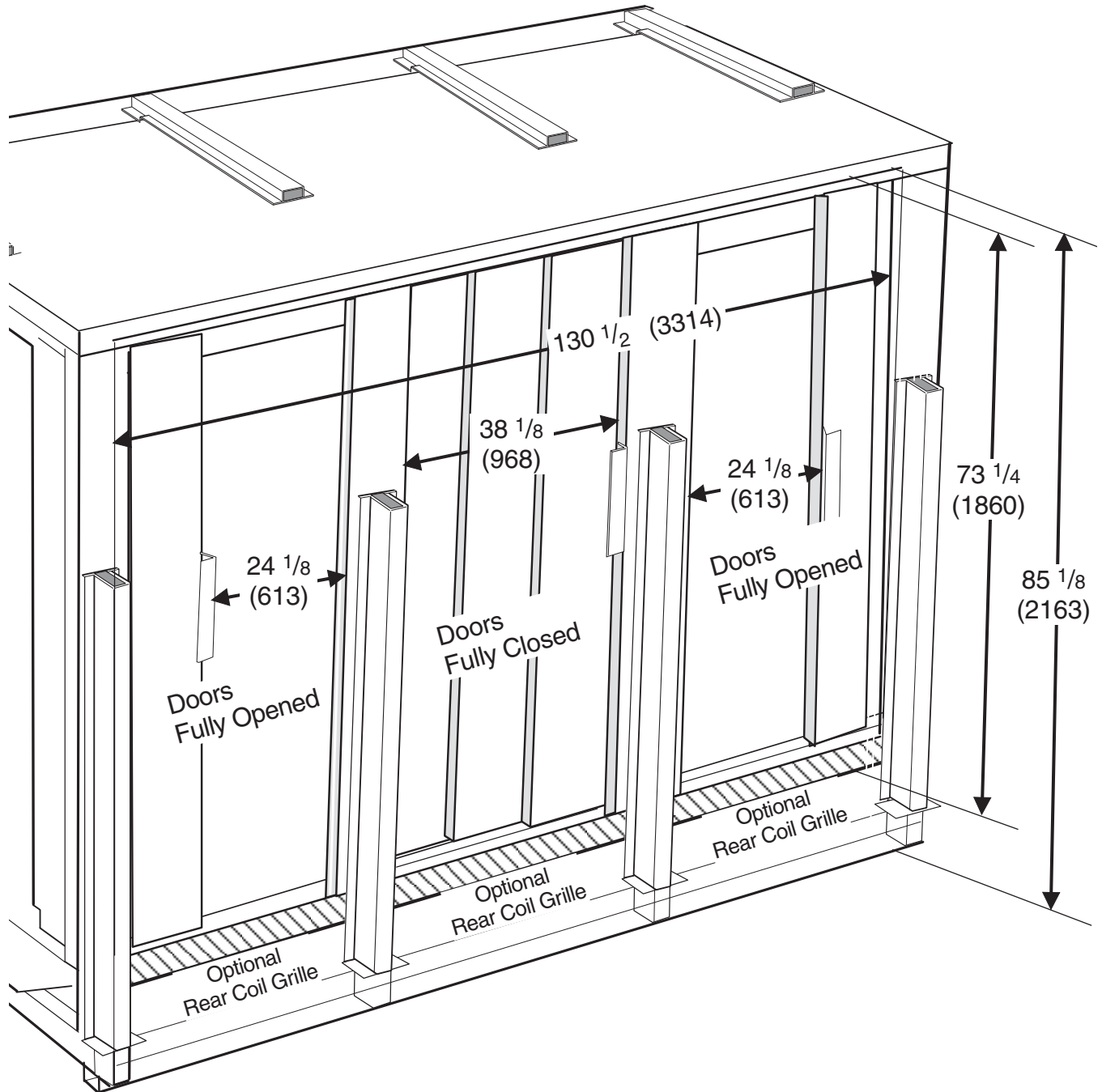
Dairy & Delicatessen



Rear View of 8 Foot Merchandiser

Double-walled telescoping doors slide both left and right

Note: Consult the Cooler Close-off kit for instructions on connecting the merchandiser to the cooler.



Rear View of 8 Foot Merchandiser
Double-walled telescoping doors slide both left and right

Note: Consult the Cooler Close-off kit for instructions on connecting the merchandiser to the cooler.