

We reserve the right to change or revise specifications and product design in connection with any feature of our products. Such changes do not entitle the buyer to corresponding changes, improvements, additions or replacements for equipment previously sold or shipped.

Item	Part #	Description	Wiring Item #	Item	Part #	Description	Wiring Item #
<b>FAN ASSEMBLIES AND THERMOSTATS</b>				<b>CONTROL PANEL</b>			
A.	<u>6W Fan Assembly</u>		(1)	D.	0047449	Defrost Timer	(4)
	0058698	Fan Motor, Evaporator		E.	0019187	Disconnect Switch	(5)
	0382383	Fan Blade embossing toward motor		F.	0394263	Pressure Control	(6)
B.	0382028	Standard Non-adjustable Thermostat	(2)	<b>REFRIGERATION</b>			
<b>HEATERS</b>				G.	0424716	Condensing Unit Assembly	
C.	0314573	Evaporator Pan Heater	(3)	H.	0381050	TEV	
				I.	0331344	Sight Glass	
				J.	0111482	Drier	
				<b>LAMPS AND BALLASTS</b>			
				None			

**Note:** Changed items have been underlined.

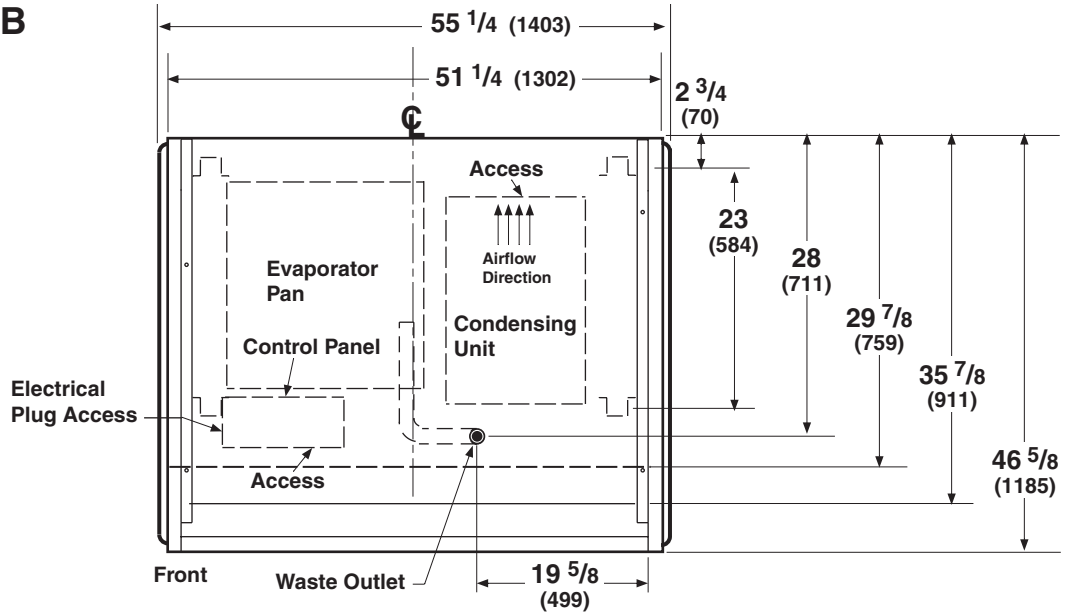
# Engineering Plan Views

Dimensions shown as inches and (mm).

## Self-Contained Meat

### M1CIMP-4B

10-2005



	4 ft	6 ft	8 ft	12 ft
<b>General</b>				
Case Length <i>(Note: Includes One Pair Ends)</i>	53 3/8 (1357)	—	—	—
Optional End Bumpers <i>(One Pair)</i>	2 (51)	—	—	—
Maximum O/S dimension of case back to front <i>(Note: Includes bumper)</i>	46 5/8 (1357)	—	—	—
Back of case to front of splashguard	35 7/8 (911)	—	—	—
Center of rear Wheel to center of front Wheel	23 (694)	—	—	—
<b>Waste Outlet</b>				
RH end of case to center of waste outlet	19 5/8 (499)	—	—	—
Back of case to center of waste outlet	28 (711)	—	—	—

**Self-Contained Single Deck, 1 Display Level, Wood Clad**

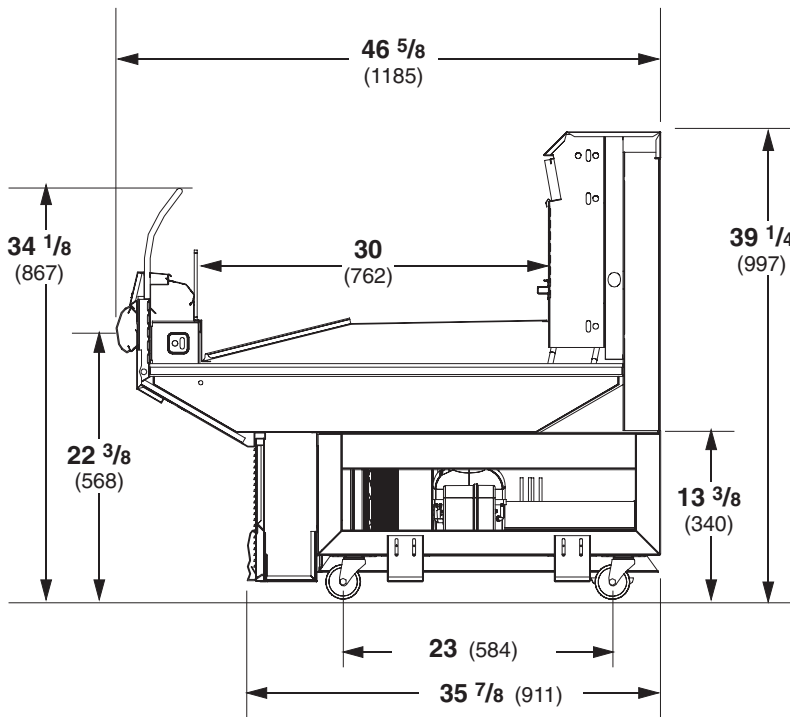
**Impact M1CIMP-4B**  
**Meat/Delicatessen**  
**Precut & Packaged Produce**

**REFRIGERATION DATA**

**Note:** This data is based on store temperature and humidity that does not exceed 75°F and 55% R.H.

Dimensions shown as inches and (mm).

**M1CIMP-4B**



**M1CIMP-4B**

<b>Discharge Air °F</b>	26
<b>Evaporator °F</b>	18
<b>Unit Sizing °F</b>	16

**DEFROST DATA**

**M1CIMP-4B**

<b>Frequency (hr)</b>	6
<b>Defrost Water (lb/ft/day)</b>	2
<small>(±15% based on case configuration and product loading.)</small>	

**OFFTIME M1CIMP-4B**

<b>Temp Term °F</b>	43°F
<b>Failsafe Minutes</b>	35

**ELECTRIC OR GAS** Not Recommended

**Standard Defrost Thermostat**

Close on rise: close 43°F — open 33°F

**CONVENTIONAL CONTROLS**

**Low Pressure Backup Control**

**M1CIMP-4B**

<b>CI/CO**</b>	14°F / 8°F
----------------	------------

**Indoor Unit Only, Pressure Defrost**

<b>Termination**</b>	48°F
----------------------	------

\*\*Use a Temperature Pressure Chart to determine PSIG conversions.

**PHYSICAL DATA**

<b>Merchandiser Drip Pipe (in.)</b>	1 1/2
<b>Liquid Line (in.)</b>	3/8
<b>Suction Line (in.)</b>	5/8

**Refrigeration Charge (lbs)**

<b>4 ft</b>	<b>M1CIMP-4B</b>
<b>R-22</b>	3.5

<b>Impact M1CIMP-4B</b> <b>Meat/Delicatessen</b> <b>Precut &amp; Packaged Produce</b>
---

**Electrical Data**

	<b>4 ft</b>		
<b>Number of Fans — 6W</b>	<b>1</b>		
	<b>Amperes</b>	<b>Watts</b>	
	<b>4 ft</b>	<b>4 ft</b>	<b>ft</b>
<b>Merchandiser</b>			
<b>Fans</b>			
Standard (120V 60Hz)	0.46	39	
Export (230V 50Hz)	NA	NA	
Energy Efficient (120V 60Hz)	NA	NA	
<b>Evaporator Pan Heater (120V)</b>	<b>8.4</b>		
<b>Minimum Circuit Ampacity</b>			
With Standard Fans (120V 60Hz)	17.73		
Export (230V 50Hz)	NA		
With Energy Efficient Fans (120V 60Hz)	NA		
<b>Maximum Over Current Protection 120V</b>	<b>25</b>		

**Standard Lighting**

None

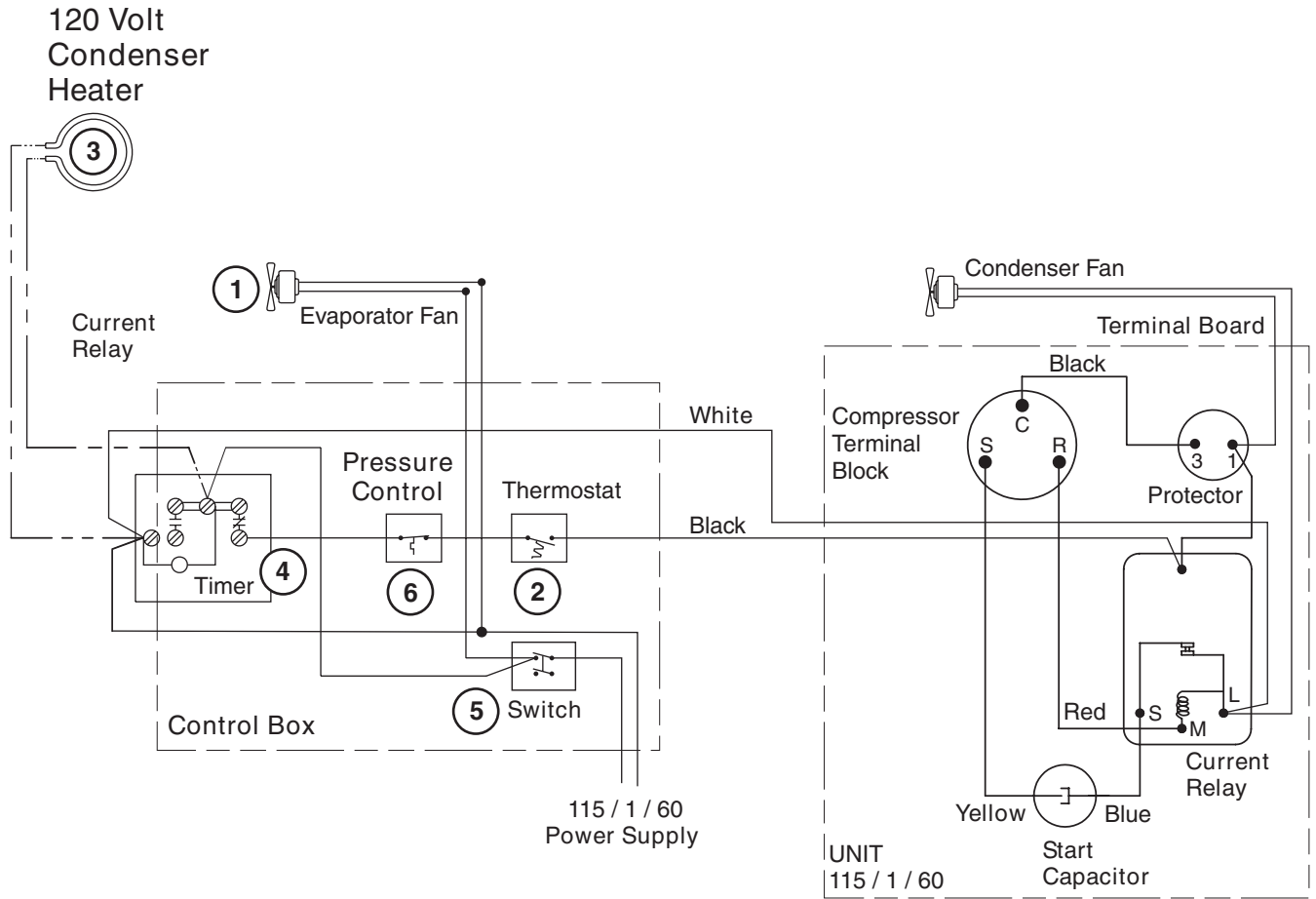
**Optional Lighting**

None

**Optional Shelf Lighting**

None

# Self-Contained Wiring Diagram



## WARNING

All components must have mechanical ground, and the merchandiser must be grounded.

CIRCLED NUMBERS = PARTS LIST ITEM NUMBERS

● = 120V POWER    ○ = 120V NEUTRAL

# M1CIMP-4B Lower Back Panel Replacement

## REPLACE LOWER BACK PANEL

1. Remove existing lower back panel.
2. Remove existing lower back panel retainers and save mounting screws.
3. Install new lower back panel retainers (P/N 073418) using saved screws.
4. Mount upper back panel as shown using (4) screws provided.
5. Mount lower back panel (P/N 0473717) by sliding up and under upper panel until stopped by 1/8-in. offset on upper back panel.
6. Align slots in bottom flange of lower back panel with retainers. Lower panel and allow it to rest atop retainers.

