

We reserve the right to change or revise specifications and product design in connection with any feature of our products. Such changes do not entitle the buyer to corresponding changes, improvements, additions or replacements for equipment previously sold or shipped.

Item	Part #	Description	Wiring Item #	Item	Part #	Description	Wiring Item #
FAN ASSEMBLIES AND THERMOSTATS				LAMPS AND BALLASTS			
A.	<u>9W Fan Assembly</u>		(1)	D.	0428648	Ballast, Electronic 2 lamps	(4)
	0058698	Fan Motor, Evaporator		D.	0428649	Ballast, Electronic 3 lamps	(4)
	0142780	Fan Blade embossing toward motor		E.		Fluorescent Lamp <i>Replace with like fixtures</i>	(5)
B.	0411744	Standard Non-adjustable Defrost Thermostat	(2)				
C.	0137880	Optional Adjustable Refrigeration Thermostat	(3)				

Note: Changed items have been underlined.

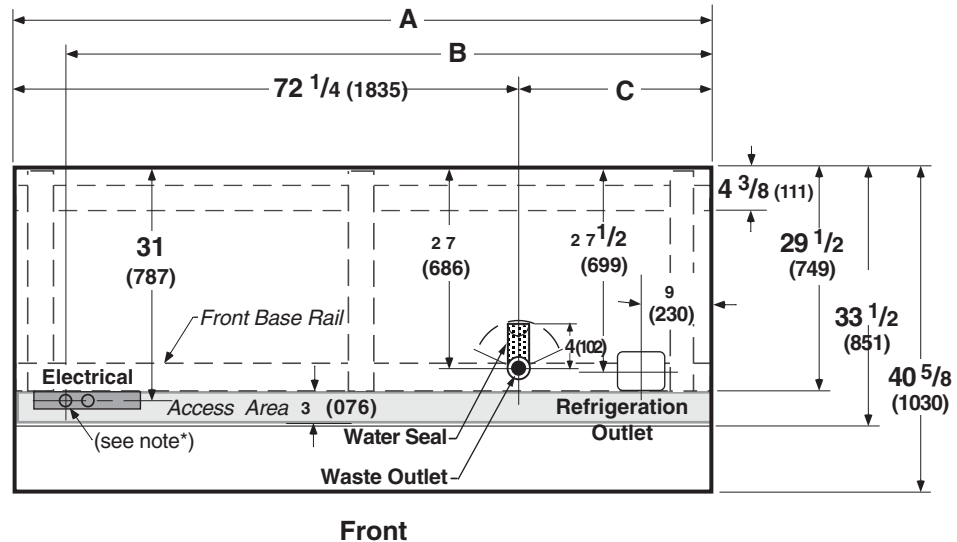
Engineering Plan View





Preliminary

Dimensions shown as inches and (mm).

**P2NE
All Produce**

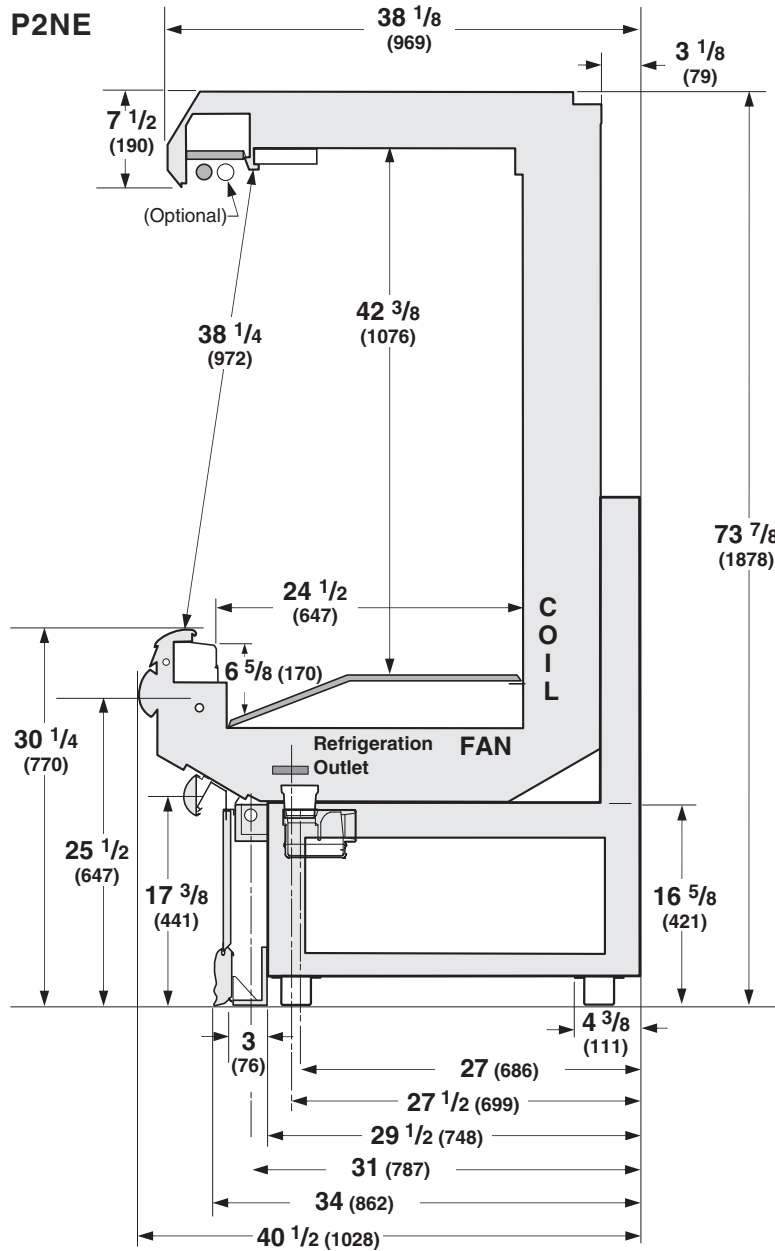
09-2003



	8 ft	12 ft
General		
(A) Length of Case (<i>without ends or partitions</i>)	96 3/8 (2448)	144 1/2 (3670)
Maximum outside dimensions of case back to front (<i>includes bumper</i>)	40 5/8 (1030)	40 5/8 (1030)
Back of case to front of splashguard	33 1/2 (851)	33 1/2 (851)
Back of case to outside edge of front skidrail	29 1/2 (749)	29 1/2 (749)
Width of skidrail	2 1/8 (54)	2 1/8 (54)
Distance between inside edges of external support and center support	40 5/8 (1032)	40 5/8 (1032)
Distance between inside edges of center supports	NA	44 (1118)
Width of external support	4 1/8 (105)	4 1/8 (105)
Stub-up area between front skidrail and splashguard	3 (76)	3 (76)
Right edge of case (excluding end) to inside edge of external support	1 3/8 (35)	1 3/8 (35)
Electrical Service 		
(B) Right end of case to center of farthest knockout	88 3/8 (2245)	136 1/2 (3467)
Back outside of case to center of knockout	31 (787)	31 (787)
Length of electrical raceway	34 1/2 (878)	34 1/2 (878)
*Note: <i>Electrical Field Wiring Connection Point</i>		
Waste Outlet 		
(C) Right end of case to center of waste outlet	24 1/8 (613)	72 1/4 (1835)
Left end of case to center of waste outlet	72 1/4 (1835)	72 1/4 (1835)
Back outside of case to center of waste outlet	27 (686)	27 (686)
Water Seal 		
Edge of water seal to center of waste outlet	4 (102)	4 (102)
Outside diameter of drip pipe	1 1/2 (38)	1 1/2 (38)
**Note: <i>Water seal outlet must clear front skid rail.</i>		
Refrigeration Outlet 		
Right end of case to center of refrigeration outlet	9 (230)	9 (230)
Back outside of case to center of refrigeration outlet	27 1/2 (699)	27 1/2 (699)



Dimensions shown as inches and (mm).



REFRIGERATION DATA

Note: This data is based on store temperature and humidity that does not exceed 75°F and 55% R.H.

	P2NE
Discharge Air °F	33
Evaporator °F	24
Unit Sizing °F	22
Btu/hr/ft**	P2NE
Parallel	970
Conventional	1050
**For all refrigeration equipment other than Hussmann, use conventional BTU values.	

DEFROST DATA

	P2NE
Frequency (hr)	8
Defrost Water (lb/ft/day)	6
(±15% based on case configuration and product loading.)	

OFFTIME	P2NE
Temp Term °F	48°F
Failsafe Minutes	30

ELECTRIC OR GAS Not Recommended

Standard Defrost Thermostat
Close on rise: close 48°F – open 33°F

CONVENTIONAL CONTROLS

Low Pressure Backup Control
CI/CO** 17°F / 7°F

Indoor Unit Only, Pressure Defrost
Termination** 48°F

**Use a Temperature Pressure Chart to determine PSIG conversions.

PHYSICAL DATA

Merchandiser Drip Pipe (in.) 1 1/2
Liquid Line (in.) 3/8
Suction Line (in.) 7/8

Estimated Charge (lbs)***

	P2NE
--	-------------

8 ft	2.3
12 ft	3.3

***This is an average for all refrigerant types actual refrigerant charge may vary by approximately half a pound.

Length Added to Lineup by Each End or Insulated Partition (in.) 1 1/2

NSF Certification

These merchandisers are manufactured to meet ANSI /National Sanitation Foundation (NSF®) Standard #7 requirements.

Impact P2NE All Produce
--

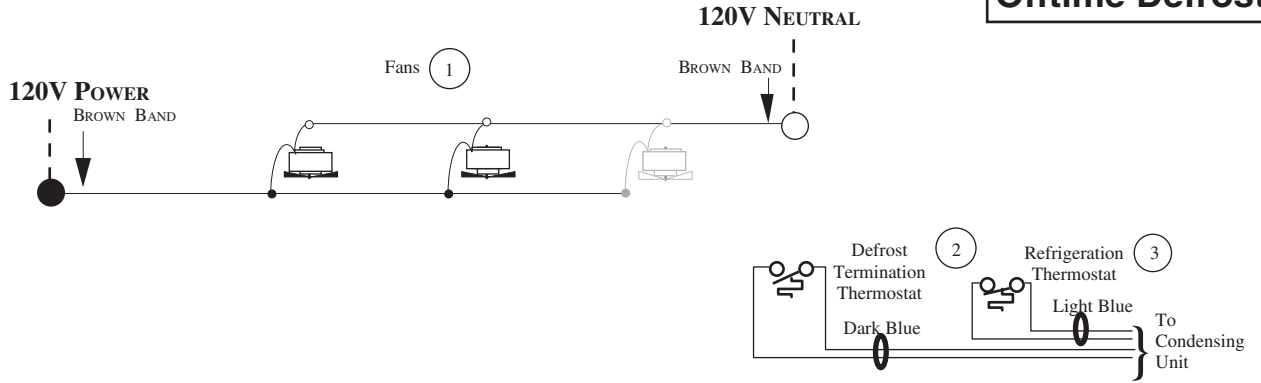
Electrical Data

	8 Ft	12 Ft		
Number of Fans — 6W	2	3		
	Amperes		Watts	
Merchandiser	8 Ft	12 Ft	8 Ft	12 Ft
Fans				
Standard (120V 60Hz)	1.00	1.50	78	117
Energy Efficient (120V 60Hz)	0.52	0.78	36	54
Export (230V 50Hz)	0.56	0.84	88	132
Cycling Anti-sweat Heaters	NA			
Minimum Circuit Ampacity				
With Standard Fans (120V 60Hz)	1.20	1.70		
With Energy Efficient Fans (120V 60Hz)	0.72	0.98		
Export (230V 50Hz)	0.76	1.04		
Maximum Over Current Protection 120V	20	20		
Maximum Over Current Protection 230V	15	15		
Supplemental Gas Heaters	NA			
208V 1Φ Electric Defrost	NA			
Standard Lighting				
1 Row Canopy	0.51	0.77	59	85
Optional Lighting				
1 Row Canopy and 1 Rail	1.02	1.54	118	170
2 Rows Canopy	1.02	1.54	118	170
2 Rows Canopy and 1 Row Rail	1.53	2.31	177	255
Optional Shelf Lighting				
1 Row of Shelves	0.51	0.77	59	85
2 Rows of Shelves	1.02	1.54	118	170

Preliminary

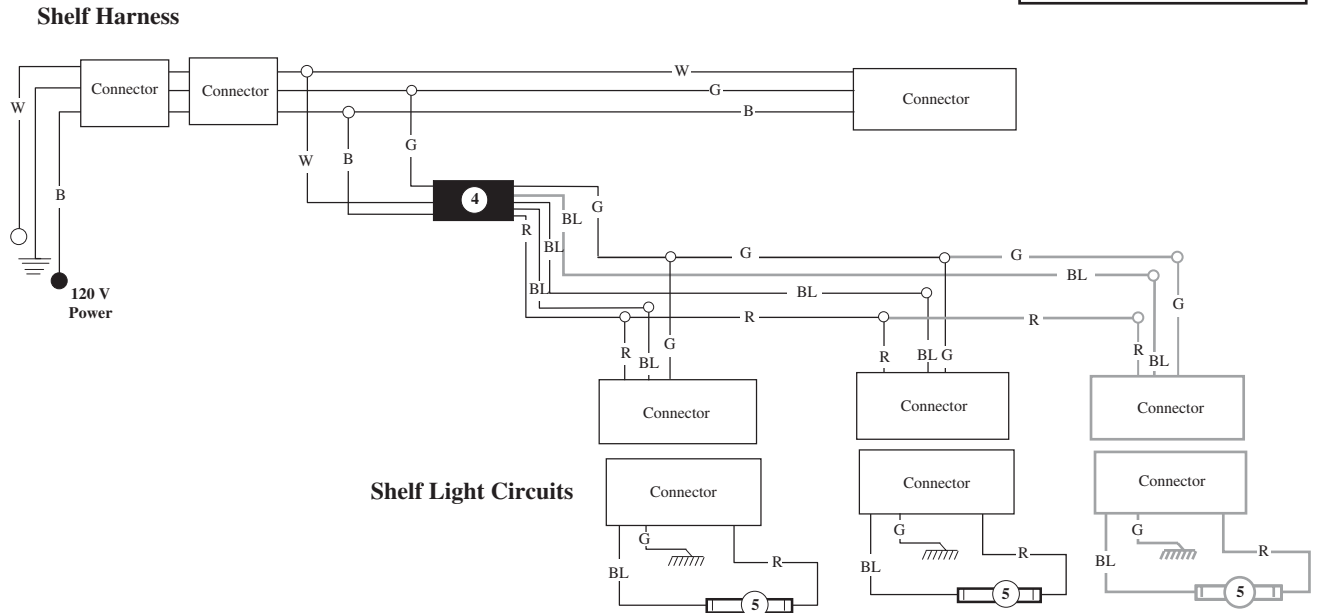
2 & 3 Fans

Fan Wiring Offtime Defrost



Optional Shelf Harness and Light Circuits for One Row of Shelves

Shelf Lighting



WARNING

All components must have mechanical ground, and the merchandiser must be grounded.

CIRCLED NUMBERS = PARTS LIST ITEM NUMBERS

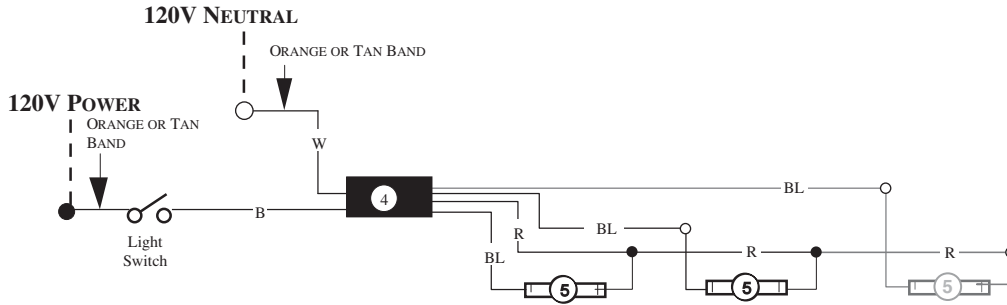
Grayed components in 12 foot models only.

R = Red Y = Yellow G = Green BL = Blue B = Black W = White

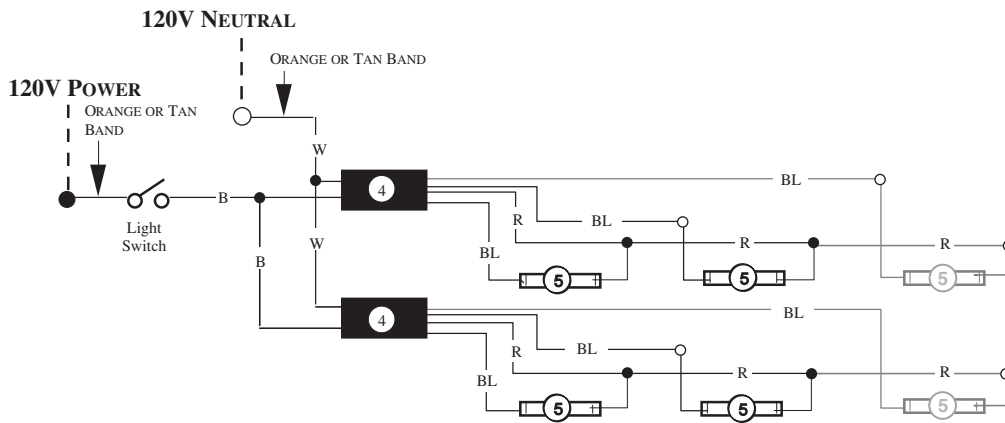
● = 120V POWER ○ = 120V NEUTRAL ≡ = Field GROUND ≡≡ = Case GROUND

Light Circuits

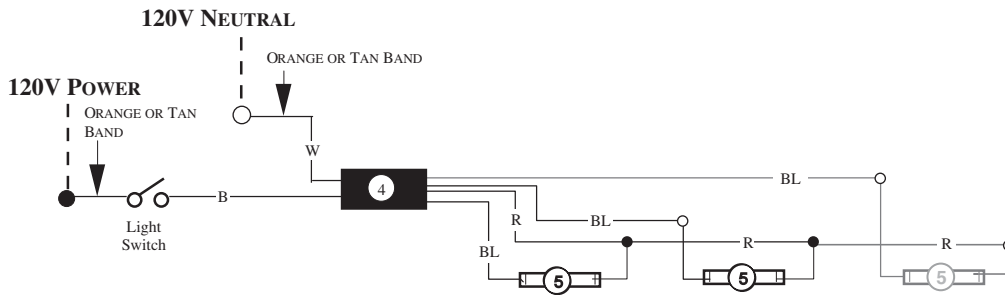
Standard Lighting 1 Row Canopy



Optional Lighting 2 Row Canopy



Optional Lighting 1 Row Rail



WARNING

All components must have mechanical ground, and the merchandiser must be grounded.

CIRCLED NUMBERS = PARTS LIST ITEM NUMBERS

Grayed components in 12 foot models only.

R = Red Y = Yellow G = Green BL = Blue B = Black W = White

● = 120V POWER ○ = 120V NEUTRAL