

We reserve the right to change or revise specifications and product design in connection with any feature of our products. Such changes do not entitle the buyer to corresponding changes, improvements, additions or replacements for equipment previously sold or shipped.

| Item | Part # | Description | Wiring Item # | Item | Part # | Description | Wiring Item # |
|-----------------------|-----------------------------|---|---------------|--------------------------------------|-----------------------------------|---|---------------|
| FAN ASSEMBLIES | | | | LAMPS AND BALLASTS | | | |
| A. | 12W Standard | Fan Assembly | (1) | D. | Ballast, Electronic | | (4) |
| | 0047000 | Fan Motor, Evaporator (MO.4410103) | | | 0480130 | 2 lamps (BA.4481676) | |
| | 0461805 | Fan Blade (FB.4780446) | | | 0480131 | 3 lamps (BA.4481654) | |
| | 12W Energy Efficient | Fan Assembly | (1) | | 0480132 | 4 lamps (BA.4481677) | |
| | 0477655 | Fan Motor, Evaporator (MO.4410546) | | E. | Fluorescent Lamp | | (5) |
| | 0461805 | Fan Blade (FB.4780446) | | | <i>Replace with like fixtures</i> | | |
| THERMOSTATS | | | | LED FIXTURES AND POWER SUPPLY | | | |
| B. | 0411744 | Standard Non-adjustable Defrost Thermostat (CT.0411744) | (2) | F. | 0501213 | Power Supply (EP.4481861) | (6) |
| C. | | Optional Adjustable Refrigeration Thermostat | (3) | G. | | LED Canopy Fixture | (7) |
| | | | | | | <i>Replace with like fixtures — See Page 5.</i> | |
| | | | | H. | | LED Shelf Fixture | (8) |
| | | | | | | <i>Replace with like fixtures — See Page 5.</i> | |

Note: Revision D adds EcoShine LED (page 4) and parts (page 5), and revises canopy wiring diagram (page 6). Other changes marked by bar, underline or circle.



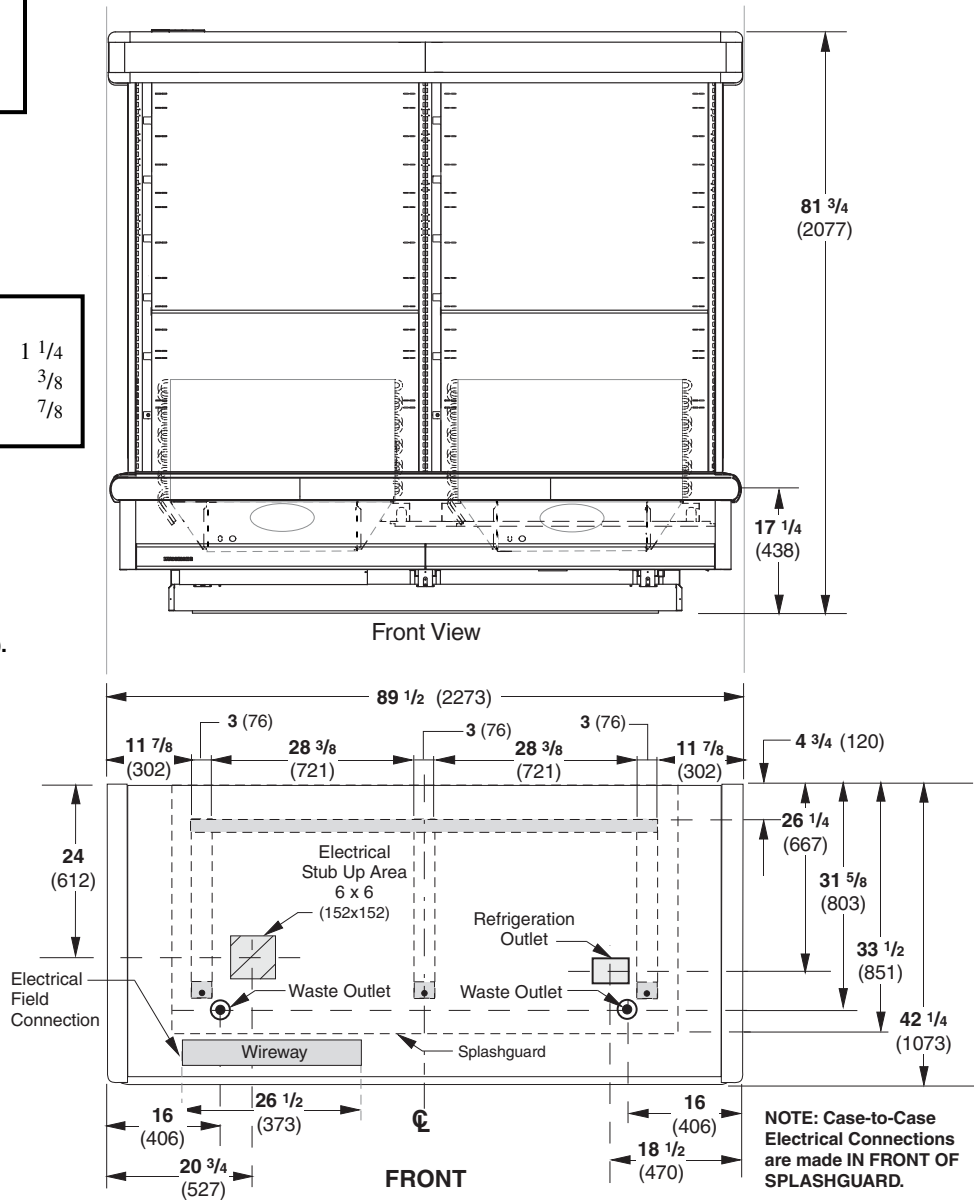
Engineering Plan Views

Multi-deck Dairy & Delicatessen End Case

PHYSICAL DATA

| | |
|---------------------------------|-------|
| Merchandiser Drip Pipe (in.) | 1 1/4 |
| Merchandiser Liquid Line (in.) | 3/8 |
| Merchandiser Suction Line (in.) | 7/8 |

Dimensions shown as in. and (mm).



D5XELE and D5XEE

General

| | |
|---|---------------|
| Case Length | 89 1/2 (2273) |
| Maximum O/S dimension of case | |
| back to front (includes bumper) | 42 1/2 (1073) |
| Back of case to front of splashguard | 33 1/2 (851) |
| Distance between edges of external legs | |
| and center leg | 28 3/8 (721) |
| Distance between front legs | |
| and splashguard | 2 3/4 (70) |

Electrical Service

| | |
|---|---------------|
| (Electrical Field Wiring connection point) | |
| RH End of case to center of stub up area | 68 3/4 (1476) |
| Back O/S edge of case to center of stub up area | 24 (612) |
| Length of | |
| electrical wireway | 26 1/2 (373) |

Waste Outlet

| | |
|---|---------------|
| Back O/S of case to center of waste outlet | 31 5/8 (803) |
| RH End of case to center of LH waste outlet | 73 1/2 (1869) |
| RH End of case to center of RH waste outlet | 16 (406) |
| Schedule 40 PVC drip pipe | 1 1/4 (32) |

Refrigeration Outlet

| | |
|--|---------------|
| Back of case to center of refrigeration outlet | 31 5/8 (803) |
| LH end of case to center of refrigeration outlet | 71 1/2 (1816) |

Dimensions shown as in. and (mm).

Impact Excel
D5XELE / D5XEE
Dairy & Delicatessen

REFRIGERATION DATA

Note: This data is based on store temperature and humidity that does not exceed 75°F and 55% R.H.

| | D5XELE | D5XEE |
|---------------------------|--------|-------|
| Discharge Air (°F) | 32 | 32 |
| Evaporator (°F) | 24 | 24 |
| Unit Sizing (°F) | 22 | 22 |

Btu/hr/case‡ — *Unlit Shelves*‡‡

| D5XELE | Parallel | Conventional |
|--------|----------|--------------|
| UNLIT | 10,700 | 11,400 |

‡Optional energy efficient motors reduce the refrigeration load by 218 Btu/hr/case.

‡‡ Add 10 Btu/hr/ft *per shelf row* for LED fixtures.
Add 20 Btu/hr/ft *per shelf row* for fluorescent lamps.

Btu/hr/case‡ — *Unlit Shelves*‡‡

| D5XEE | Parallel | Conventional |
|-------|----------|--------------|
| UNLIT | 10,170 | 10,830 |

‡Optional energy efficient motors reduce the refrigeration load by 218 Btu/hr/case.

‡‡ Add 10 Btu/hr/ft *per shelf row* for LED fixtures.
Add 20 Btu/hr/ft *per shelf row* for fluorescent lamps.

DEFROST DATA

| | D5XELE | D5XEE |
|----------------------------------|--------|-------|
| Frequency (hr) | 6 | 6 |
| Defrost Water (lb/ft/day) | 10.5 | 10.5 |

(± 15% based on case configuration and product loading).

| <i>OFFTIME</i> | D5XELE | D5XEE |
|---------------------------|--------|-------|
| Temp Term (Deg. F) | 48 | 48 |
| Failsafe (minutes) | 35 | 35 |

GAS OR ELECTRIC Not Recommended

Standard Defrost Thermostat

Close on rise: close 48°F — open 33°F

CONVENTIONAL CONTROLS

Low Pressure Backup Control

| | D5XELE | D5XEE |
|-----------------------------|--------|-------|
| CI/CO (Temp Deg. F)* | 17/7 | 17/7 |

Indoor Unit Only, Pressure Defrost Termination (Temp °F)*

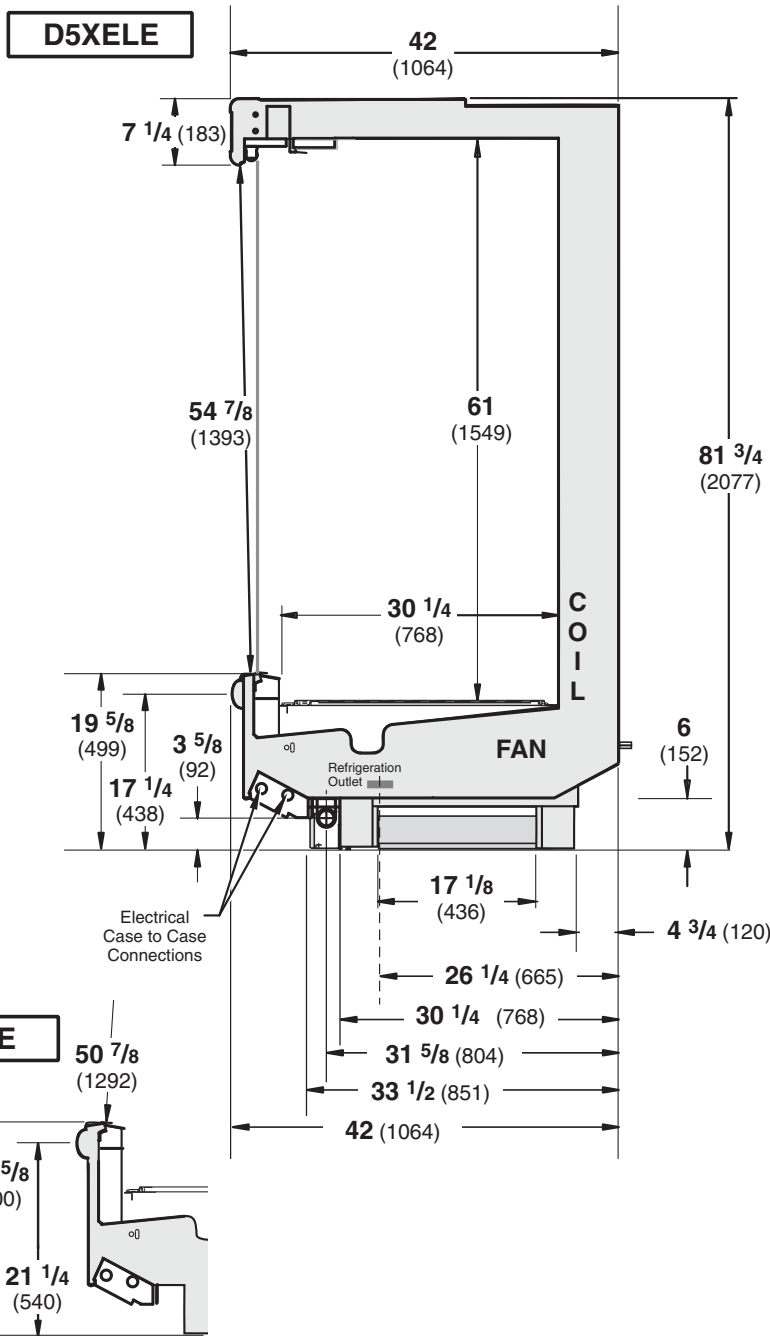
Not Recommended

*Use a Temperature Pressure Chart to determine PSIG conversions.

Estimated Charge (lb)**

| | |
|---------------|-----|
| D5XELE | 2.4 |
| D5XEE | 2.4 |

**This is an average for all refrigerant types. Actual refrigerant charge may vary by approximately half a pound.



NSF Certification

This merchandiser model is manufactured to meet ANSI/NSF (National Sanitation Foundation) Standard #7 requirements for construction, materials & cleanability.

Impact Excel
D5XELE / D5XEE
Dairy & Delicatessen

Electrical Data

Number of Fans—12W

D5XELE **D5XEE**
 2 2

| | | | Amperes | | Watts | |
|-----------------------|------|------------------|---------|-------|--------|-------|
| | | | D5XELE | D5XEE | D5XELE | D5XEE |
| Evaporator Fan | | | | | | |
| 120V | 60Hz | Standard | 1.30 | 1.30 | 100 | 100 |
| 120V | 50Hz | Standard | 1.50 | 1.50 | 114 | 114 |
| 230V | 60Hz | Export | 0.66 | 0.66 | 100 | 100 |
| 230V | 50Hz | Export | 0.76 | 0.76 | 114 | 114 |
| 120V | 60Hz | Energy Efficient | 0.60 | 0.60 | 36 | 36 |
| 230V | 60Hz | Energy Efficient | 0.30 | 0.30 | 36 | 36 |

Minimum Circuit Ampacity

| | | | | |
|------|------|------------------|------|------|
| 120V | 60Hz | Standard | 1.50 | 1.50 |
| 120V | 50Hz | Standard | 1.70 | 1.70 |
| 230V | 60Hz | Export | 0.86 | 0.86 |
| 230V | 50Hz | Export | 0.96 | 0.96 |
| 120V | 60Hz | Energy Efficient | 0.80 | 0.80 |
| 230V | 60Hz | Energy Efficient | 0.50 | 0.50 |

Maximum Over Current Protection 120V

Maximum Over Current Protection 120V **20**

Maximum Over Current Protection 230V **20**

Maximum Over Current Protection 230V 15

Standard Lighting (T-8 fluorescent)

1 Row Canopy 0.51 0.51 59 59

Optional Lighting (T-8 fluorescent)

| | | | | |
|-------------------------|------|------|-----|-----|
| Additional 1 Row Canopy | 0.51 | 0.51 | 59 | 59 |
| 1 Row Rail Light | 0.51 | 0.51 | 59 | 59 |
| 1 Row of Shelves | 0.51 | 0.51 | 59 | 59 |
| 2 Rows of Shelves | 1.02 | 1.02 | 118 | 118 |
| 3 Rows of Shelves | 1.53 | 1.53 | 177 | 177 |
| 4 Rows of Shelves | 2.04 | 2.04 | 236 | 236 |
| 5 Rows of Shelves | 2.55 | 2.55 | 295 | 295 |

EcoShine Multi-deck Canopy Normal (CRI) — 120VAC, 50/60Hz

| | | | | |
|-------------------|------|------|----|----|
| 2 Row Canopy | 0.41 | 0.41 | 49 | 49 |
| 1 Row of Shelves | 0.15 | 0.15 | 18 | 18 |
| 2 Rows of Shelves | 0.29 | 0.29 | 35 | 35 |
| 3 Rows of Shelves | 0.44 | 0.44 | 53 | 53 |
| 4 Rows of Shelves | 0.58 | 0.58 | 70 | 70 |
| 5 Rows of Shelves | 0.73 | 0.73 | 87 | 87 |

EcoShine Multi-deck Canopy High CRI — 120VAC, 50/60Hz

| | | | | |
|-------------------|------|------|-----|-----|
| 2 Row Canopy | 0.47 | 0.47 | 56 | 56 |
| 1 Row of Shelves | 0.18 | 0.18 | 21 | 21 |
| 2 Rows of Shelves | 0.35 | 0.35 | 42 | 42 |
| 3 Rows of Shelves | 0.53 | 0.53 | 63 | 63 |
| 4 Rows of Shelves | 0.70 | 0.70 | 84 | 84 |
| 5 Rows of Shelves | 0.88 | 0.88 | 105 | 105 |

Optional Always*Bright LED Canopy Lighting

| | | | | |
|-------------------|------|------|----|----|
| 2 Row Canopy | 0.55 | 0.55 | 66 | 66 |
| 1 Row of Shelves | 0.19 | 0.19 | 23 | 23 |
| 2 Rows of Shelves | 0.34 | 0.34 | 41 | 41 |
| 3 Rows of Shelves | 0.53 | 0.53 | 63 | 63 |
| 4 Rows of Shelves | 0.68 | 0.68 | 82 | 82 |
| 5 Rows of Shelves | 0.83 | 0.83 | 99 | 99 |

120V Lighting Circuit Total = Standard Lighting + Total Optional Lighting + Optional Shelf Lighting

230V Lighting Circuit Total = Multiply 120V Lighting Circuit Total by 0.52

Product Data

| | |
|--|--|
| <i>Recommended Usable Cube</i> ¹ (Cu Ft/Case) | 63.68 ft ³ /case (1.80 m ³ /case) |
| <i>AHRI Total Display Area</i> ² (Sq Ft/Case) | 31.11 ft ² /case (2.90 m ² /case) |
| <i>Shelf Area</i> ³ (Sq Ft/Case) | 67.03 ft ² /case (6.28 m ² /case) |

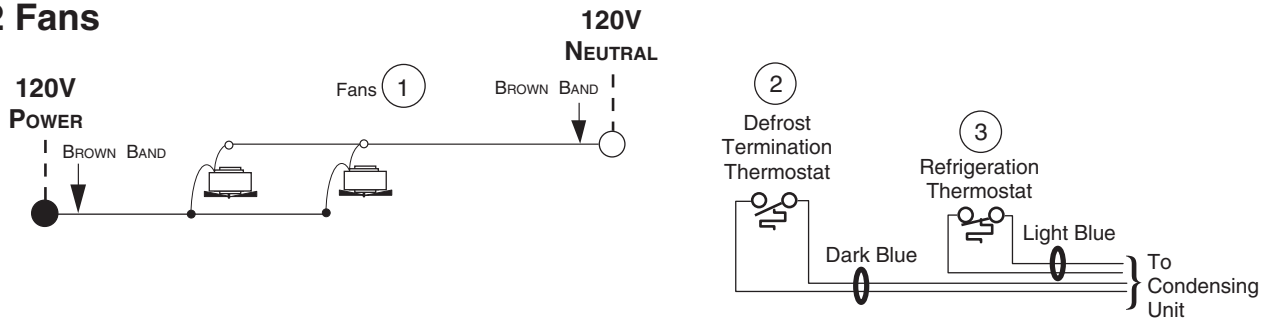
¹ AHRI Refrigerated Volume less shelving and other unusable space: Refrigerated Volume/Unit of Length, ft³/ft [m³/m]
² Computed using AHRI 1200 standard methodology: Total Display Area, ft² [m²]/Unit of Length, ft [m]
³ Shelf surface area is composed of bottom deck plus standard shelf complement, as shown in the Hussmann *Product Reference Guide*. The standard shelf complement for this model is (4) rows of 16-inch shelves.

| | | |
|--|-------------|------------------|
| ESTIMATED SHIPPING WEIGHT ⁴ | | |
| Case | | Solid End |
| | <i>Case</i> | <i>(each)</i> |
| lb (kg) | 1200 (544) | NA |
| ⁴ Actual weights will vary according to optional kits included. | | |

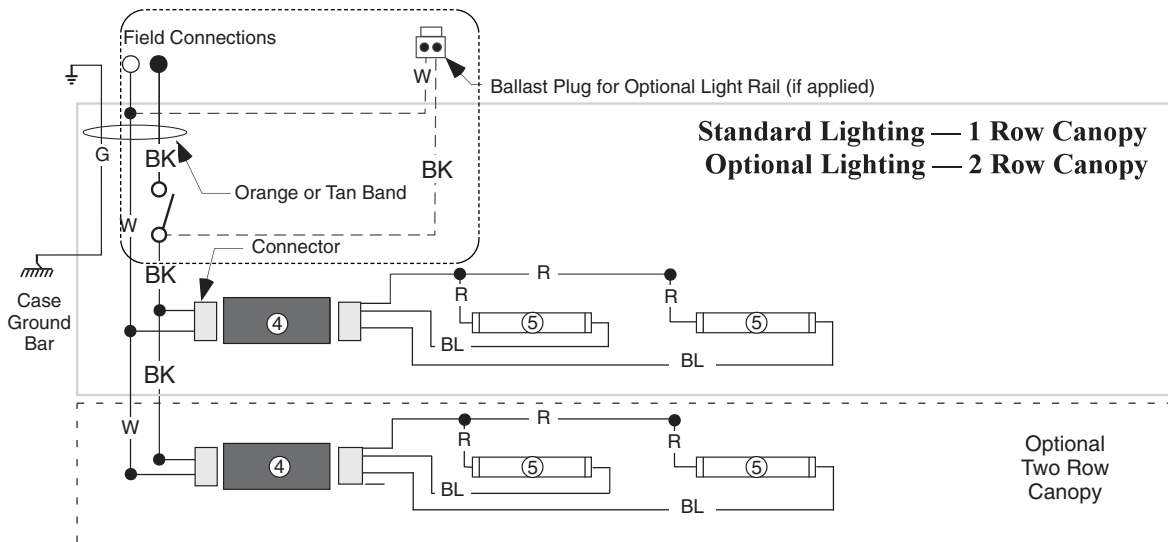
| PARTS LIST (Continued from Page 1) | | | | | |
|--|------------------------------------|---------------------------|-------------------|---------|---------------------------------------|
| Item | Part # | Description | | Item | Part # Description |
| LED FIXTURES AND POWER SUPPLY | | | | | |
| F. | 0501213 | Power Supply (EP.4481861) | (6) | H. | EcoShine LED Shelf Fixture (8) |
| G. | EcoShine LED Canopy Fixture | | (7) | 4441590 | 48-inch 2900K HCRI |
| | 4441720 | Front 48-inch | 2900K HCRI | 4441591 | 48-inch 3500K HCRI |
| | 4441722 | Front 48-inch | 3500K HCRI | 4441592 | 48-inch 3500K |
| | 4441724 | Front 48-inch | 3500K | 4441593 | 48-inch 4100K |
| | 4441726 | Front 48-inch | 4100K | | |
| | 4441721 | Rear 48-inch | 2900K HCRI | | |
| | 4441723 | Rear 48-inch | 3500K HCRI | | |
| | 4441725 | Rear 48-inch | 3500K | | |
| | 4441727 | Rear 48-inch | 4100K | | |
| Note: Always*Bright lamps will be replaced with the latest generation of EcoShine lamps. | | | | | |

Fan Wiring Offtime Defrost

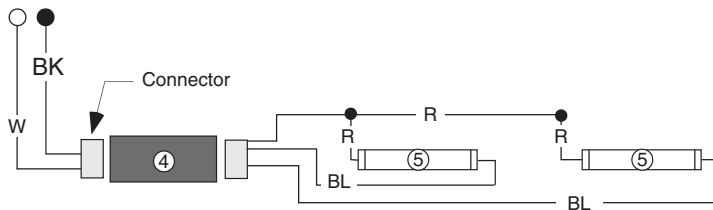
2 Fans



Canopy Light Circuits — Fluorescent Fixtures



Optional Lighting — 1 Row Rail



WARNING

All components must have mechanical ground, and the merchandiser must be grounded.

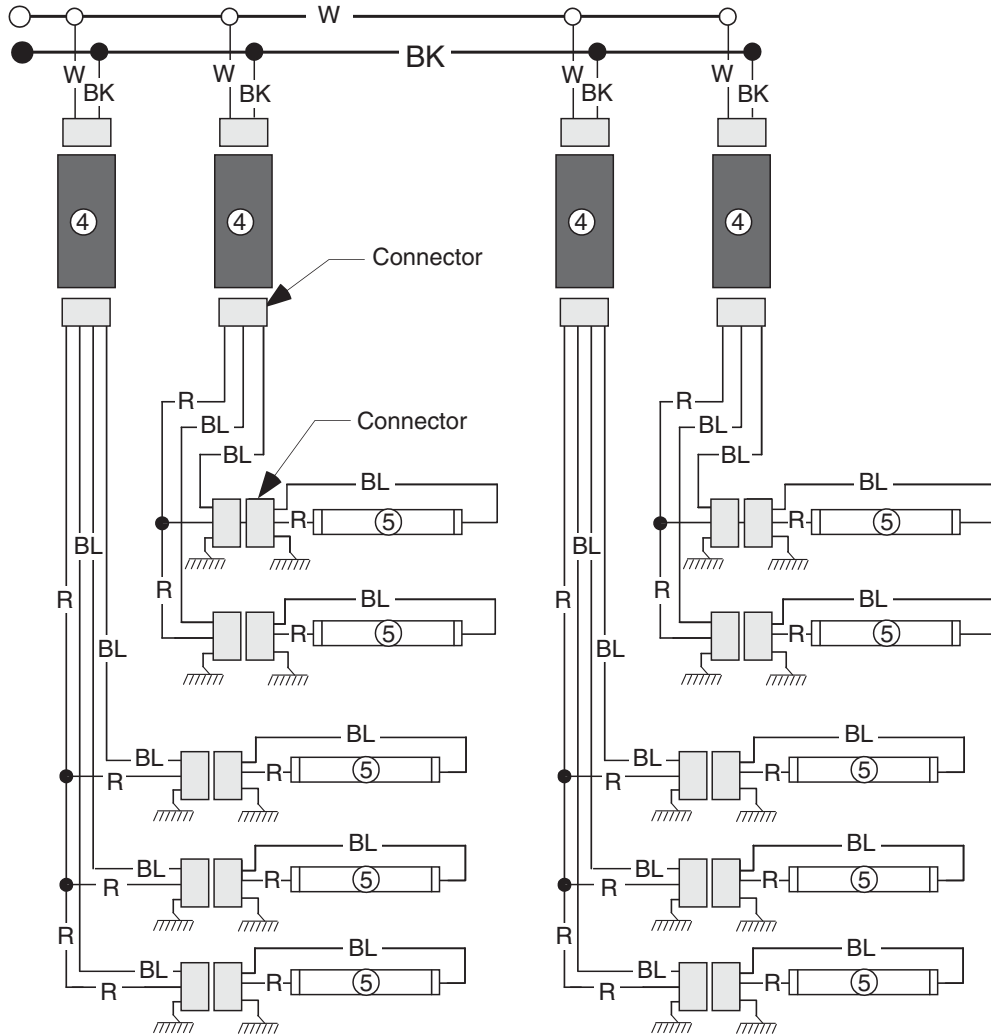
CIRCLED NUMBERS = PARTS LIST ITEM NUMBERS

R = Red Y = Yellow G = Green BL = Blue BK = Black W = White

● = 120V POWER ○ = 120V NEUTRAL ⚡ = FIELD GROUND ⏏ = CASE GROUND

**Optional Shelf Lighting
Fluorescent Fixtures**

**Optional Shelf Harness and Light Circuits for
Five Rows of Shelves in End Case**



WARNING

All components must have mechanical ground, and the merchandiser must be grounded.

CIRCLED NUMBERS = PARTS LIST ITEM NUMBERS

R = Red Y = Yellow G = Green BL = Blue BK = Black W = White

● = 120V POWER

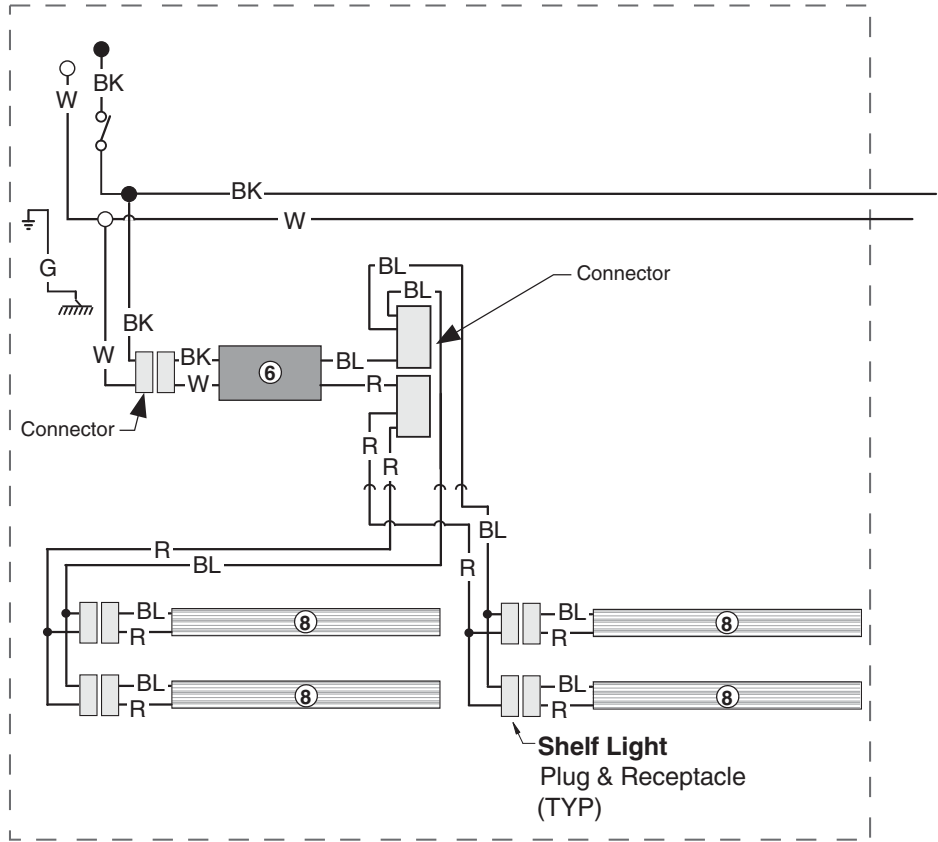
○ = 120V NEUTRAL

⏏ = Field GROUND

⏏ = Case GROUND

**Optional Shelf Lighting
LED Fixtures**

**Optional Shelf Harness and LED Light Circuits for
Two Rows of Shelves in End Case**



WARNING

All components must have mechanical ground, and the merchandiser must be grounded.

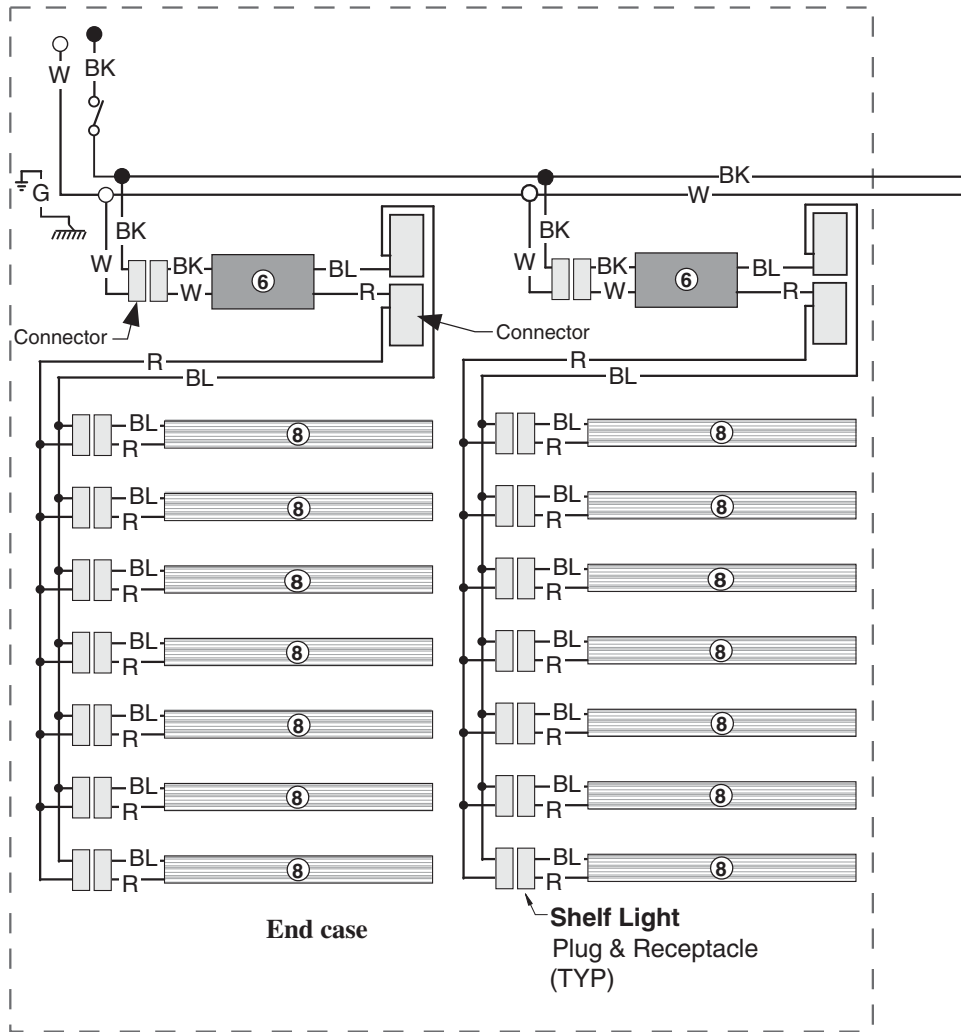
CIRCLED NUMBERS = PARTS LIST ITEM NUMBERS

R = Red G = Green BL = Blue BK = Black W = White

● = 120V POWER ○ = 120V NEUTRAL ⊥ = FIELD GROUND *mm* = CASE GROUND

Optional Shelf Lighting LED Fixtures

Optional Shelf Harness and LED Light Circuits for 3, 4, 5, 6 & 7 Rows of Shelves in Dairy End Case



WARNING

All components must have mechanical ground, and the merchandiser must be grounded.

CIRCLED NUMBERS = PARTS LIST ITEM NUMBERS

R = Red G = Green BL = Blue BK = Black W = White

● = 120V POWER ○ = 120V NEUTRAL ⊥ = FIELD GROUND mmm = CASE GROUND