

We reserve the right to change or revise specifications and product design in connection with any feature of our products. Such changes do not entitle the buyer to corresponding changes, improvements, additions or replacements for equipment previously sold or shipped.

Item	Part #	Description	Wiring Item #	Item	Part #	Description	Wiring Item #
<b>FAN ASSEMBLIES</b>				<b>LAMPS AND BALLASTS</b>			
<b>8 Ft &amp; 12 Ft</b>				D.	Ballast, Electronic		(4)
A.	<b>12W Standard Energy Efficient Fan Assembly (1)</b>			0480130	2 lamps (BA.4481676)		
	0477655	Fan Motor, Evaporator (MO.4410546)		0480131	3 lamps (BA.4481654)		
	0461805	Fan Blade (FB.4780446)		0480132	4 lamps (BA.4481677)		
<b>THERMOSTATS</b>				E.	Fluorescent Lamp		(5)
B.	0411744	Standard Non-adjustable Defrost Thermostat (CT.0411744)	(2)		<i>Replace with like fixtures</i>		
C.		Optional Adjustable Refrigeration Thermostat(3)		<b>LED FIXTURES AND POWER SUPPLY</b>			
				F.	0501213	Power Supply (EP.4481861)	(6)
				G.		LED Canopy Fixture	(7)
						<i>Replace with like fixtures</i>	
				H.		LED Shelf Fixture	(8)
						<i>Replace with like fixtures</i>	

Data sheet-Excel-P4XRO-E

**Note:** Revision H: April 2017. Updated LED energy values. Other changes marked with a bar, circle or underline.

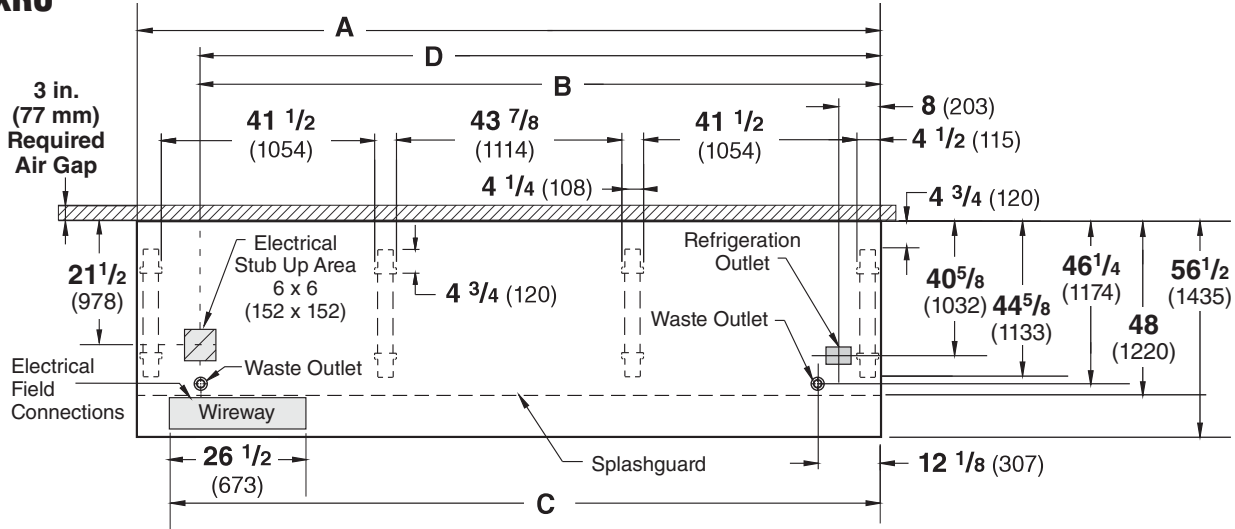
# Engineering Plan Views

PHYSICAL DATA	
Merchandiser Drip Pipe (in.)	1 1/4
Merchandiser Liquid Line (in.)	3/8
Merchandiser Suction Line (in.)	7/8

Produce  
10-2005

Dimensions shown as inches and (mm).

**P4XR0**



**NOTE: Case-to-Case Electrical Connections are made IN FRONT OF SPLASHGUARD.**

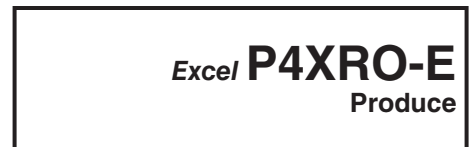
**FRONT**

	8 ft	12 ft
<b>General</b>		
<b>(A)</b> Case Length ( <i>without ends or partitions</i> ) (Each end and insulated partition adds 1 1/2 in. (38 mm) to case line up.) Maximum O/S dimension of case back to front (includes bumper)	96 3/8 (2448)	144 1/2 (3670)
Back of case to front of splashguard	56 1/2 (1435)	56 1/2 (1435)
Back of case to O/S edge of front leg	43 3/8 (1102)	43 3/8 (1102)
Distance between edges of external legs and center legs	40 (1016)	40 (1016)
Distance between edges of center legs	41 1/2 (1054)	41 1/2 (1054)
Distance between front legs and splashguard	NA	43 7/8 (1114)
	2 3/4 (70)	2 3/4 (70)
<b>Electrical Service</b> ( <i>Electrical Field Wiring connection point</i> )		
<b>(B)</b> RH End of case to center of stub up area Back of case to center of stub up area Length of electrical wireway <b>Wireway</b>	84 1/4 (2140)	132 3/8 (3363)
	38 1/2 (978)	38 1/2 (978)
	26 1/2 (673)	26 1/2 (673)
<b>(C)</b> RH End of case to LH end of wireway	90 1/8 (2289)	138 1/4 (3511)
<b>Waste Outlets</b> ( <i>One each end</i> )		
<b>(D)</b> RH End of case to the center of LH waste outlet RH End of case to the center of RH waste outlet Back O/S of case to center of waste outlets Schedule 40 PVC drip pipe	84 1/4 (2140)	132 3/8 (3363)
	12 1/8 (307)	12 1/8 (307)
	41 1/2 (1054)	41 1/2 (1054)
	1 1/4 (32)	1 1/4 (32)
<b>Refrigeration Outlet</b>		
Back of case to center of refrigeration outlet	33 5/8 (854)	33 5/8 (854)
RH end of case to center of refrigeration outlet	8 (203)	8 (203)

## Multi-deck, 4 Display Levels



Hussmann refrigerated merchandisers configured for sale for use in the United States meet or surpass the requirements of the DOE 2017 energy efficiency standards.



### REFRIGERATION DATA

**Note:** This data is based on store temperature and humidity that does not exceed 75°F and 55% R.H.

	P4XRO-E <sup>§</sup>
Discharge Air (°F)	31
Evaporator (°F)	24
Unit Sizing (°F)	22

<sup>§</sup> Average evaporator temperature shown. Use dew point for high glide refrigerants for unit sizing. Care should be taken to use the dew point in PT tables for measuring and adjusting superheat. Adjust evaporator pressure as needed to maintain discharge air temperature shown.

*Btu/hr/ft — Unlit Shelves<sup>‡</sup>*

	P4XRO-E	Parallel	Conventional
UNLIT	1400		1530

<sup>‡</sup> Add 10 Btu/hr/ft per shelf row for LED fixtures.  
Add 20 Btu/hr/ft per shelf row for fluorescent lamps.

### DEFROST DATA

	P4XRO-E
Frequency Hr	6
Defrost Water (lb/ft/day)	9

(± 15% based on case configuration and product loading).

	P4XRO-E
OFFTIME	
Temp Term °F	48
Failsafe Minutes	30

**ELECTRIC OR GAS** Not Recommended

### Standard Defrost Thermostat

Close on rise: close 48°F — open 33°F

### CONVENTIONAL CONTROLS

#### Low Pressure Backup Control

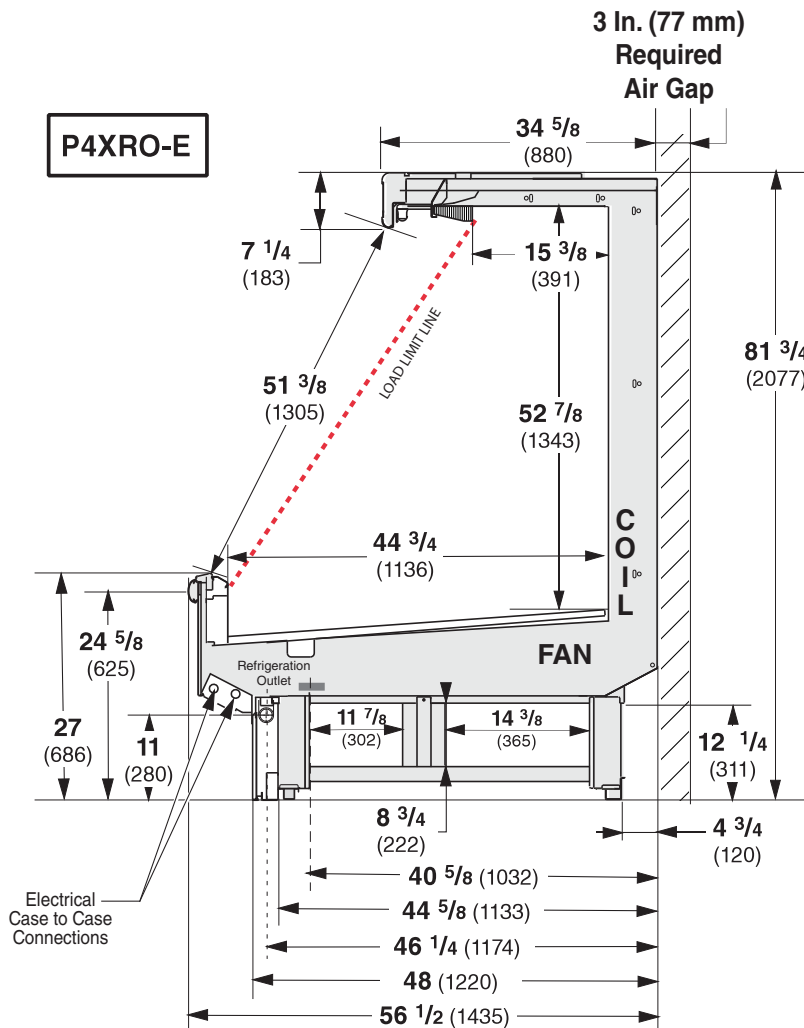
	P4XRO-E
CI/CO*	17°F / 7°F

#### Indoor Unit Only,

Pressure Defrost Termination\* 48°F

\*Use a Temperature Pressure Chart to determine PSIG conversions.

Dimensions shown as inches and (mm).



Estimated Charge**	P4XRO-E	
8 ft	3.2 lb	51 oz 1.5 kg
12 ft	4.5 lb	72 oz 2.0 kg

\*\*This is an average for all refrigerant types. Actual refrigerant charge may vary by approximately half a pound (8 oz/0.2 kg).

### NSF Certification

This merchandiser model is manufactured to meet NSF/ANSI (National Sanitation Foundation) Standard #7 requirements for construction, materials & cleanability.

# Excel P4XRO-E Produce

## Electrical Data

			8 ft	12 ft		
<b>Number of Fans—12W</b>			4	6		
			Amperes		Watts	
			8 ft	12 ft	8 ft	12 ft
<b>Evaporator Fan</b>						
120V	50/60Hz	Standard Energy Efficient	1.20	1.80	72	108
230V	50/60Hz	Standard Energy Efficient	0.60	0.90	72	108
230V	60Hz	Export	1.32	1.98	200	300
230V	50Hz	Export	1.52	2.28	228	342
<b>Minimum Circuit Ampacity</b>						
120V	50/60Hz	Standard Energy Efficient	1.40	2.00		
230V	50/60Hz	Standard Energy Efficient	0.80	1.10		
230V	60Hz	Export	1.52	2.18		
230V	50Hz	Export	1.72	2.48		
<b>Maximum Over Current Protection 120V</b>			<b>20</b>	<b>20</b>		
Maximum Over Current Protection 230V			15	15		
<b>Standard Lighting (T-8 fluorescent)</b>						
1 Row Canopy			0.51	0.77	59	85
<b>ONLY LIGHTING CONFIGURATIONS THAT ARE COMPLIANT WITH THE U.S. DEPT. OF ENERGY (DOE) 2017 REGULATION ARE AVAILABLE FOR SALE FOR USE IN THE U.S.A.</b>						
<b>Optional Lighting (T-8 fluorescent)</b>						
Additional 2 Row Canopy			1.02	1.54	118	170
Additional 3 Row Canopy			1.53	2.31	177	255
1 Row Rail Light			0.51	0.77	59	85
1 Row of Shelves			0.51	0.77	59	85
2 Rows of Shelves			1.02	1.54	118	170
3 Rows of Shelves			1.53	2.31	177	255
4 Rows of Shelves			2.04	3.08	236	340
<b>EcoShine II Canopy</b>						
EcoShine II			0.32	0.48	38.6	58.0
EcoShine II HO			0.44	0.66	53.0	79.4
<b>EcoShine II Rail Light —1 Row</b>			0.16	0.25	19.8	29.7
<b>EcoShine II Shelves</b>						
2 Rows of Shelves			0.33	0.49	39.5	59.3
3 Rows of Shelves			0.49	0.74	59.3	89.0
4 Rows of Shelves			0.66	0.99	79.1	118.6

120V Lighting Circuit Total = Standard Lighting + Total Optional Lighting + Optional Shelf Lighting

120V LED Lighting Circuit Total = Canopy Lighting + Shelf Lighting + Optional Rail Lighting

230V Lighting Circuit Total = Multiply 120V Lighting Circuit Total by 0.52

Please note: some combinations of fluorescent lights on this case model may not be compliant with DOE 2017 and may not be available to order in the US and Canada. More lighting options are available with LED lights. The Hussmann Product Configurator will not allow lighting options that do not comply with the DOE 2017 standards.

**Product Data**

<i>Recommended Usable Cube</i> <sup>1</sup> (Cu Ft/Ft)	9.25 ft <sup>3</sup> /ft (0.86 m <sup>3</sup> /m)
<i>AHRI Total Display Area</i> <sup>2</sup> (Sq Ft/Ft)	4.28 ft <sup>2</sup> /ft (1.30 m <sup>2</sup> /m)
<i>Shelf Area</i> <sup>3</sup> (Sq Ft/Ft)	8.09 ft <sup>2</sup> /ft (2.47 m <sup>2</sup> /m)

- <sup>1</sup> AHRI Refrigerated Volume less shelving and other unusable space: Refrigerated Volume/Unit of Length, ft<sup>3</sup>/ft [m<sup>3</sup>/m]  
<sup>2</sup> Computed using AHRI 1200 standard methodology: Total Display Area, ft<sup>2</sup> [m<sup>2</sup>]/Unit of Length, ft [m]  
<sup>3</sup> Shelf surface area is composed of bottom deck plus standard shelf complement, as shown in the Hussmann *Product Reference Guide*. The standard shelf complement for this model is (1) row of 16-inch shelf and (2) rows of 18-inch shelves.

**ESTIMATED SHIPPING WEIGHT <sup>4</sup>**

Case	<i>8 ft</i>	<i>12 ft</i>	Solid End <i>(each)</i>
<b>lb</b> (kg)	1100 (499)	1400 (635)	100 (45)

<sup>4</sup> Actual weights will vary according to optional kits included.

# Fan Wiring Offtime Defrost

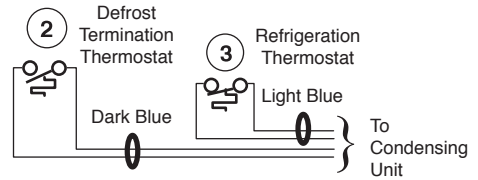
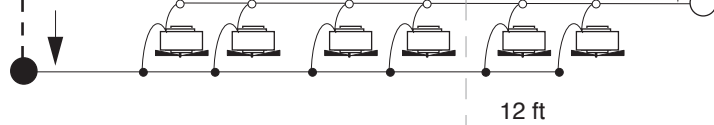
4 & 6 Fans

8 ft – 4 Fans  
12 ft – 6 Fans

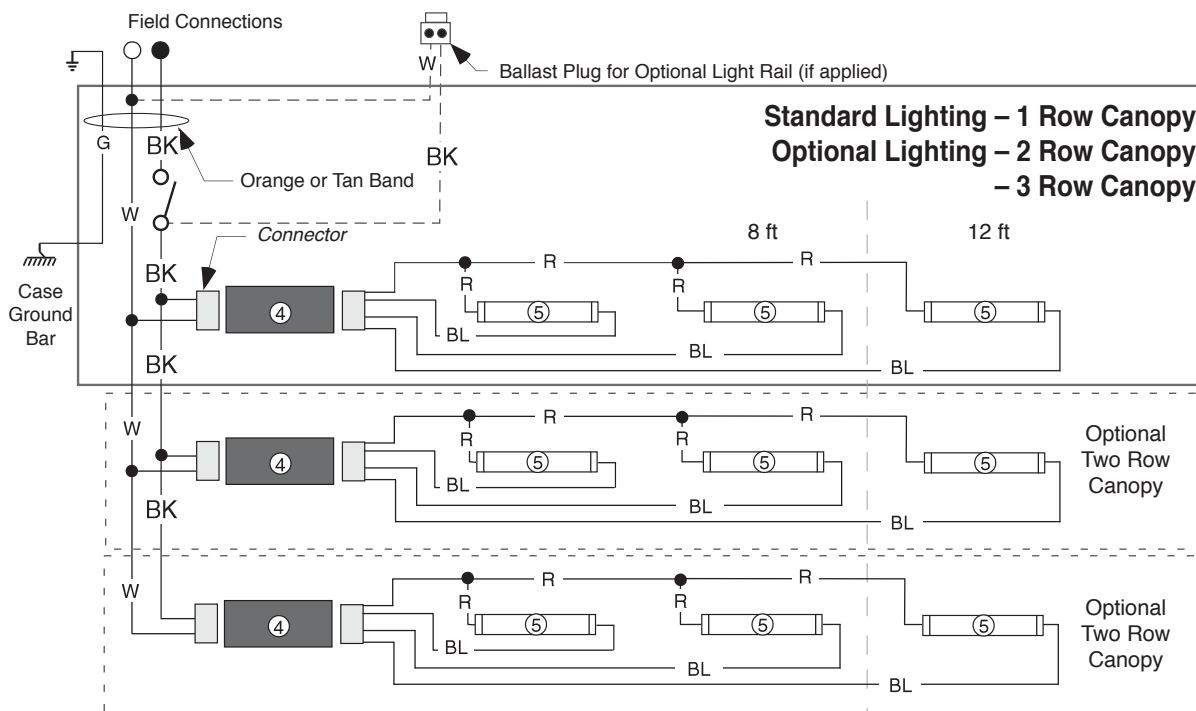
120V NEUTRAL

120V POWER

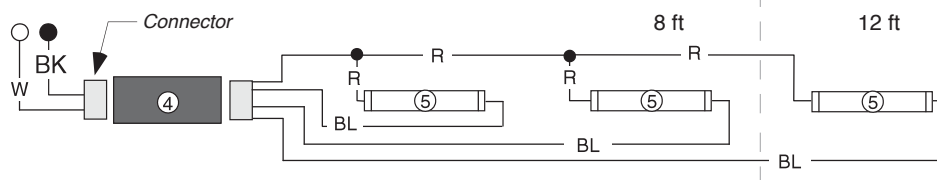
BROWN BAND



# Light Circuits — Fluorescent Fixtures



## Optional Lighting – 1 Row Rail



## WARNING

All components must have mechanical ground, and the merchandiser must be grounded.

CIRCLED NUMBERS = PARTS LIST ITEM NUMBERS

R = Red

Y = Yellow

G = Green

BL = Blue

BK = Black

W = White

● = 120V POWER

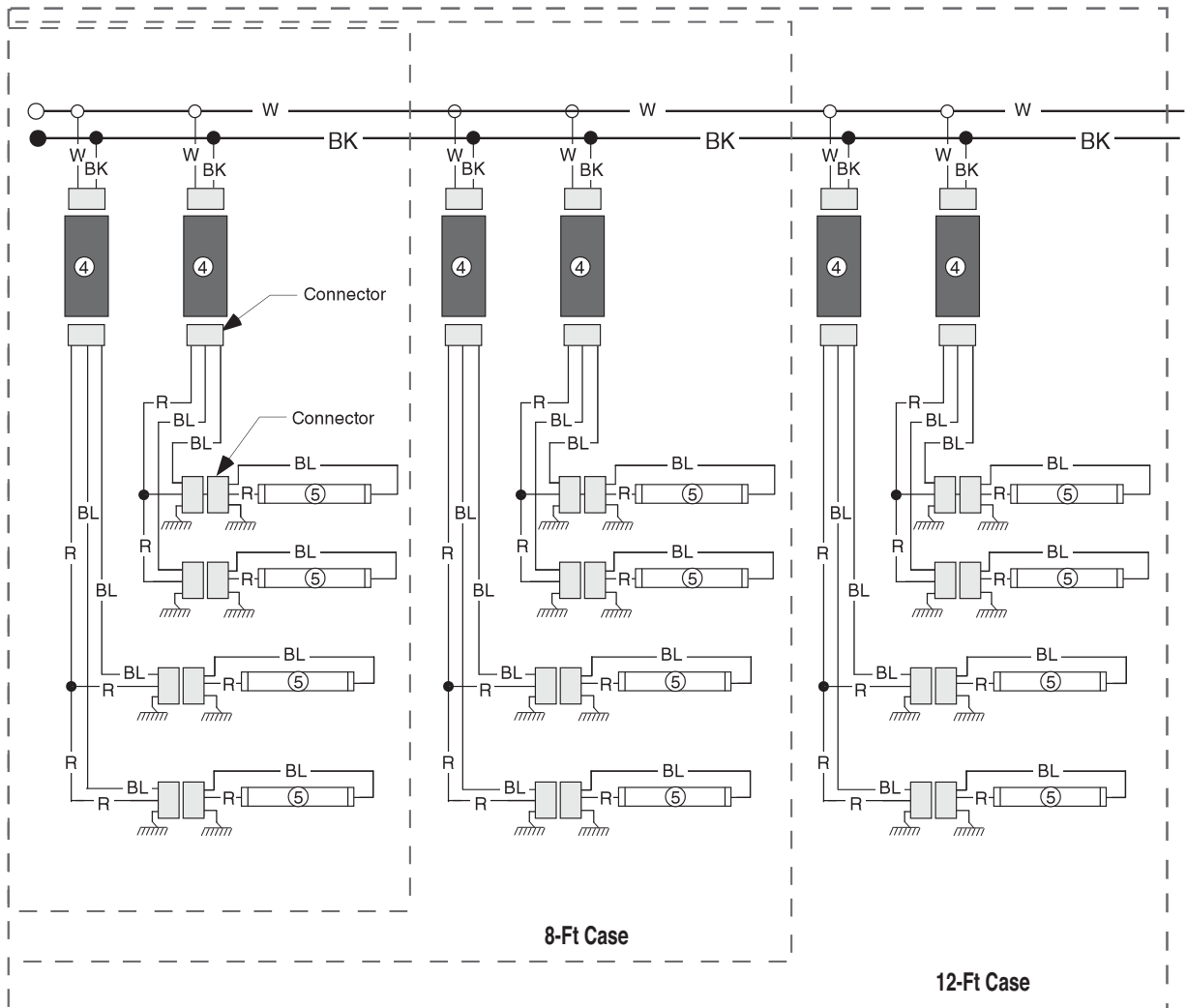
○ = 120V NEUTRAL

⊥ = FIELD GROUND

⏏ = CASE GROUND

# Optional Shelf Lighting Fluorescent Fixtures

## Optional Shelf Harness and Light Circuits for Four Rows of Shelves



### WARNING

All components must have mechanical ground, and the merchandiser must be grounded.

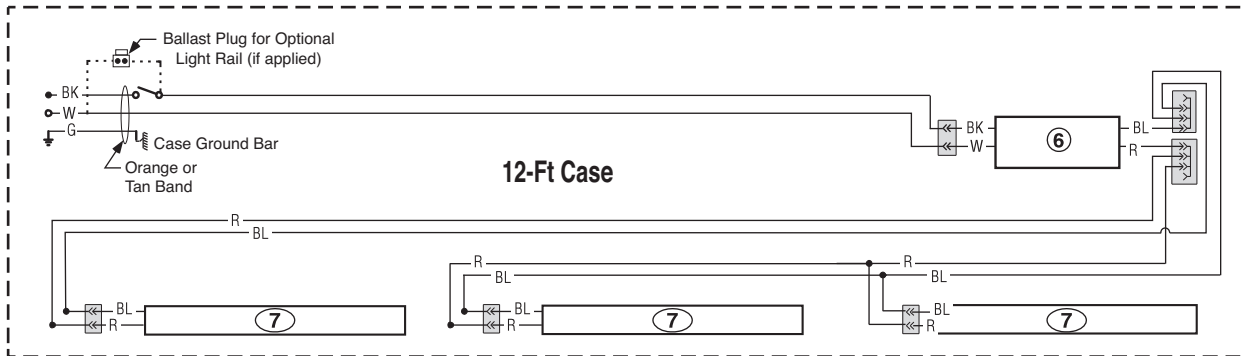
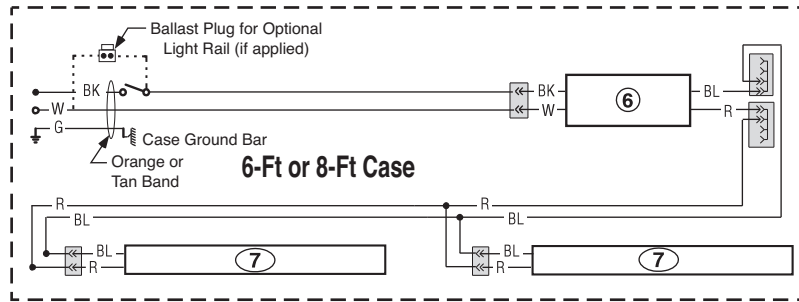
CIRCLED NUMBERS = PARTS LIST ITEM NUMBERS

R = Red    Y = Yellow    G = Green    BL = Blue    BK = Black    W = White

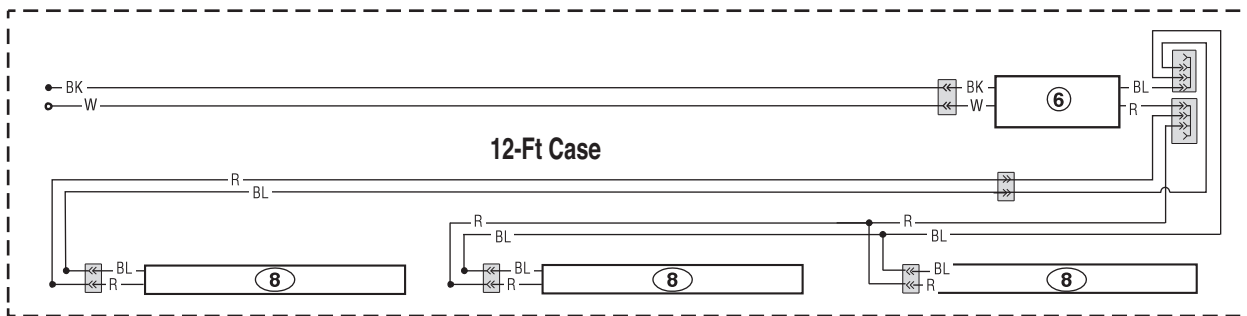
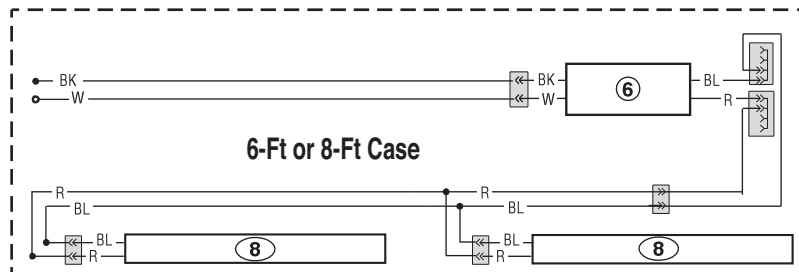
● = 120V POWER    ○ = 120V NEUTRAL    ⚡ = FIELD GROUND    ≡ = CASE GROUND

# Optional Canopy and Rail Light Circuits — LED Fixtures

## EcoShine II LED Canopy Lighting – 1 Row



## EcoShine II LED Rail Lighting – 1 Row



### WARNING

All components must have mechanical ground, and the merchandiser must be grounded.

CIRCLED NUMBERS = PARTS LIST ITEM NUMBERS

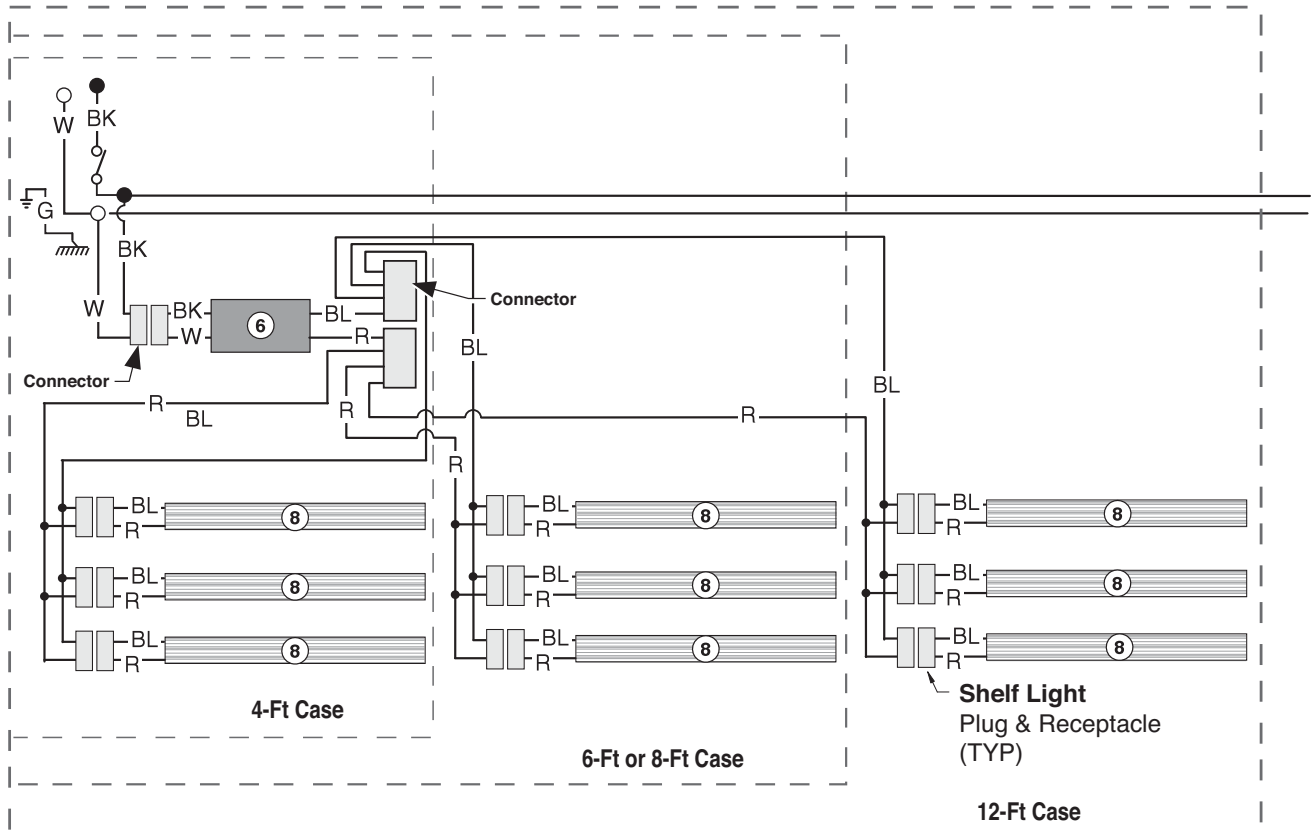
R = Red    Y = Yellow    G = Green    BL = Blue    BK = Black    W = White

● = 120V POWER    ○ = 120V NEUTRAL    ⊥ = FIELD GROUND     $\overline{\text{m}}$  = CASE GROUND



# Optional Shelf Lighting LED Fixtures

## Optional Shelf Harness and LED Light Circuits for 2 or 3 Rows of Shelves



### WARNING

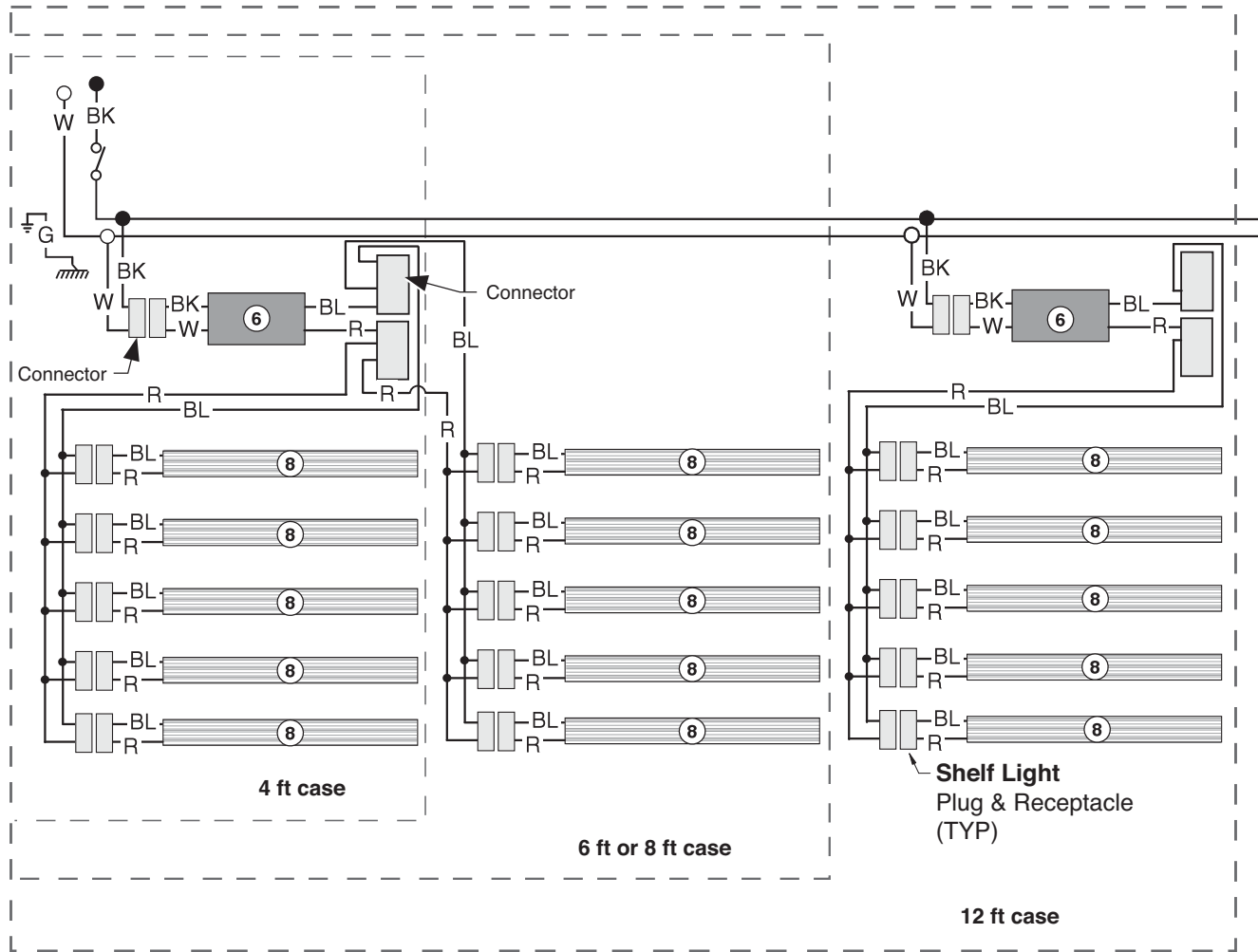
All components must have mechanical ground, and the merchandiser must be grounded.

CIRCLED NUMBERS = PARTS LIST ITEM NUMBERS

R = Red      G = Green      BL = Blue      BK = Black      W = White  
 ● = 80V POWER      ○ = 80V NEUTRAL      ⊥ = FIELD GROUND      ≡ = CASE GROUND

# Optional Shelf Lighting LED Fixtures

## Optional Shelf Harness and LED Light Circuits for 4 or 5 Rows of Shelves



### WARNING

All components must have mechanical ground, and the merchandiser must be grounded.

CIRCLED NUMBERS = PARTS LIST ITEM NUMBERS

R = Red      G = Green      BL = Blue      BK = Black      W = White

● = 80V POWER      ○ = 80V NEUTRAL      ⊥ = FIELD GROUND       $\overline{\overline{\overline{m}}}$  = CASE GROUND