

We reserve the right to change or revise specifications and product design in connection with any feature of our products. Such changes do not entitle the buyer to corresponding changes, improvements, additions or replacements for equipment previously sold or shipped.

| Item | Part # | Description | Wiring Item # | Item | Part # | Description | Wiring Item # |
|-------------------------|--|------------------------------------|---------------|--------------------------------------|---|---------------------------|---------------|
| FAN ASSEMBLIES | | | | LAMPS AND BALLASTS | | | |
| 8 Ft & 12 Ft | | | | C. | Ballast, Electronic | | (3) |
| A. | 7W Standard | Fan Assembly | (1) | 0480130 | 2 lamps (BA.4481676) | | |
| | 0058698 | Fan Motor, Evaporator (MO.4410102) | | 0480131 | 3 lamps (BA.4481654) | | |
| | 0142780 | Fan Blade (FB.0142780) | | 0480132 | 4 lamps (BA.4481677) | | |
| | 7W Energy Efficient | Fan Assembly | (1) | D. | Fluorescent Lamp | | (4) |
| | 0477654 | Fan Motor, Evaporator (MO.4410545) | | | <i>Replace with like fixtures</i> | | |
| | 0142780 | Fan Blade (FB.0142780) | | LED FIXTURES AND POWER SUPPLY | | | |
| THERMOSTAT | | | | E. | 0501213 | Power Supply (EP.4481861) | (5) |
| B. | Optional Adjustable Refrigeration Thermostat | | (2) | F. | LED Canopy Fixture | | (6) |
| | | | | | <i>Replace with like fixtures — See Page 5.</i> | | |
| | | | | G. | LED Shelf Fixture | | (7) |
| | | | | | <i>Replace with like fixtures — See Page 5.</i> | | |

Note: Revision F adds EcoShine LED (page 4) and parts (page 5), and revises canopy wiring diagram (page 6). Other changes marked by bar, underline or circle.



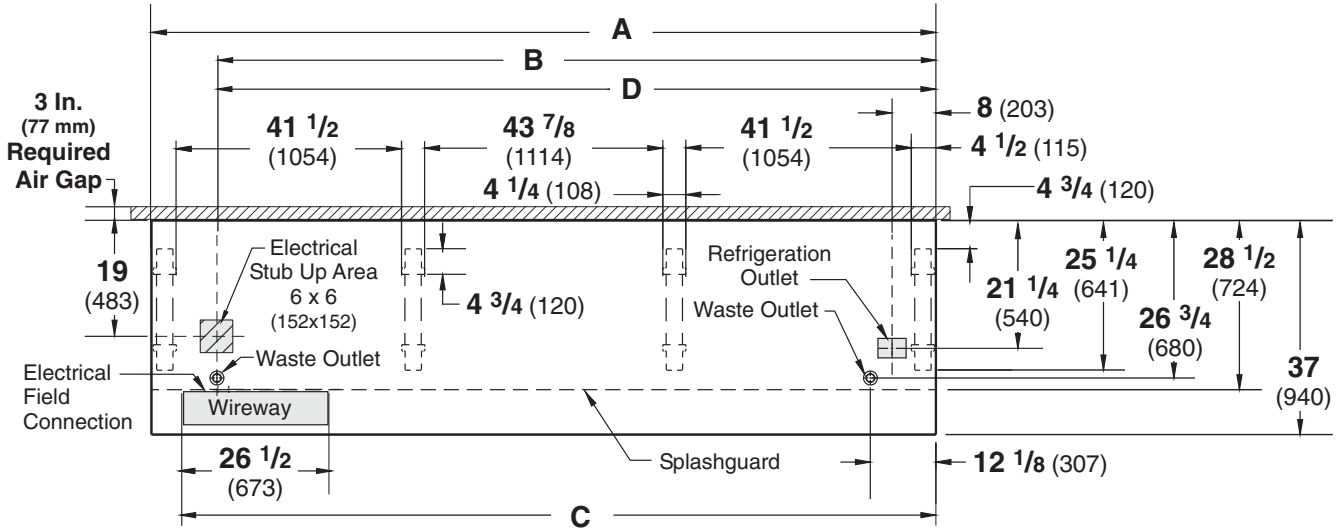
Engineering Plan Views

| PHYSICAL DATA | |
|---------------------------------|-------|
| Merchandiser Drip Pipe (in.) | 1 1/4 |
| Merchandiser Liquid Line (in.) | 3/8 |
| Merchandiser Suction Line (in.) | 7/8 |

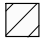



Produce
10-2005

Dimensions shown as inches and (mm).

P2NX-EP

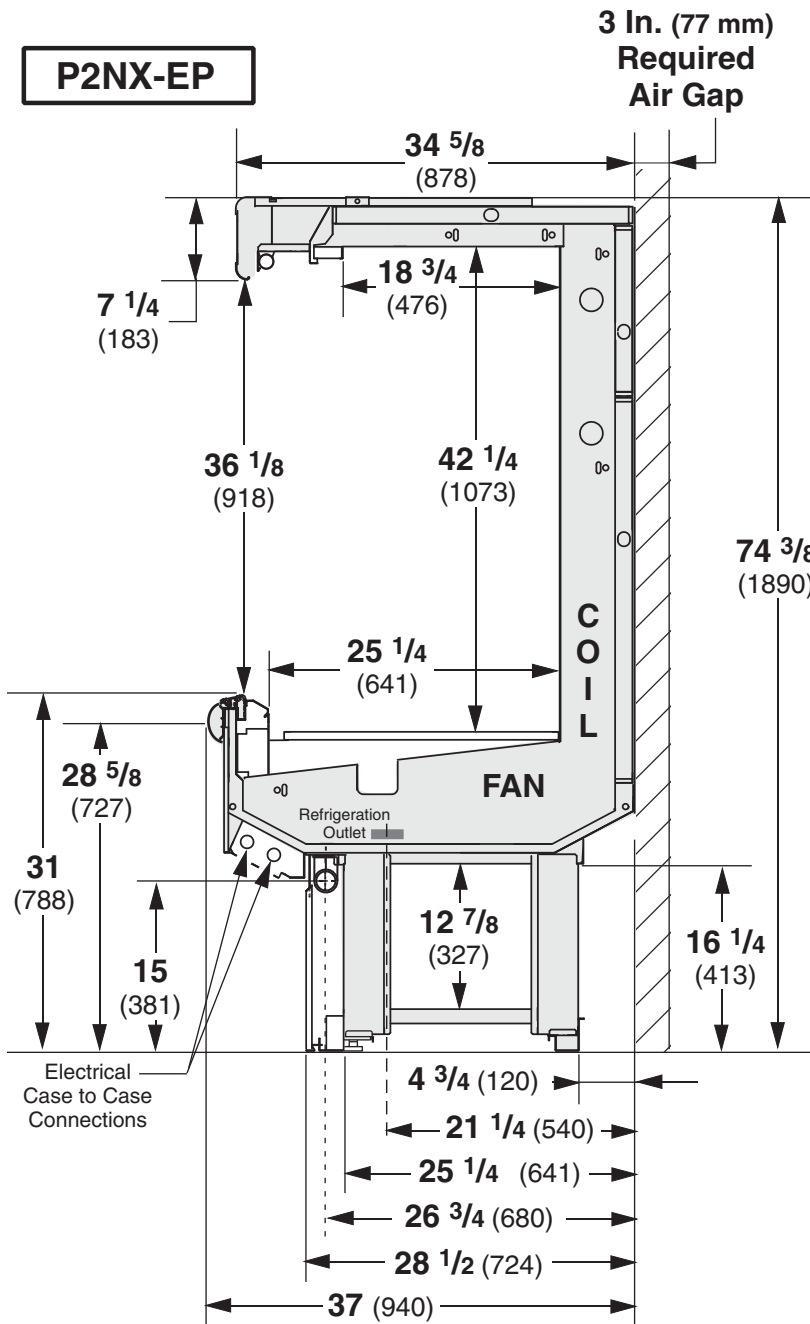


NOTE: Case-to-Case Electrical Connections are made IN FRONT OF SPLASHGUARD.

| | 8 ft | 12 ft |
|--|---------------|----------------|
| General | | |
| (A) Case Length (<i>without ends or partitions</i>) (Each end and insulated partition adds 1 1/2 in. (38 mm) to case line up.) Maximum O/S dimension of case back to front (includes bumper) | 96 3/8 (2448) | 144 1/2 (3670) |
| Back of case to front of splashguard | 37 (940) | 37 (940) |
| Back of case to O/S edge of front leg | 28 1/2 (724) | 28 1/2 (724) |
| Distance between edges of external legs and center legs | 25 1/4 (641) | 44 5/8 (1133) |
| Distance between edges of center legs | 41 1/2 (1054) | 41 1/2 (1054) |
| Distance between front legs and splashguard | NA | 43 7/8 (1114) |
| | 2 3/4 (70) | 2 3/4 (70) |
| Electrical Service  (<i>Electrical Field Wiring connection point</i>) | | |
| (B) RH End of case to center of stub up area | 84 1/4 (2140) | 132 3/8 (3363) |
| Back of case to center of stub up area | 19 (483) | 19 (483) |
| Length of electrical wireway  | 26 1/2 (673) | 26 1/2 (673) |
| (C) RH End of case to LH end of wireway | 90 1/8 (2289) | 138 1/4 (3511) |
| Waste Outlets (<i>One each end</i>)  | | |
| (D) RH End of case to the center of LH waste outlet | 84 1/4 (2140) | 132 3/8 (3363) |
| RH End of case to the center of RH waste outlet | 12 1/8 (307) | 12 1/8 (307) |
| Back O/S of case to center of waste outlets | 26 3/4 (680) | 26 3/4 (680) |
| Schedule 40 PVC drip pipe | 1 1/4 (32) | 1 1/4 (32) |
| Refrigeration Outlet  | | |
| Back of case to center of refrigeration outlet | 21 1/4 (540) | 21 1/4 (540) |
| RH end of case to center of refrigeration outlet | 8 (203) | 8 (203) |

Impact Excel P2NX-EP
All Produce

Dimensions shown as inches and (mm).



REFRIGERATION DATA

Note: This data is based on store temperature and humidity that does not exceed 75°F and 55% R.H.

| P2NX-EP | UNLIT | LIT |
|------------------|-------|-----|
| Discharge Air °F | 39 | 39 |
| Evaporator °F | 34 | 34 |
| Unit Sizing °F | 32 | 32 |

Btu/hr/ft² — Unlit Shelves^{‡‡}

| P2NX-EP | Parallel | Conventional |
|---------|----------|--------------|
| UNLIT | 1000 | 1000 |

[‡]Optional energy efficient motors reduce the refrigeration load by 21 Btu/hr/ft.
^{‡‡} Add 10 Btu/hr/ft per shelf row for LED fixtures.
 Add 20 Btu/hr/ft per shelf row for fluorescent lamps.

DEFROST DATA

| | P2NX-EP |
|---------------------------|---------|
| Frequency (hr) | NONE |
| Defrost Water (lb/ft/day) | 6 |

(± 15% based on case configuration and product loading).

| OFFTIME | P2NX-EP |
|-----------------|-----------------|
| Time (minutes) | NONE |
| ELECTRIC OR GAS | Not Recommended |

CONVENTIONAL CONTROLS

| Low Pressure Backup Control | P2NX-EP |
|-------------------------------|-------------|
| CI/CO* | 27°F / 17°F |
| Indoor Unit Only, | |
| Pressure Defrost Termination* | 48°F |

*Use a Temperature Pressure Chart to determine PSIG conversions.

| Estimated Charge** | P2NX-EP | | |
|--------------------|---------|-------|--------|
| 8 ft | 2.7 lb | 43 oz | 1.2 kg |
| 12 ft | 3.9 lb | 62 oz | 1.8 kg |

**This is an average for all refrigerant types. Actual refrigerant charge may vary by approximately half a pound.

NSF Certification

This merchandiser model is manufactured to meet ANSI/NSF (National Sanitation Foundation) Standard #7 requirements for construction, materials & cleanability.

Impact Excel P2NX-EP
Bulk Produce

Electrical Data

| | | | 8 ft | 12 ft | | |
|--|------|------------------|----------------|--------------|--------------|--------------|
| Number of Fans—7W | | | 2 | 3 | | |
| | | | Amperes | | Watts | |
| | | | 8 ft | 12 ft | 8 ft | 12 ft |
| Evaporator Fan | | | | | | |
| 120V | 60Hz | Standard | 1.00 | 1.50 | 78 | 117 |
| 120V | 50Hz | Standard | 1.10 | 1.65 | 84 | 126 |
| 230V | 60Hz | Export | 0.50 | 0.75 | 78 | 117 |
| 230V | 50Hz | Export | 0.56 | 0.84 | 84 | 126 |
| 120V | 60Hz | Energy Efficient | 0.38 | 0.57 | 28 | 42 |
| 230V | 60Hz | Energy Efficient | 0.20 | 0.30 | 28 | 42 |
| Minimum Circuit Ampacity | | | | | | |
| 120V | 60Hz | Standard | 1.20 | 1.70 | | |
| 120V | 50Hz | Standard | 1.30 | 1.85 | | |
| 230V | 60Hz | Export | 0.70 | 0.95 | | |
| 230V | 50Hz | Export | 0.76 | 1.04 | | |
| 120V | 60Hz | Energy Efficient | 0.58 | 0.77 | | |
| 230V | 60Hz | Energy Efficient | 0.40 | 0.50 | | |
| Maximum Over Current Protection 120V | | | 20 | 20 | | |
| Maximum Over Current Protection 230V | | | 15 | 15 | | |
| Standard Lighting (T-8 fluorescent) | | | | | | |
| 1 Row Canopy | | | 0.51 | 0.77 | 59 | 85 |
| Optional Lighting (T-8 fluorescent) | | | | | | |
| Additional 1 Row Canopy | | | 0.51 | 0.77 | 59 | 85 |
| Additional 2 Row Canopy | | | 1.02 | 1.54 | 118 | 170 |
| Additional 3 Row Canopy | | | 1.53 | 2.31 | 177 | 255 |
| 1 Row Rail Light | | | 0.51 | 0.77 | 59 | 85 |
| 1 Row of Shelves | | | 0.51 | 0.77 | 59 | 85 |
| 2 Rows of Shelves | | | 1.02 | 1.54 | 118 | 170 |
| EcoShine Multi-deck — Normal CRI—120VAC, 50/60Hz | | | | | | |
| 2 Row Canopy (Front & Rear) | | | 0.55 | 0.82 | 66 | 98 |
| 1 Row of Shelves | | | 0.20 | 0.29 | 24 | 35 |
| 2 Rows of Shelves | | | 0.39 | 0.58 | 47 | 70 |
| EcoShine Multi-deck — High CRI —120VAC, 50/60Hz | | | | | | |
| 2 Row Canopy (Front & Rear) | | | 0.63 | 0.93 | 75 | 112 |
| 1 Row of Shelves | | | 0.23 | 0.35 | 28 | 42 |
| 2 Rows of Shelves | | | 0.47 | 0.70 | 56 | 84 |
| Always*Bright Multi-deck Lighting — 120VAC, 50/60Hz | | | | | | |
| 2 Row Canopy (Front & Rear) | | | 0.71 | 1.08 | 85 | 130 |
| 1 Row of Shelves | | | 0.23 | 0.38 | 28 | 45 |
| 2 Rows of Shelves | | | 0.47 | 0.67 | 56 | 80 |

120V Lighting Circuit Total = Standard Lighting + Total Optional Lighting + Optional Shelf Lighting

230V Lighting Circuit Total = Multiply 120V Lighting Circuit Total by 0.52

Product Data

| | |
|--|---|
| <i>Recommended Usable Cube</i> ¹ (Cu Ft/Ft) | 5.93 ft ³ /ft (0.55 m ³ /m) |
| <i>AHRI Total Display Area</i> ² (Sq Ft/Ft) | 3.32 ft ² /ft (1.01 m ² /m) |
| <i>Shelf Area</i> ³ (Sq Ft/Ft) | 3.45 ft ² /ft (1.05 m ² /m) |

- ¹ AHRI Refrigerated Volume less shelving and other unusable space: Refrigerated Volume/Unit of Length, ft³/ft [m³/m]
² Computed using AHRI 1200 standard methodology: Total Display Area, ft² [m²]/Unit of Length, ft [m]
³ Shelf surface area is composed of bottom deck plus standard shelf complement, as shown in the Hussmann *Product Reference Guide*. The standard shelf complement for this model is (1) row of 16-inch shelf.

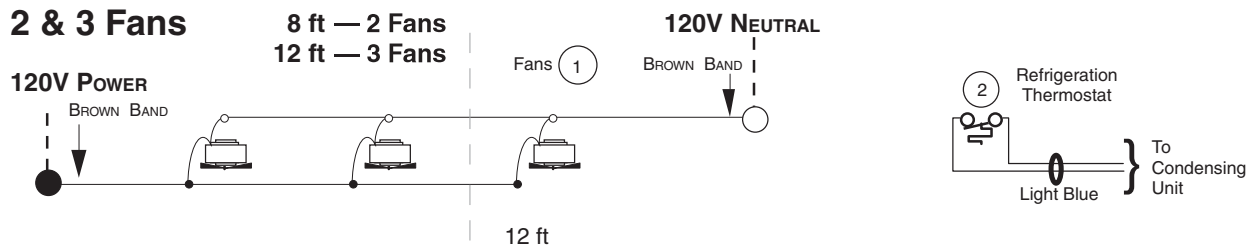
| ESTIMATED SHIPPING WEIGHT ⁴ | | | |
|--|------------|------------|-----------|
| Case | 8 ft | 12 ft | Solid End |
| | | | (each) |
| lb (kg) | 1000 (454) | 1200 (544) | 75 (34) |

⁴ Actual weights will vary according to optional kits included.

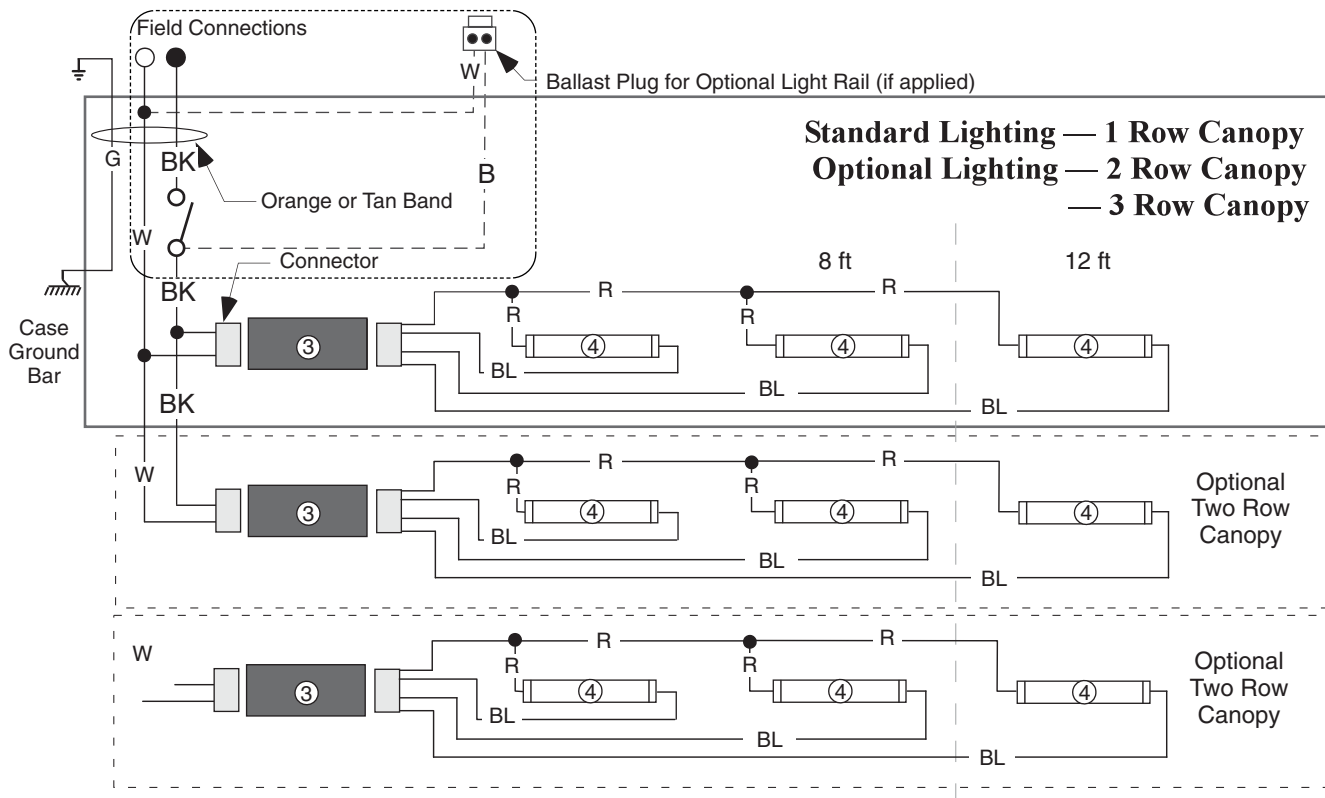
| PARTS LIST (Continued from Page 1) | | | | | |
|--------------------------------------|--|-------------------------------|---------|---------------------------------------|-------------------|
| Item | Part # | Description | Item | Part # | Description |
| LED FIXTURES AND POWER SUPPLY | | | | | |
| E. | 0501213 | Power Supply (EP.4481861) (5) | G. | EcoShine LED Shelf Fixture (7) | |
| F. | EcoShine LED Canopy Fixture (6) | | 4441590 | 48-inch | 2900K HCRI |
| | 4441720 | Front 48-inch | 4441591 | 48-inch | 3500K HCRI |
| | 4441722 | Front 48-inch | 4441592 | 48-inch | 3500K |
| | 4441724 | Front 48-inch | 4441593 | 48-inch | 4100K |
| | 4441726 | Front 48-inch | | | |
| | 4441721 | Rear 48-inch | | | |
| | 4441723 | Rear 48-inch | | | |
| | 4441725 | Rear 48-inch | | | |
| | 4441727 | Rear 48-inch | | | |

Note: Always*Bright lamps will be replaced with the latest generation of EcoShine lamps.

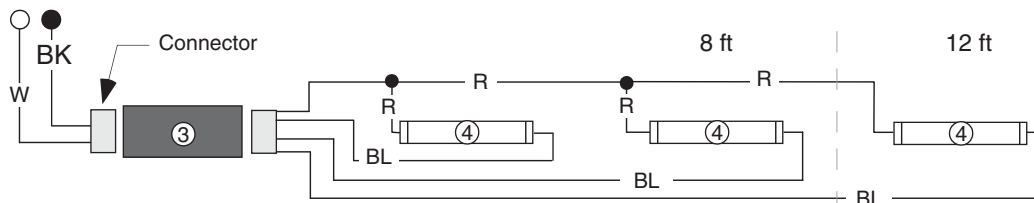
Fan Wiring Offtime Defrost



Light Circuits — Fluorescent Fixtures



Optional Lighting — 1 Row Rail



WARNING

All components must have mechanical ground, and the merchandiser must be grounded.

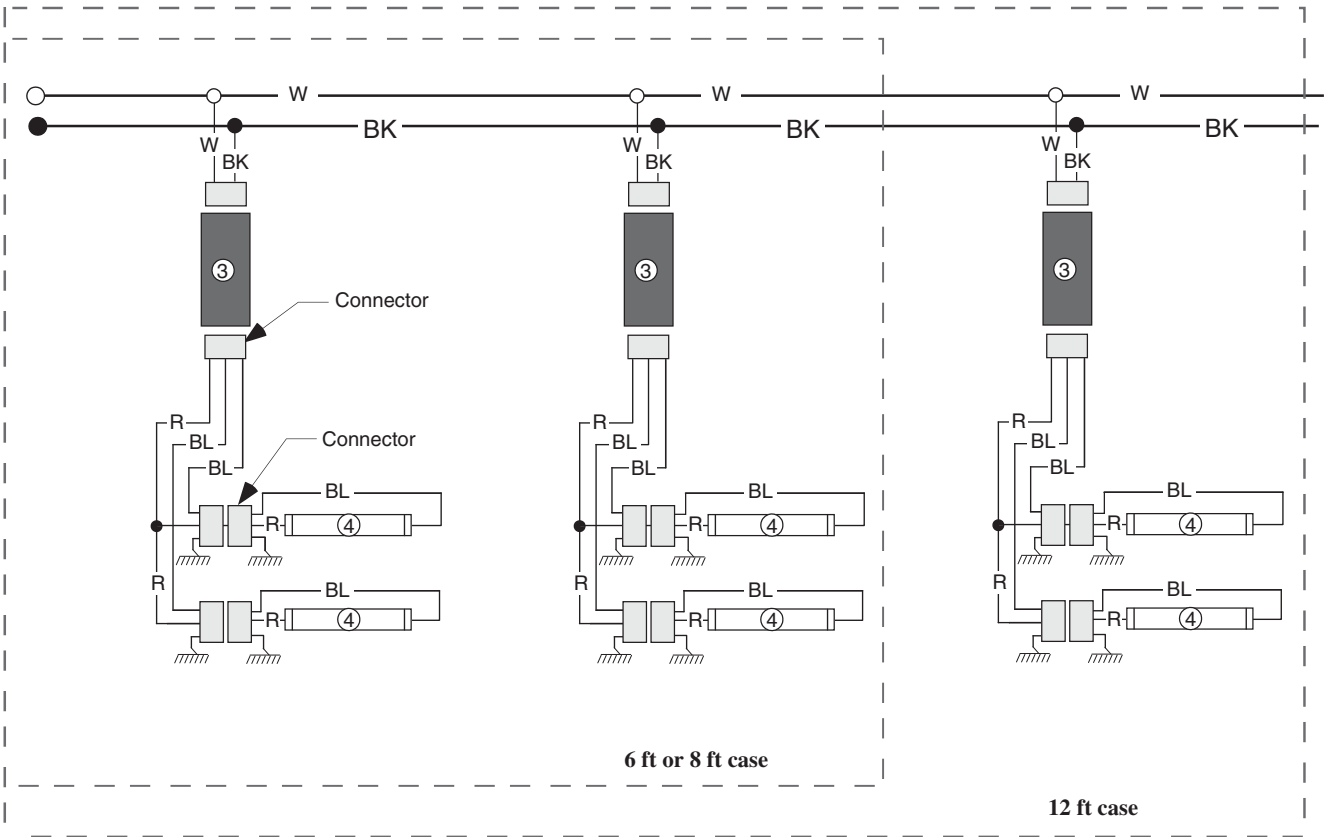
CIRCLED NUMBERS = PARTS LIST ITEM NUMBERS

R = Red Y = Yellow G = Green BL = Blue BK = Black W = White

● = 120V POWER ○ = 120V NEUTRAL ⊥ = FIELD GROUND ≡ = CASE GROUND

Optional Shelf Lighting Fluorescent Fixtures

Optional Shelf Harness and Light Circuits for Two Rows of Shelves



WARNING

All components must have mechanical ground, and the merchandiser must be grounded.

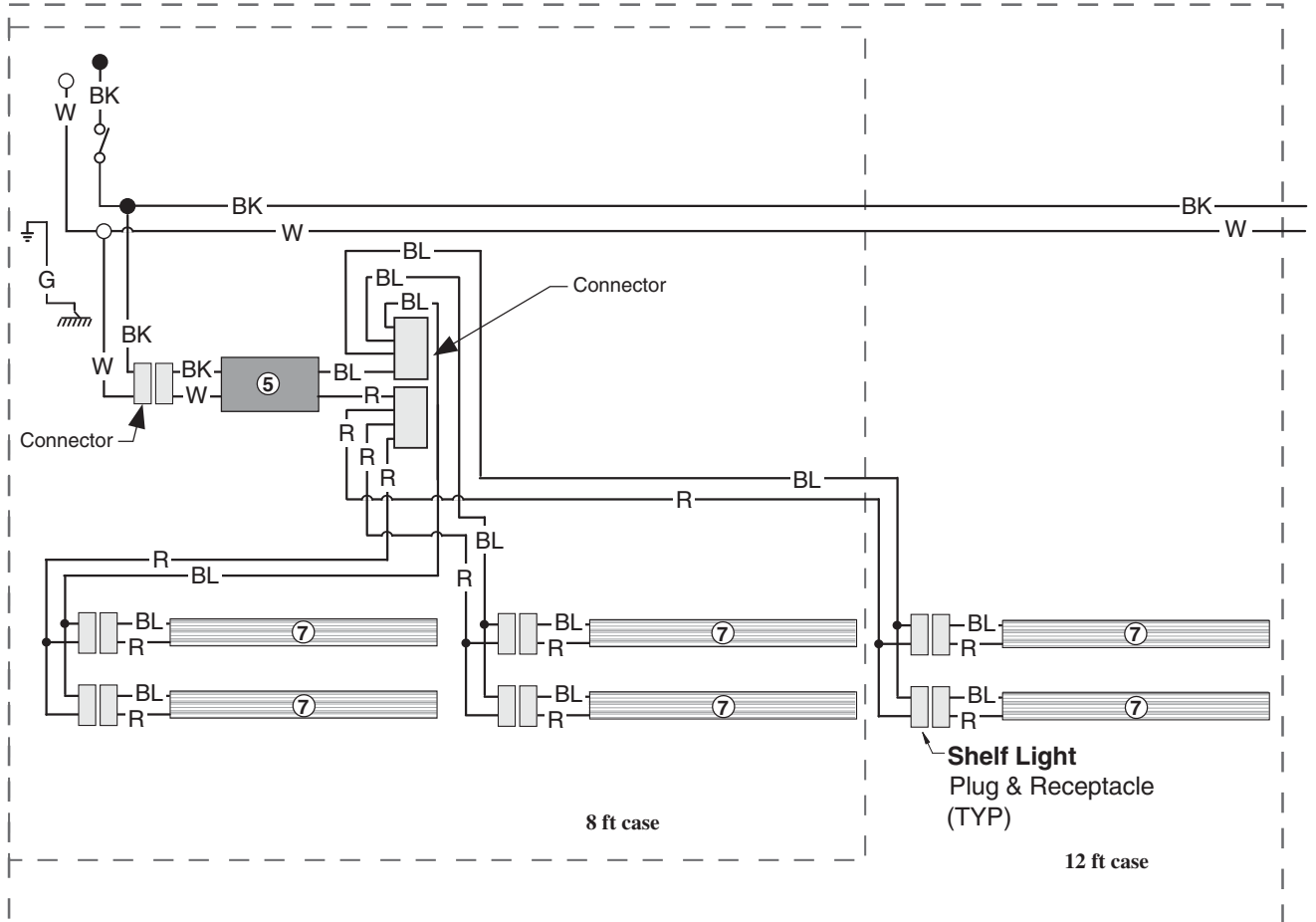
CIRCLED NUMBERS = PARTS LIST ITEM NUMBERS

R = Red Y = Yellow G = Green BL = Blue BK = Black W = White

● = 120V POWER ○ = 120V NEUTRAL ⊥ = FIELD GROUND ≡ = CASE GROUND

Optional Shelf Lighting LED Fixtures

Optional Shelf Harness and LED Light Circuits for Two Rows of Shelves



WARNING

All components must have mechanical ground, and the merchandiser must be grounded.

CIRCLED NUMBERS = PARTS LIST ITEM NUMBERS

R = Red G = Green BL = Blue BK = Black W = White

● = 120V POWER ○ = 120V NEUTRAL ⚡ = FIELD GROUND mm = CASE GROUND