

We reserve the right to change or revise specifications and product design in connection with any feature of our products. Such changes do not entitle the buyer to corresponding changes, improvements, additions or replacements for equipment previously sold or shipped.

Item	Part #	Description	Wiring Item #	Item	Part #	Description	Wiring Item #
FAN ASSEMBLIES				LAMPS AND BALLASTS			
8 Ft & 12 Ft				D.		Ballast, Electronic	(4)
A.	12W Standard Fan Assembly		(1)	0480130		2 lamps (BA.4481676)	
	0047000	Fan Motor, Evaporator (MO.4410103)		0480131		3 lamps (BA.4481654)	
	0463643	Fan Blade (FB.4780648)		0480132		4 lamps (BA.4481677)	
				E.		Fluorescent Lamp	(5)
						<i>Replace with like fixtures</i>	
	12W Energy Efficient Fan Assembly		(1)	LED FIXTURES AND POWER SUPPLY			
	0477655	Fan Motor, Evaporator (MO.4410546)		F.	0501213	Power Supply (EP.4481861)	(6)
	0463643	Fan Blade (FB.4780648)		G.		LED Canopy Fixture	(7)
						<i>Replace with like fixtures — See Page 5.</i>	
THERMOSTATS				H.		LED Shelf Fixture	(8)
B.	0411744	Standard Non-adjustable Defrost Thermostat (CT.0411744)	(2)			<i>Replace with like fixtures — See Page 5.</i>	
C.		Optional Adjustable Refrigeration Thermostat	(3)				

Note: Revision D adds EcoShine LED (page 4) and parts (page 5), and revises canopy wiring diagram (page 6). Other changes marked by bar, underline or circle.



Engineering Plan Views

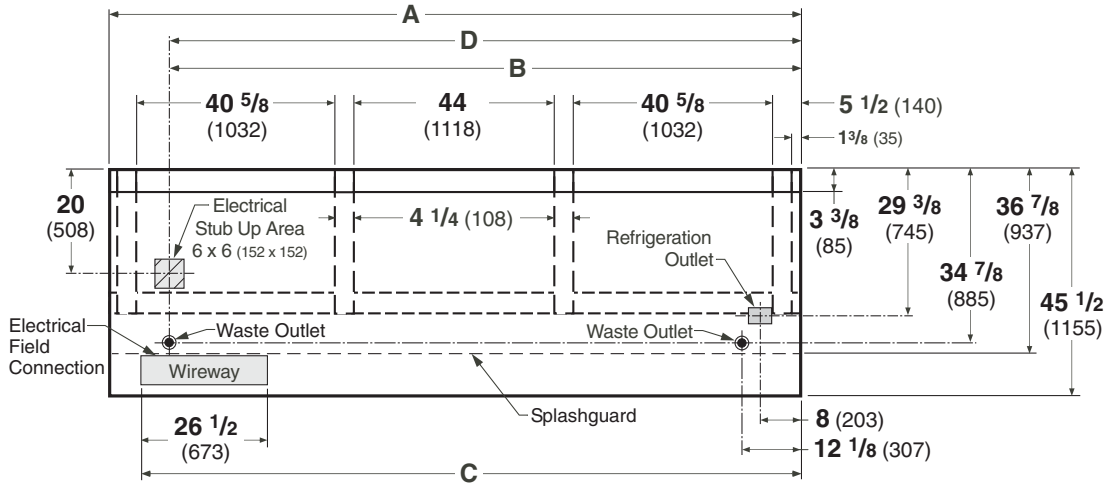
PHYSICAL DATA	
Merchandiser Drip Pipe (in.)	1 1/4
Merchandiser Liquid Line (in.)	3/8
Merchandiser Suction Line (in.)	7/8

Rear Load Dairy & Delicatessen

05-2009

D5X-R

Dimensions shown as in. and (mm).



NOTE: Case-to-Case Electrical Connections are made IN FRONT OF SPLASHGUARD.

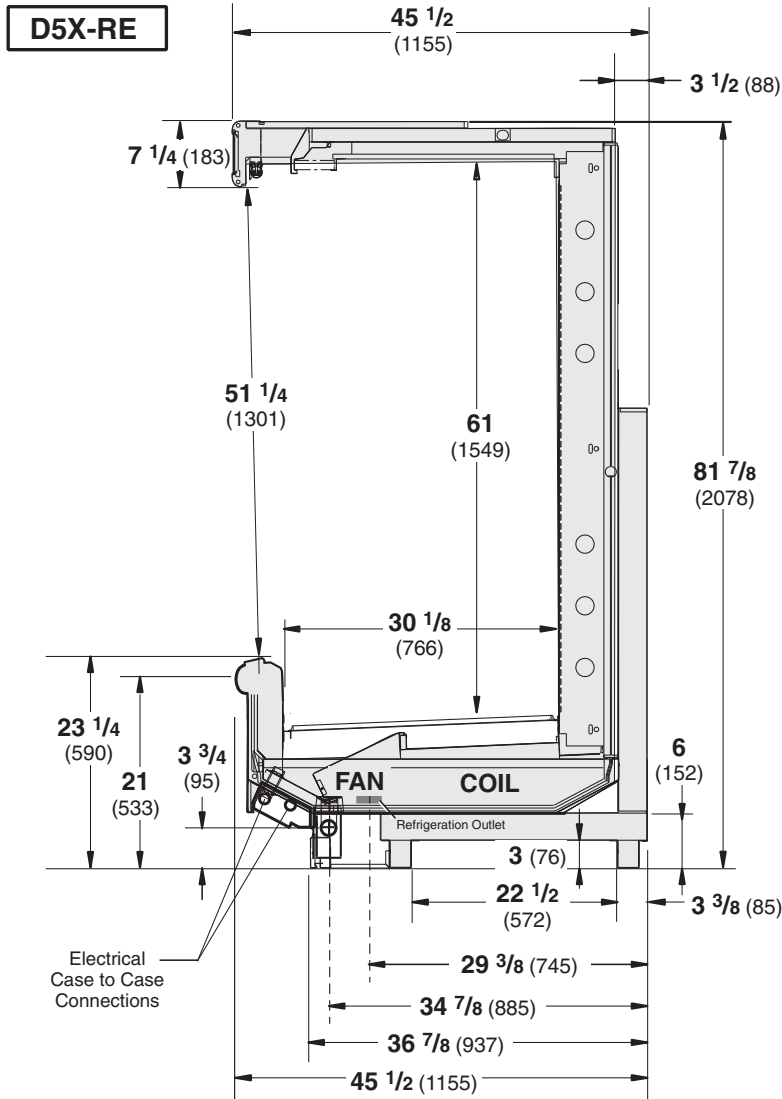
FRONT

The **EXCEL** Rear Load Dairy & Delicatessen model is not offered in 4-ft or 6-ft length.

General	8 ft	12 ft
(A) Case Length (<i>without ends or partitions</i>) (Each end and insulated partition adds 1 1/2 in. (38 mm) to case line up.) Maximum O/S dimension of case back to front (<i>includes bumper</i>) Back of case to front of splashguard Back of case to O/S edge of front skid rail Width of skid rail RH end of case to outside edge of external support Distance between edges of external support and center support Distance between edges of center supports Distance between front skid rail and splashguard	96 3/8 (2448) 45 1/2 (1155) 36 7/8 (937) 29 1/2 (749) 2 3/8 (61) 5 1/2 (140) 40 5/8 (1032) NA 6 (152)	144 1/2 (3670) 45 1/2 (1155) 36 7/8 (937) 29 1/2 (749) 2 3/8 (61) 5 1/2 (140) 40 5/8 (1032) 44 (1118) 6 (152)
Electrical Service (<i>Electrical Field Wiring connection point</i>)		
(B) RH End of case to center of stub up area Back of case to center of stub up area Length of electrical wireway	84 1/4 (2140) 20 (508) 26 1/2 (673)	132 3/8 (3363) 20 (508) 26 1/2 (673)
(C) RH End of case to LH end of wireway	90 1/8 (2289)	138 1/4 (3511)
Waste Outlets (<i>One each end</i>)		
(D) End of case to the center of farthest waste outlet End of case to the center of nearest waste outlet Back O/S of case to center of waste outlets Outside diameter of the drip pipe	84 1/4 (2140) 12 1/8 (307) 34 7/8 (885) 1 1/4 (32)	132 3/8 (3363) 12 1/8 (307) 34 7/8 (885) 1 1/4 (32)
Refrigeration Outlet		
Back of case to center of refrigeration outlet RH end of case to center of refrigeration outlet	29 3/8 (745) 8 (203)	29 3/8 (745) 8 (203)

Multi-deck, 5 Display Levels with Sliding Rear Door

Dimensions shown as in. and (mm).



NSF Certification

This merchandiser model is manufactured to meet ANSI/NSF (National Sanitation Foundation) Standard #7 requirements for construction, materials & cleanability.

Impact *Excel* D5X-RE
Dairy & Delicatessen

REFRIGERATION DATA

Note: This data is based on store temperature and humidity that does not exceed 75°F and 55% R.H.

	D5X-RE
Discharge Air °F	32
Evaporator °F	24
Unit Sizing °F	22

Btu/hr/ft[‡] — Unlit Shelves^{‡‡}

D5X-RE	Parallel	Conventional
UNLIT	1500	1595
PEG*	1620	1715

* Hussmann Peg Shelves (Deli only).

[‡]Optional energy efficient motors reduce the refrigeration load by 55 Btu/hr/ft.
^{‡‡} Add 10 Btu/hr/ft *per shelf row* for LED fixtures.
 Add 20 Btu/hr/ft *per shelf row* for fluorescent lamps.

DEFROST DATA

Frequency Hr	6
Defrost Water (lb/ft/day)	10.50
<small>(± 15% based on case configuration and product loading).</small>	

OFFTIME	D5X-RE
Temp Term °F	48
Failsafe Minutes	35

ELECTRIC OR GAS Not Recommended

Standard Defrost Thermostat

Close on rise: close 48°F — open 33°F

CONVENTIONAL CONTROLS

Low Pressure Backup Control

CI/CO**	D5X-RE
	17°F / 7°F

Indoor Unit Only, Pressure Defrost

Termination** 48°F

**Use a Temperature Pressure Chart to determine PSIG conversions.

Estimated Charge ***	D5X-RE		
8 ft	2.7 lb	43 oz	1.2 kg
12 ft	3.9 lb	62 oz	1.8 kg

***This is an average for all refrigerant types. Actual refrigerant charge may vary by approximately half a pound.

Impact <i>Excel</i> D5X-RE Dairy & Delicatessen
--

Electrical Data

The **EXCEL** Rear Load Dairy & Delicatessen model is not offered in 4-ft or 6-ft length.

	8 ft	12 ft		
Number of Fans—12W	4	6		
	Amperes		Watts	
	8 ft	12 ft	8 ft	12 ft
Evaporator Fan				
120V 60Hz Standard	2.60	3.90	200	300
120V 50Hz Standard	3.00	4.50	228	342
230V 60Hz Export	1.32	1.98	200	300
230V 50Hz Export	1.52	2.28	228	342
120V 60Hz Energy Efficient	1.20	1.80	72	108
230V 60Hz Energy Efficient	0.60	0.90	72	108
Minimum Circuit Ampacity				
120V 60Hz Standard	2.80	4.10		
120V 50Hz Standard	3.20	4.70		
230V 60Hz Export	1.52	2.18		
230V 50Hz Export	1.72	2.48		
120V 60Hz Energy Efficient	1.40	2.00		
230V 60Hz Energy Efficient	0.80	1.10		
Maximum Over Current Protection 120V	20	20		
Maximum Over Current Protection 230V	15	15		
Standard Lighting (T-8 fluorescent)				
1 Row Canopy	0.51	0.77	59	85
Optional Lighting (T-8 fluorescent)				
Additional 1 Row Canopy	0.51	0.77	59	85
Additional 2 Row Canopy	1.02	1.54	118	170
Additional 3 Row Canopy	1.53	2.31	177	255
1 Row Rail Light	0.51	0.77	59	85
4 Rows of Shelves	2.04	3.08	236	340
EcoShine Multi-deck — Normal CRI—120VAC, 50/60Hz				
2 Row Canopy (Front & Rear)	0.55	0.82	66	98
4 Rows of Shelves	0.78	1.17	93	140
EcoShine Multi-deck — High CRI —120VAC, 50/60Hz				
2 Row Canopy (Front & Rear)	0.63	0.93	75	112
4 Rows of Shelves	0.93	1.40	112	168
Optional Always*Bright LED Canopy Lighting				
2 Row Canopy	0.71	1.08	85	130
4 Rows of Shelves	0.93	1.40	112	168

120V Lighting Circuit Total = Standard Lighting + Total Optional Lighting + Optional Shelf Lighting

230V Lighting Circuit Total = Multiply 120V Lighting Circuit Total by 0.52

Product Data

<i>Recommended Usable Cube</i> ¹ (Cu Ft/Ft)	7.48 ft ³ /ft (0.70 m ³ /m)
<i>AHRI Total Display Area</i> ² (Sq Ft/Ft)	4.58 ft ² /ft (1.40 m ² /m)
<i>Shelf Area</i> ³ (Sq Ft/Ft)	7.87 ft ² /ft (2.40 m ² /m)

¹ AHRI Refrigerated Volume less shelving and other unusable space: Refrigerated Volume/Unit of Length, ft³/ft [m³/m]
² Computed using AHRI 1200 standard methodology: Total Display Area, ft² [m²]/Unit of Length, ft [m]
³ Shelf surface area is composed of bottom deck plus standard shelf complement, as shown in the Hussmann *Product Reference Guide*. The standard shelf complement for this model is (4) rows of 16-inch shelves.

ESTIMATED SHIPPING WEIGHT ⁴			
Case			Solid End (each)
	8 ft	12 ft	
lb (kg)	1200 (544)	1400 (635)	100 (45)

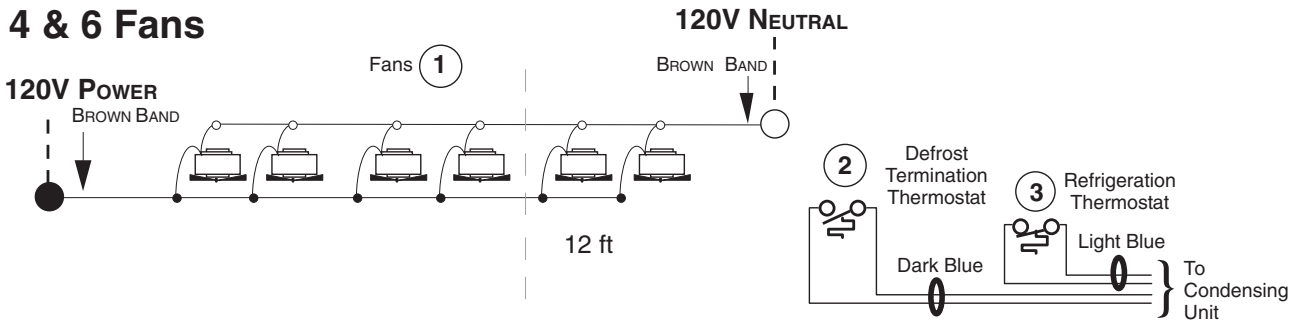
⁴ Actual weights will vary according to optional kits included.

PARTS LIST (Continued from Page 1)					
Item	Part #	Description	Item	Part #	Description
LED FIXTURES AND POWER SUPPLY					
F.	0501213	Power Supply (EP.4481861) (6)	H.	EcoShine LED Shelf Fixture (8)	
G.	EcoShine LED Canopy Fixture (7)		4441590	48-inch	2900K HCRI
	4441720	Front 48-inch	4441591	48-inch	3500K HCRI
	4441722	Front 48-inch	4441592	48-inch	3500K
	4441724	Front 48-inch	4441593	48-inch	4100K
	4441726	Front 48-inch			
	4441721	Rear 48-inch			
	4441723	Rear 48-inch			
	4441725	Rear 48-inch			
	4441727	Rear 48-inch			

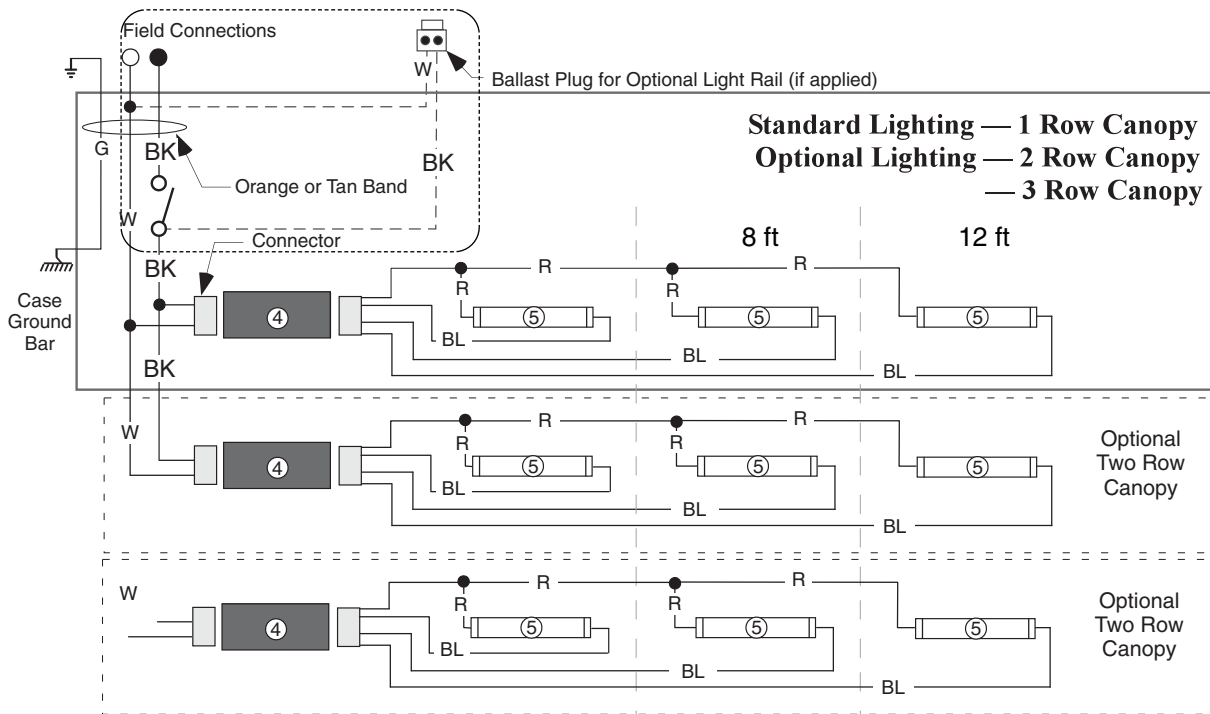
Note: Always*Bright lamps will be replaced with the latest generation of EcoShine lamps.

Fan Wiring Offtime Defrost

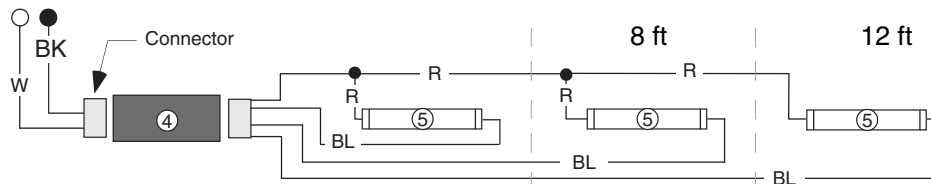
4 & 6 Fans



Canopy Light Circuits — Fluorescent Fixtures



Optional Lighting — 1 Row Rail



WARNING

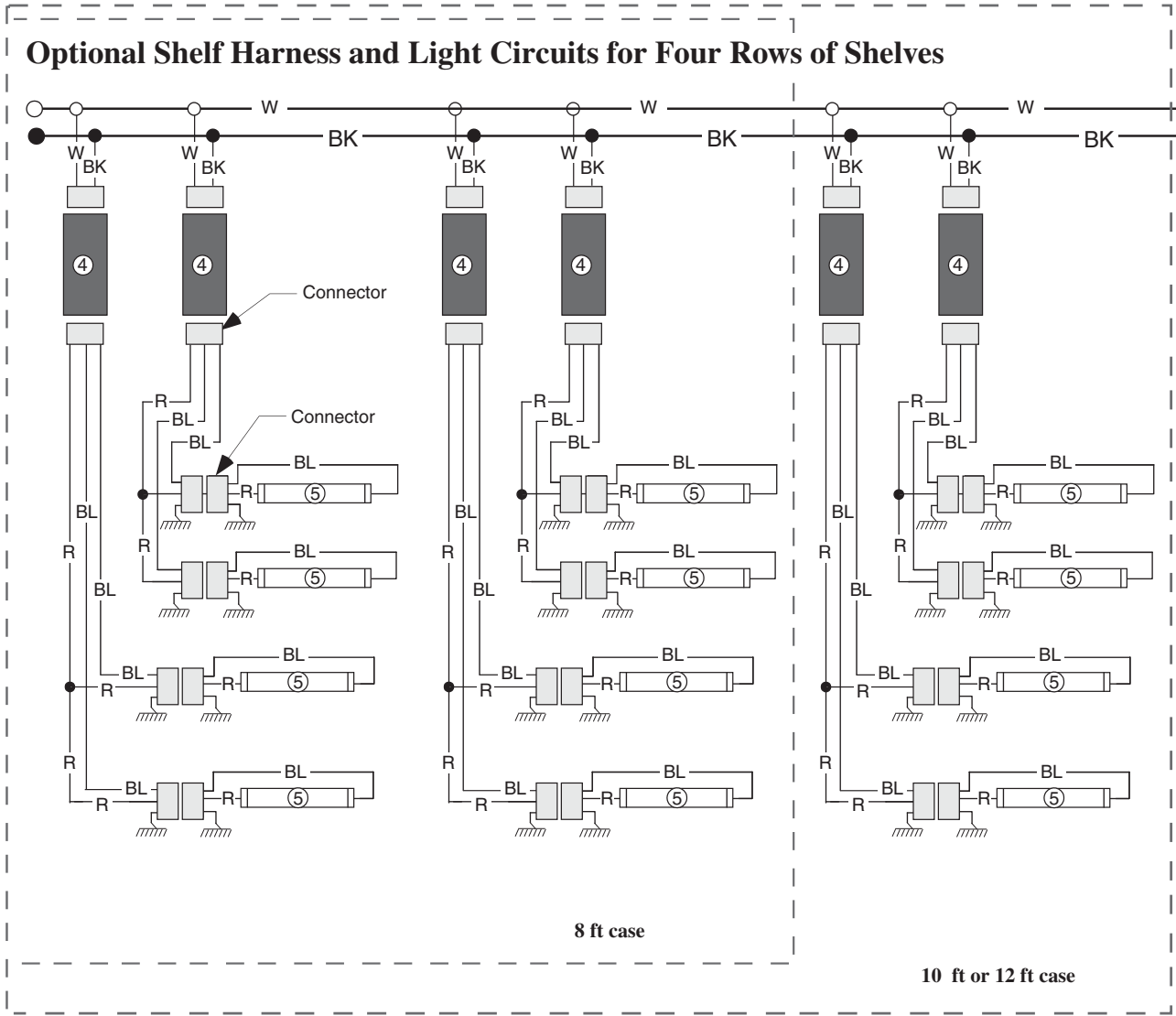
All components must have mechanical ground, and the merchandiser must be grounded.

CIRCLED NUMBERS = PARTS LIST ITEM NUMBERS

R = Red Y = Yellow G = Green BL = Blue BK = Black W = White

● = 120V POWER ○ = 120V NEUTRAL ⊥ = FIELD GROUND $\overline{\text{mm}}$ = CASE GROUND

Optional Shelf Lighting Fluorescent Fixtures



WARNING

All components must have mechanical ground, and the merchandiser must be grounded.

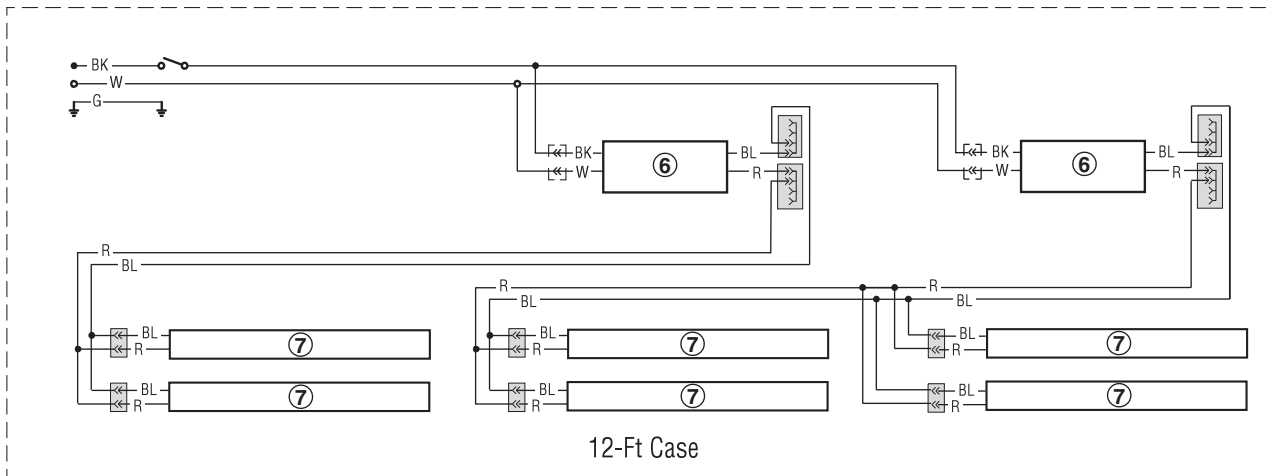
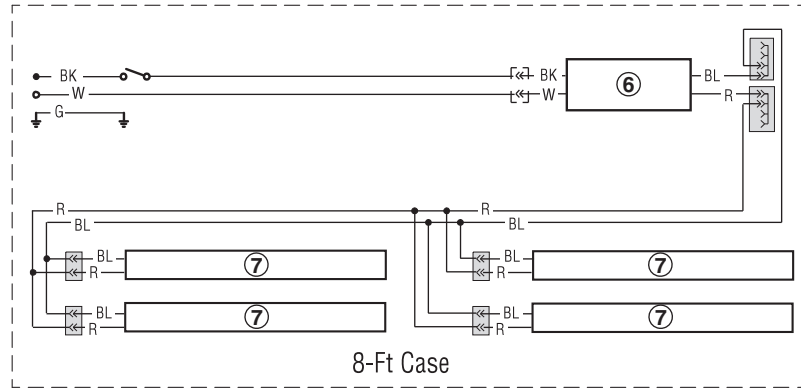
CIRCLED NUMBERS = PARTS LIST ITEM NUMBERS

R = Red Y = Yellow G = Green BL = Blue BK = Black W = White

● = 120V POWER ○ = 120V NEUTRAL ⏚ = FIELD GROUND ⏚ = CASE GROUND

Optional Canopy Lighting LED Fixtures

Standard LED Canopy Lighting — 2 Row Canopy



WARNING

All components must have mechanical ground, and the merchandiser must be grounded.

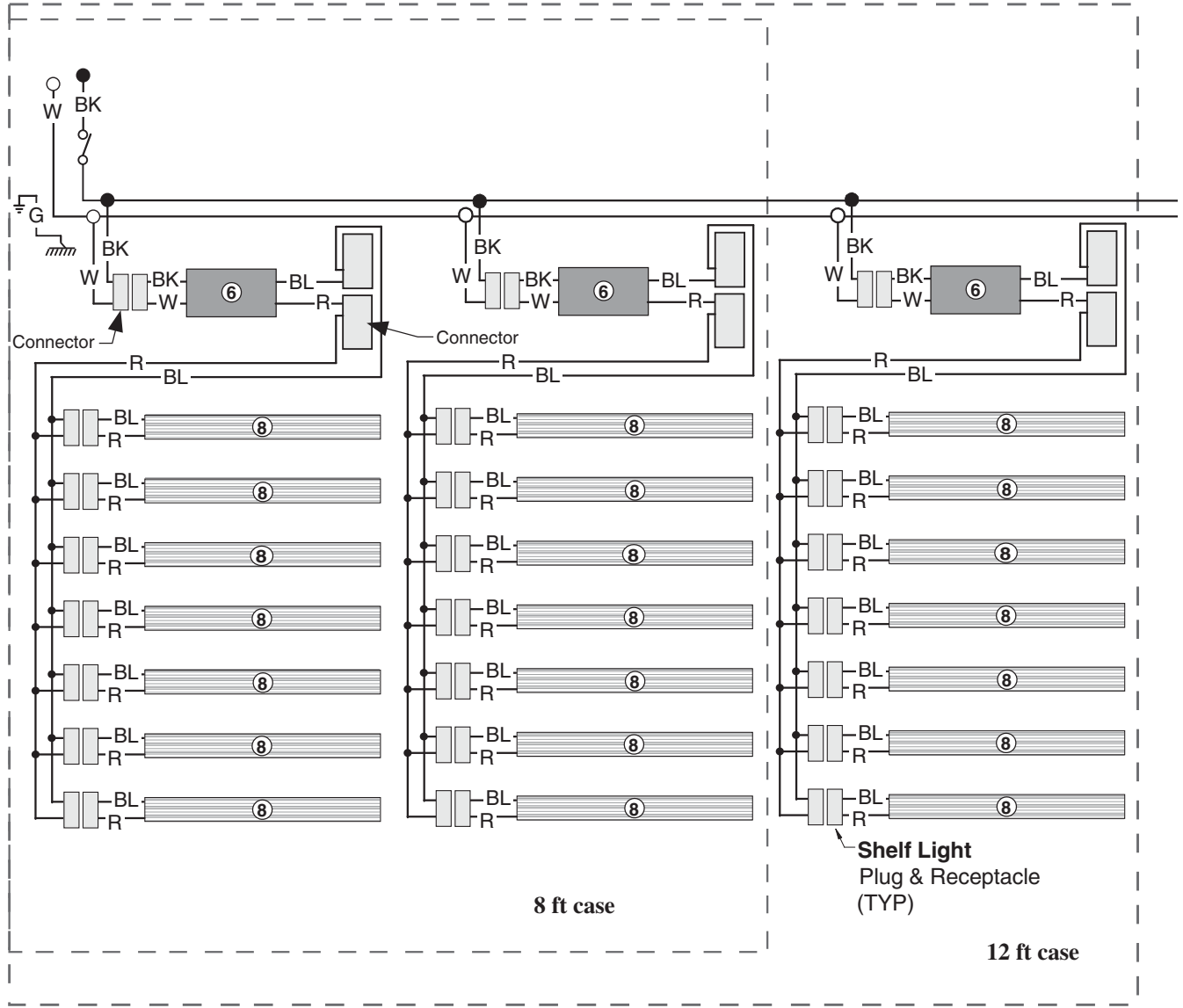
CIRCLED NUMBERS = PARTS LIST ITEM NUMBERS

R = Red Y = Yellow G = Green BL = Blue BK = Black W = White

● = 120V POWER ○ = 120V NEUTRAL ⚡ = FIELD GROUND $\overline{\text{mm}}$ = CASE GROUND

Optional Shelf Lighting LED Fixtures

Optional Shelf Harness and LED Light Circuits for 3, 4, 5, 6 & 7 Rows of Shelves



WARNING

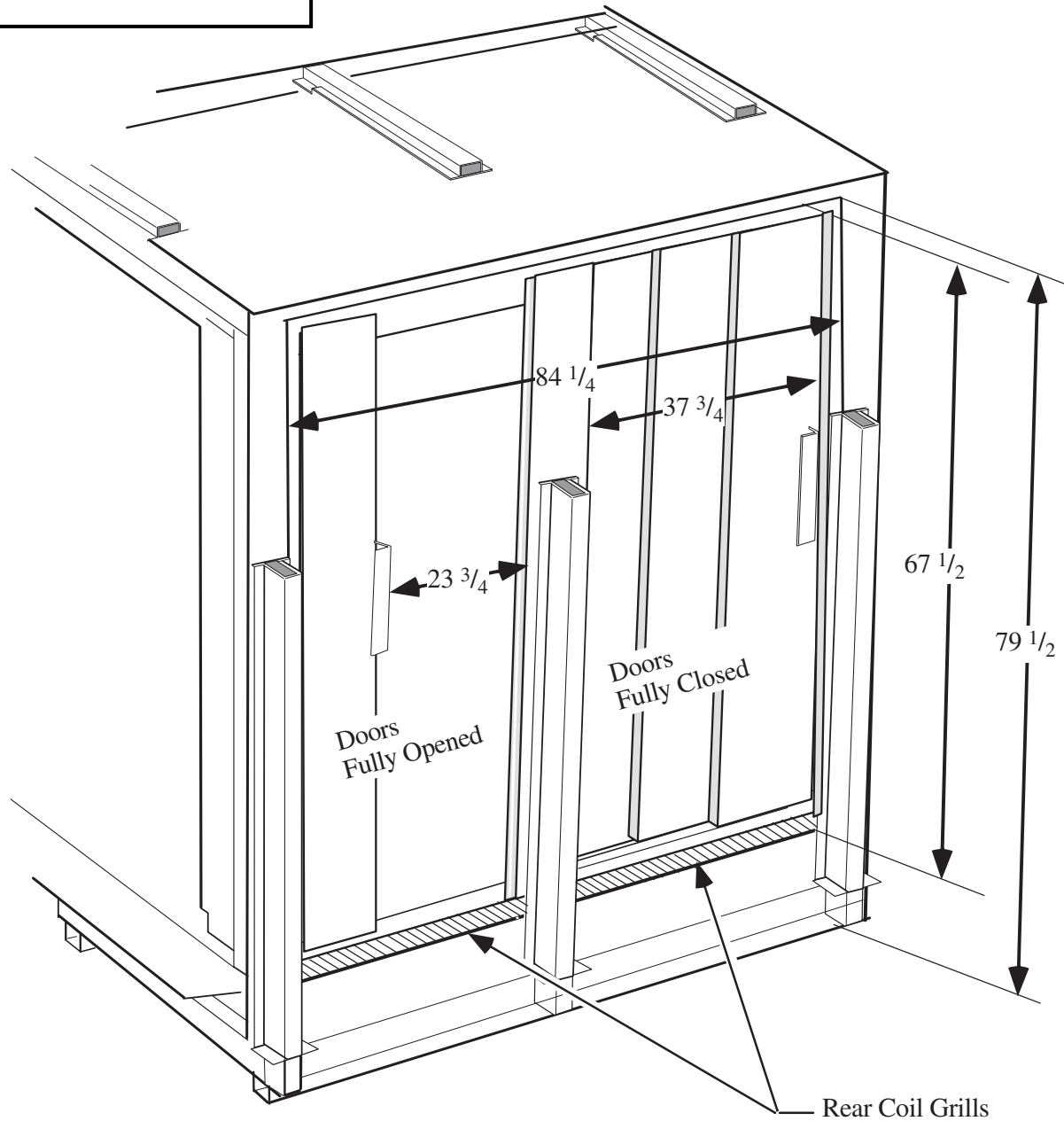
All components must have mechanical ground, and the merchandiser must be grounded.

CIRCLED NUMBERS = PARTS LIST ITEM NUMBERS

R = Red G = Green BL = Blue BK = Black W = White

● = 120V POWER ○ = 120V NEUTRAL ⊥ = FIELD GROUND $\overline{\overline{\overline{m}}}$ = CASE GROUND

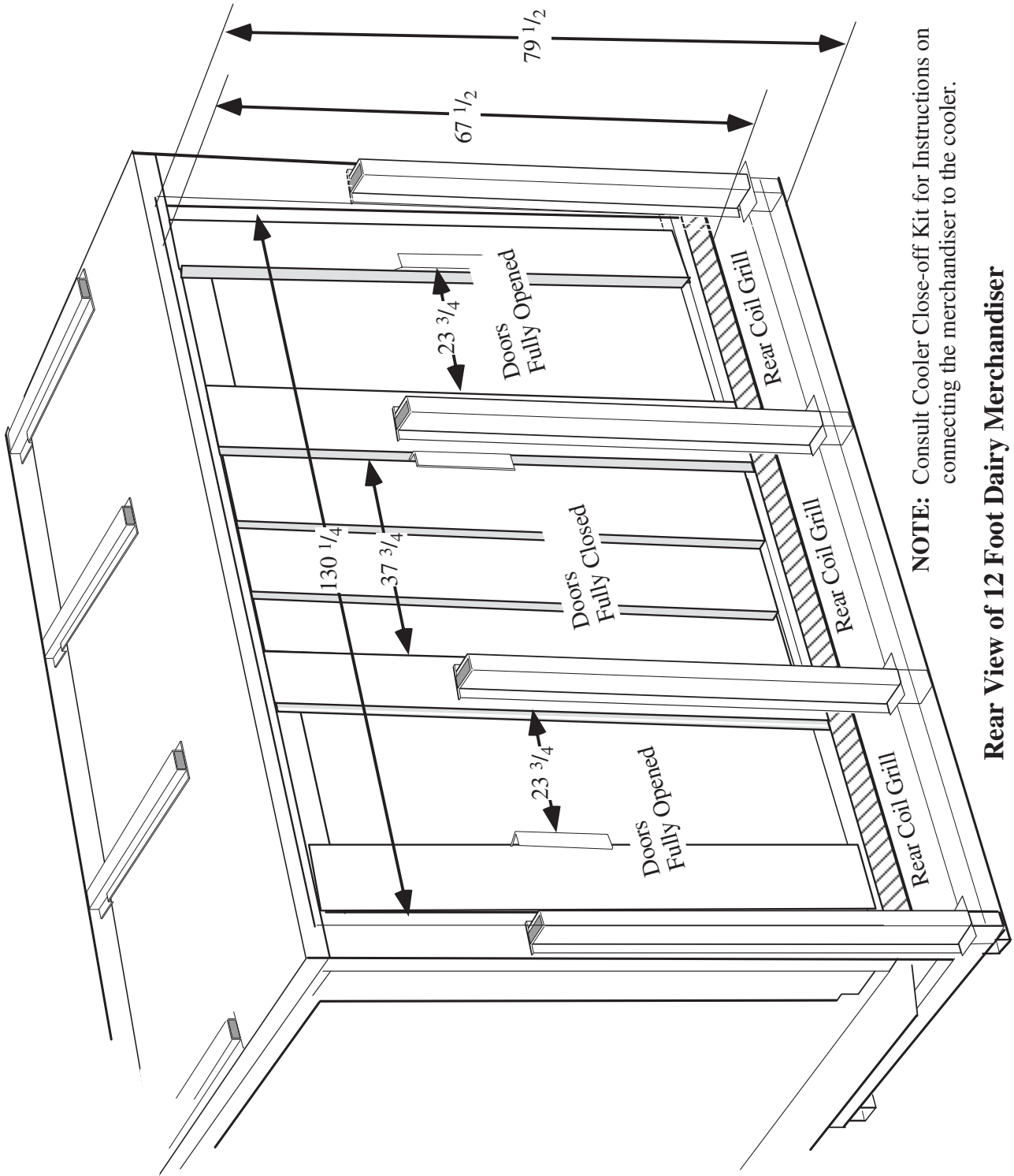
Impact Excel D5X-RE
Dairy & Delicatessen



Rear View of 8 Foot Dairy Merchandiser

Double-walled telescoping doors slide both left and right.

NOTE: Consult Cooler Close-off Kit for instructions on connecting the merchandiser to the cooler.



NOTE: Consult Cooler Close-off Kit for Instructions on connecting the merchandiser to the cooler.

Rear View of 12 Foot Dairy Merchandiser
 Double-walled telescoping doors slide both left and right.