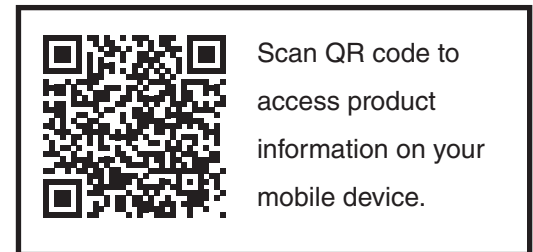
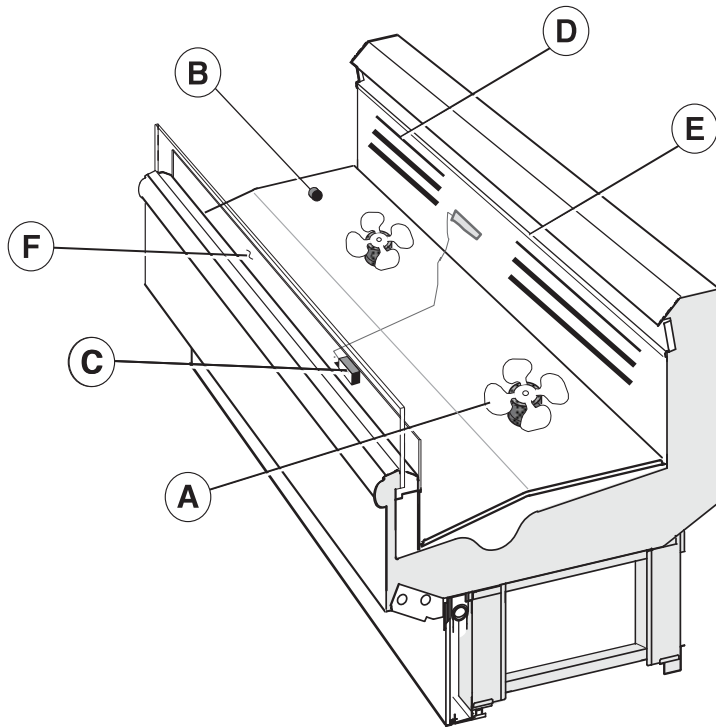


DOE 2017
Energy Efficiency
Compliant



We reserve the right to change or revise specifications and product design in connection with any feature of our products. Such changes do not entitle the buyer to corresponding changes, improvements, additions or replacements for equipment previously sold or shipped.

Item	Part #	Description	Wiring Item #	Item	Part #	Description	Wiring Item #
FAN ASSEMBLIES AND THERMOSTATS				HEATERS			
A.	9W Standard Fan Assembly 0440420 0376413	Fan Motor, Evaporator (MO.4410302) Fan Blade (FB.0376413)	(1)	D.	0483959	8 ft Modular Electric Defrost Heaters, 208V, 685W (HE.4850633)	(5)
B.		Optional Adjustable Refrigeration Thermostat	(2)	E.	0109417	Rear Rail Heaters 8 ft case (HE.4850422)	(6)
C.	0398557	Standard Non-adjustable Defrost Thermostat (CT.4440611)	(3)	F.	0483952	Front Glass Anti-Sweat Heater(7) (GL.4978826)	
				LAMPS AND BALLASTS			
				None			

Note: Revision J: Updated DOE. Other changes marked with by bar, underline or circle.

Data sheet-Excel M1XLDGE

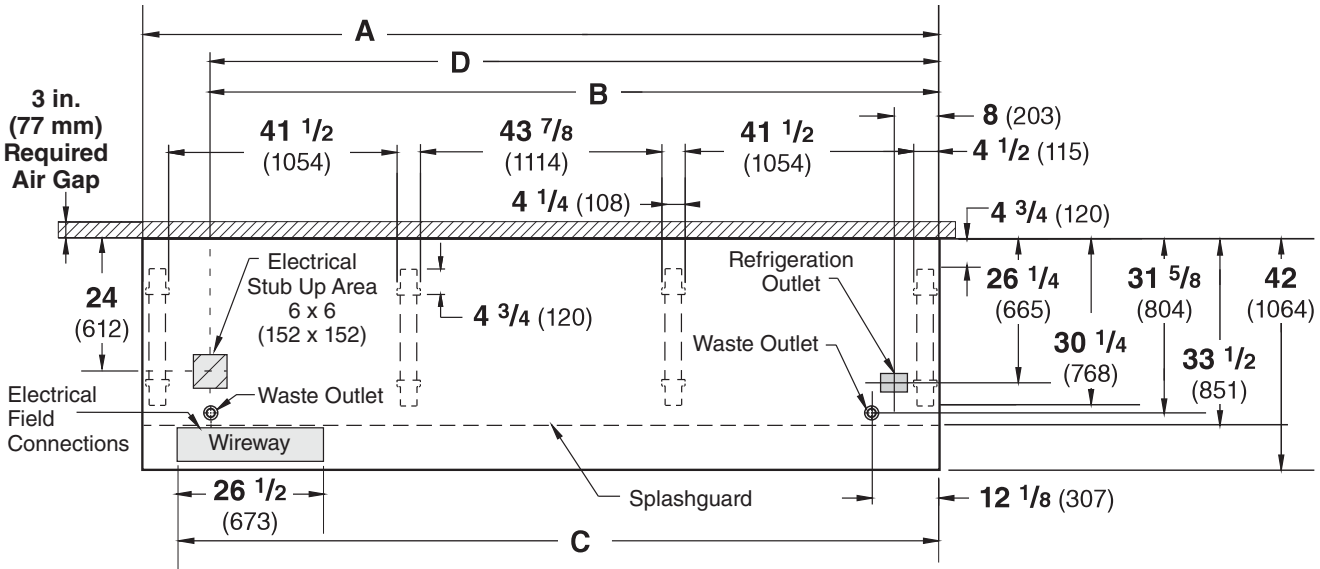
Engineering Plan Views

PHYSICAL DATA	
Merchandiser Drip Pipe (in.)	1 1/4
Merchandiser Liquid Line (in.)	3/8
Merchandiser Suction Line (in.)	5/8

Frozen Meat, and Delicatessen

09-2005

Dimensions shown as in. and (mm).



NOTE: Case-to-Case Electrical Connections are made IN FRONT OF SPLASHGUARD.

FRONT

	8 ft
General	
(A) Case Length (<i>without ends or partitions</i>) (Each end and insulated partition adds 1 1/2 in. (38 mm) to case line up.) Maximum O/S dimension of case back to front (includes bumper)	96 3/8 (2448)
Back of case to front of splashguard	42 (1064)
Back of case to O/S edge of front leg	33 1/2 (851)
Distance between edges of external legs and center legs	30 1/4 (768)
Distance between edges of center legs	41 1/2 (1054)
Distance between front legs and splashguard	NA
	2 3/4 (70)
Electrical Service (<i>Electrical Field Wiring connection point</i>)	
(B) RH End of case to center of stub up area	84 1/4 (2140)
Back of case to center of stub up area	24 (612)
Length of electrical wireway	26 1/2 (673)
(C) RH End of case to LH end of wireway	90 1/8 (2289)
Waste Outlets (<i>One each end</i>)	
(D) RH End of case to the center of LH waste outlet	84 1/4 (2140)
RH End of case to the center of RH waste outlet	12 1/8 (307)
Back O/S of case to center of waste outlets	31 5/8 (804)
Schedule 40 PVC drip pipe	1 1/4 (32)
Refrigeration Outlet	
Back of case to center of refrigeration outlet	26 1/4 (665)
RH end of case to center of refrigeration outlet	8 (203)

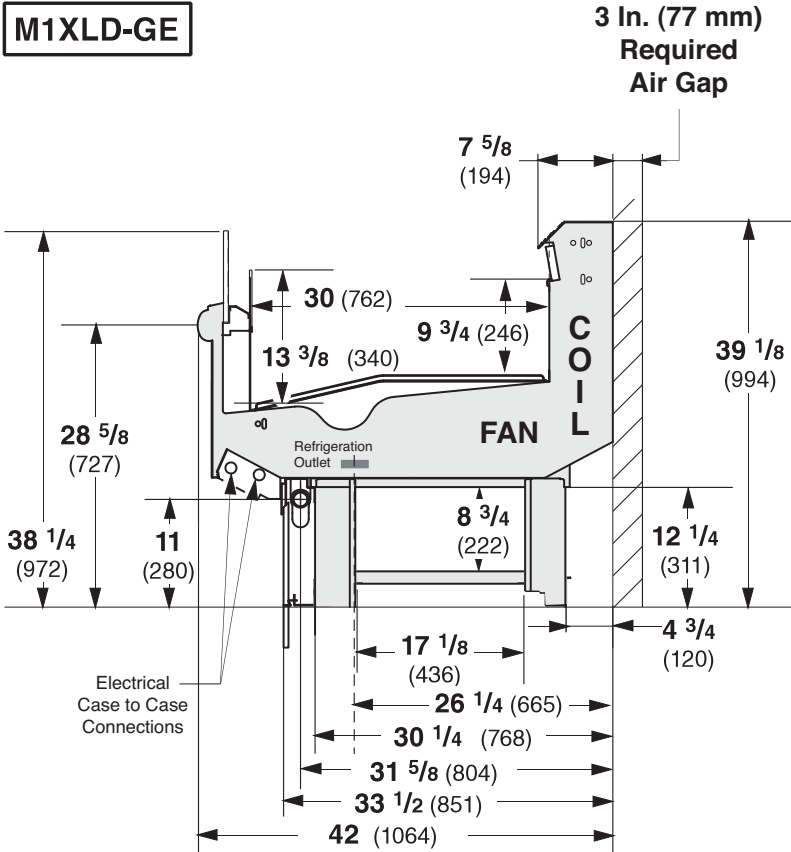
Single Deck, 1 Display Level, Deep, Glass Front



Hussmann models configured for sale/use in the United States meet or surpass the requirements of the DOE 2017 energy efficiency standards.

Excel M1XLD-GE
Frozen Meat and Delicatessen

Dimensions shown as inches and (mm).



M1XLD-GE

REFRIGERATION DATA

Note: This data is based on store temperature and humidity that does not exceed 75°F and 55% R.H.

	M1XLD-GE§
Discharge Air (°F)	-10
Evaporator (°F)	-20
Unit Sizing (°F)	-23

§ Average evaporator temperature shown. Use dew point for high glide refrigerants for unit sizing. Care should be taken to use the dew point in PT tables for measuring and adjusting superheat. Adjust evaporator pressure as needed to maintain discharge air temperature shown.

Btu/hr/ft [‡]	M1XLD-GE
Parallel	380
Conventional	390

‡ Energy efficient fan motors are not available for this low temperature model.

DEFROST DATA

	M1XLD-GE
Frequency (hr)	8

ELECTRIC

Temp Term (°F)	48°F
Failsafe (minutes)	40

Standard Defrost Thermostat

Close on rise: close 48°F — open 33°F

CONVENTIONAL CONTROLS

Low Pressure Backup Control

	M1XLD-GE
C/CO*	-27°F / -37°F

Indoor Unit Only, Pressure Defrost

Termination* Not Recommended

*Use a Temperature Pressure Chart to determine PSIG conversions.

Estimated Charge**	M1XLD-GE			
8 ft	1.7 lb	27 oz	0.8 kg	
12 ft	2.3 lb	37 oz	1.0 kg	

**This is an average for all refrigerant types. Actual refrigerant charge may vary by approximately half a pound (8 oz/0.2 kg).

NSF Certification

This merchandiser model is manufactured to meet NSF/ANSI (National Sanitation Foundation) Standard #7 requirements for construction, materials & cleanability.

<p>Excel M1XLD-GE Frozen Meat and Delicatessen</p>

Electrical Data

			8 ft	
Number of Fans—9W			2	
			Amperes	Watts
			8 ft	8 ft
Evaporator Fan				
120V	60Hz	Standard	0.48	50
120V	50Hz	Standard	0.54	56
Minimum Circuit Ampacity				
120V	60Hz	Standard	0.68	
120V	50Hz	Standard	0.74	
Maximum Over Current Protection 120V			20	
Maximum Over Current Protection 230V			15	
Nosing Anti-sweat Heaters				
120V	50Hz/60Hz	Standard	0.80	96
Return Glass Anti-sweat Heaters				
120V	50Hz/60Hz	Standard	0.52	46
208V Electric Defrost			6.6	1370
120V KoolGas Defrost			NA	
Standard Lighting				
None				
Optional Lighting				
None				
Optional Shelf Lighting				
None				

Product Data

Recommended Usable Cube ¹ (Cu Ft/Ft)	1.93 ft ³ /ft (0.18 m ³ /m)
AHRI Total Display Area ² (Sq Ft/Ft)	2.56 ft ² /ft (0.78 m ² /m)
Shelf Area ³ (Sq Ft/Ft)	2.51 ft ² /ft (0.76 m ² /m)

¹ AHRI Refrigerated Volume less shelving and other unusable space: Refrigerated Volume/Unit of Length, ft³/ft [m³/m]

² Computed using AHRI 1200 standard methodology: Total Display Area, ft² [m²]/Unit of Length, ft [m]

³ Shelf surface area is composed of bottom deck plus standard shelf complement, as shown in the Hussmann **Product Reference Guide**. The standard shelf complement for this model is NONE.

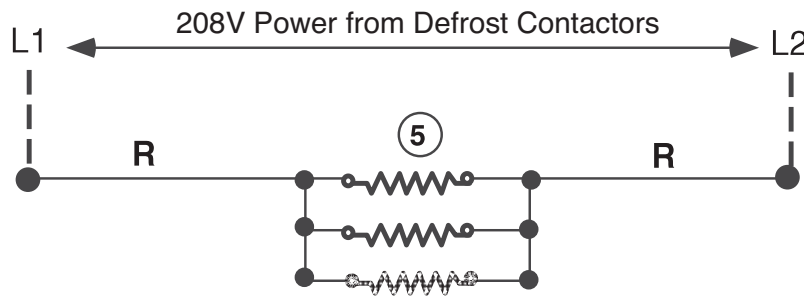
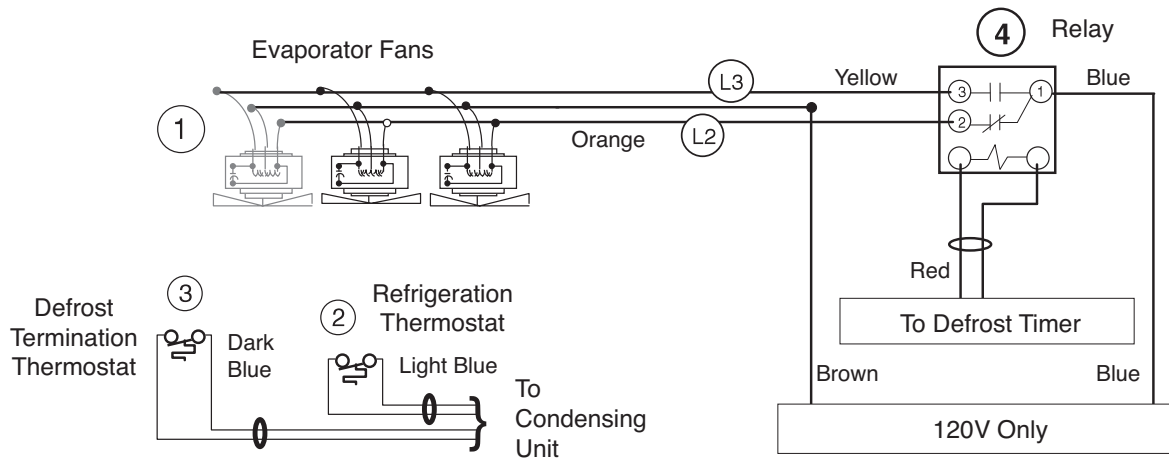
ESTIMATED SHIPPING WEIGHT ⁴

Case	8 ft	Solid End
		(each)
lb (kg)	800 (363)	50 (23)

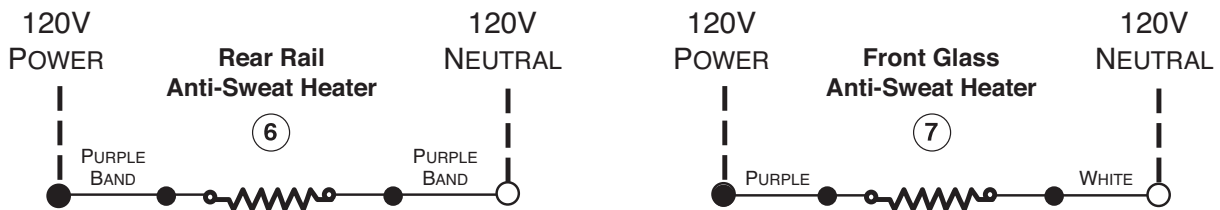
⁴ Actual weights will vary according to optional kits included.

Defrost Wiring

Standard Electric Defrost



Modular Electric Defrost Heaters
(Mounted above Evaporators)



WARNING

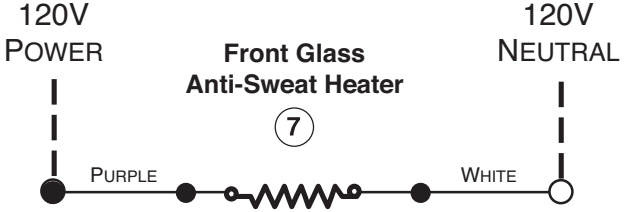
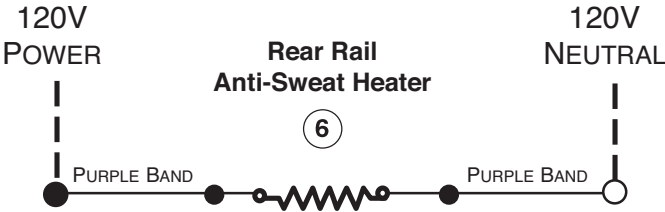
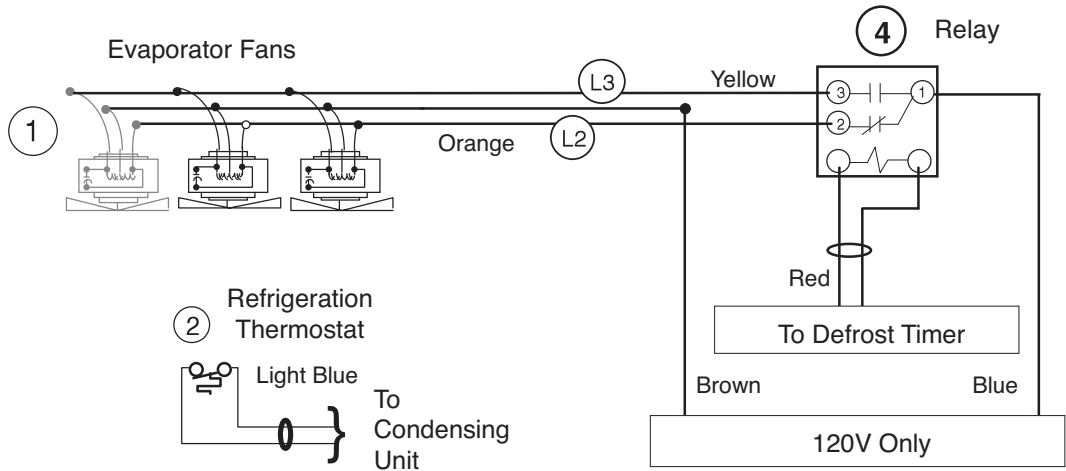
All components must have mechanical ground, and the merchandiser must be grounded.

Circled Numbers = Parts List Item Numbers

Grayed components in 12 foot models only.

R = Red

Defrost Wiring Optional Gas Defrost



WARNING
 All components must have mechanical ground, and the merchandiser must be grounded.
 Circled Numbers = Parts List Item Numbers
 Grayed components in 12 foot models only.
 R = Red