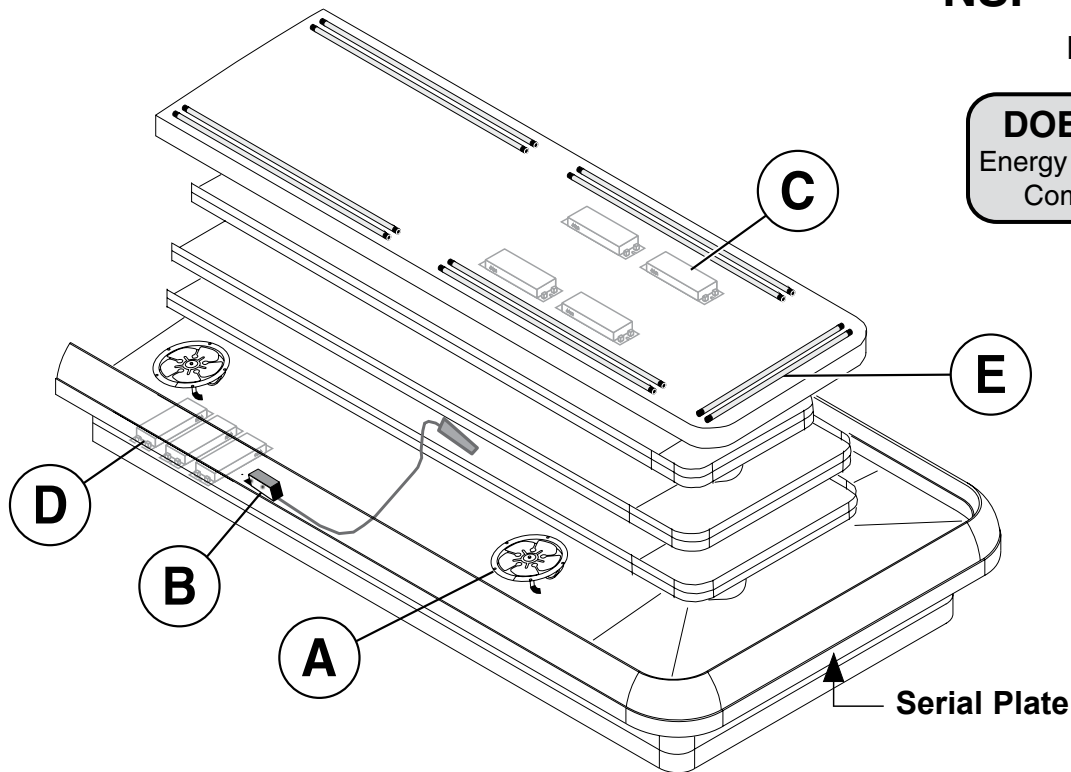


DOE 2012
Energy Efficiency
Compliant



We reserve the right to change or revise specifications and product design in connection with any feature of our products. Such changes do not entitle the buyer to corresponding changes, improvements, additions or replacements for equipment previously sold or shipped.

Item	Part #	Description	Wiring Item #	Item	Part #	Description	Wiring Item #
FAN ASSEMBLIES AND THERMOSTATS				LAMPS AND BALLASTS			
10 Ft				C.	0459491	Ballast, Electronic Canopy (BA.4481566)	(3)
A.	12W Standard Energy Efficient Fan Assembly (1)			D.	Ballast, Electronic		(4)
	0477655	Fan Motor, Evaporator (MO.4410546)		0466235	Shelf 3 lamps (BA.4480901)		
	0142780	Fan Blade (FB.0142780) embossing toward motor		E.	Fluorescent Lamp		(5)
B.	Optional Adjustable Refrigeration Thermostat(2)				<i>Replace with like fixtures</i>		
	0448347	(CT.4481631)					

Datasheet-Speciality RI4E

Note: Revision E removes 8, 12 and 14 foot data. Other changes marked by bar, underline or circle.

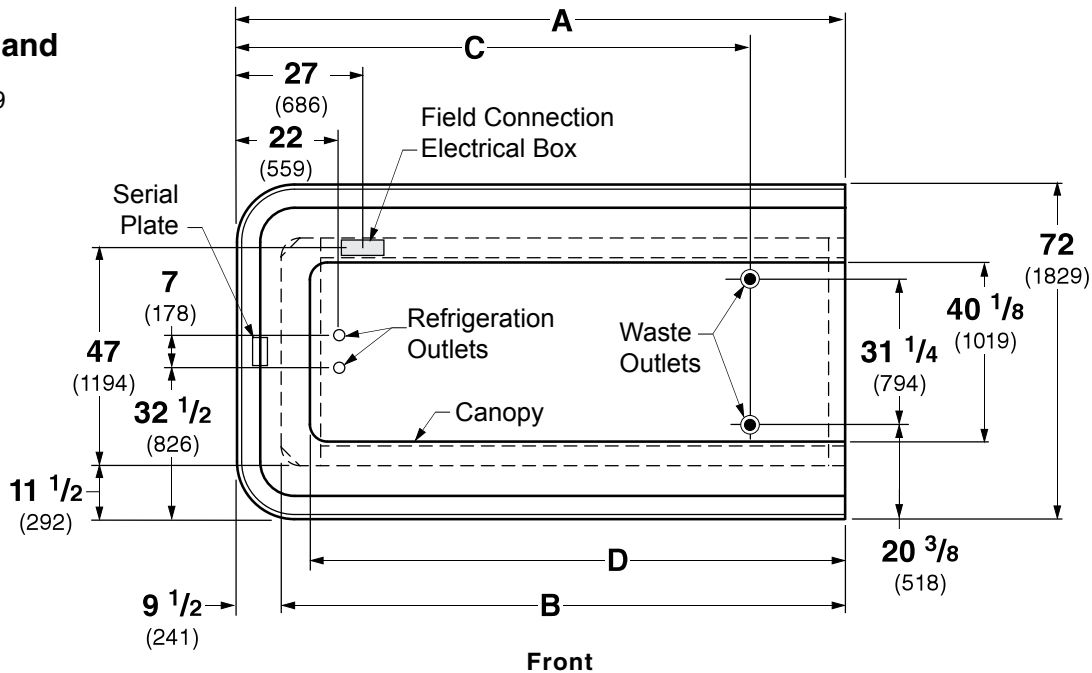
Engineering Plan Views




PHYSICAL DATA	
Merchandiser Drip Pipe (in.)	1 1/2
Merchandiser Liquid Line (in.)	3/8
Merchandiser Suction Line (in.)	5/8

Dimensions shown as inches and (mm).

RI4E Island

08-2009



		10 ft
General		
(A)	Overall Case Length	120 (3048)
(B)	Base Length	110 1/2 (2807)
	Maximum O/S dimension of case back to front (<i>includes bumper</i>)	72 (1829)
	Front of splashguard to O/S edge of front base rail	1 5/8 (41)
	Front of case to O/S edge of front base rail	13 1/8 (333)
	Back of case to O/S edge of front base rail	58 7/8 (1495)
	Width of base rail	1 7/8 (48)
(D)	Length of Canopy	104 1/4 (2648)
	Width of Canopy	40 1/8 (1019)
Electrical Service  (<i>Electrical Field Wiring connection point</i>)		
	Center of Electrical service to O/S edge of front base rail	47 (1194)
	Left end of case to center of field connection box	27 (686)
	Right end of case to center of field connection box	93 (2362)
Waste Outlets 		
(C)	LH End of case to the center of waste outlet	96 (2438)
	Center of front waste outlet to outside of front base rail	8 7/8 (225)
	Center of back waste outlet to outside of front base rail	40 1/8 (1019)
	Schedule 40 PVC drip pipe	1 1/2 (38)
Refrigeration Outlet 		
	LH end of case to center of refrigeration outlet	22 (559)
	RH end of case to center of refrigeration outlet	98 (2489)

Multi-deck Island End, 4 Display Levels

DOE 2012
Energy Efficiency
Compliant

Hussmann refrigerated merchandisers configured for sale for use in the United States meet or surpass the requirements of the DOE 2012 energy efficiency standards.

RI4E
Delicatessen

REFRIGERATION DATA

Note: This data is based on store temperature and humidity that does not exceed 75°F and 55% R.H.

	RI4E
Discharge Air (°F)	27
Evaporator (°F)	20
Unit Sizing (°F)	18
Btu/hr/ft	
LIT & UNLIT SHELVES	RI4E
Parallel	2183
Conventional	2391

DEFROST DATA

	RI4E
Frequency (hr)	4
Defrost Water (lb/ft/day)	12
<small>(± 15% based on case configuration and product loading).</small>	

OFFTIME	RI4E
Time Terminated (minutes)	20

ELECTRIC OR GAS Not Recommended

CONVENTIONAL CONTROLS

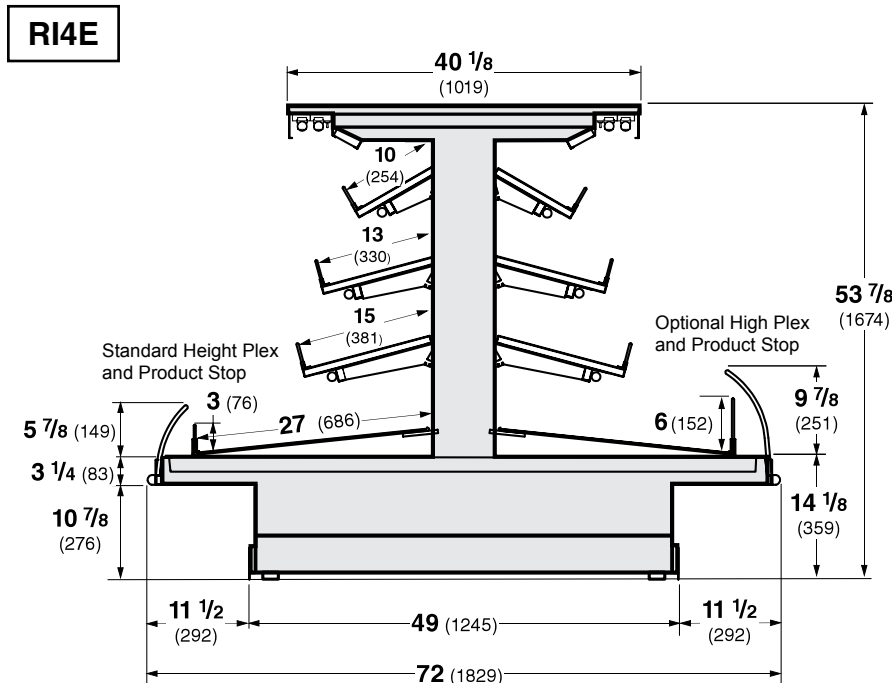
Low Pressure Backup Control	RI4E
CI/CO*	14°F / 4°F
Indoor Unit Only, Pressure Defrost Termination*	48°F

*Use a Temperature Pressure Chart to determine PSIG conversions.

Estimated Charge **	RI4E
10 ft	2.2 lb 35 oz 1.0 kg

**This is an average for all refrigerant types. Actual refrigerant charge may vary by approximately half a pound (8 oz/0.2 kg).

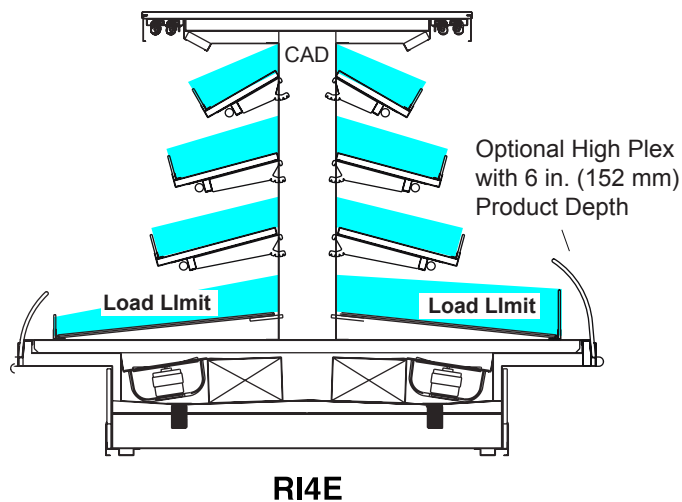
Dimensions shown as inches and (mm).



NSF Certification

This merchandiser model is manufactured to meet NSF/ANSI (National Sanitation Foundation) Standard #7 requirements for construction, materials & cleanability.

Load Limit Profile



Cases may not function properly if they are loaded above load limits.

Air flow between the shelves, from the Center Air Discharge (CAD) to the return, must be maintained at all times for optimum operating efficiency and to prolong product shelf life. At no time should merchandisers be stocked beyond the load limits indicated.

RI4E Delicatessen

Electrical Data

		10 ft	
Number of Fans – 12W		10	
		Amperes	Watts
		10 ft	10 ft
Evaporator Fan			
120V	50/60Hz	Standard Energy Efficient	3.00
230V	50/60Hz	Standard Energy Efficient	NA
230V	60Hz	Export	NA
230V	50Hz	Export	NA
Minimum Circuit Ampacity (MCA)			
120V	50/60Hz	Standard Energy Efficient	3.20
230V	50/60Hz	Standard Energy Efficient	NA
230V	60Hz	Export	NA
230V	50Hz	Export	NA
Maximum Over Current Protection 120V			20
Maximum Over Current Protection 230V			NA

ONLY LIGHTING CONFIGURATIONS THAT ARE COMPLIANT WITH THE U.S. DEPT. OF ENERGY (DOE) 2012 REGULATION ARE AVAILABLE FOR SALE FOR USE IN THE U.S.A.

Standard Lighting			
2 Rows of Canopy		2.22	266
Optional Lighting			
1 Row of Ledge		1.67	200
Shelf Lighting			
1 Row of Shelves		1.08	129
2 Rows of Shelves		2.15	258
3 Rows of Shelves		3.23	387

115V Lighting Circuit Total = Standard Lighting + Total Optional Lighting + Optional Shelf Lighting

Product Data

RI4E10

<i>Recommended Usable Cube</i> ¹ (Cu Ft/Case)	66.58 ft ³ /case (1.89 m ³ /case)
<i>ARHI Total Display Area</i> ² (Sq Ft/Case)	71.60 ft ² /case (6.65 m ² /case)
<i>Shelf Area</i> ³ (Sq Ft/Case)	108.30 ft ² /case (10.06 m ² /case)

- ¹ ARHI Refrigerated Volume less shelving and other unusable space: Refrigerated Volume / Unit of Length, ft³/ft [m³/m]
- ² Computed using ARHI 1200 standard methodology: Total Display Area, ft² [m²] / Unit of Length, ft [m]
- ³ Shelf surface area is composed of bottom deck plus standard shelf complement, as shown in the Hussmann *Product Reference Guide*. The standard shelf complement for this model is (1) row of 10-inch shelf, (1) row of 13-inch shelf and (1) row of 15-inch shelf.

ESTIMATED SHIPPING WEIGHT ⁴

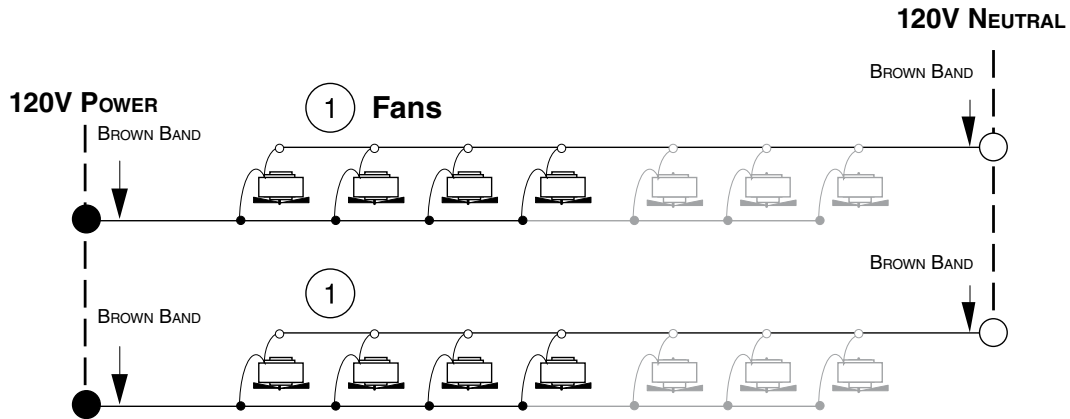
Case	10 ft	End
lb (kg)	1500 (680)	NA

⁴ Actual weights will vary according to optional kits included.

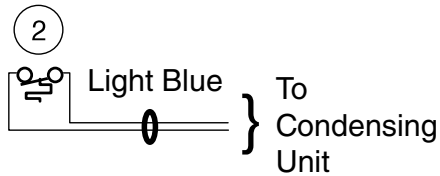
Fan Wiring Offtime Defrost

10 Fans

10 ft – 8 Fans



Refrigeration Thermostat



WARNING

All components must have mechanical ground, and the merchandiser must be grounded.

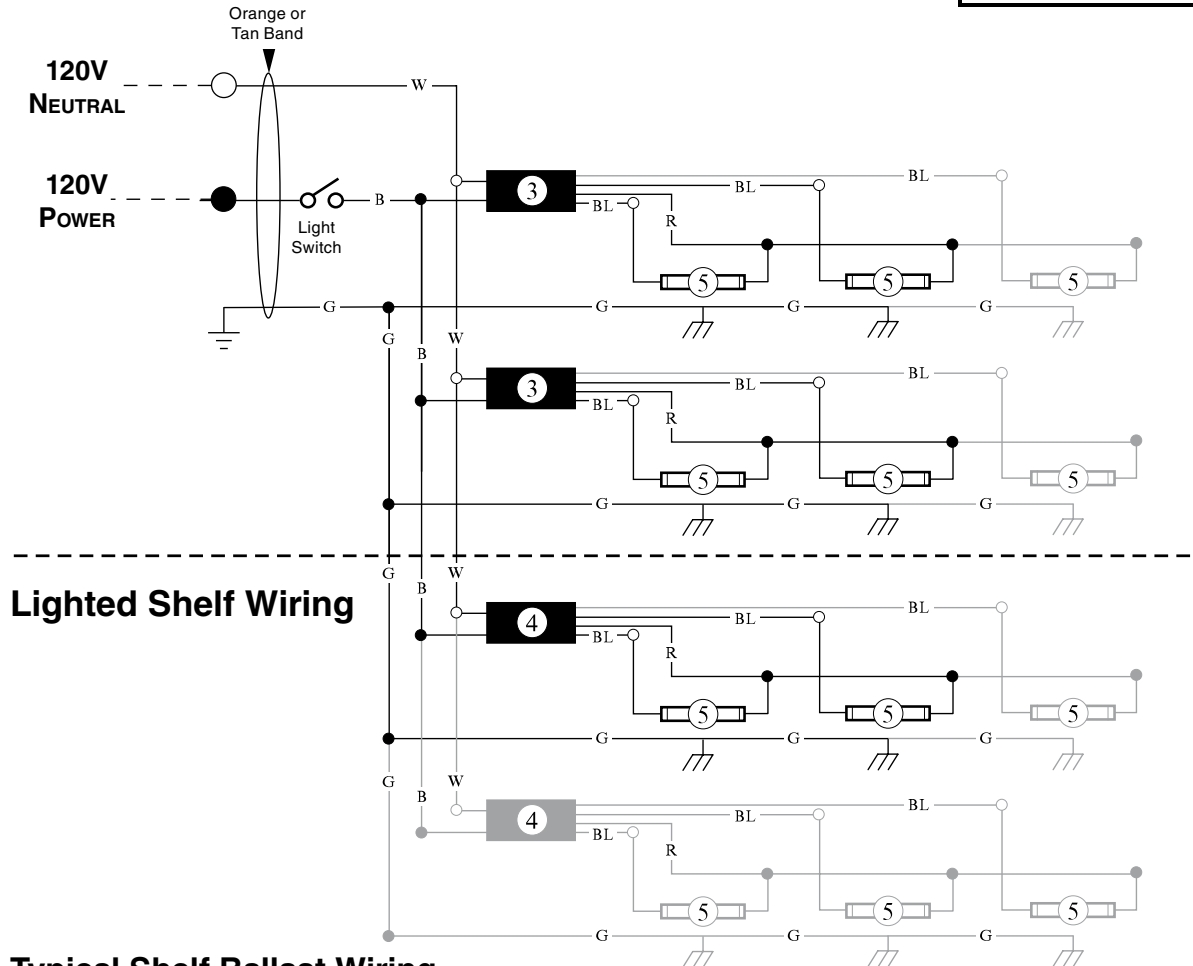
Circled numbers = Parts list Item Numbers

R = Red Y = Yellow G = Green BL = Blue BK = Black W = White

● = 120V Power ○ = 120V Neutral ⊥ = Field Ground ≡ = Case Ground

Standard Lighting — 1 Row Canopy

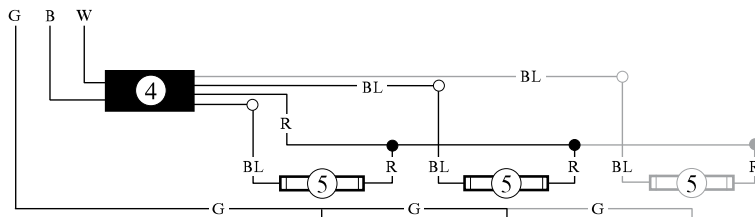
Light Circuits



Typical Shelf Ballast Wiring

Maximum lamps per ballast is three (3).
 Different shelf configurations and different case lengths will have more lamp ballasts.

Optional Ledge Light Circuit



WARNING

All components must have mechanical ground, and the merchandiser must be grounded.
 Circled numbers = Parts list Item Numbers

R = Red Y = Yellow G = Green BL = Blue BK = Black W = White

● = 120V Power ○ = 120V Neutral ⏏ = Field Ground ⏏ = Case Ground