

We reserve the right to change or revise specifications and product design in connection with any feature of our products. Such changes do not entitle the buyer to corresponding changes, improvements, additions or replacements for equipment previously sold or shipped.

| Item | Part # | Description | Wiring Item # | Item | Part # | Description | Wiring Item # |
|---------------------------------------|--|---|---------------|----------------------------|-----------------------------------|-------------|---------------|
| FAN ASSEMBLIES AND THERMOSTATS | | | | HEATERS | | | |
| 10 Ft & 12 Ft | | | | C. Anti-Sweat Heater (3) | | | |
| A. | 12W Standard | Fan Assembly | (1) | 0487118 | 10 ft (HE.4850668) | | |
| | 0047000 | Fan Motor, Evaporator (MO.4410103) | | 0491966 | 12 ft (HE.4850834) | | |
| | 0142780 | Fan Blade (FB.0142780) embossing toward motor | | LAMPS AND BALLASTS | | | |
| | 12W Energy Efficient | Fan Assembly | (1) | D. Ballast, Electronic (4) | | | |
| | 0477655 | Fan Motor, Evaporator (MO.4410546) | | 0355398 | 3 Lamps (BA.4480118) | | |
| | 0142780 | Fan Blade (FB.0142780) embossing toward motor | | 0355716 | 2 Lamps (BA.0355716) | | |
| | | | | 0447740 | (BA.4481278) | | |
| B. | Optional Adjustable Refrigeration Thermostat | (2) | | E. | Fluorescent Lamp | | (5) |
| | 0448347 | (CT.4481631) | | | <i>Replace with like fixtures</i> | | |

Note: Revision C adds energy efficient fan Btu note on page 3.



Engineering Plan Views

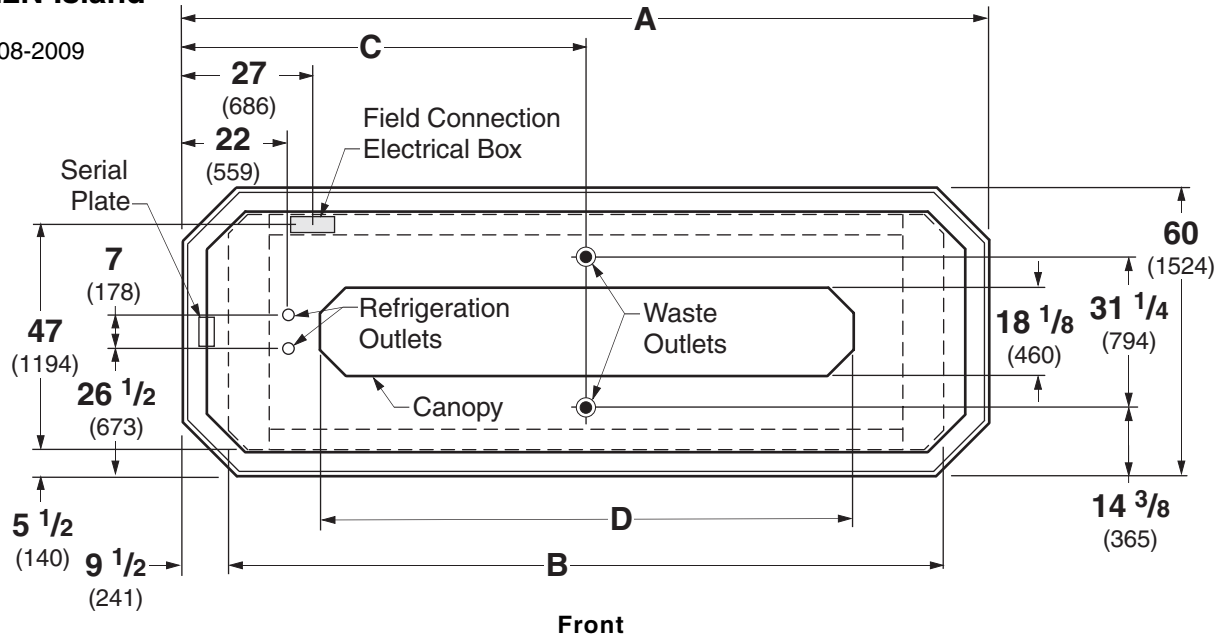
PHYSICAL DATA




| | |
|---------------------------------|-------|
| Merchandiser Drip Pipe (in.) | 1 1/2 |
| Merchandiser Liquid Line (in.) | 3/8 |
| Merchandiser Suction Line (in.) | 5/8 |

Dimensions shown as inches and (mm).

SI2N Island

08-2009

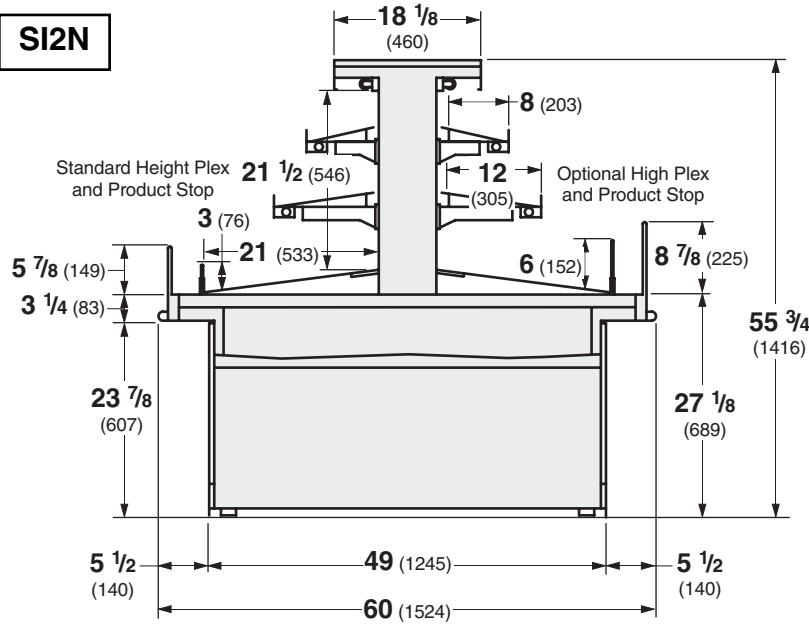


| | 10 ft | 12 ft |
|--|----------------|---------------|
| General | | |
| (A) Overall Case Length | 120 (3048) | 144 (3658) |
| (B) Base Length | 101 7/8 (2588) | 125 (3176) |
| Maximum O/S dimension of case back to front (includes bumper) | 60 (1524) | 60 (1524) |
| Front of splashguard to O/S edge of front base rail | 1 5/8 (41) | 1 5/8 (41) |
| Front of case to O/S edge of front base rail | 13 1/8 (333) | 13 1/8 (333) |
| Back of case to O/S edge of front base rail | 58 7/8 (1495) | 58 7/8 (1495) |
| Width of base rail | 1 7/8 (48) | 1 7/8 (48) |
| (D) Length of Canopy | 66 1/8 (1680) | 90 1/8 (2289) |
| Width of Canopy | 18 1/8 (460) | 18 1/8 (460) |
| Electrical Service  (Electrical Field Wiring connection point) | | |
| Center of Electrical service to O/S edge of front base rail | 47 (1194) | 47 (1194) |
| Left end of case to center of field connection box | 27 (686) | 27 (686) |
| Right end of case to center of field connection box | 93 (2362) | 117 (2972) |
| Waste Outlets  | | |
| (C) LH End of case to the center of waste outlet | 78 (1981) | 102 (2591) |
| Center of front waste outlet to outside of front base rail | 8 7/8 (225) | 8 7/8 (225) |
| Center of back waste outlet to outside of front base rail | 40 1/8 (1019) | 40 1/8 (1019) |
| Schedule 40 PVC drip pipe | 1 1/2 (38) | 1 1/2 (38) |
| Refrigeration Outlet  | | |
| LH end of case to center of refrigeration outlet | 22 (559) | 22 (559) |
| RH end of case to center of refrigeration outlet | 98 (2489) | 122 (3099) |

SI2N
Multi-deck Island

Dimensions shown as inches and (mm).

SI2N



REFRIGERATION DATA

Note: This data is based on store temperature and humidity that does not exceed 75°F and 55% R.H.

| | |
|---------------------------|-------------|
| | SI2N |
| Discharge Air (°F) | 27 |
| Evaporator (°F) | 20 |
| Unit Sizing (°F) | 18 |

| | |
|--------------------------------|-------------|
| Btu/hr/ft[±] | |
| LIT & UNLIT SHELVES | SI2N |
| Parallel | 1444 |
| Conventional | 1575 |

[±]Optional energy efficient motors reduce the refrigeration load by 73 Btu/hr/ft.

DEFROST DATA

| | |
|---|-------------|
| | SI2N |
| Frequency (hr) | 4 |
| Defrost Water (lb/ft/day) | 12 |
| <small>(± 15% based on case configuration and product loading).</small> | |

| | |
|----------------------------------|-------------|
| OFFTIME | SI2N |
| Time Terminated (minutes) | 20 |

ELECTRIC OR GAS Not Recommended

CONVENTIONAL CONTROLS

| | |
|--|-------------|
| Low Pressure Backup Control | SI2N |
| CI/CO* | 14°F / 4°F |
| Indoor Unit Only, Pressure Defrost Termination* | 48°F |

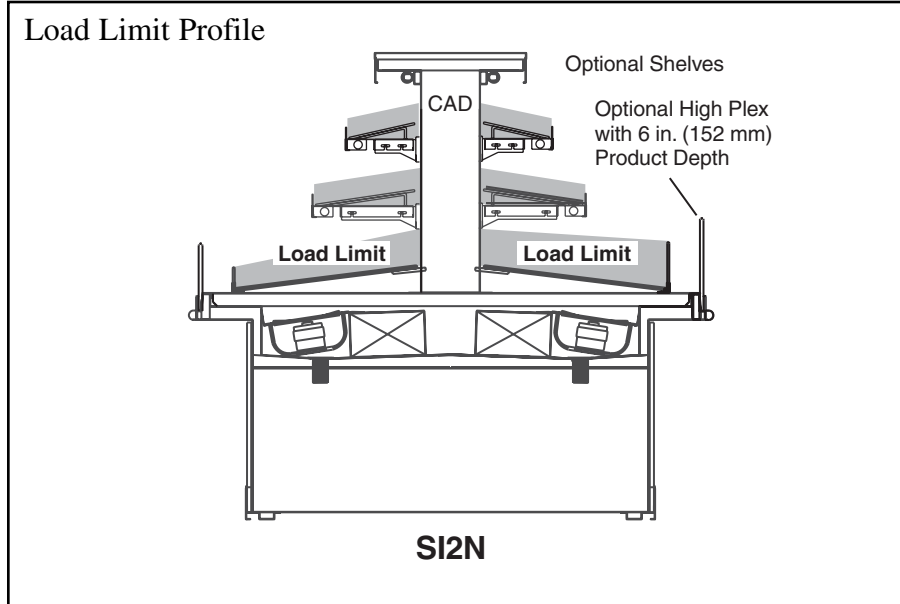
*Use a Temperature Pressure Chart to determine PSIG conversions.

| | |
|----------------------------|---------------------------|
| Estimated Charge ** | SI2N |
| 10 ft | 2.1 lb 34 oz 1.0 kg |
| 12 ft | 2.5 lb 40 oz 1.1 kg |

**This is an average for all refrigerant types. Actual refrigerant charge may vary by approximately half a pound.

NSF® Certification

This merchandiser is manufactured to meet ANSI/NSF® (National Sanitation Foundation) Standard #7 requirements for construction, materials & cleanability.



Cases may not function properly if they are loaded above load limits.

Air flow between the shelves, from the Center Air Discharge (CAD) to the return, must be maintained at all times for optimum operating efficiency and to prolong product shelf life. At no time should merchandisers be stocked beyond the load limits indicated.

SI2N

Multi-deck Island

Electrical Data

| Number of Fans – 12W | 10 ft | | 12 ft | | | |
|---|---------|------------------|-----------|-----------|-------|-------|
| | 6 | | 8 | | | |
| | Amperes | | | | Watts | |
| | | | 10 ft | 12 ft | 10 ft | 12 ft |
| Evaporator Fan | | | | | | |
| 120V | 60Hz | Standard | 3.90 | 5.20 | 300 | 400 |
| 120V | 50Hz | Standard | 4.50 | 6.00 | 342 | 456 |
| 230V | 60Hz | Export | NA | NA | NA | NA |
| 230V | 50Hz | Export | NA | NA | NA | NA |
| 120V | 60Hz | Energy Efficient | 1.80 | 2.40 | 108 | 144 |
| 230V | 60Hz | Energy Efficient | NA | NA | NA | NA |
| Anti-sweat Heaters | | | | | | |
| 120V | 50/60Hz | Standard | 0.70 | 0.90 | 84 | 108 |
| 230V | 50/60Hz | Export | NA | NA | NA | NA |
| Minimum Circuit Ampacity (MCA) | | | | | | |
| 120V | 60Hz | Standard | 5.27 | 6.90 | | |
| 120V | 50Hz | Standard | 5.31 | 6.98 | | |
| 230V | 60Hz | Export | NA | NA | | |
| 230V | 50Hz | Export | NA | NA | | |
| 120V | 60Hz | Energy Efficient | 2.61 | 3.38 | | |
| 230V | 60Hz | Energy Efficient | NA | NA | | |
| Maximum Over Current Protection 120V | | | 20 | 20 | | |
| Maximum Over Current Protection 230V | | | NA | NA | | |
| Standard Lighting | | | | | | |
| 1 Row Canopy | | | 0.49 | 0.98 | 59 | 118 |
| Optional Lighting | | | | | | |
| 1 Row of Ledge | | | 2.00 | 2.33 | 240 | 280 |
| Optional Shelf Lighting | | | | | | |
| 1 Row of Shelves | | | 0.82 | 1.12 | 98 | 134 |
| 2 Rows of Shelves | | | 1.63 | 2.23 | 196 | 268 |

115V Lighting Circuit Total = Standard Lighting + Total Optional Lighting + Optional Shelf Lighting

| |
|---|
| SI2N Multi-deck Island |
|---|

Product Data

SI2N10

| | |
|--|---|
| <i>Recommended Usable Cube</i> ¹ (Cu Ft/Case) | 37.02 ft ³ /case (1.05 m ³ /case) |
| <i>ARI Total Display Area</i> ² (Sq Ft/Case) | 44.78 ft ² /case (4.16 m ² /case) |
| <i>Shelf Area</i> ³ (Sq Ft/Case) | 66.80 ft ² /case (6.21 m ² /case) |

SI2N12

| | |
|--|---|
| <i>Recommended Usable Cube</i> ¹ (Cu Ft/Case) | 44.42 ft ³ /case (1.26 m ³ /case) |
| <i>ARI Total Display Area</i> ² (Sq Ft/Case) | 53.74 ft ² /case (4.99 m ² /case) |
| <i>Shelf Area</i> ³ (Sq Ft/Case) | 80.16 ft ² /case (7.45 m ² /case) |

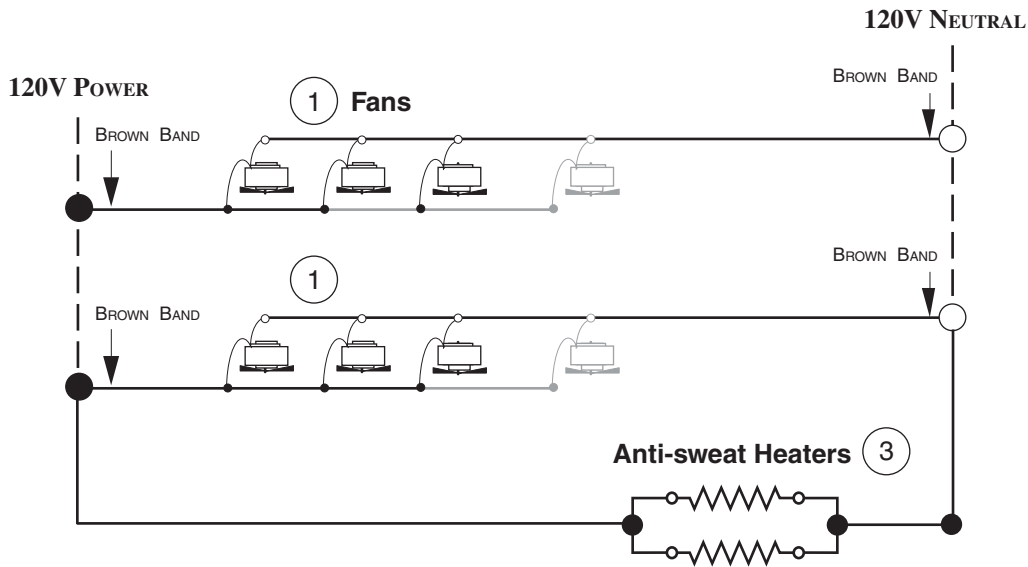
¹ ARI Refrigerated Volume less shelving and other unusable space: Refrigerated Volume / Unit of Length, ft³/ft [m³/m]
² Computed using ARI 1200 standard methodology: Total Display Area, ft² [m²] / Unit of Length, ft [m]
³ Shelf surface area is composed of bottom deck plus standard shelf complement, as shown in the Hussmann *Product Reference Guide*. The standard shelf complement for this model is (1) row of 8-inch shelf, (1) row of 12-inch shelf.

| ESTIMATED SHIPPING WEIGHT ⁴ | | | |
|--|--------------|--------------|------------|
| Case | <i>10 ft</i> | <i>12 ft</i> | <i>End</i> |
| lb (kg) | 1200 (544) | 1300 (590) | NA |
| ⁴ Actual weights will vary according to optional kits included. | | | |

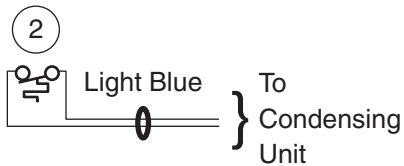
Fan Wiring Offtime Defrost

6 & 8 Fans

10 ft — 6 Fans
12 ft — 8 Fans



Refrigeration Thermostat



WARNING

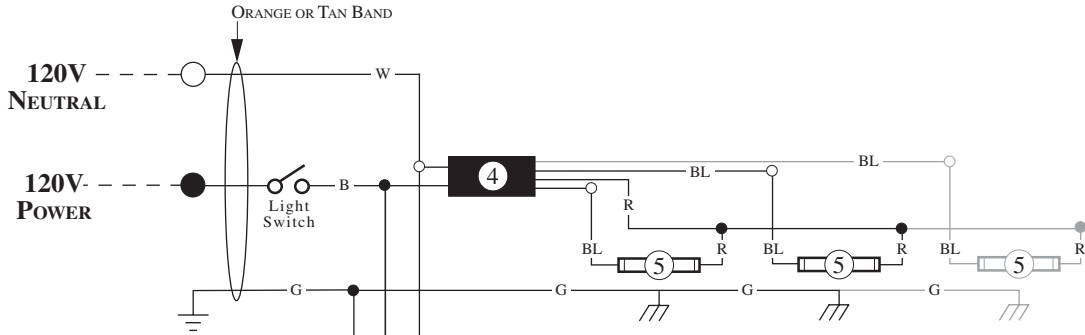
All components must have mechanical ground, and the merchandiser must be grounded.

CIRCLED NUMBERS = PARTS LIST ITEM NUMBERS

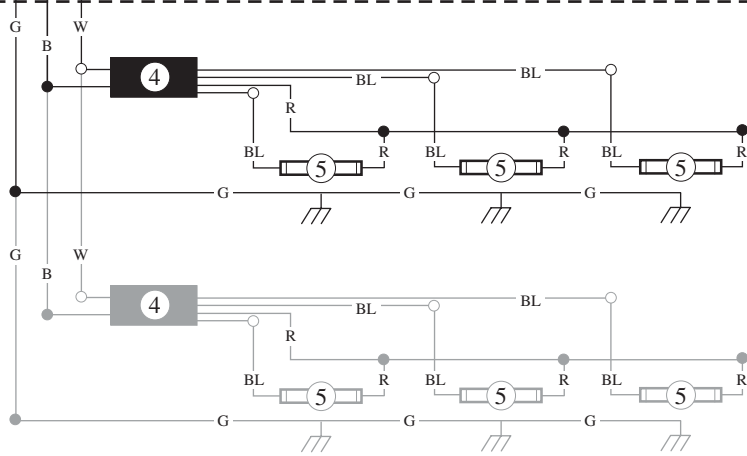
R = Red Y = Yellow G = Green BL = Blue B = Black W = White

● = 120V POWER ○ = 120V NEUTRAL \perp = FIELD GROUND \parallel = CASE GROUND

Standard Lighting — 1 Row Canopy



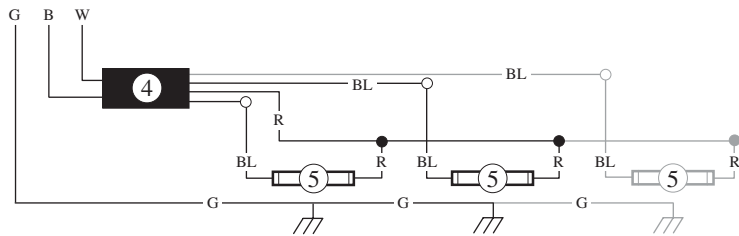
Lighted Shelf Wiring



Typical Shelf Ballast Wiring

Maximum lamps per ballast is three (3).
 Different shelf configurations and different case lengths will have more shelf ballasts.

Optional Ledge Light Circuit



WARNING

All components must have mechanical ground, and the merchandiser must be grounded.

CIRCLED NUMBERS = PARTS LIST ITEM NUMBERS

R = Red Y = Yellow G = Green BL = Blue B = Black W = White

● = 120V POWER ○ = 120V NEUTRAL ⊥ = FIELD GROUND ≡ = CASE GROUND