

We reserve the right to change or revise specifications and product design in connection with any feature of our products. Such changes do not entitle the buyer to corresponding changes, improvements, additions or replacements for equipment previously sold or shipped.

Item	Part #	Description	Wiring Item #	Item	Part #	Description	Wiring Item #
FAN ASSEMBLIES AND THERMOSTATS				HEATERS			
10 Ft & 12 Ft				C.	0447688	Anti-Sweat Heater (HE.4850682)	(3)
A.	12W Standard Energy Efficient	Fan Assembly (1)		LAMPS AND BALLASTS			
	0477655	Fan Motor, Evaporator (MO.4410546)		D.	0447683	Ballast, Electronic 2 Lamp (BA.4440811)	(4)
	0376413	Fan Blade (FB.0376413) embossing toward motor		E.		Fluorescent Lamp	(5)
B.	Optional Adjustable Refrigeration Thermostat(2)					<i>Replace with like fixtures</i>	
	0448347	(CT.4481631)					

Note: Rev. E removes 14 ft and 16 ft models. Other changes marked by bar, underline or circle.

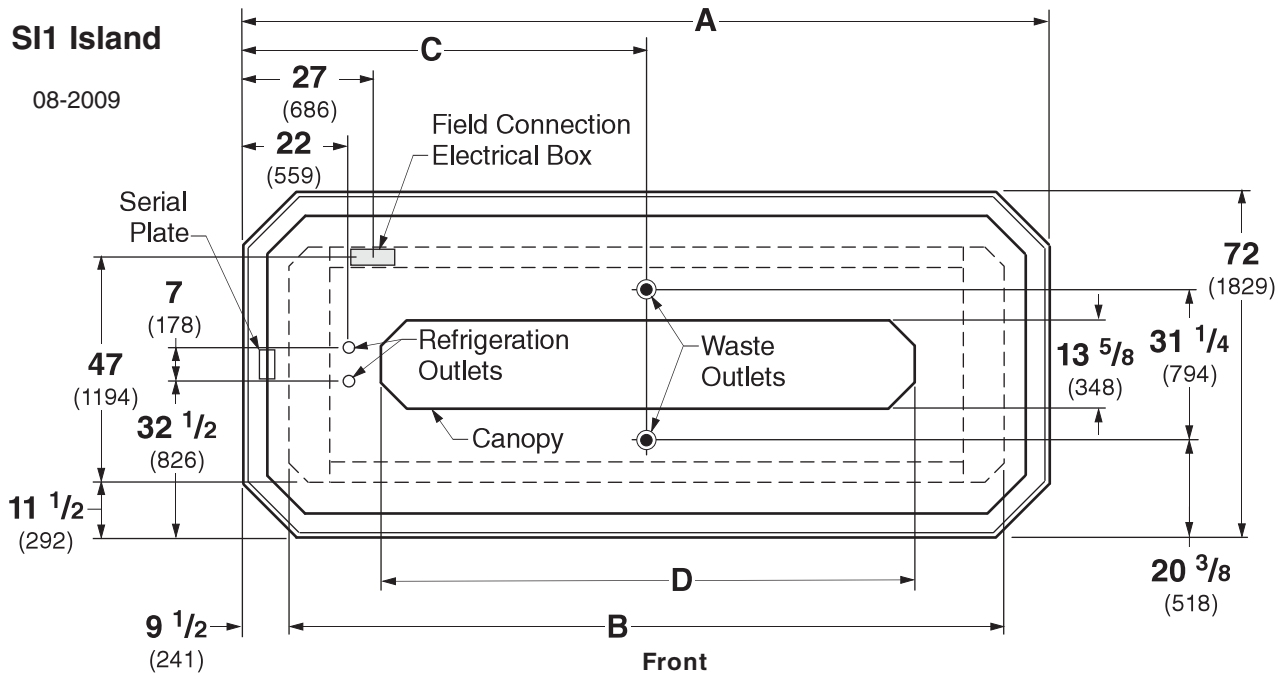





Engineering Plan Views

Dimensions shown as inches and (mm).

PHYSICAL DATA

Merchandiser Drip Pipe (in.)	1 1/2
Merchandiser Liquid Line (in.)	3/8
Merchandiser Suction Line (in.)	5/8

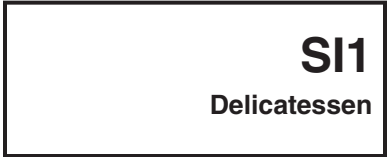


	10 ft	12 ft
General		
(A) Overall Case Length	120 (3048)	144 (3658)
(B) Base Length	101 (2565)	125 (3175)
Maximum O/S dimension of case back to front (<i>includes bumper</i>)	72 (1829)	72 (1829)
Front of splashguard to O/S edge of front base rail	1 5/8 (41)	1 5/8 (41)
Front of case to O/S edge of front base rail	13 1/8 (333)	13 1/8 (333)
Back of case to O/S edge of front base rail	58 7/8 (1495)	58 7/8 (1495)
Width of base rail	1 7/8 (48)	1 7/8 (48)
(D) Length of Canopy	61 5/8 (1565)	85 5/8 (2175)
Width of Canopy	13 5/8 (346)	13 5/8 (346)
Electrical Service  (<i>Electrical Field Wiring connection point</i>)		
Center of Electrical service to O/S edge of front base rail	47 (1194)	47 (1194)
Left end of case to center of field connection box	27 (686)	27 (686)
Right end of case to center of field connection box	93 (2362)	117 (2972)
Waste Outlets 		
(C) LH End of case to the center of waste outlet	78 (1981)	102 (2591)
Center of front waste outlet to outside of front base rail	8 7/8 (225)	8 7/8 (225)
Center of back waste outlet to outside of front base rail	40 1/8 (1019)	40 1/8 (1019)
Schedule 40 PVC drip pipe	1 1/2 (38)	1 1/2 (38)
Refrigeration Outlet 		
LH end of case to center of refrigeration outlet	22 (559)	22 (559)
RH end of case to center of refrigeration outlet	98 (2489)	122 (3099)

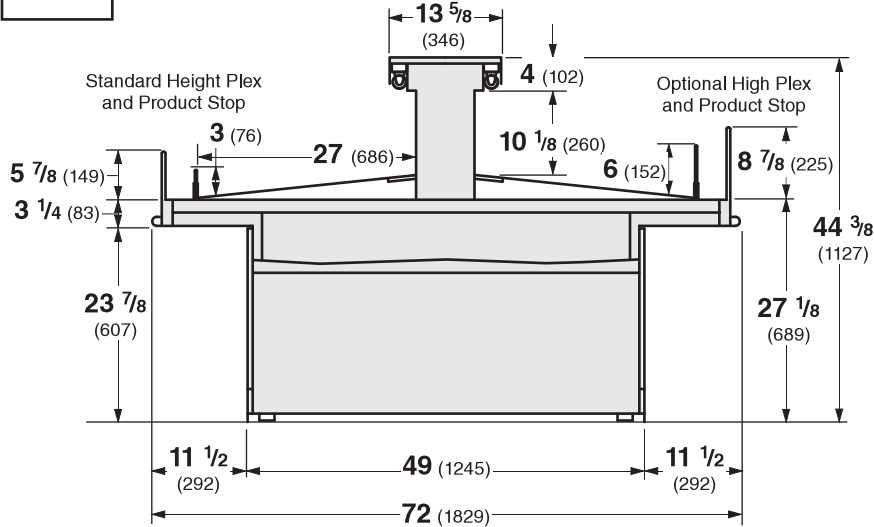
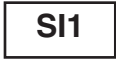
Single Deck Island, 1 Display Level



Hussmann refrigerated merchandisers configured for sale for use in the United States meet or surpass the requirements of the DOE 2012 energy efficiency standards.



Dimensions shown as inches and (mm).



REFRIGERATION DATA

Note: This data is based on store temperature and humidity that does not exceed 75°F and 55% R.H.

Discharge Air (°F)	SI1
Evaporator (°F)	27
Unit Sizing (°F)	15
	13
<i>Btulhr/ft</i>	SI1
Parallel	1187
Conventional	1302

DEFROST DATA

Frequency (hr)	SI1
Defrost Water (lb/ft/day)	4
	9
(± 15% based on case configuration and product loading).	

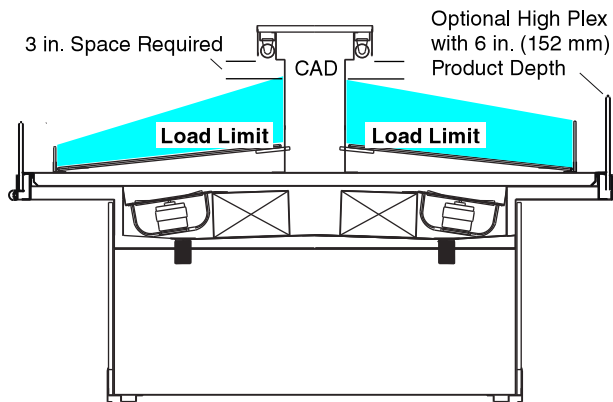
NSF Certification

This merchandiser model is manufactured to meet NSF/ANSI (National Sanitation Foundation) Standard #7 requirements for construction, materials & cleanability.

OFFTIME	SI1
Time Terminated (minutes)	20

ELECTRIC OR GAS Not Recommended

Load Limit Profile



SI1

CONVENTIONAL CONTROLS

Low Pressure Backup Control	SI1
CI/CO*	8°F / -2°F
Indoor Unit Only, Pressure Defrost Termination*	48°F

*Use a Temperature Pressure Chart to determine PSIG conversions.

Estimated Charge **	SI1		
10 ft	2.1 lb	34 oz	1.0 kg
12 ft	2.5 lb	40 oz	1.1 kg

**This is an average for all refrigerant types. Actual refrigerant charge may vary by approximately half a pound (8 oz/0.2 kg).

Cases may not function properly if they are loaded above load limits.

Air flow between the shelves, from the Center Air Discharge (CAD) to the return, must be maintained at all times for optimum operating efficiency and to prolong product shelf life. At no time should merchandisers be stocked beyond the load limits indicated.

SI1

Delicatessen

Electrical Data

	10 ft		12 ft			
	6		8			
	Amperes		Amperes		Watts	
	10 ft	12 ft	10 ft	12 ft	10 ft	12 ft
Number of Fans – 12W						
Evaporator Fan						
120V	50/60Hz	Standard Energy Efficient	1.80	2.40	108	144
230V	50/60Hz	Standard Energy Efficient	NA	NA	NA	NA
230V	60Hz	Export	NA	NA	NA	NA
230V	50Hz	Export	NA	NA	NA	NA
Anti-sweat Heaters						
120V	50/60Hz	Standard	1.00	1.33	120	160
230V	50/60Hz	Export	NA	NA	NA	NA
Minimum Circuit Ampacity (MCA)						
120V	50/60Hz	Standard Energy Efficient	2.52	3.30		
230V	50/60Hz	Standard Energy Efficient	NA	NA		
230V	60Hz	Export	NA	NA		
230V	50Hz	Export	NA	NA		
Maximum Over Current Protection 120V			20	20		
Maximum Over Current Protection 230V			NA	NA		

ONLY LIGHTING CONFIGURATIONS THAT ARE COMPLIANT WITH THE U.S. DEPT. OF ENERGY (DOE) 2012 REGULATION ARE AVAILABLE FOR SALE FOR USE IN THE U.S.A.

Standard Lighting						
1 Row Canopy			0.80	1.20	96	144
Optional Lighting						
1 Row of Ledge			2.00	2.33	240	280
Optional Shelf Lighting						
None						

115V Lighting Circuit Total = Standard Lighting + Total Optional Lighting + Optional Shelf Lighting

Product Data

SI110

<i>Recommended Usable Cube</i> ¹ (Cu Ft/Case)	22.50 ft ³ /case (0.64 m ³ /case)
<i>AHRI Total Display Area</i> ² (Sq Ft/Case)	51.10 ft ² /case (4.75 m ² /case)
<i>Shelf Area</i> ³ (Sq Ft/Case)	45.00 ft ² /case (4.18 m ² /case)

SI112

<i>Recommended Usable Cube</i> ¹ (Cu Ft/Case)	27.00 ft ³ /case (0.76 m ³ /case)
<i>AHRI Total Display Area</i> ² (Sq Ft/Case)	64.92 ft ² /case (6.03 m ² /case)
<i>Shelf Area</i> ³ (Sq Ft/Case)	54.00 ft ² /case (5.02 m ² /case)

- ¹ AHRI Refrigerated Volume less shelving and other unusable space: Refrigerated Volume / Unit of Length, ft³/ft [m³/m]
² Computed using AHRI 1200 standard methodology: Total Display Area, ft² [m²] / Unit of Length, ft [m]
³ Shelf surface area is composed of bottom deck plus standard shelf complement, as shown in the Hussmann *Product Reference Guide*. The standard shelf complement for this model is NONE.

ESTIMATED SHIPPING WEIGHT ⁴

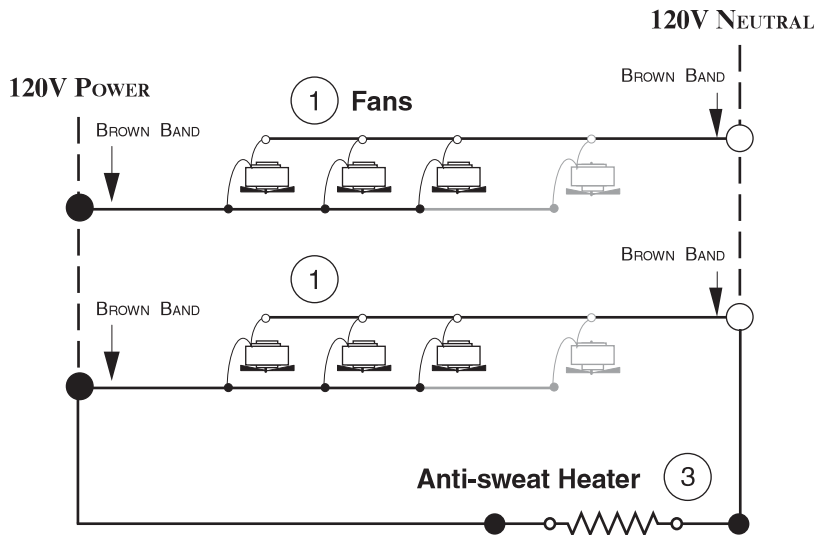
Case	<i>10 ft</i>	<i>12 ft</i>	<i>End</i>
lb (kg)	1200 (544)	1400 (635)	NA

⁴ Actual weights will vary according to optional kits included.

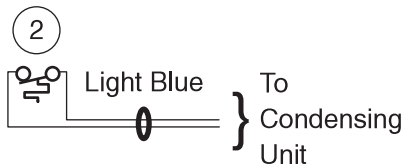
Fan Wiring Offtime Defrost

6 & 8 Fans

10 ft — 6 Fans
12 ft — 8 Fans



Refrigeration Thermostat



WARNING

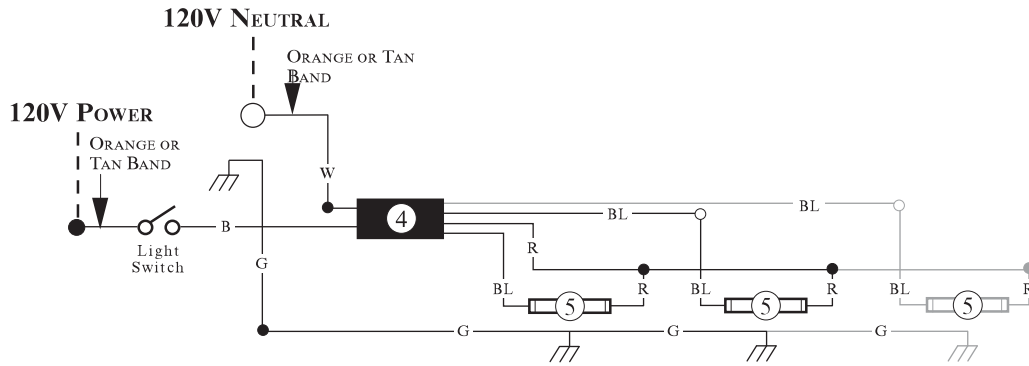
All components must have mechanical ground, and the merchandiser must be grounded.

CIRCLED NUMBERS = PARTS LIST ITEM NUMBERS

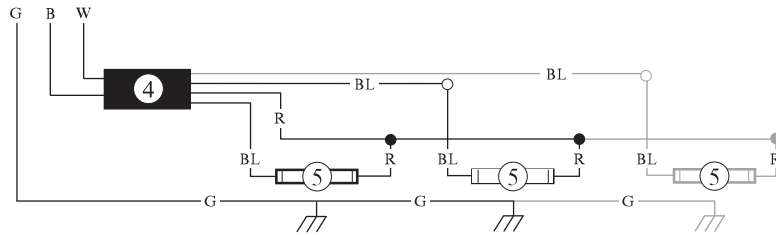
R = Red Y = Yellow G = Green BL = Blue B = Black W = White

● = 120V POWER ○ = 120V NEUTRAL ⊥ = FIELD GROUND ≡ = CASE GROUND

Standard Lighting — 1 Row Canopy



Optional Ledge Light Circuit



WARNING

All components must have mechanical ground, and the merchandiser must be grounded.

CIRCLED NUMBERS = PARTS LIST ITEM NUMBERS

R = Red Y = Yellow G = Green BL = Blue B = Black W = White

● = 120V POWER ○ = 120V NEUTRAL ⊥ = FIELD GROUND ≡ = CASE GROUND