

We reserve the right to change or revise specifications and product design in connection with any feature of our products. Such changes do not entitle the buyer to corresponding changes, improvements, additions or replacements for equipment previously sold or shipped.

Item	Part #	Description	Wiring Item #	Item	Part #	Description	Wiring Item #
<b>FAN ASSEMBLIES AND THERMOSTATS</b>				<b>HEATERS</b>			
<b>8 Ft</b>				C.	0447688	Anti-Sweat Heater (HE.4850682)	(3)
A.	<b>12W Standard</b>	Fan Assembly	(1)	<b>LAMPS AND BALLASTS</b>			
	0047000	Fan Motor, Evaporator (MO.4410103)		D.	0447683	Ballast, Electronic 2 Lamps (BA.4440811)	(4)
	0376413	Fan Blade (FB.0376413) embossing toward motor		E.		Fluorescent Lamp <i>Replace with like fixtures</i>	(5)
	<b>12W Energy Efficient</b>	Fan Assembly	(1)				
	0477655	Fan Motor, Evaporator (MO.4410546)					
	0376413	Fan Blade (FB.0376413) embossing toward motor					
B.	Optional Adjustable Refrigeration Thermostat	(2)					
	0448347	(CT.4481631)					

Note: Revision C adds energy efficient fan Btu note on page 3.



# Engineering Plan Views

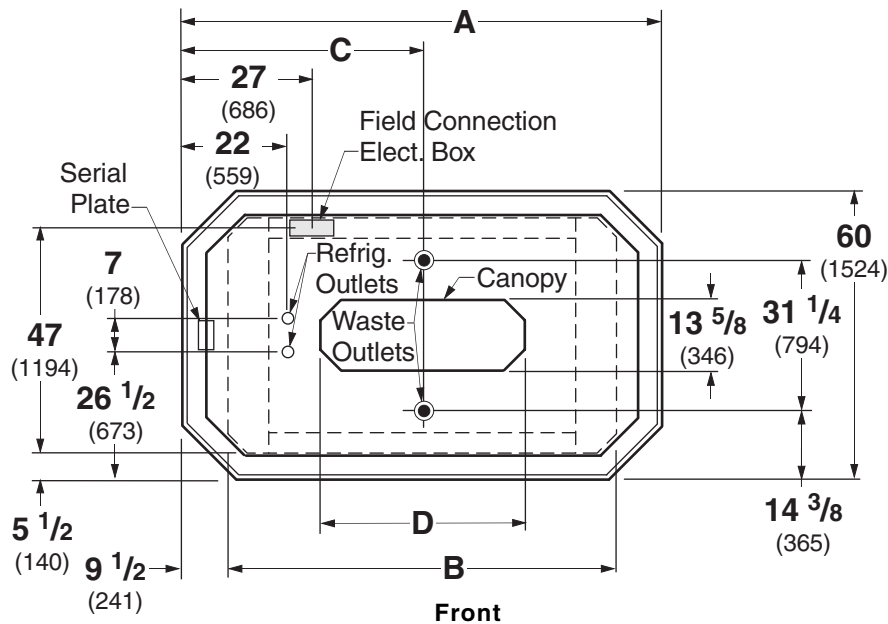
## PHYSICAL DATA

Merchandiser Drip Pipe (in.)	1 1/2
Merchandiser Liquid Line (in.)	3/8
Merchandiser Suction Line (in.)	5/8

Dimensions shown as inches and (mm).

### SI1N Island

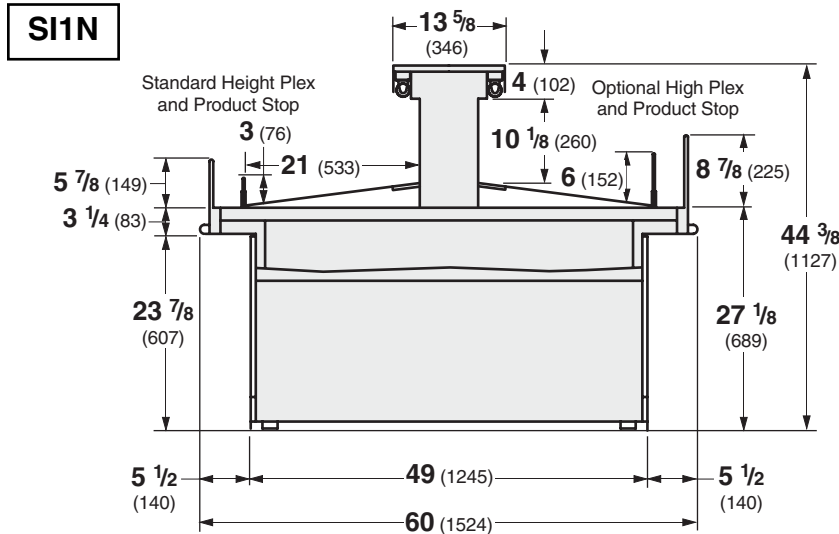
08-2009



		8 ft
<b>General</b>		
<b>(A)</b> Overall Case Length		96 (2438)
<b>(B)</b> Base Length		77 (1956)
Maximum O/S dimension of case back to front ( <i>includes bumper</i> )		60 (1524)
Front of splashguard to O/S edge of front base rail		1 5/8 (41)
Front of case to O/S edge of front base rail		13 1/8 (333)
Back of case to O/S edge of front base rail		58 7/8 (1495)
Width of base rail		1 7/8 (48)
<b>(D)</b> Length of Canopy		61 5/8 (1565)
Width of Canopy		13 5/8 (346)
<b>Electrical Service</b> <span style="display: inline-block; width: 15px; height: 10px; background-color: #cccccc; border: 1px solid black;"></span> ( <i>Electrical Field Wiring connection point</i> )		
Center of Electrical service to O/S edge of front base rail		47 (1194)
Left end of case to center of field connection box		27 (686)
Right end of case to center of field connection box		69 (1753)
<b>Waste Outlets</b> <span style="display: inline-block; width: 10px; height: 10px; background-color: black; border-radius: 50%;"></span>		
<b>(C)</b> LH End of case to the center of waste outlet		48 (1218)
Center of front waste outlet to outside of front base rail		8 7/8 (225)
Center of back waste outlet to outside of front base rail		40 1/8 (1019)
Schedule 40 PVC drip pipe		1 1/2 (38)
<b>Refrigeration Outlet</b> <span style="display: inline-block; width: 10px; height: 10px; border: 1px solid black; border-radius: 50%;"></span>		
LH end of case to center of refrigeration outlet		22 (559)
RH end of case to center of refrigeration outlet		74 (1880)

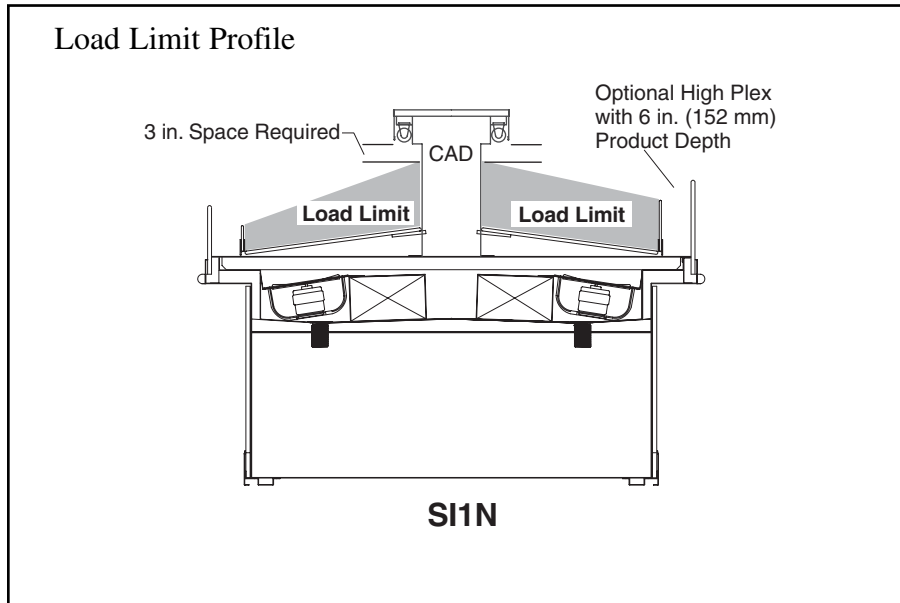
**SI1N**  
Delicatessen

Dimensions shown as inches and (mm).



**NSF® Certification**

This merchandiser is manufactured to meet ANSI/NSF® (National Sanitation Foundation) Standard #7 requirements for construction, materials & cleanliness.



**Cases may not function properly if they are loaded above load limits.**

Air flow between the shelves, from the Center Air Discharge (CAD) to the return, must be maintained at all times for optimum operating efficiency and to prolong product shelf life. At no time should merchandisers be stocked beyond the load limits indicated.

**REFRIGERATION DATA**

**Note:** This data is based on store temperature and humidity that does not exceed 75°F and 55% R.H.

	<b>SI1</b>
<b>Discharge Air (°F)</b>	27
<b>Evaporator (°F)</b>	15
<b>Unit Sizing (°F)</b>	13

*Btu/hr/ft<sup>±</sup>*

<b>LIT &amp; UNLIT SHELVES</b>	<b>SI1</b>
<b>Parallel</b>	1260
<b>Conventional</b>	1375

<sup>±</sup>Optional energy efficient motors reduce the refrigeration load by 55 Btu/hr/ft.

**DEFROST DATA**

	<b>SI1</b>
<b>Frequency (hr)</b>	4
<b>Defrost Water (lb/ft/day)</b>	9
<i>(± 15% based on case configuration and product loading).</i>	

<b>OFFTIME</b>	<b>SI1</b>
<b>Time Terminated (minutes)</b>	20

**ELECTRIC OR GAS** Not Recommended

**CONVENTIONAL CONTROLS**

<b>Low Pressure Backup Control</b>	<b>SI1</b>
<b>CI/CO*</b>	8°F / -2°F
<b>Indoor Unit Only, Pressure Defrost Termination*</b>	48°F

\*Use a Temperature Pressure Chart to determine PSIG conversions.

<b>Estimated Charge **</b>	<b>SI1</b>
<b>8 ft</b>	1.7 lb    27 oz    0.8 kg

\*\*This is an average for all refrigerant types. Actual refrigerant charge may vary by approximately half a pound.

# SI1N

Delicatessen

## Electrical Data

			8 ft	
Number of Fans – 12W			4	
			Amperes	Watts
			8 ft	8 ft
<b>Evaporator Fan</b>				
120V	60Hz	Standard	2.60	200
120V	50Hz	Standard	3.00	228
230V	60Hz	Export	NA	NA
230V	50Hz	Export	NA	NA
120V	60Hz	Energy Efficient	1.20	72
230V	60Hz	Energy Efficient	NA	NA
<b>Anti-sweat Heaters</b>				
120V	50/60Hz	Standard	1.00	120
230V	50/60Hz	Export	NA	NA
<b>Minimum Circuit Ampacity (MCA)</b>				
120V	60Hz	Standard	3.80	
120V	50Hz	Standard	3.72	
230V	60Hz	Export	NA	
230V	50Hz	Export	NA	
120V	60Hz	Energy Efficient	1.92	
230V	60Hz	Energy Efficient	NA	
<b>Maximum Over Current Protection 120V</b>			<b>20</b>	
<b>Maximum Over Current Protection 230V</b>			NA	
<b>Standard Lighting</b>				
1 Row Canopy			0.80	
<b>Optional Lighting</b>				
1 Row of Ledge			1.67	
<b>Optional Shelf Lighting</b>				
None				

115V Lighting Circuit Total = Standard Lighting + Total Optional Lighting + Optional Shelf Lighting

**Product Data**

**SI1N8**

<i>Recommended Usable Cube</i> <sup>1</sup> (Cu Ft/Case)	14.00 ft <sup>3</sup> /case (0.40 m <sup>3</sup> /case)
<i>AHRI Total Display Area</i> <sup>2</sup> (Sq Ft/Case)	27.47 ft <sup>2</sup> /case (2.55 m <sup>2</sup> /case)
<i>Shelf Area</i> <sup>3</sup> (Sq Ft/Case)	28.00 ft <sup>2</sup> /case (2.60 m <sup>2</sup> /case)

<sup>1</sup> AHRI Refrigerated Volume less shelving and other unusable space: Refrigerated Volume / Unit of Length, ft<sup>3</sup>/ft [m<sup>3</sup>/m]

<sup>2</sup> Computed using AHRI 1200 standard methodology: Total Display Area, ft<sup>2</sup> [m<sup>2</sup>] / Unit of Length, ft [m]

<sup>3</sup> Shelf surface area is composed of bottom deck plus standard shelf complement, as shown in the Hussmann *Product Reference Guide*. The standard shelf complement for this model is none.

**ESTIMATED SHIPPING WEIGHT <sup>4</sup>**

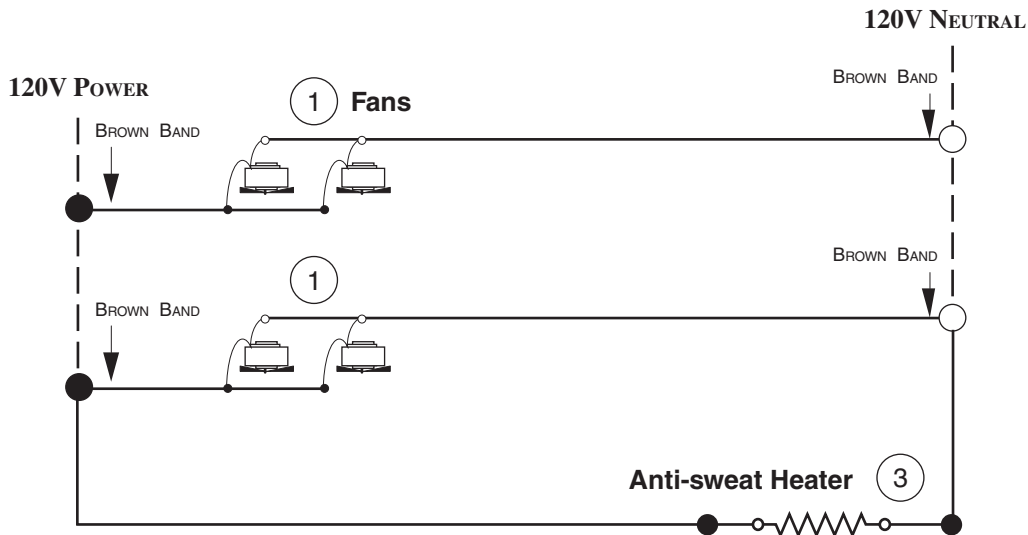
<b>Case</b>	<i>8 ft</i>	<i>End</i>
<b>lb (kg)</b>	1000 (454)	NA

<sup>4</sup> Actual weights will vary according to optional kits included.

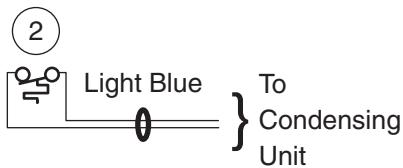
# Fan Wiring Offtime Defrost

## 4 Fans

8 ft — 4 Fans



## Refrigeration Thermostat



### WARNING

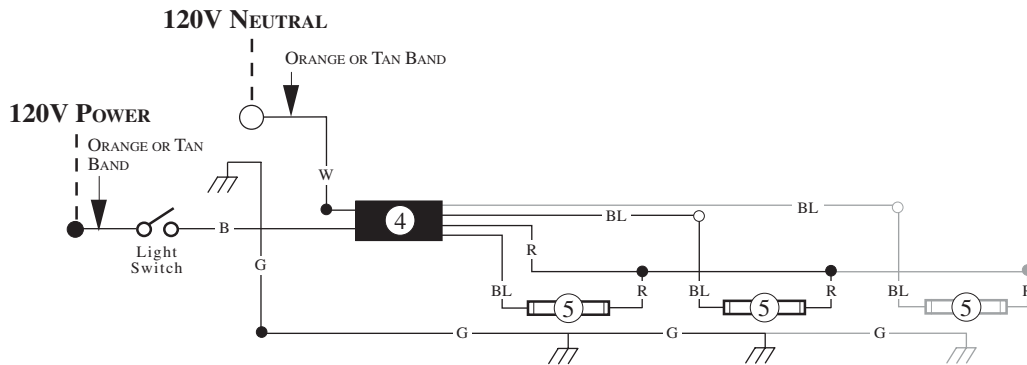
All components must have mechanical ground, and the merchandiser must be grounded.

CIRCLED NUMBERS = PARTS LIST ITEM NUMBERS

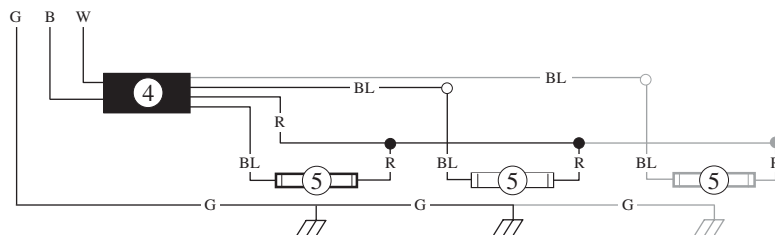
R = Red Y = Yellow G = Green BL = Blue B = Black W = White

● = 120V POWER ○ = 120V NEUTRAL  $\perp$  = FIELD GROUND  $\text{///}$  = CASE GROUND

### Standard Lighting — 1 Row Canopy



### Optional Ledge Light Circuit



**WARNING**

All components must have mechanical ground, and the merchandiser must be grounded.

CIRCLED NUMBERS = PARTS LIST ITEM NUMBERS

R = Red   Y = Yellow   G = Green   BL = Blue   B = Black   W = White

● = 120V POWER   ○ = 120V NEUTRAL   ⊥ = FIELD GROUND   ≡ = CASE GROUND