

**IMPORTANT**

**ONE FLOOR DRAIN IS  
REQUIRED FOR EACH CASE.**

We reserve the right to change or revise specifications and product design in connection with any feature of our products. Such changes do not entitle the buyer to corresponding changes, improvements, additions or replacements for equipment previously sold or shipped.

Item	Part #	Description	Wiring Item #	Item	Part #	Description	Wiring Item #
<b>FAN ASSEMBLIES</b>				<b>THERMOSTATS</b>			
<b>4 Ft, 8 Ft &amp; 12 Ft</b>				B. Optional Adjustable Refrigeration Thermostat (2)			
A.	<b>12W Standard</b>	Fan Assembly	(1)	<b>LAMPS AND BALLASTS</b>			
	0047000	Fan Motor, Evaporator (MO.4410103)		C.	Ballast, Electronic		(3)
	0461805	Fan Blade (FB.4780446)			0480130	2 lamps (BA.4481676)	
	<b>12W Energy Efficient</b>	Fan Assembly	(1)		0480131	3 lamps (BA.4481654)	
	0477655	Fan Motor, Evaporator (MO.4410546)			0480132	4 lamps (BA.4481677)	
	0461805	Fan Blade (FB.4780446)		D.	Fluorescent Lamp		(4)
					<i>Replace with like fixtures</i>		
<b>6 Ft Only</b>				<b>LED FIXTURES AND POWER SUPPLY</b>			
A.	<b>7W Standard</b>	Fan Assembly	(1)	E.	0501213	Power Supply (EP.4481861)	(5)
	0058698	Fan Motor, Evaporator (MO.4410102)		F.	LED Canopy Fixture		(6)
	0142780	Fan Blade (FB.0142780)			<i>Replace with like fixtures — See Page 5.</i>		
	<b>7W Energy Efficient</b>	Fan Assembly	(1)	G.	LED Shelf Fixture		(7)
	0477654	Fan Motor, Evaporator (MO.4410545)			<i>Replace with like fixtures — See Page 5.</i>		
	0142780	Fan Blade (FB.0142780)					

Note: Revision D adds Btu note (page 3), EcoShine LED (page 4) and parts (page 5), and revises canopy wiring diagram (page 6). Other changes marked by bar, underline or circle.



# Engineering Plan Views

## Ultra Low Front Dairy & Delicatessen

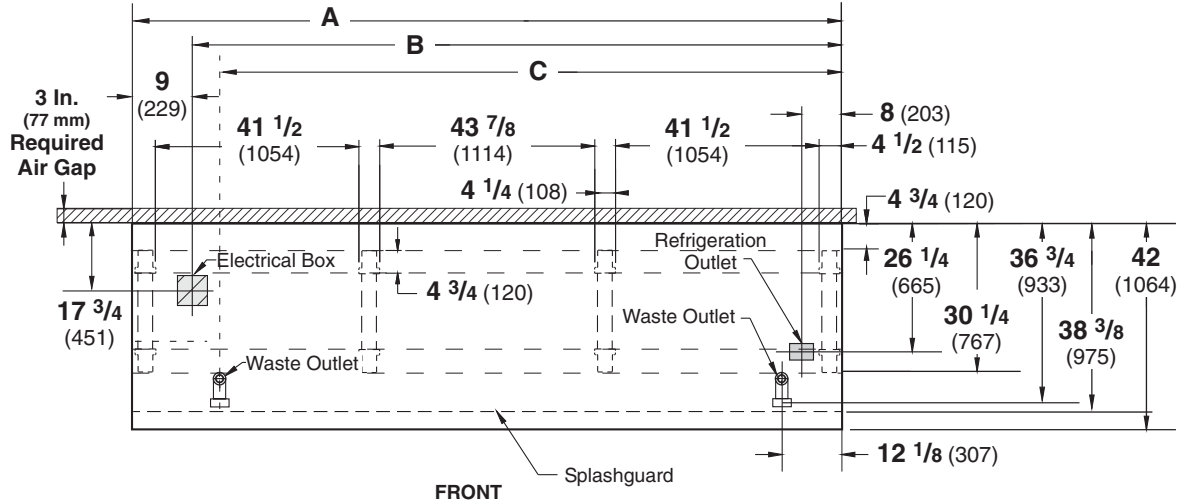
07-2007

### PHYSICAL DATA

Merchandiser Drip Pipe (in.)	1 1/4
Merchandiser Liquid Line (in.)	3/8
Merchandiser Suction Line (in.)	7/8

Dimensions shown as in. and (mm).

**D5X**

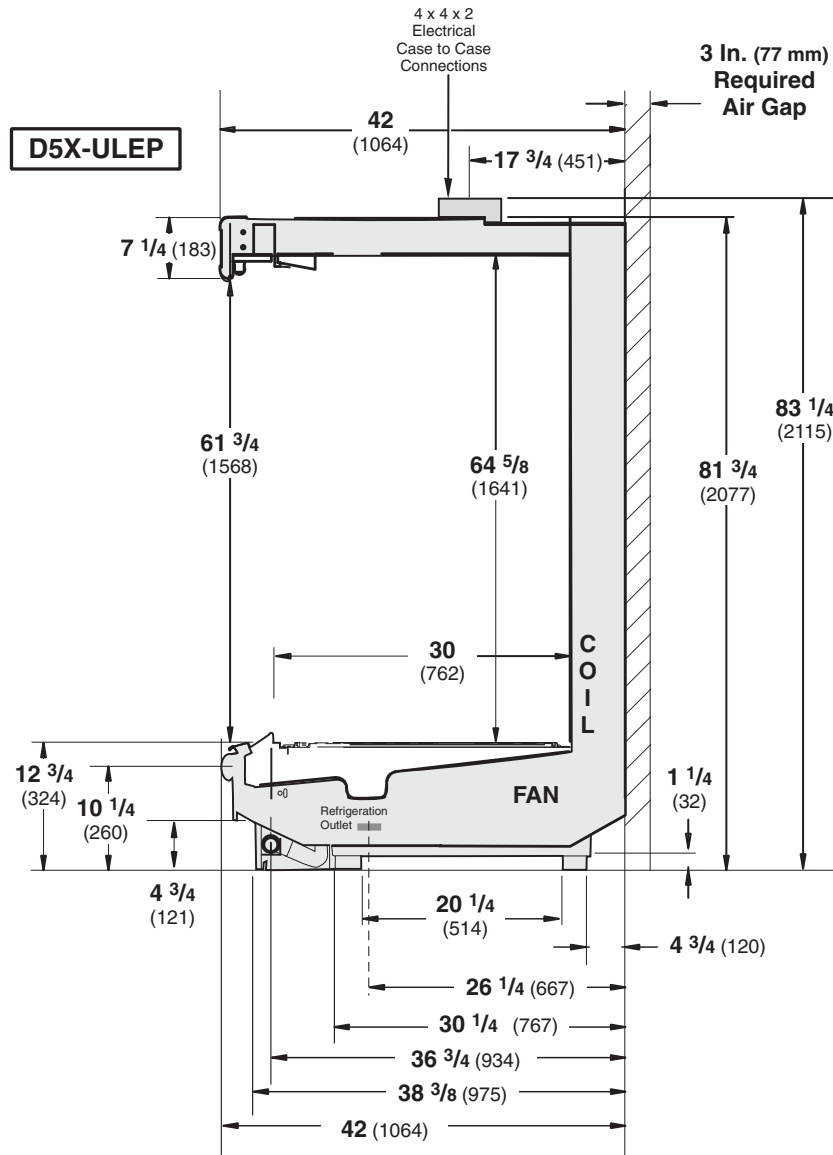


**Note: ALL FIELD WIRING CONNECTION POINTS ARE ABOVE THE CASE.**  
Case to case connections are made in the electrical box at the top of the case.

	4 ft	6 ft	8 ft	12 ft
<b>General</b>				
<b>(A)</b> Case Length ( <i>without ends or partitions</i> )	48 3/8 (1229)	72 3/8 (1838)	96 3/8 (2448)	144 1/2 (3670)
<i>(Each end and insulated partition adds 1 1/2 in. (38 mm) to case line up.)</i>				
Maximum O/S dimension of case back to front <i>(includes bumper)</i>	42 (1064)	42 (1064)	42 (1064)	42 (1064)
Back of case to front of splashguard	38 3/8 (975)	38 3/8 (975)	38 3/8 (975)	38 3/8 (975)
Back of case to O/S edge of front rails	30 1/4 (767)	30 1/4 (767)	30 1/4 (767)	30 1/4 (767)
Distance between edges of external rails and center rails	NA	29 1/2 (750)	41 1/2 (1054)	41 1/2 (1054)
Distance between edges of center rails	NA	NA	NA	43 7/8 (1114)
Distance between front rails and splashguard	8 (203)	8 (203)	8 (203)	8 (203)
<b>Electrical Service</b> <input checked="" type="checkbox"/> <i>(Electrical Field Wiring connection point located on top of case)</i>				
<b>(B)</b> RH End of case to center of 4 x 4 x 2 Electrical Box	39 3/8 (1000)	63 3/8 (1610)	87 3/8 (2219)	135 1/2 (3442)
Back of case to center of 4 x 4 x 2 Electrical Box	17 3/4 (451)	17 3/4 (451)	17 3/4 (451)	17 3/4 (451)
<b>Waste Outlets</b> <i>(One each end)</i> <input checked="" type="checkbox"/>				
<b>(C)</b> RH End of case to the center of LH waste outlet	36 1/4 (921)	60 1/4 (1530)	84 1/4 (2140)	132 3/8 (3363)
RH End of case to the center of RH waste outlet	12 1/8 (307)	12 1/8 (307)	12 1/8 (307)	12 1/8 (307)
Back O/S of case to center of waste outlets	36 3/4 (933)	36 3/4 (933)	36 3/4 (933)	36 3/4 (933)
Schedule 40 PVC drip pipe	1 1/4 (32)	1 1/4 (32)	1 1/4 (32)	1 1/4 (32)
<b>Refrigeration Outlet</b> <input type="checkbox"/>				
Back of case to center of refrigeration outlet	26 1/4 (665)	26 1/4 (665)	26 1/4 (665)	26 1/4 (665)
RH end of case to center of refrigeration outlet	8 (203)	8 (203)	8 (203)	8 (203)

Multi-deck, 6 Display Levels, Ultra Low Front

Dimensions shown as in. and (mm).



**ALL FIELD WIRING CONNECTION POINTS ARE ABOVE THE CASE.**

**NSF Certification**

This merchandiser model is manufactured to meet ANSI/NSF (National Sanitation Foundation) Standard #7 requirements for construction, materials & cleanability.

**Impact Excel D5X-ULEP Dairy & Delicatessen**

**REFRIGERATION DATA**

**Note:** This data is based on store temperature and humidity that does not exceed 75°F and 55% R.H.

D5X-ULEP*	UNLIT	LIT
Discharge Air °F	32	30
Evaporator °F	28	26
Unit Sizing °F	26	24

D5X-ULEP*	Btu/hr/ft <sup>‡</sup> — Unlit Shelves <sup>‡‡</sup>	
	Parallel	Conventional
D5X-ULEP*	1510	1590

\*Hussmann Peg Shelves are no longer recommended.

<sup>‡</sup>Optional energy efficient motors reduce the refrigeration load by 55 Btu/hr/ft.  
<sup>‡‡</sup> Add 10 Btu/hr/ft *per shelf row* for LED fixtures.  
 Add 20 Btu/hr/ft *per shelf row* for fluorescent lamps.

**DEFROST DATA**

Frequency Hr	6
Defrost Water (lb/ft/day)	10.5

(± 15% based on case configuration and product loading).

OFFTIME	D5X-ULEP
Time (minutes)	20
ELECTRIC OR GAS	Not Recommended

**CONVENTIONAL CONTROLS**

Low Pressure Backup Control	
CI/CO**	D5X-ULEP
	19°F / 9°F

**Indoor Unit Only, Pressure Defrost**

Termination**	48°F
---------------	------

\*\*Use a Temperature Pressure Chart to determine PSIG conversions.

**PHYSICAL DATA**

Estimated Charge **	D5X-ULEP		
4 ft	1.9 lb	30 oz	0.9 kg
6 ft	2.8 lb	45 oz	1.3 kg
8 ft	3.7 lb	59 oz	1.7 kg
12 ft	5.1 lb	82 oz	2.3 kg

\*\*This is an average for all refrigerant types. Actual refrigerant charge may vary by approximately half a pound.

# Impact *Excel* D5X-ULEP

## Dairy & Delicatessen

### Electrical Data

	4 ft	6 ft	8 ft	12 ft				
Number of Fans—12W	2	—	4	6				
Number of Fans—7W	—	4	—	—				
	Amperes				Watts			
	4 ft	6 ft	8 ft	12 ft	4 ft	6 ft	8 ft	12 ft
<b>Evaporator Fan</b>								
120V 60Hz Standard	1.30	2.00	2.60	3.90	100	156	200	300
120V 50Hz Standard	1.50	2.20	3.00	4.50	114	168	228	342
230V 60Hz Export	0.66	1.00	1.32	1.98	100	156	200	300
230V 50Hz Export	0.76	1.12	1.52	2.28	114	168	228	342
120V 60Hz Energy Efficient	0.60	0.76	1.20	1.80	36	56	72	108
230V 60Hz Energy Efficient	0.30	0.40	0.60	0.90	36	56	72	108
<b>Minimum Circuit Ampacity</b>								
120V 60Hz Standard	1.50	2.20	2.80	4.10				
120V 50Hz Standard	1.70	2.40	3.20	4.70				
230V 60Hz Export	0.86	1.20	1.52	2.18				
230V 50Hz Export	0.96	1.32	1.72	2.48				
120V 60Hz Energy Efficient	0.80	0.96	1.40	2.00				
230V 60Hz Energy Efficient	0.50	0.60	0.80	1.10				
<b>Maximum Over Current Protection 120V</b>	<b>20</b>	<b>20</b>	<b>20</b>	<b>20</b>				
Maximum Over Current Protection 230V	15	15	15	15				
<b>Standard Lighting (T-8 fluorescent)</b>								
1 Row Canopy	0.26	0.51	0.51	0.77	30	59	59	85
<b>Optional Lighting (T-8 fluorescent)</b>								
Additional 1 Row Canopy	0.26	0.51	0.51	0.77	30	59	59	85
Additional 2 Row Canopy	0.51	1.02	1.02	1.54	59	118	118	170
Additional 3 Row Canopy	0.77	1.53	1.53	2.31	89	177	177	255
1 Row Rail Light	0.26	0.51	0.51	0.77	30	59	59	85
5 Rows of Shelves	1.28	2.55	2.55	3.85	148	295	295	425
6 Rows of Shelves	1.53	3.06	3.06	4.62	177	354	354	510
<b>EcoShine Multi-deck — Normal CRI—120VAC, 50/60Hz</b>								
2 Row Canopy (Front & Rear)	0.28	0.41	0.55	0.82	33	49	66	98
5 Rows of Shelves	0.48	0.73	0.97	1.45	58	87	116	174
6 Rows of Shelves	0.58	0.88	1.17	1.74	70	105	140	209
<b>EcoShine Multi-deck — High CRI —120VAC, 50/60Hz</b>								
2 Row Canopy (Front & Rear)	0.32	0.47	0.63	0.93	38	56	75	112
5 Rows of Shelves	0.58	0.88	1.17	1.75	70	105	140	210
6 Rows of Shelves	0.70	1.05	1.40	2.10	84	126	168	252
<b>Always*Bright Multi-deck —120VAC, 50/60Hz</b>								
2 Row Canopy (Front & Rear)	0.38	0.55	0.71	1.08	45	66	85	130
5 Rows of Shelves	0.57	0.83	1.13	1.69	68	99	136	203
6 Rows of Shelves	0.67	0.96	1.33	2.00	80	115	160	240

120V Lighting Circuit Total = Standard Lighting + Total Optional Lighting + Optional Shelf Lighting

230V Lighting Circuit Total = Multiply 120V Lighting Circuit Total by 0.52

**Product Data**

<i>Recommended Usable Cube</i> <sup>1</sup> (Cu Ft/Ft)	9.97 ft <sup>3</sup> /ft (0.93 m <sup>3</sup> /m)
<i>AHRI Total Display Area</i> <sup>2</sup> (Sq Ft/Ft)	5.19 ft <sup>2</sup> /ft (1.58 m <sup>2</sup> /m)
<i>Shelf Area</i> <sup>3</sup> (Sq Ft/Ft)	9.87 ft <sup>2</sup> /ft (3.01 m <sup>2</sup> /m)

<sup>1</sup> AHRI Refrigerated Volume less shelving and other unusable space: Refrigerated Volume/Unit of Length, ft<sup>3</sup>/ft [m<sup>3</sup>/m]

<sup>3</sup> Computed using AHRI 1200 standard methodology: Total Display Area, ft<sup>2</sup> [m<sup>2</sup>]/Unit of Length, ft [m]

<sup>3</sup> Shelf surface area is composed of bottom deck plus standard shelf complement, as shown in the Hussmann *Product Reference Guide*. The standard shelf complement for this model is (5) rows of 22-inch shelves.

<b>ESTIMATED SHIPPING WEIGHT <sup>4</sup></b>					
Case	<i>4 ft</i>	<i>6 ft</i>	<i>8 ft</i>	<i>12 ft</i>	Solid End
					<i>(each)</i>
<b>lb (kg)</b>	800 (363)	1000 (454)	1200 (544)	1600 (726)	100 (45)

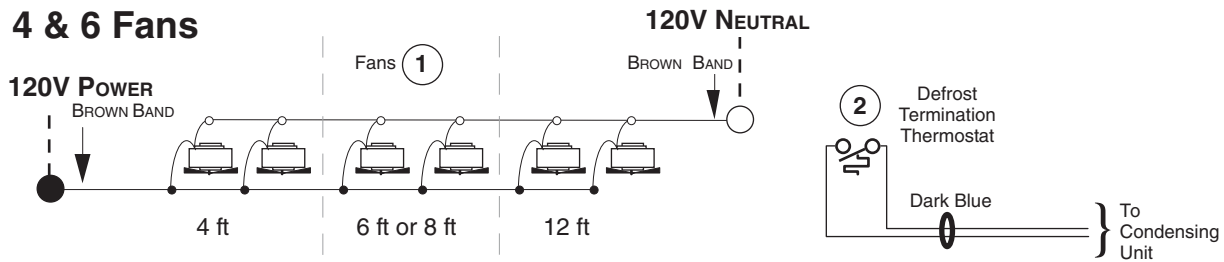
<sup>4</sup> Actual weights will vary according to optional kits included.

<b>PARTS LIST (Continued from Page 1)</b>								
Item	Part #	Description			Item	Part #	Description	
<b>LED FIXTURES AND POWER SUPPLY</b>								
E.	0501213	Power Supply (EP.4481861)		(5)	F.	<b>(CONTINUED) EcoShine LED Canopy Fixture</b>		
F.	<b>EcoShine LED Canopy Fixture</b>			(6)	4441713	Rear	36-inch	<b>2900K</b> HCRI
	4441720	Front	48-inch	<b>2900K</b> HCRI	4441715	Rear	36-inch	<b>3500K</b> HCRI
	4441722	Front	48-inch	<b>3500K</b> HCRI	4441717	Rear	36-inch	<b>3500K</b>
	4441724	Front	48-inch	<b>3500K</b>	4441719	Rear	36-inch	<b>4100K</b>
	4441726	Front	48-inch	<b>4100K</b>	G.	<b>EcoShine LED Shelf Fixture</b>		
	4441721	Rear	48-inch	<b>2900K</b> HCRI	4441590	48-inch	<b>2900K</b> HCRI	(7)
	4441723	Rear	48-inch	<b>3500K</b> HCRI	4441591	48-inch	<b>3500K</b> HCRI	
	4441725	Rear	48-inch	<b>3500K</b>	4441592	48-inch	<b>3500K</b>	
	4441727	Rear	48-inch	<b>4100K</b>	4441593	48-inch	<b>4100K</b>	
	4441712	Front	36-inch	<b>2900K</b> HCRI	4441586	36-inch	<b>2900K</b> HCRI	
	4441714	Front	36-inch	<b>3500K</b> HCRI	4441587	36-inch	<b>3500K</b> HCRI	
	4441716	Front	36-inch	<b>3500K</b>	4441588	36-inch	<b>3500K</b>	
	4441718	Front	36-inch	<b>4100K</b>	4441589	36-inch	<b>4100K</b>	

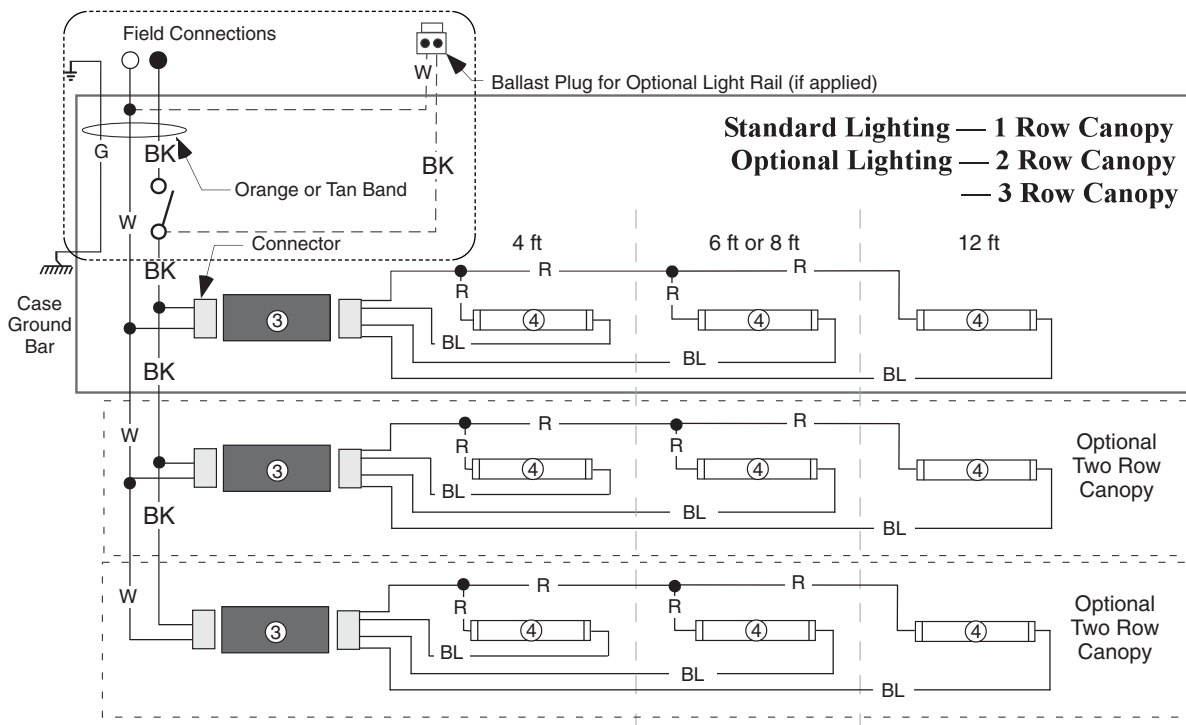
Note: Always\*Bright lamps will be replaced with the latest generation of EcoShine lamps.

# Fan Wiring Offtime Defrost

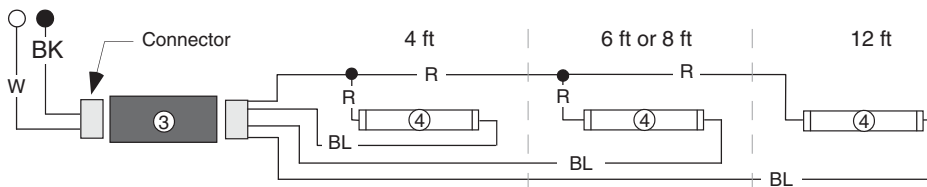
## 4 & 6 Fans



# Canopy Light Circuits— Fluorescent Fixtures



## Optional Lighting — 1 Row Rail



### WARNING

All components must have mechanical ground, and the merchandiser must be grounded.

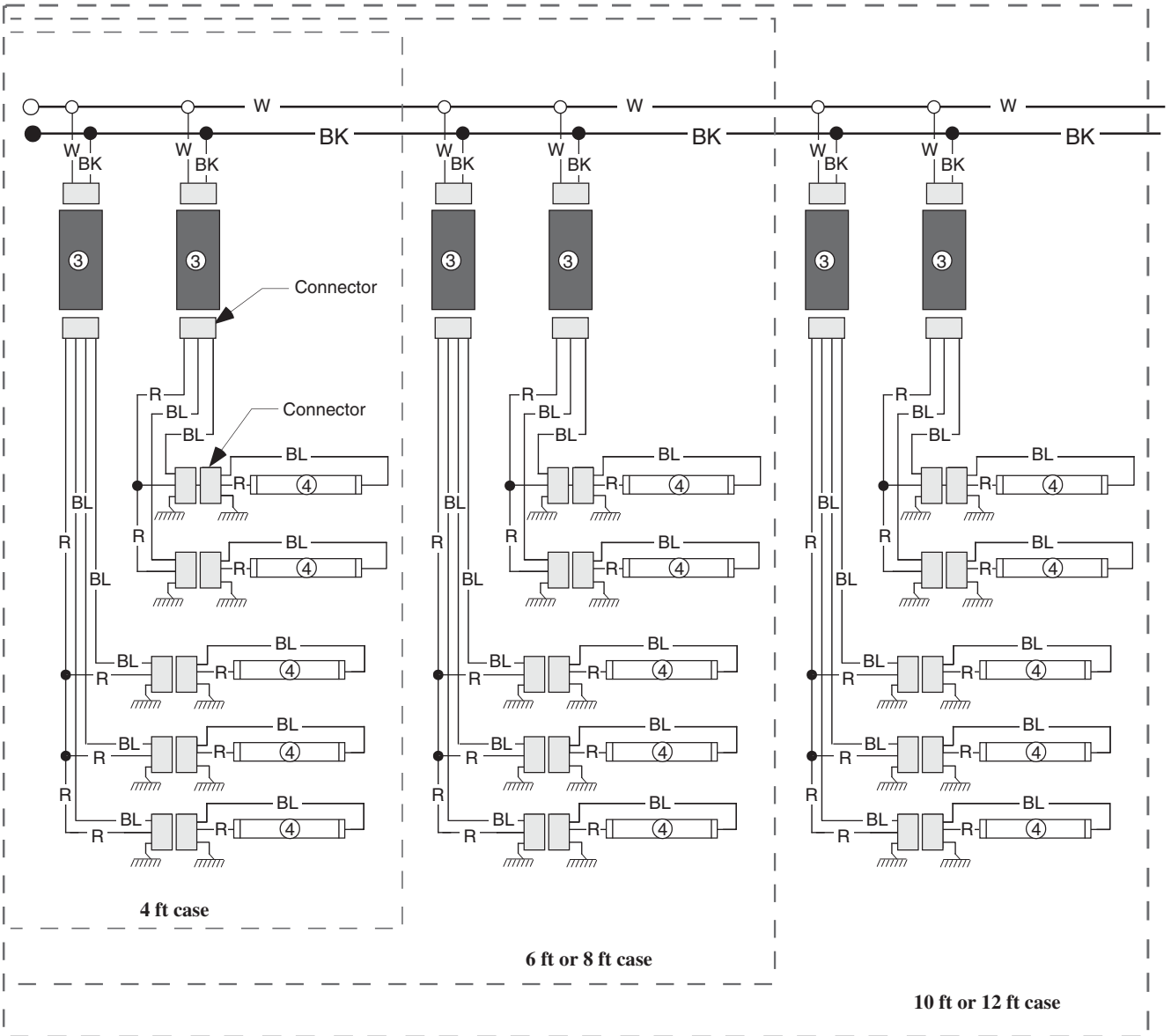
CIRCLED NUMBERS = PARTS LIST ITEM NUMBERS

R = Red    Y = Yellow    G = Green    BL = Blue    BK = Black    W = White

● = 120V POWER    ○ = 120V NEUTRAL    ⏏ = FIELD GROUND    ⏏ = CASE GROUND

# Optional Shelf Lighting Fluorescent Fixtures

## Optional Shelf Harness and Light Circuits for Five Rows of Shelves



### WARNING

All components must have mechanical ground, and the merchandiser must be grounded.

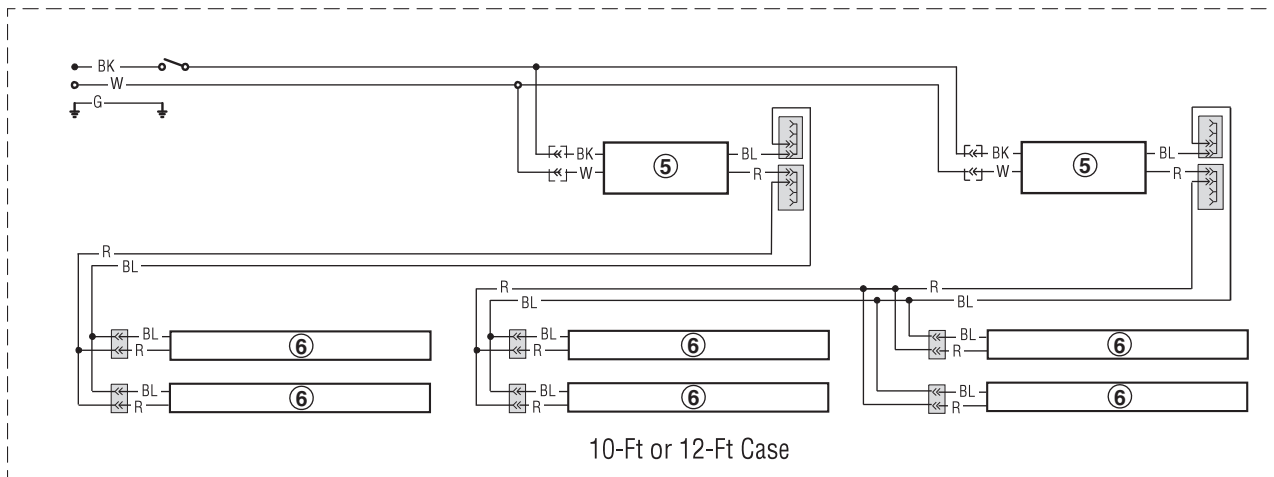
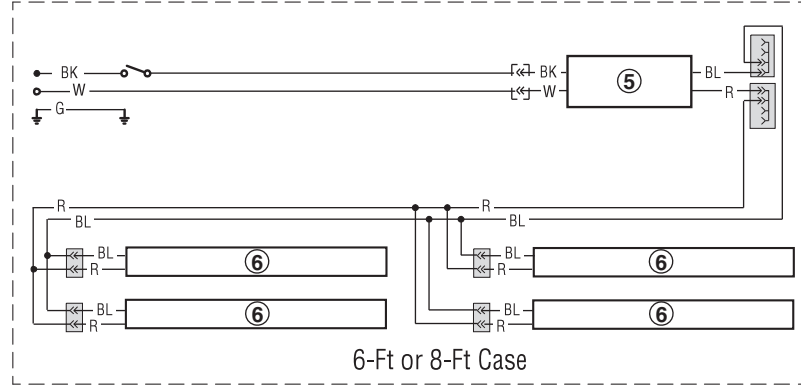
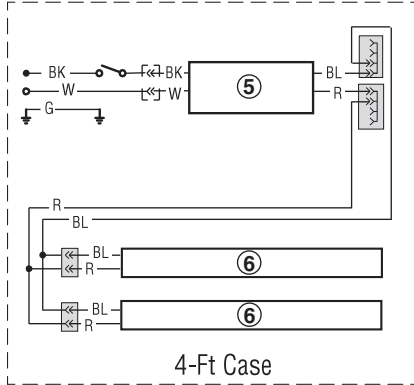
CIRCLED NUMBERS = PARTS LIST ITEM NUMBERS

R = Red    Y = Yellow    G = Green    BL = Blue    BK = Black    W = White

● = 120V POWER    ○ = 120V NEUTRAL    ⊥ = FIELD GROUND    ≡ = CASE GROUND

# Optional Canopy Lighting LED Fixtures

## Standard LED Canopy Lighting — 2 Row Canopy



### WARNING

All components must have mechanical ground, and the merchandiser must be grounded.

CIRCLED NUMBERS = PARTS LIST ITEM NUMBERS

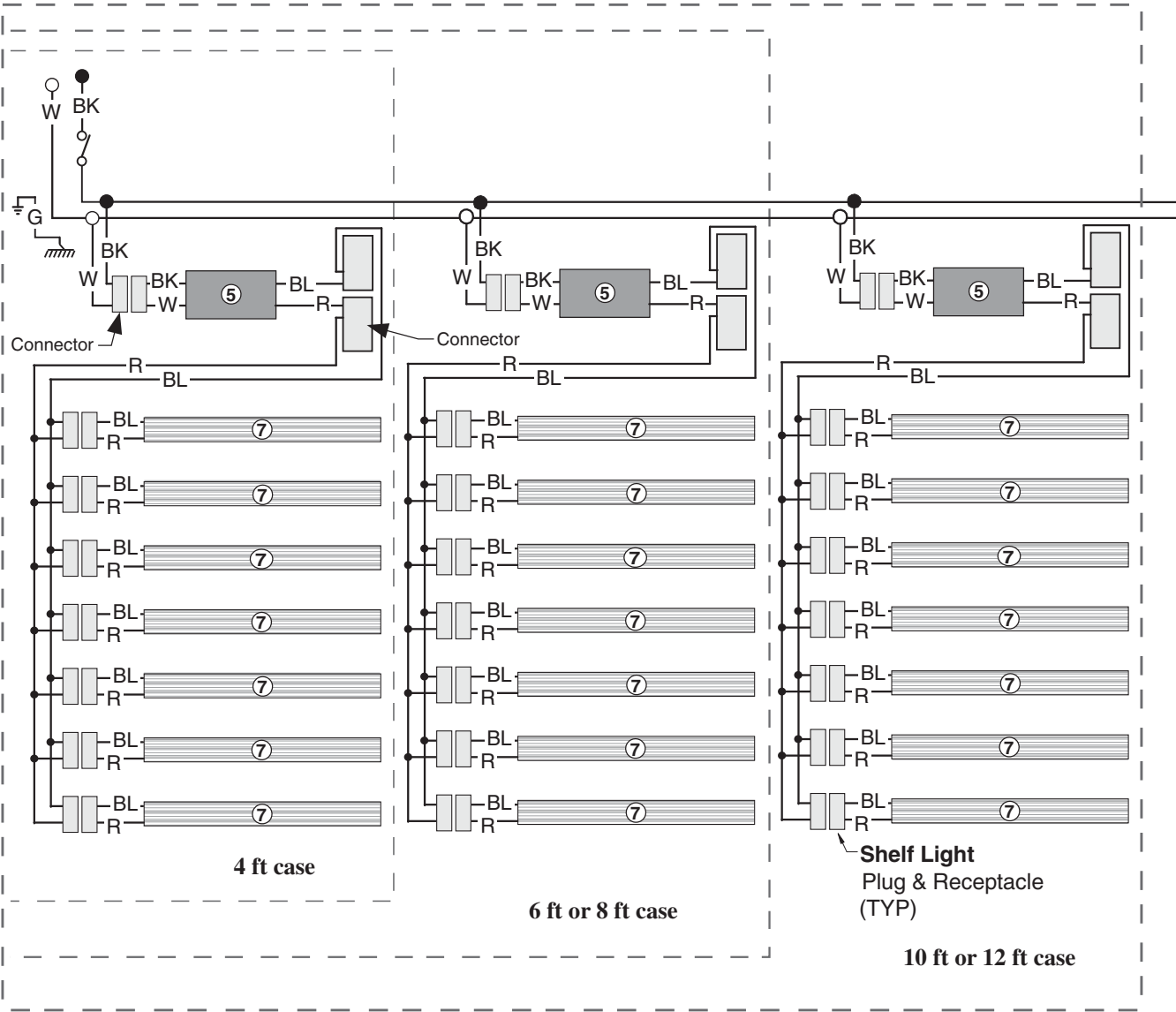
R = Red Y = Yellow G = Green BL = Blue BK = Black W = White

● = 120V POWER ○ = 120V NEUTRAL ⊥ = FIELD GROUND  $\overline{\overline{m}}$  = CASE GROUND



# Optional LED Shelf Lighting

## Optional Shelf Harness and LED Light Circuits for 3, 4, 5, 6 & 7 Rows of Shelves



**WARNING**

All components must have mechanical ground, and the merchandiser must be grounded.

CIRCLED NUMBERS = PARTS LIST ITEM NUMBERS

R = Red      G = Green      BL = Blue      BK = Black      W = White

● = 120V POWER      ○ = 120V NEUTRAL      ⊥ = FIELD GROUND      *mm* = CASE GROUND