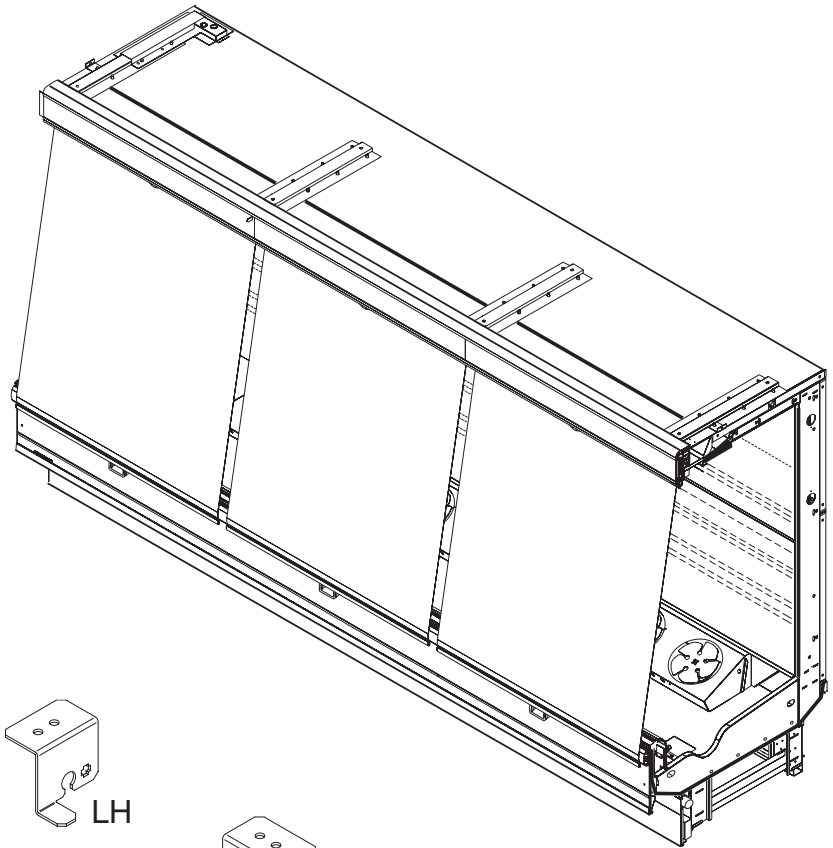


HUSSMANN®

Excel

**Night Curtain
with Internal Brake**
for **Excel Medium Temperature
Multi-deck Cases with Standard Canopy**

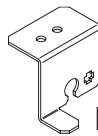
Illustration depicts an M3X-12EP with
three Night Curtains installed.



PARTS LIST (per curtain)

| Item | Quantity | Description |
|------|----------|-------------|
|------|----------|-------------|

- | | | |
|----|---|--|
| 1. | | Night Curtain Brackets (<i>Factory Installed</i>) |
| | 1 | Left-hand |
| | 1 | Right-hand |

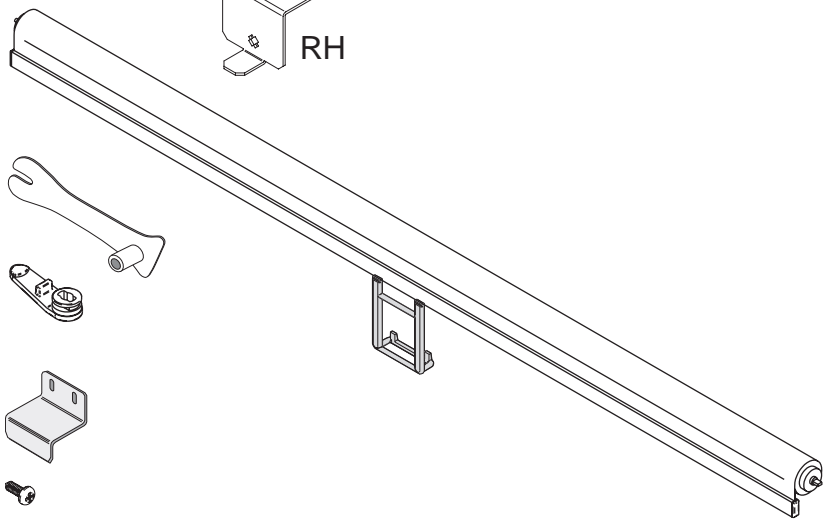


LH

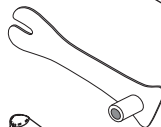


RH

- | | | |
|----|---|---------------|
| 2. | 1 | Night Curtain |
|----|---|---------------|



- | | | |
|----|---|--------|
| 3. | 1 | Wrench |
|----|---|--------|



- | | | |
|----|---|--------------|
| 4. | 1 | Spindle Lock |
|----|---|--------------|



- | | | |
|----|---|-------------|
| 5. | 1 | Handle Hook |
|----|---|-------------|



- | | | |
|----|---|------------------|
| 6. | 2 | Screw (#6 x 3/8) |
|----|---|------------------|



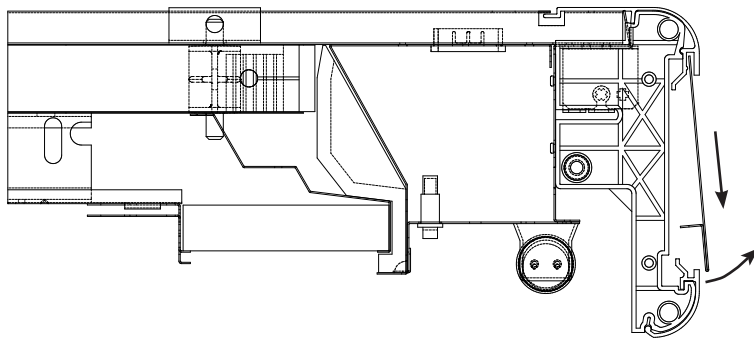
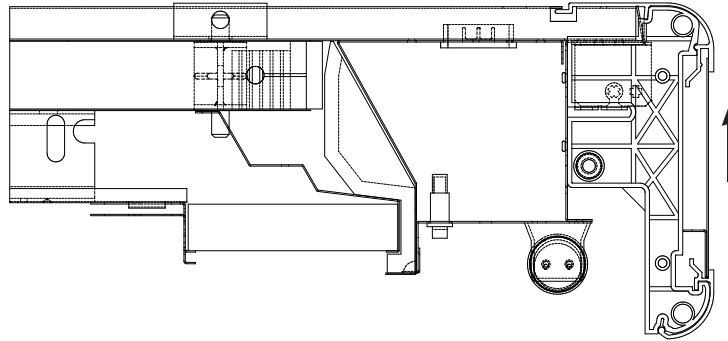
P/N 0500175_C
September 2018

Notes: Night curtains are intended to reduce energy use outside normal business hours.

Carefully unpack and inspect the night curtain and components to ensure there is no breakage or damage, and there are no missing parts.

Be sure cases have been positioned and leveled according to installation instructions. Install night curtains after all cases are joined, and splash-guards and bumpers are installed.

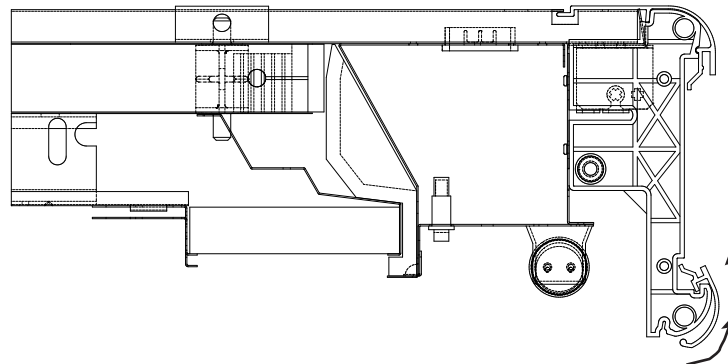
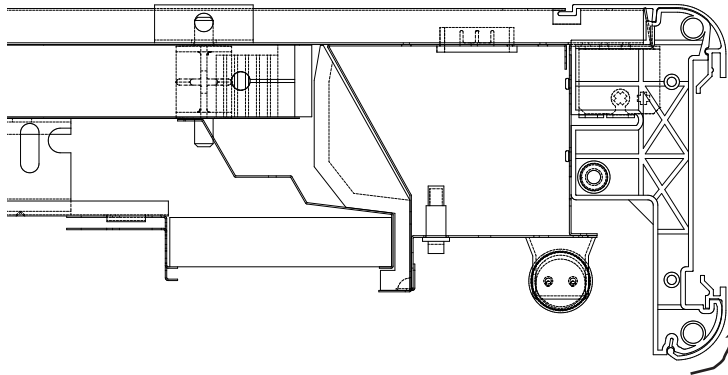
1 Remove the left fascia panel first, then remove the fascia panel to the right of the first panel. Continue until all fascia panels are removed.



2 Remove the bottom canopy extrusion:

A. Rotate the bottom edge of extrusion to unsnap it from the supports.

B. Lift extrusion up to remove.



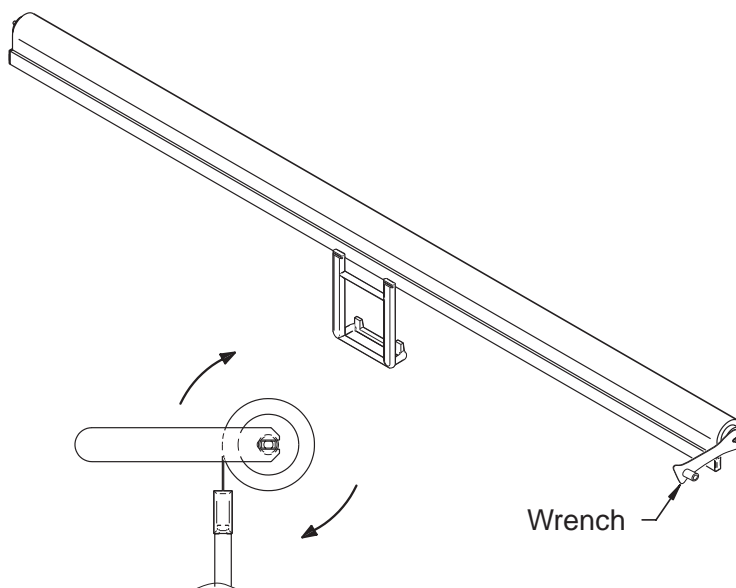
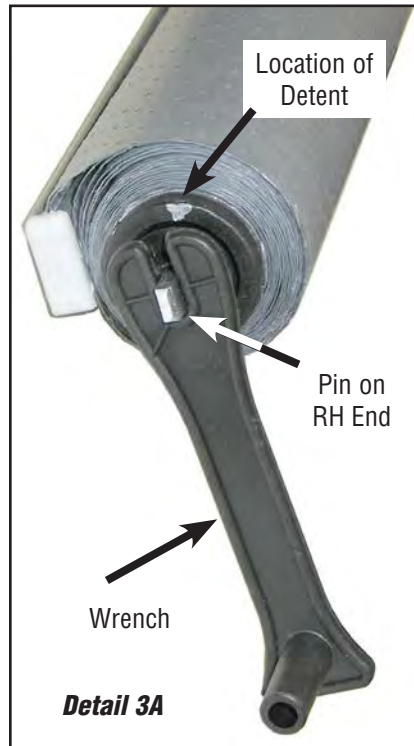
Note: Night Curtain Brackets (parts list Item 1) **are factory-installed.**

3 Verify spring tension in the **Night Curtain** (parts list Item 2).

The night curtain spring is properly tensioned at the time of shipment but may unwind due to vibration or rough handling.

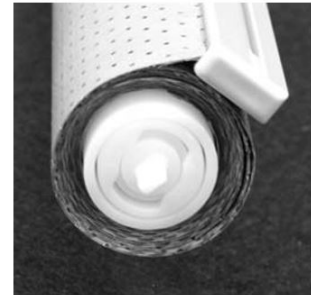
To tension the spring, use the supplied **Wrench** (parts list Item 3) on the rectangular pin on the RH end of the curtain (as shown in Detail 3A), then make 10 to 12 full clockwise revolutions.

After passing the detent, gently tap on the end. Slowly release pressure against the spring until the wrench stops, then remove the wrench. Handle tensioned curtain carefully.



! WARNING

Make sure the curtain is the internal brake style.



With Internal Brake (LH End)

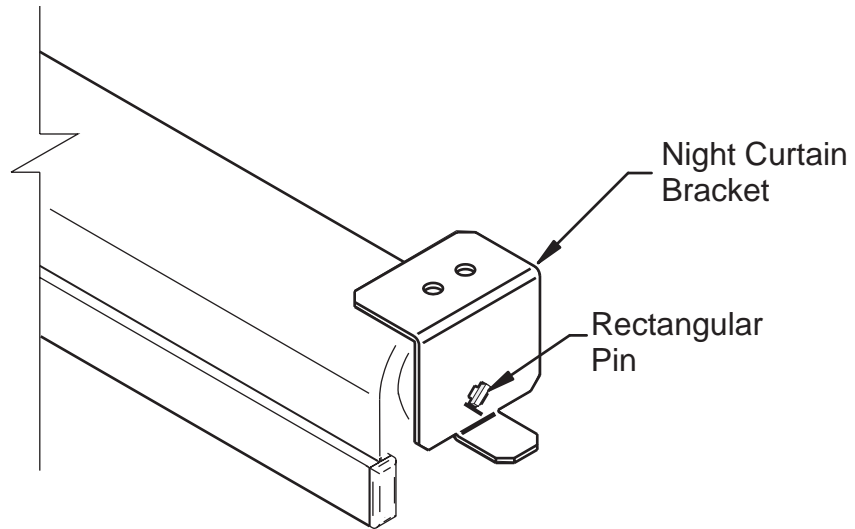
Old style has no brake. Uncontrolled release can lead to personal injury or equipment damage.



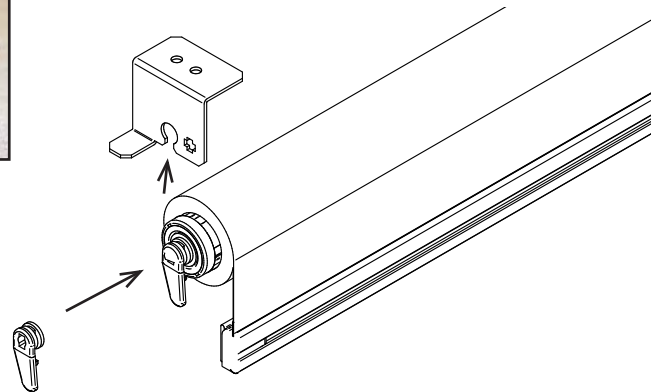
OLD STYLE —NO BRAKE (RH End)



- 4** Place the rectangular pin of the night curtain into the cross shaped opening of the right-hand bracket.



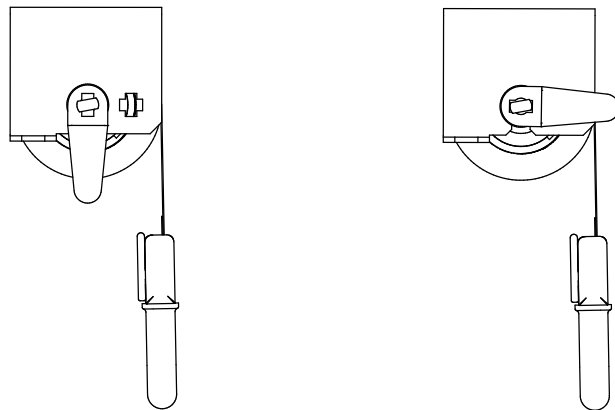
- 5** Put the **Spindle Lock** (parts list **Item 4**) on the spindle of the night curtain. The spindle is on the left end of the night curtain. Put the spindle lock in place by sliding it into the keyhole slot of the left bracket and turning the spindle lock 90 degrees as shown in the illustration and Detail 5A.



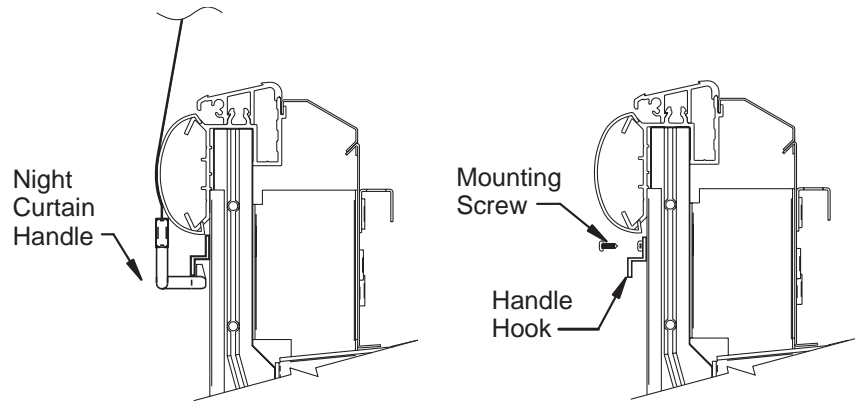
Test tension of spring and adjust if needed before moving to next step. (Remove spindle lock and remove night curtain from case. Return to Step 3.)

Note: *Spindle Lock will be very stiff in cold temperatures or when new.*

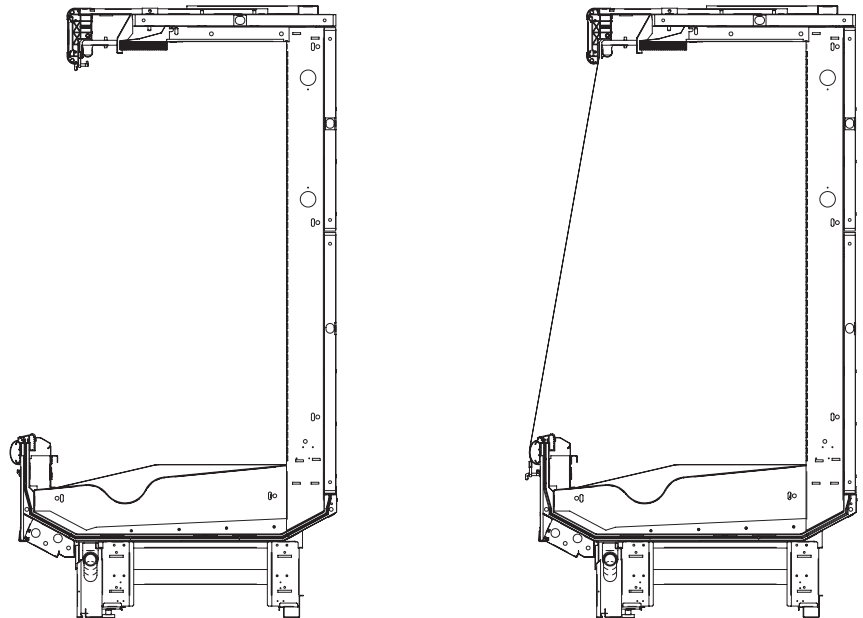
Spring tension cannot be adjusted without removing the curtain from the case.



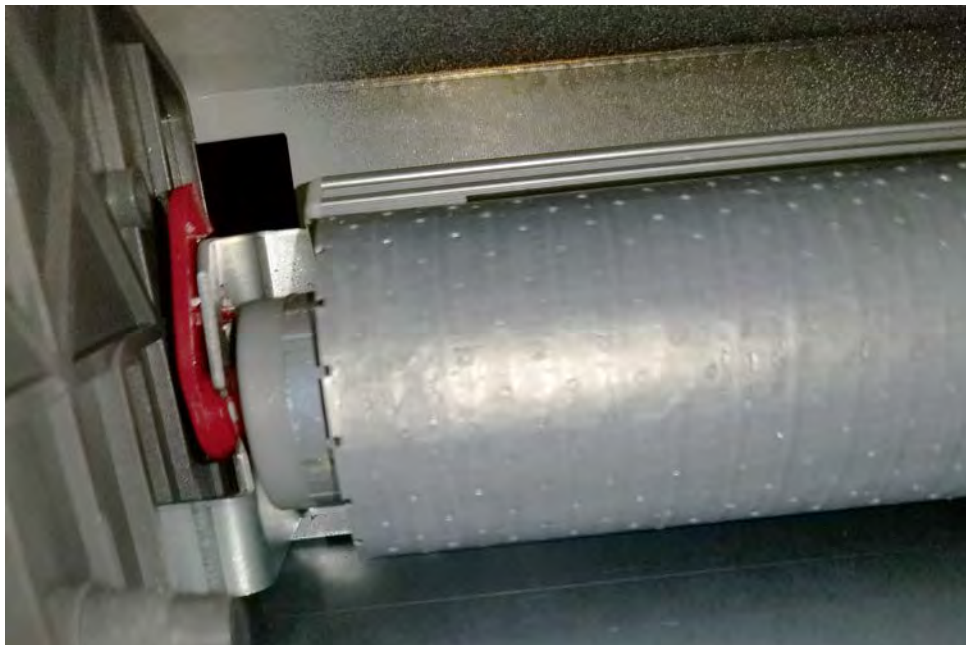
6 Mount the **Handle Hook** (parts list **Item 5**) below the front bumper. Pull the night curtain down and put the hook on the handle to position the hook. Mark the mounting hole locations and drill pilot holes for the **Mounting Screws** (parts list **Item 6**). Mount the Handle Hook with the Mounting Screws.



7 Reinstall the bottom canopy extrusion and the fascia panels removed in Steps 1 and 2.



Once the Night Curtain installation is complete, spring tension cannot be adjusted without removing the curtain from the case.



Installed Night Curtain with Spindle Lock Inside LH Mounting Bracket