

HUSSmann®

***OPTIONAL
MOTION ACTIVATED
LED DIMMER CONTROL***

FOR REACH-IN GLASS DOORS

AND MULTI-DECK MERCHANDISERS

***INSTALLATION AND
OPERATION MANUAL***

Parts List

Item	Quantity	Description
1.	1	Motion Detector
2.	1	Motion Detector Cover
3.	1	Motion Detector Mounting Bracket
4.	2	Screw Self-Tapping Hex Head 6-32 x ⁵ / ₈ in.

REVISION HISTORY

REVISION A

1. Original Issue Nov. 2008

ANSI Z535.5 DEFINITIONS



• **DANGER** – Indicate[s] a hazardous situation which, if not avoided, will result in death or serious injury.



• **WARNING** – Indicate[s] a hazardous situation which, if not avoided, could result in death or serious injury.



• **CAUTION** – Indicate[s] a hazardous situation which, if not avoided, could result in minor or moderate injury.

• **NOTICE** – *Not related to personal injury* – Indicates[s] situations, which if not avoided, could result in damage to equipment.

**IMPORTANT
KEEP IN STORE FOR FUTURE REFERENCE**

Quality that sets industry standards!

12999 St. Charles Rock Road • Bridgeton, MO 63044-2483

U.S. & Canada 1-800-922-1919 • Mexico 1-800-522-1900

www.hussmann.com

© 2008 Hussmann Corporation

GENERAL INFORMATION

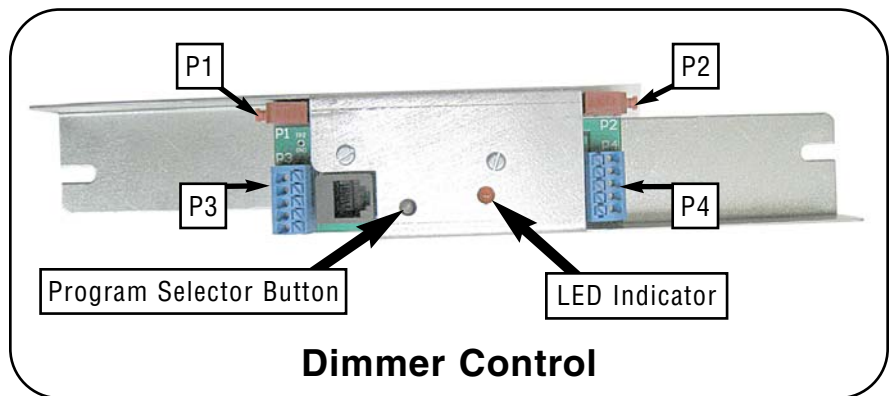
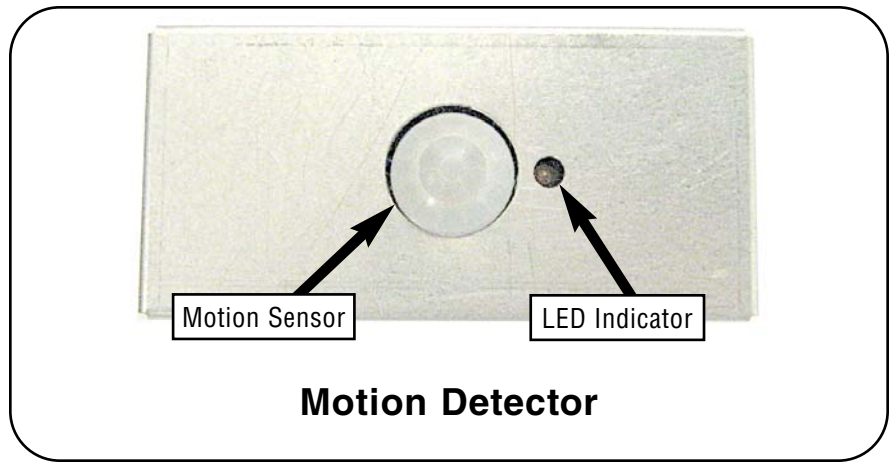
The HUSSMANN® Motion Activated LED Dimmer Control regulates the brightness of the merchandiser's LED lighting. A passive infrared motion detector located on the top front center of merchandisers or on the wall for wall mounts, detects the presence of approaching individuals.

NOTE: THE MOTION DETECTOR IS AVAILABLE IN GRAY, BLACK AND PEARL.

A signal is passed to the dimmer control, which is connected to the LED lighting power supply.

The dimmer control receives a signal from the motion detector and adjusts the brightness of the merchandiser's LED lights accordingly.

The amount of LED brightness emitting from the merchandiser lights can be modulated from 100% to 0%, 20% or 50% as selected by the installer. The Motion Activated Dimmer Control regulates the application of power to the LED lighting and is powered by a LED 24vdc power supply.



CAUTION

To avoid overheating and possible damage to other equipment, **DO NOT** use dimmers to control receptacles, or fluorescent lighting fixtures.

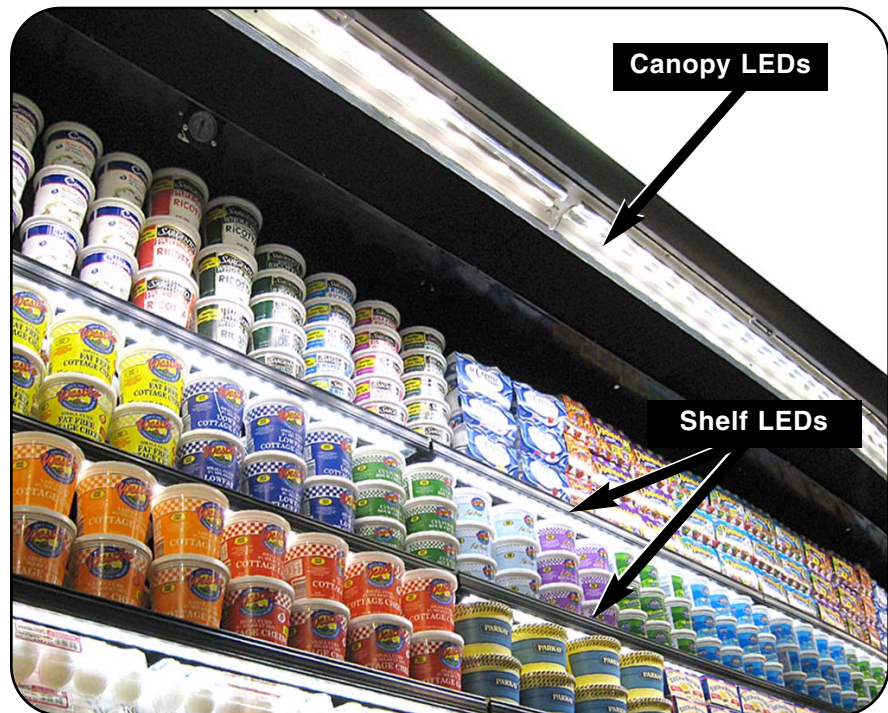
OPERATION

When power is first applied to the Motion Activated LED Dimmer Control, The LED Indicator flashes two times and the LED lights are set to dim at 20%. The dimmer control can be set to dim the LED lights to 0%, 20% and 50% respectively.

The dimmer level remains at 20% for five seconds, and is then elevated to 100%. After one minute, the motion detector “learns” the background environment. During this time, the output will remain at 100%. If no motion is detected after 30 seconds, the LED brightness will dim to the selected output minimum from the dimmer control.

This dimming takes place over a period of three seconds as the lighting is reduced from 100% to the selected minimum as programmed on the dimmer control. The minimum setting can be set to 0% (off), 20% (default setting), or 50%.

When motion is detected again, the LED brightness will increase to 100% over one second. Lighting will again remain at 100% until 30 seconds of no detected motion.



D6X Multi-deck Merchandiser



RL Merchandiser

PROGRAM DIMMER CONTROL

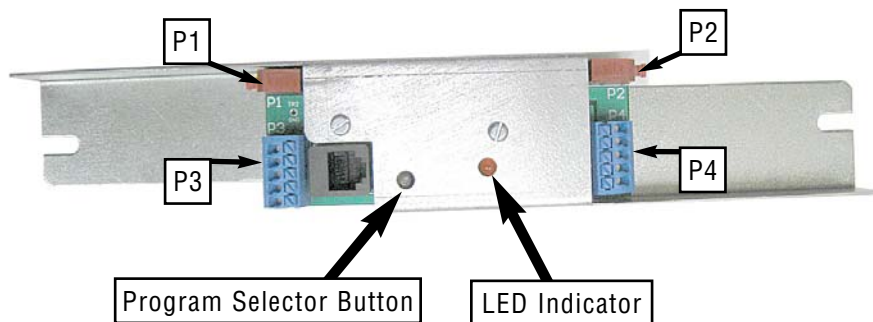
The Motion Activated LED Dimmer Control is factory installed and set to 20% minimum LED brightness. The dimmer control is located near the merchandiser's LED lighting power supplies. This may require the installer to remove the case bumper and front panel to access the wireway or to open the canopy lamp panel. Locate the dimmer control. Press and hold the program selector button on the dimmer control for three seconds. This enters the Motion Activated LED Dimmer Control's program mode. The LED on the dimmer control will flash four times.

From program mode, press the program selector button one time, and the LED on the dimmer control will flash one time. Case LEDs will turn off. The case LED lights are now set to dim to 0% minimum.

From program mode, press the program selector button twice, and the LED on the dimmer control will flash two times, Case LEDs will illuminate to 20%. The case LED lights are now set to 20% minimum.

From program mode, press the program selector button three times, and the LED on the dimmer control will flash three times. Case LEDs will illuminate to 50%. The LED lights are now set to 50% minimum. Program mode times out after 30 seconds. (This is the only way to exit program mode.) After 30 seconds, the case LEDs will illuminate to 100% to indicate exit from program mode.

NOTE: Dimmer Control is factory set to 20% minimum LED brightness.



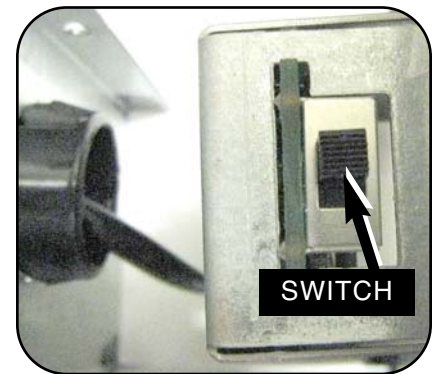
Dimmer Control

MOTION DETECTOR SWITCH

A switch on the side of the motion detector has two settings ON and DIM.

When the switch is set to ON, the merchandiser LEDs will power to 100%, bypassing the motion sensor.

The motion sensor will operate normally when the switch is set to DIM.



**Dimmer Switch in
"ON" position.**

NOTE:
Do not paint motion detector. Painting motion detector may cause overheating, or loss of motion sensing capability.

Do not mount motion detector in outdoor areas.

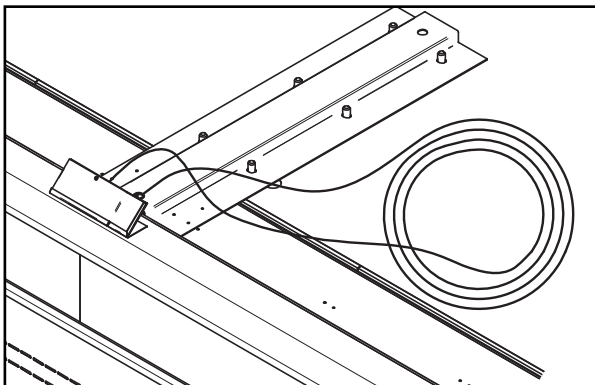
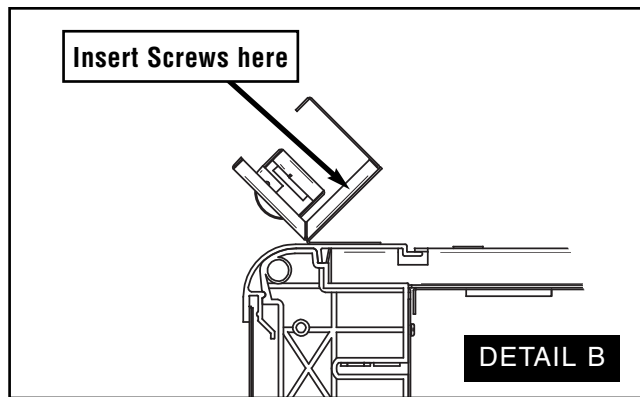
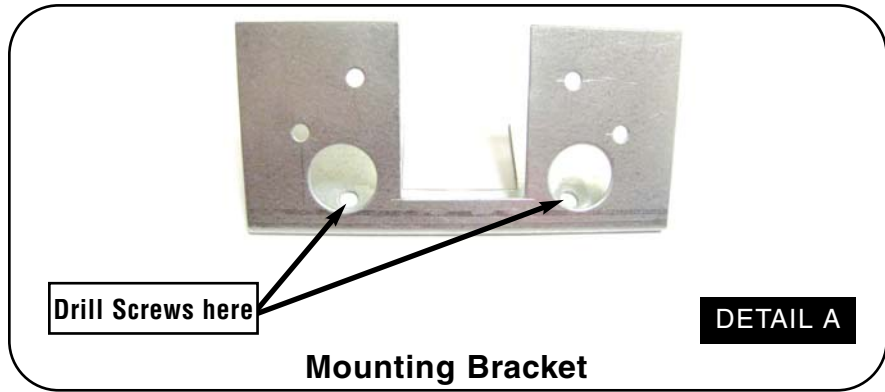
**INSTALLATION
INSTRUCTION FOR
MULTI-DECK CASES**

1. **DISCONNECT POWER TO THE MERCHANDISER.** Remove all packaging materials, and check parts list. Place mounting bracket at top, front center of canopy. **The bracket mounts 1 1/4 in. from the front edge of the canopy.** Mark canopy bracket screw locations using the bracket holes as a reference.

2. Drill two self-tapping sheet metal screws (**Item 4**) through mounting bracket into the top of the case canopy. Secure mounting bracket in place. (See **Detail A** for mounting screw locations).

3. Remove motion detector cover. The factory installed RJ-11 connector cord can be found on top of case.

4. Mount motion detector to mounting bracket using screws as shown in **Detail B**. Replace cover.



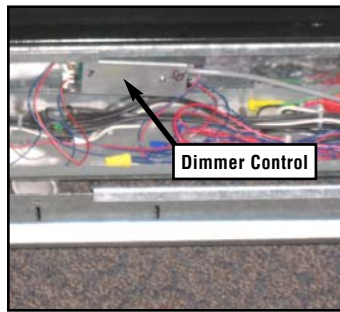
⚠ WARNING

— LOCK OUT / TAG OUT —

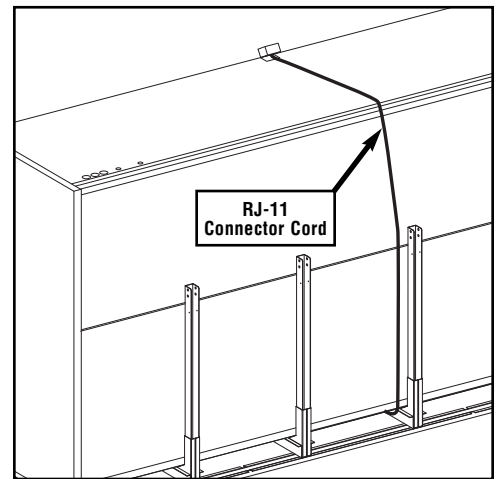
To avoid serious injury or death from electrical shock, always disconnect the electrical power at the main disconnect when installing, servicing or replacing any electrical component. This includes, but is not limited to, such items as dimmer controls, doors, lights, fans, heaters, and thermostats.

**INSTALLATION
INSTRUCTION FOR
REACH-IN CASES**

Motion Activated LED Dimmer Control Installation instructions for reach-in cases are similar to multi-deck cases. The factory-installed RJ-11 connector cord is positioned from the top to the back of the case and underneath case to front wireway on RL/RLN case models. Dimmer Control may be accessed by removing the bumper and front panel for RL/RLN merchandisers.

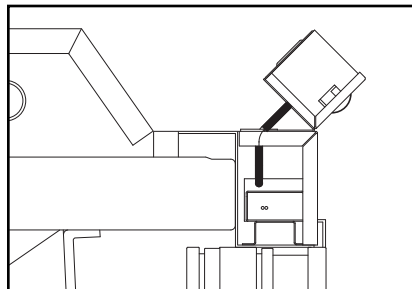


**Dimmer Control in RL
front Wireway near Floor**

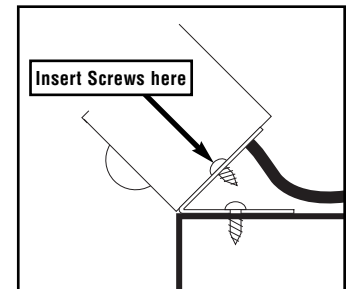


**20ft RJ-11 Connector Cord
Installed on RL Case**

For RLT cases, the factory installed RJ-11 cord is routed through a knockout recess at the top front center of the case, and the Dimmer Control is located in the canopy wireway. The motion detector bracket is to be mounted at the top front center edge of the case for all RL case models.



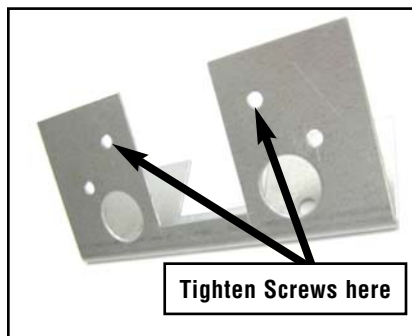
**Motion Detector Installed
on RLT Case**



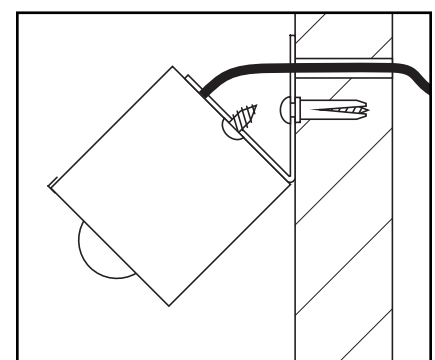
**Motion Detector Installed
on RL Case**

**INSTALLATION
INSTRUCTION FOR
WALL MOUNTS**

The motion detector can be mounted on most hard surfaces. Select a mounting location for the bracket. Use the bracket for reference, and mark the screw locations on the wall with a marker. Insert appropriate wall anchor, (depending on type of wall surface), and attach with two screws (not provided).



**Bracket Hole Locations for
Motion Detector**

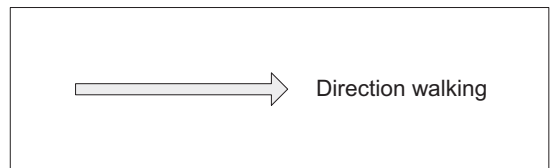
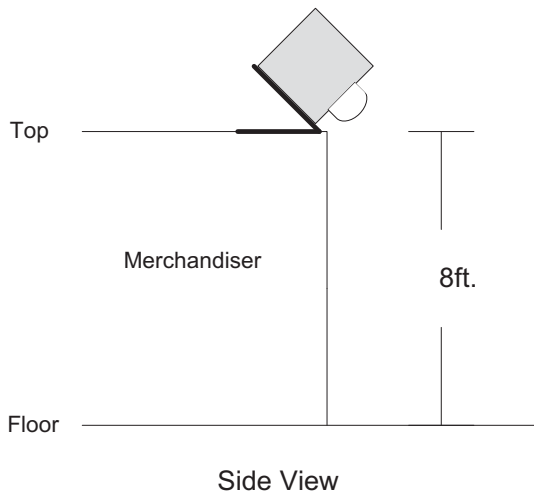
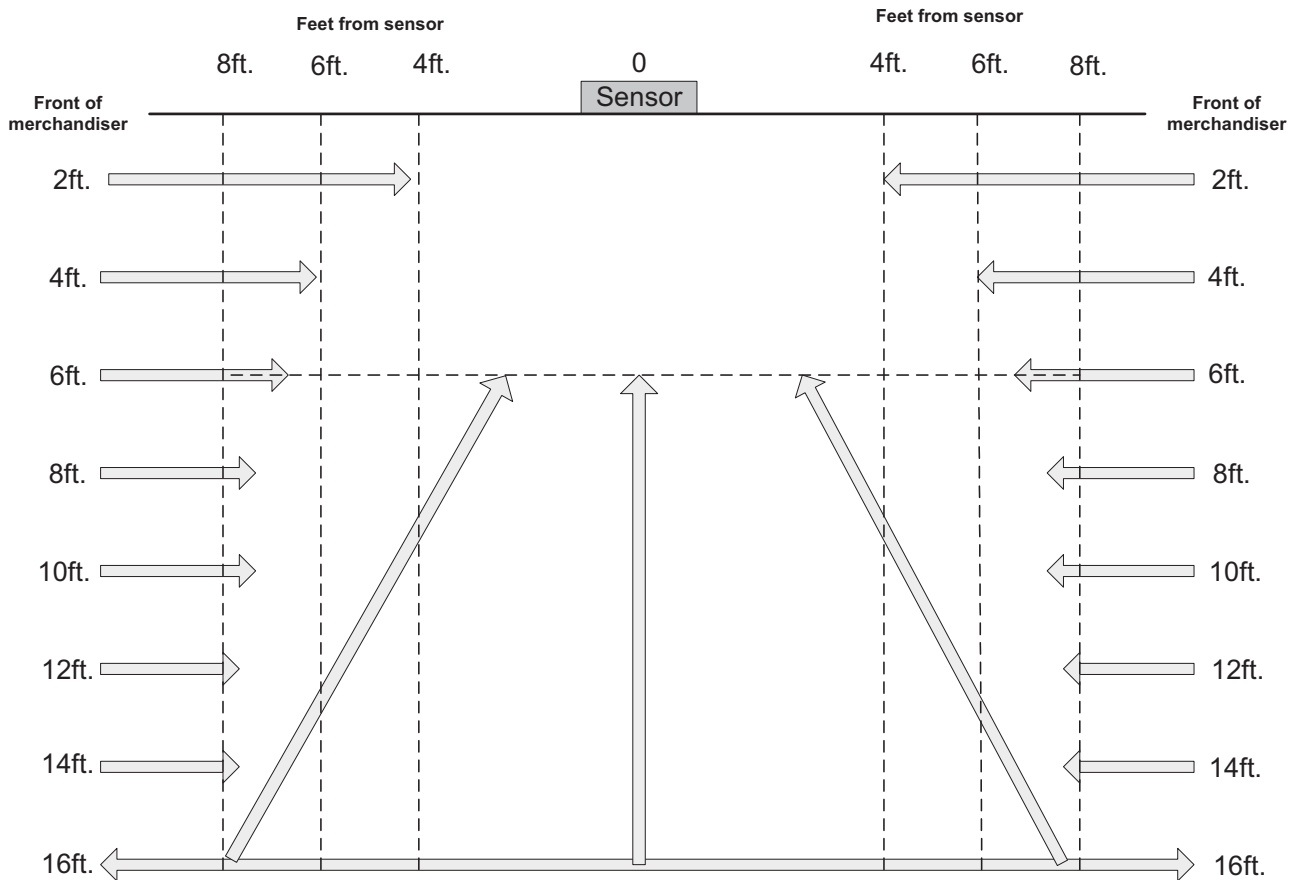


**Motion Detector
Mounted on Wall**

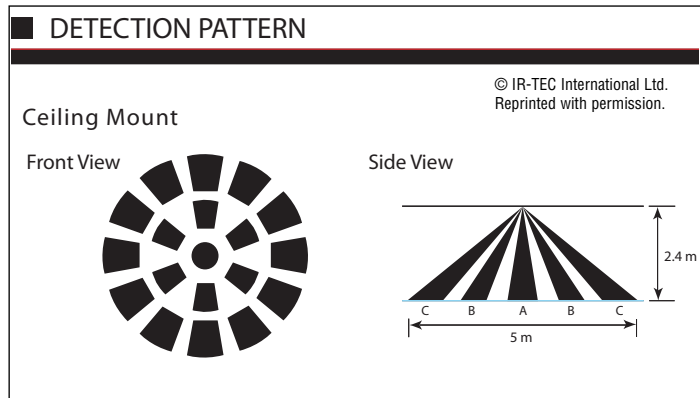
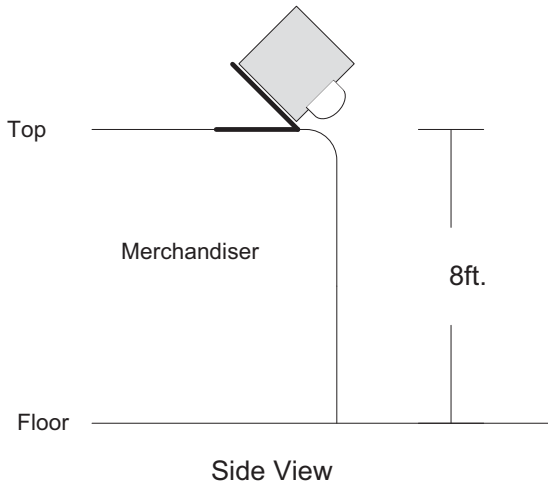
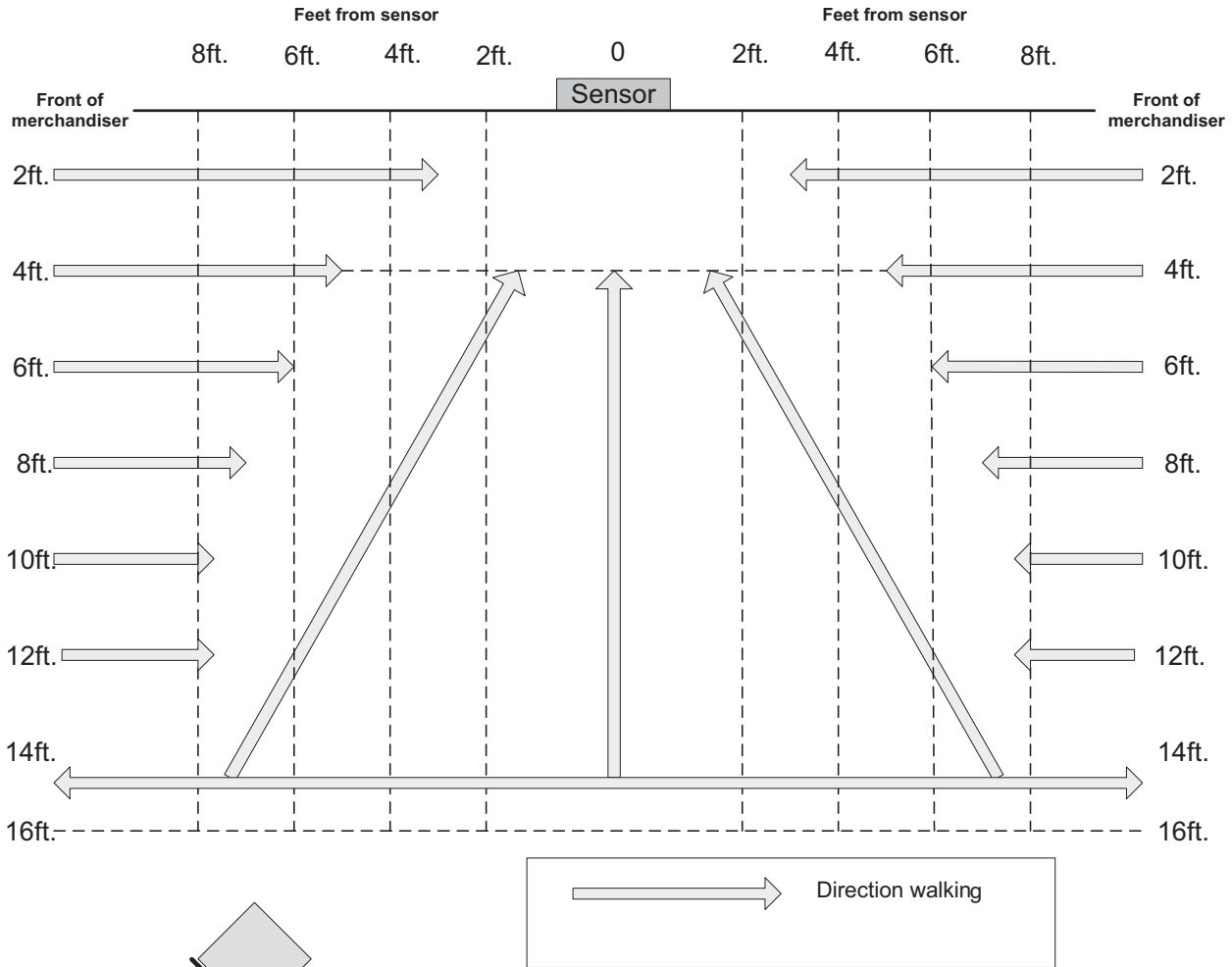
**TROUBLE SHOOTING
GUIDE**

Problem	What to Check for	Possible Causes	Solution / Action
Case LEDs stay at 100% after one and a half minutes of operation.	LED Indicator on Motion Detector is "ON." Dimmer Control LED Indicator is lit.	Dimmer Control has a startup delay of about one and a half minutes, and the Motion Sensor had not warmed up.	Wait more than two minutes for Motion Sensor to dim to programmed setting on Dimmer Control.
Case LEDs stay at 100%.	LED Indicator on Motion Detector is "ON." Dimmer Control LED Indicator is lit.	Sensor sensing motion.	Ensure all objects remain motionless in the view of Motion Detector for more than 30 seconds.
Case LEDs stay at 100%.	LED Indicator on Motion Detector is "ON." Dimmer Control LED Indicator is lit.	Switch on Motion Detector is in the "ON" position, bypassing the Dimmer Control.	Move Motion Detector switch to "DIM" position.
Case LEDs stay at 100%.	LED Indicator on Motion Detector is "ON." Dimmer Control LED Indicator is lit.	Dimmer Control is wired backwards.	Wire Power Supply to the Dimmer Control input and the LEDs to the Dimmer Control output.
Case LEDs stay at 100%.	LED Indicator on Motion Detector is "OFF." Dimmer Control LED Indicator is lit.	RJ-11 connector is not properly seated or bad RJ-11 Connector Cord.	Install new RJ-11 Connector Cord.
Case LEDs stay at 100%.	No motion is present. Dimmer Control LED Indicator flashes at 1-second interval.	Bad Dimmer Control.	Install new Dimmer Control.
Case LEDs stay at dimmed level.	Motion Detector detects no motion. LED Indicator on Motion Detector is "OFF." Dimmer Control LED Indicator flashes at 1-second interval.	Bad Motion Detector.	Install new Motion Detector.

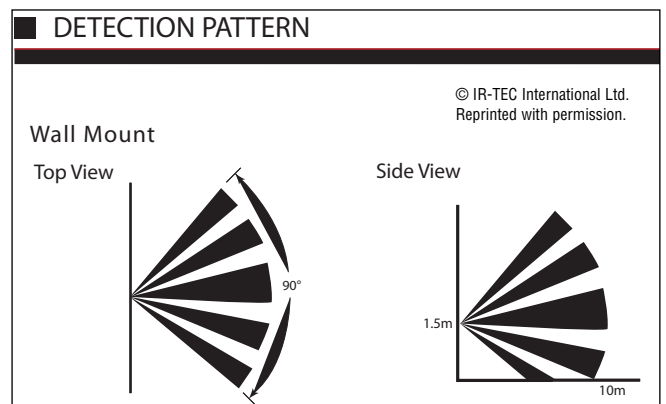
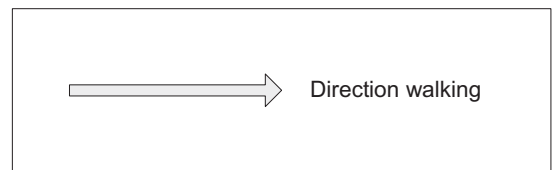
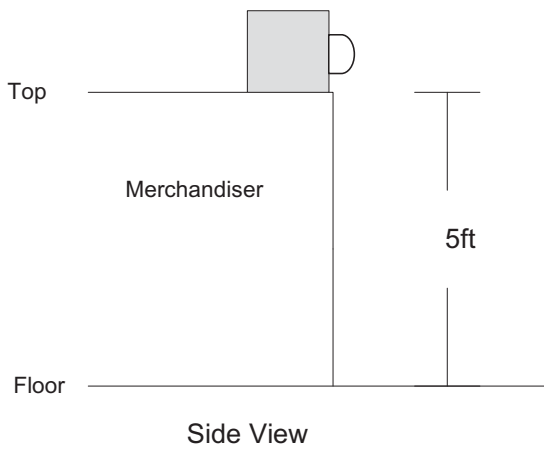
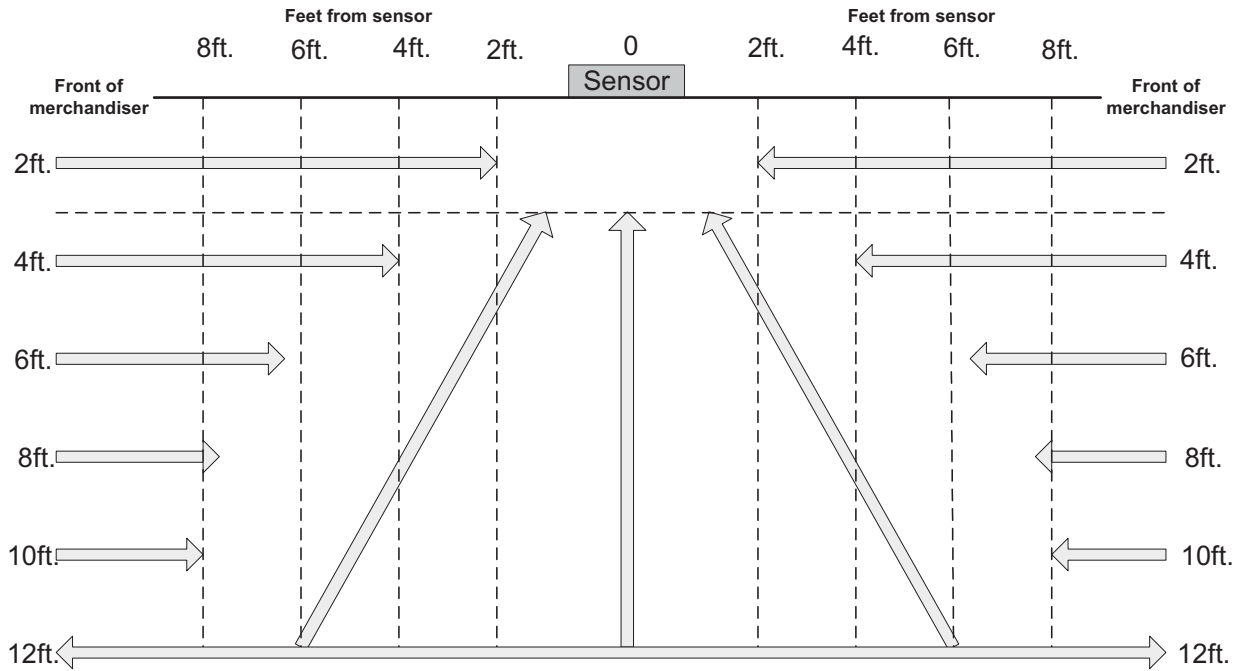
Motion sensor range when mounted on an 8ft. merchandiser at a 45° angle



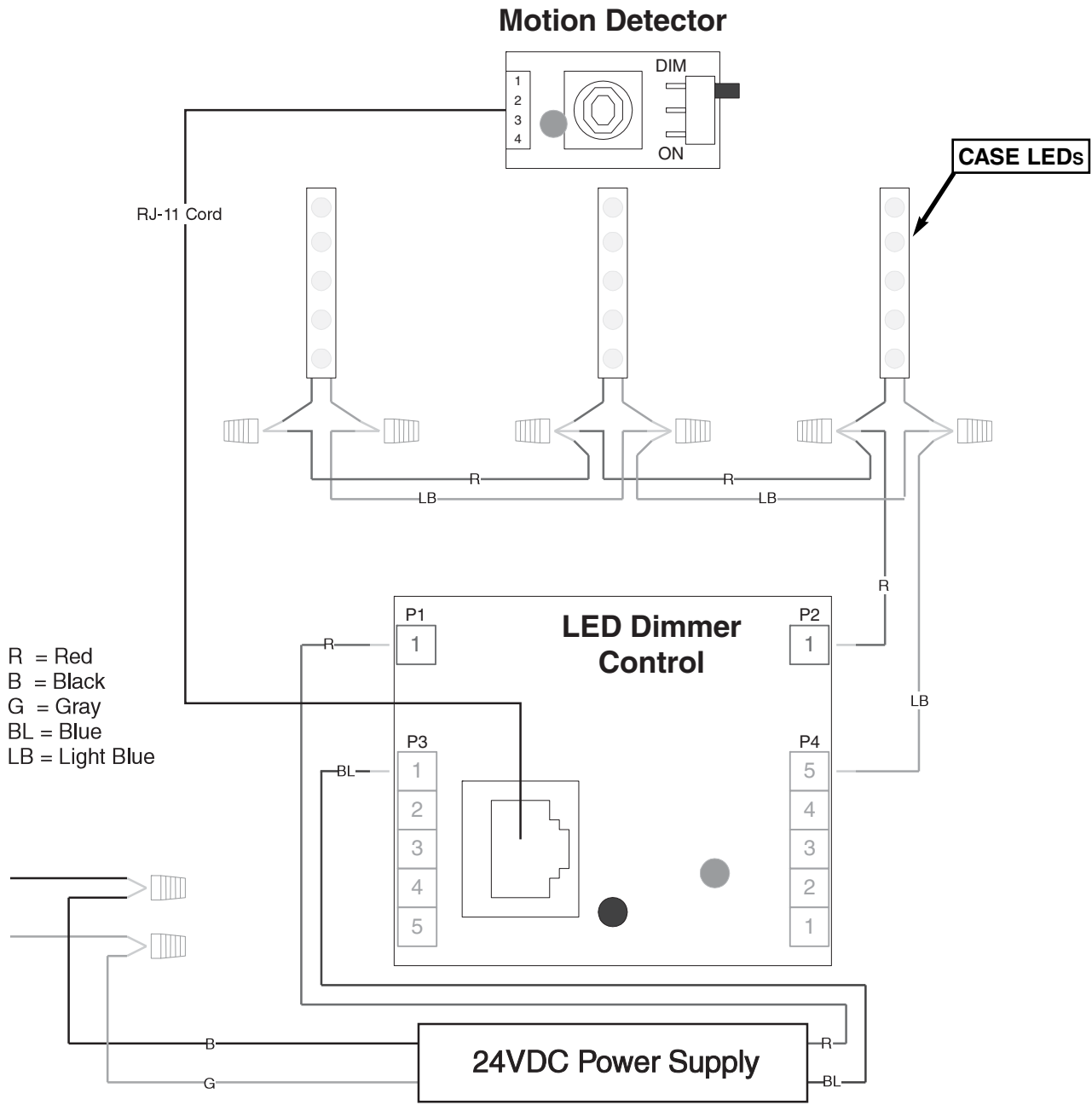
Motion sensor range when mounted on a 8ft. curved top merchandiser at a 45° angle



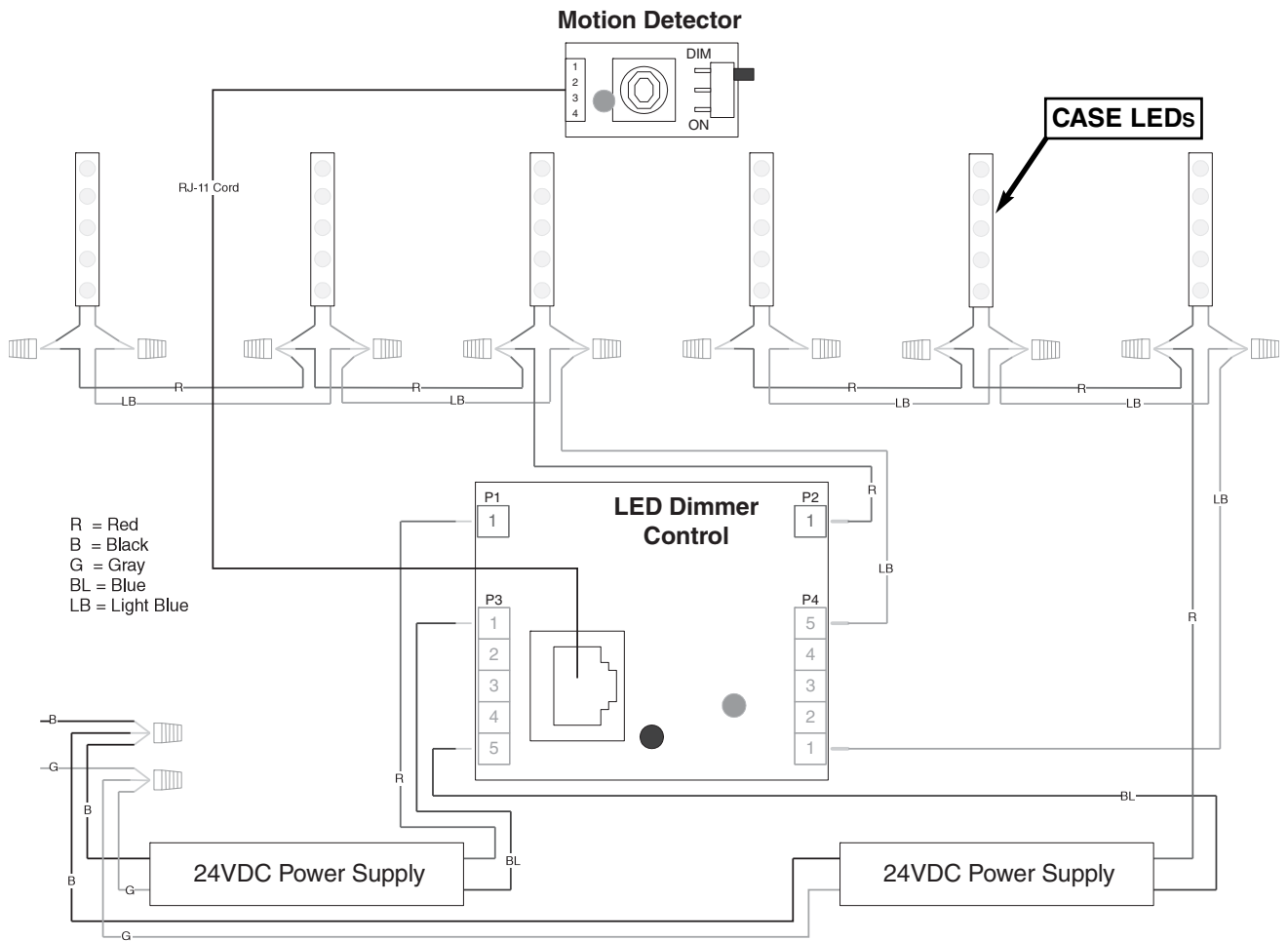
Motion sensor range when mounted on a 5ft. merchandiser facing straight ahead



RL WITH ONE POWER SUPPLY



RL WITH TWO POWER SUPPLIES



MULTI-DECK MERCHANDISERS

